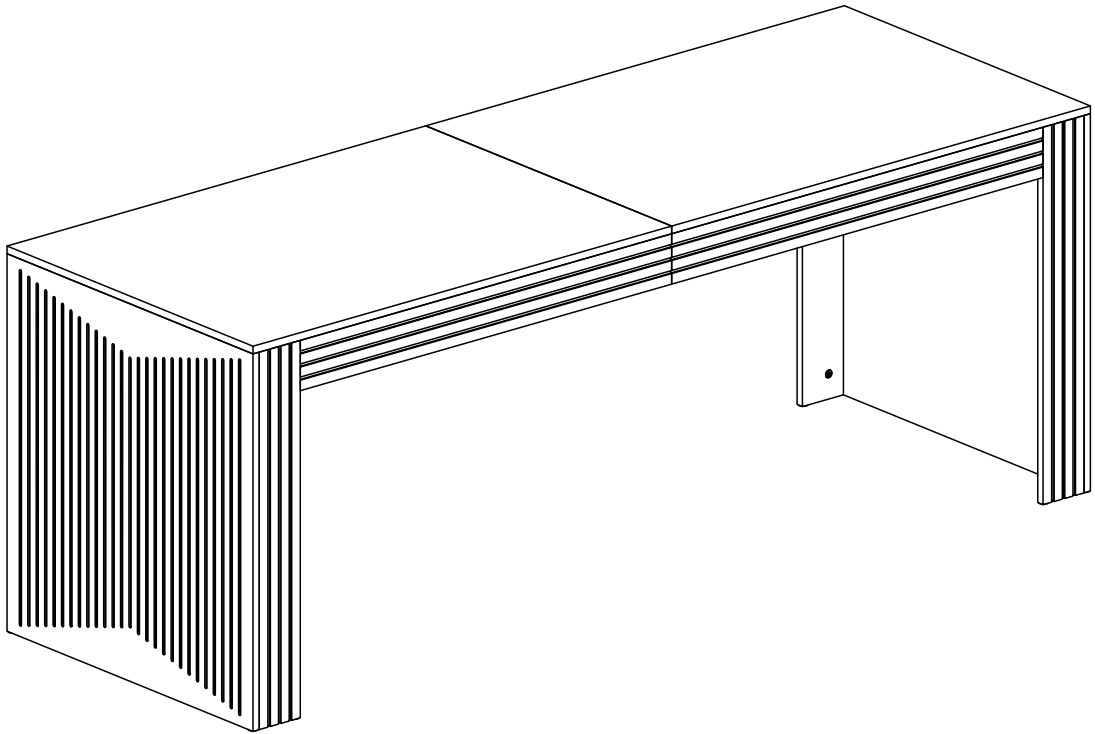
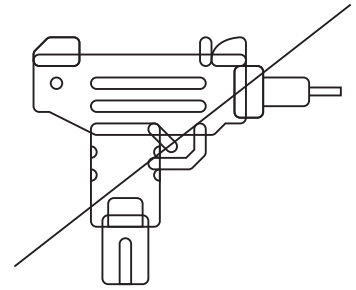
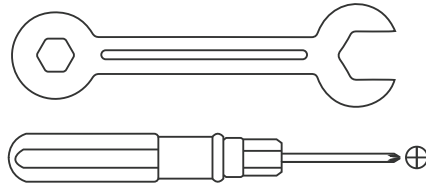
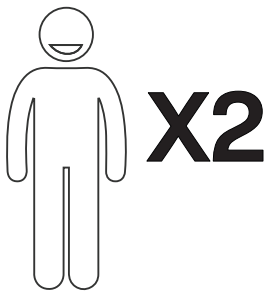


# Assembly Instructions

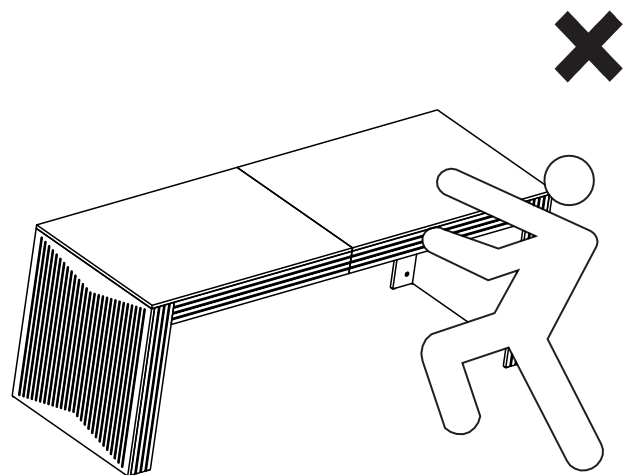
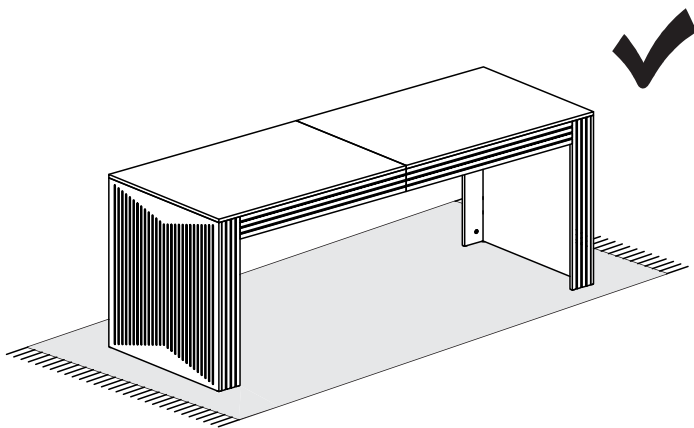
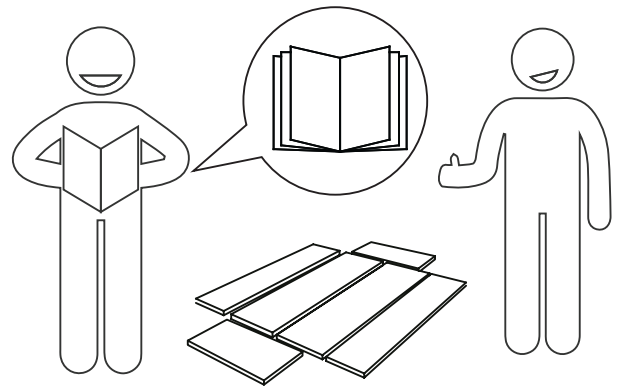
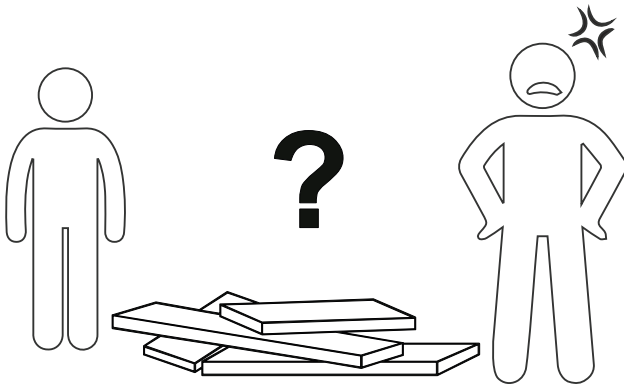


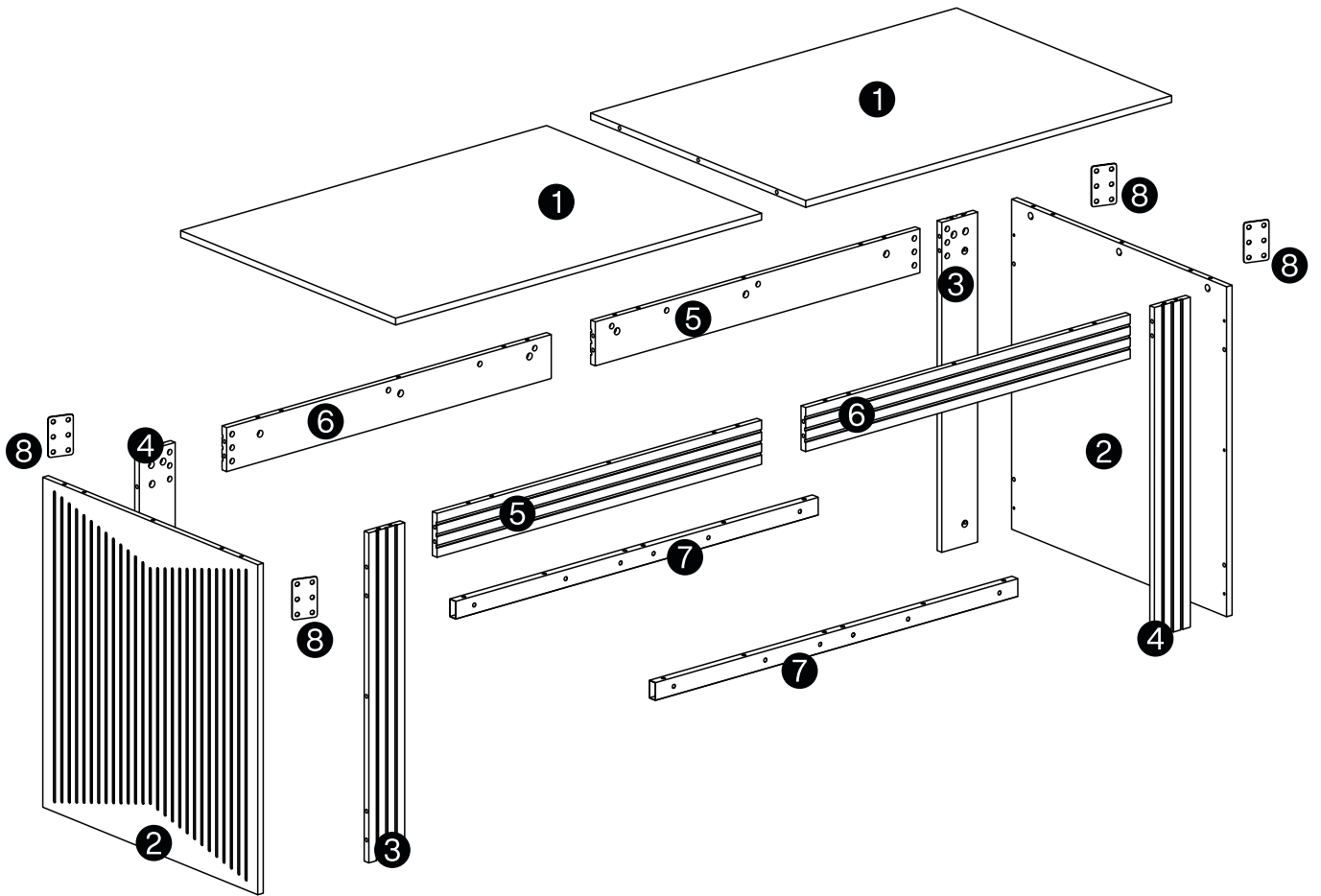


We recommend using hand tools for assembly.

If an electric screwdriver is used, reduce power and torque to avoid damage to the product.

---

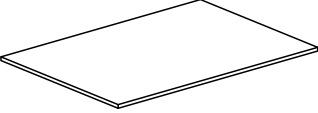
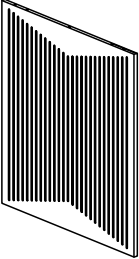

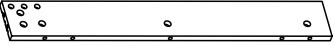
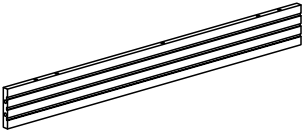
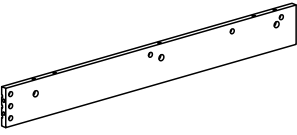
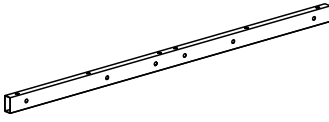
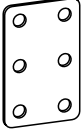










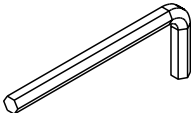


**⚠ Caution**

Make sure all parts are included. Most board parts are labeled or stamped on the raw edge. Contact us for a free replacement if you encounter any damaged or missing parts.

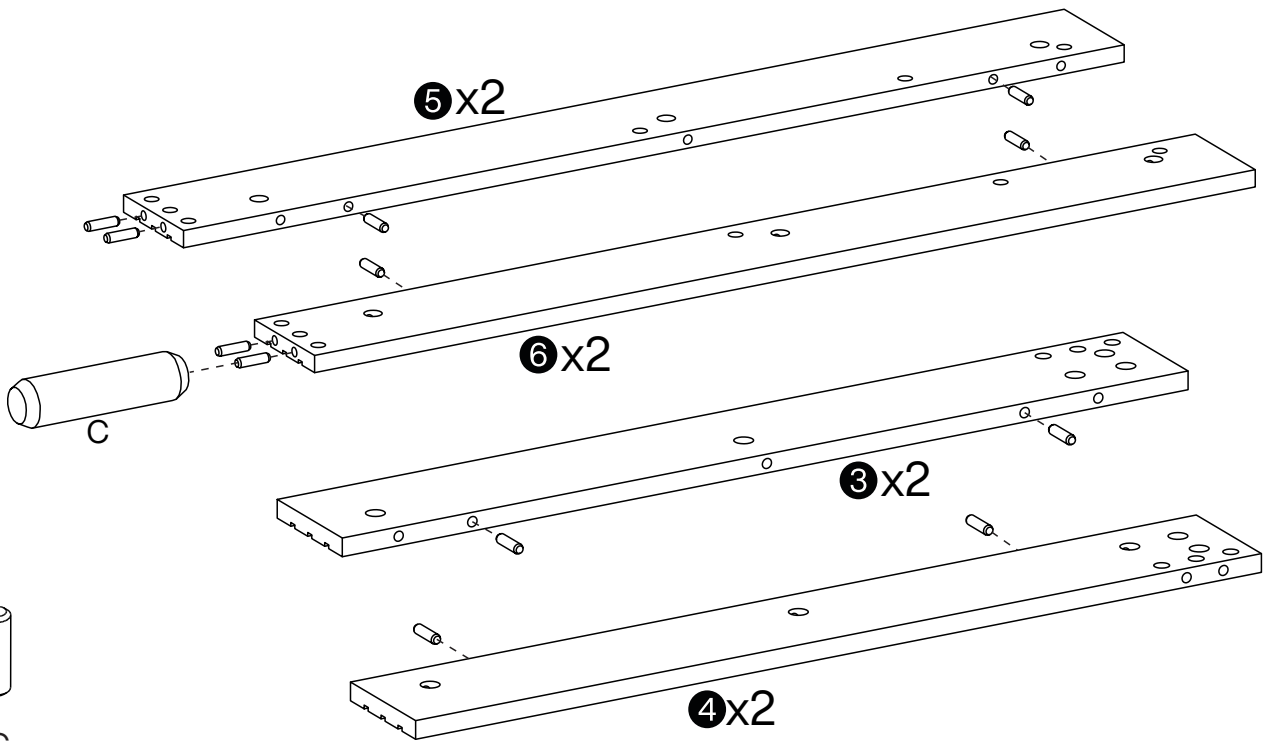
## Parts List

 <p><b>1</b> 2pcs</p>	 <p><b>2</b> 2pcs</p>	 <p><b>3</b> 2pcs</p>	 <p><b>4</b> 2pcs</p>
 <p><b>5</b> 2pcs</p>	 <p><b>6</b> 2pcs</p>	 <p><b>7</b> 2pcs</p>	 <p><b>8</b> 4pcs</p>

## Hardware List

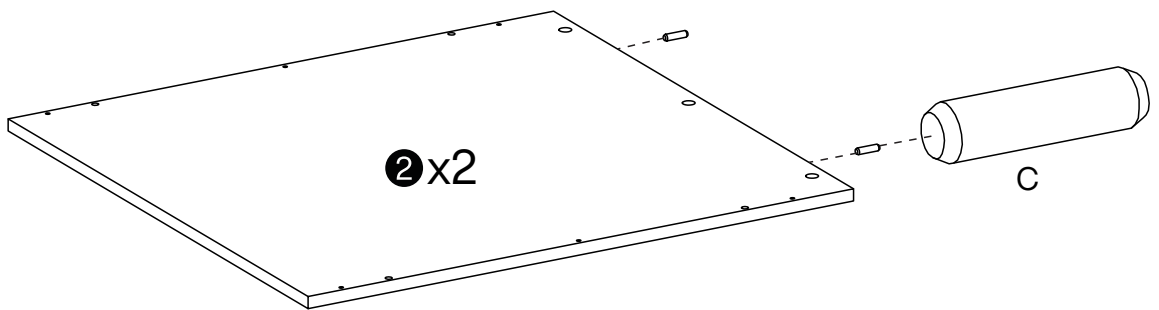
 <p>Ø6x45 mm</p> <p><b>A</b></p> <p>38 pcs + 2pcs</p>	 <p>Ø15x12 mm</p> <p><b>B</b></p> <p>38 pcs + 2pcs</p>	 <p>Ø8x30 mm</p> <p><b>C</b></p> <p>35 pcs + 2pcs</p>	 <p>M6x12 mm</p> <p><b>D</b></p> <p>28 pcs + 2pcs</p>	 <p>M6x30 mm</p> <p><b>E</b></p> <p>12 pcs + 1pc</p>	 <p>M6x50 mm</p> <p><b>F</b></p> <p>12 pcs + 1pc</p>
 <p>4 mm</p> <p><b>G</b></p> <p>1pc</p>	 <p><b>H</b></p> <p>8 pcs</p>	 <p><b>I</b></p> <p>2 pcs</p>			

1



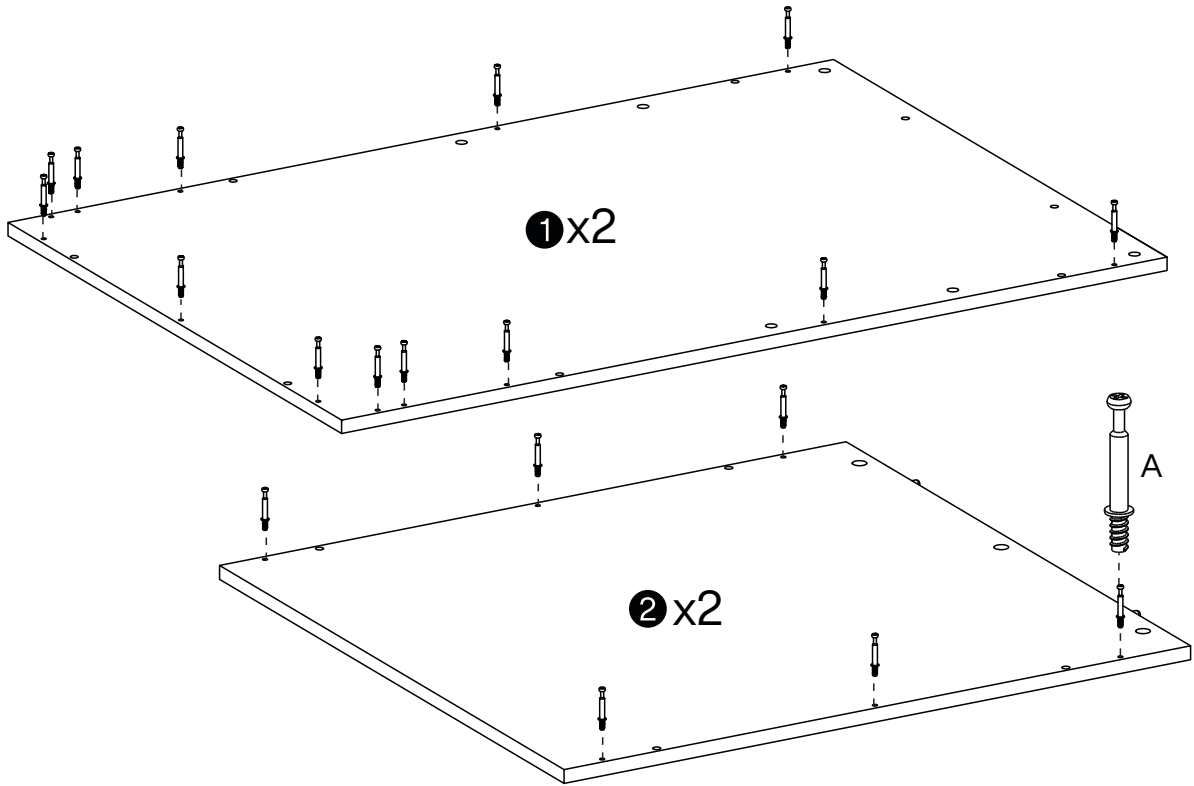
C  
24 pcs

2



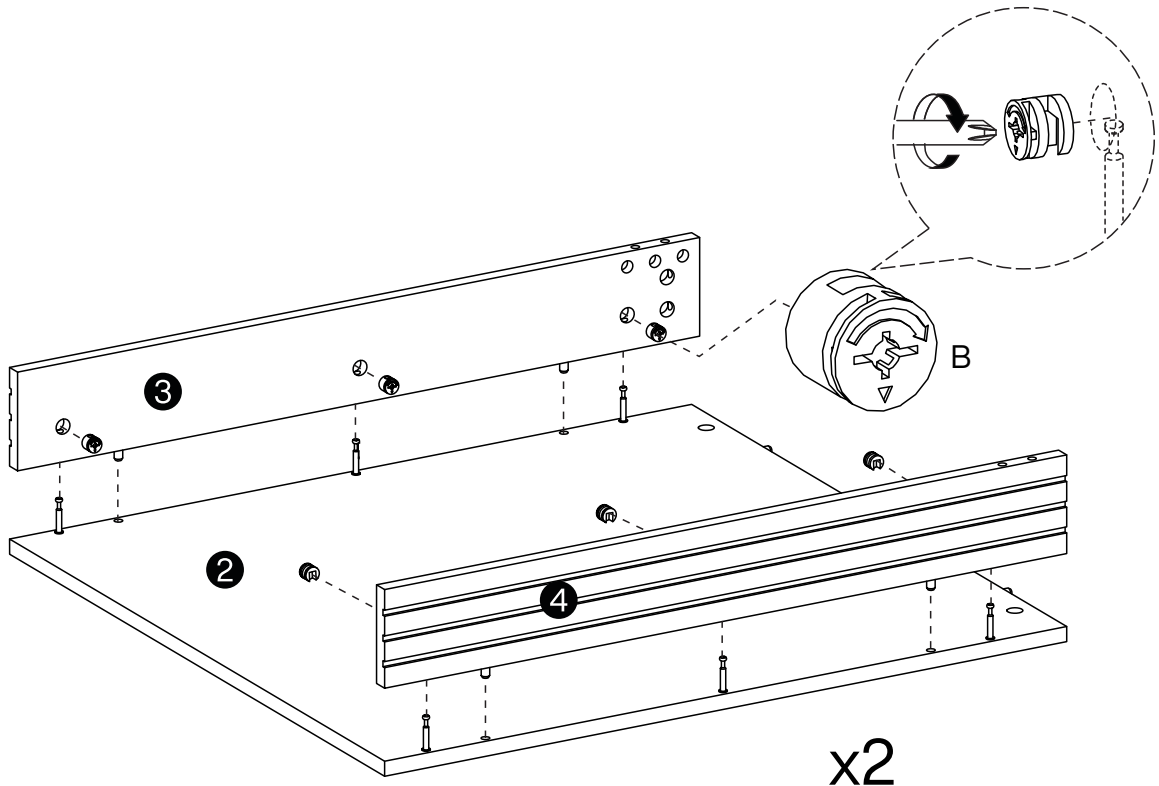
C  
4 pcs

**3**



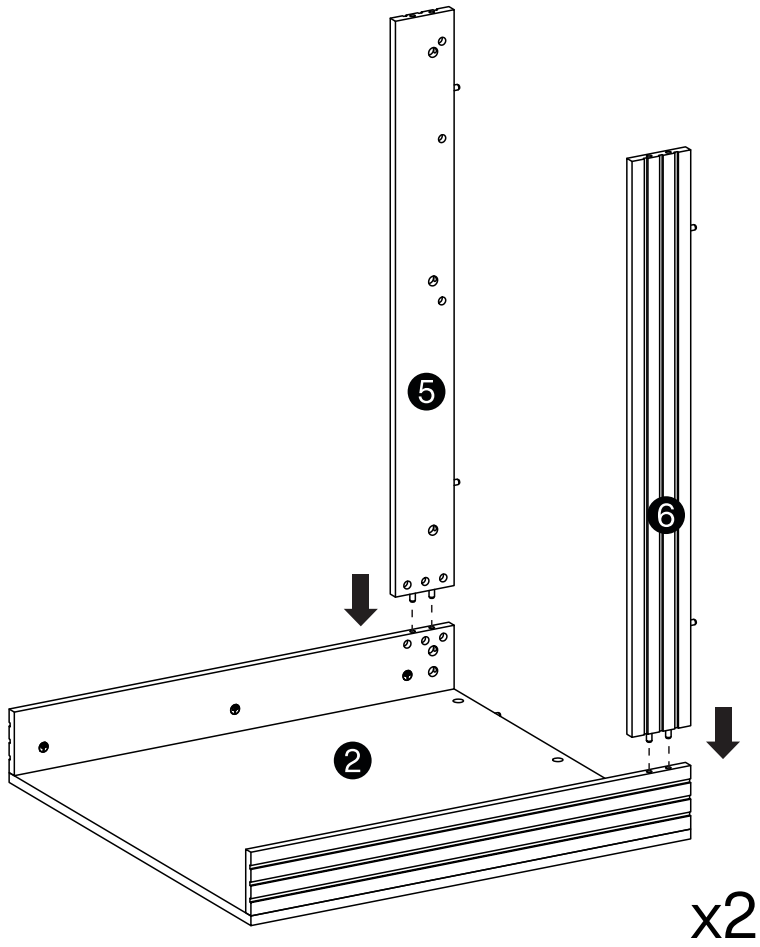
A  
38 pcs

**4**

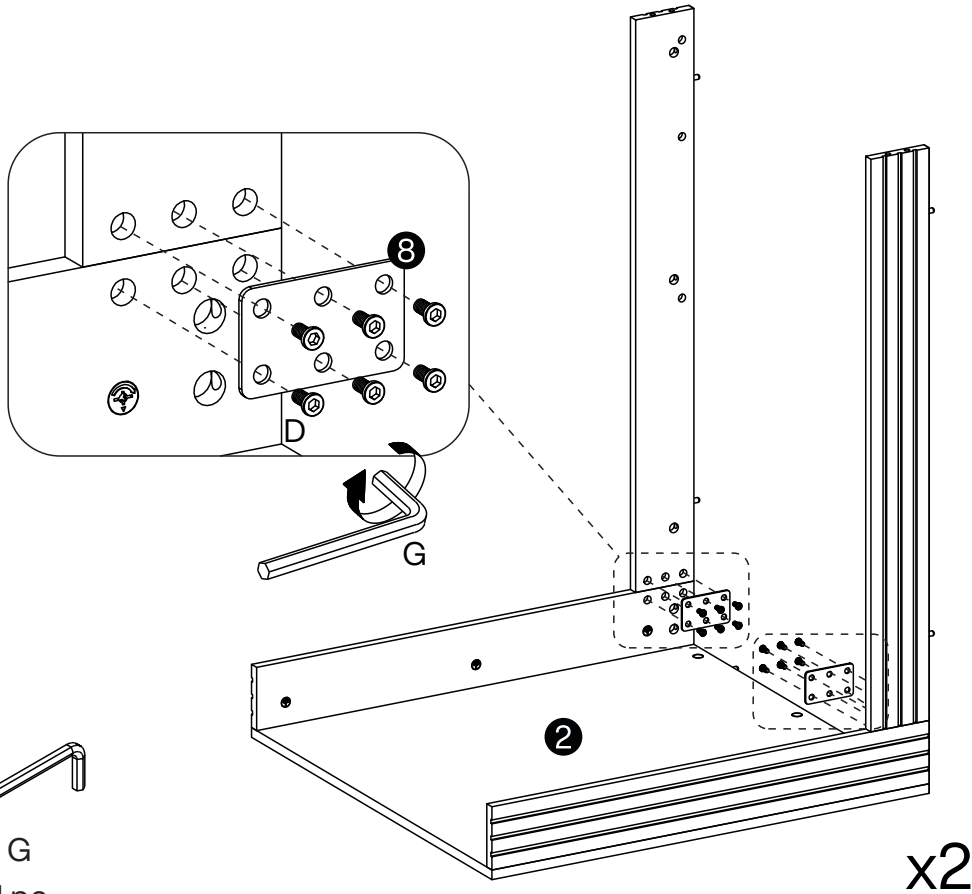


B  
12 pcs

5

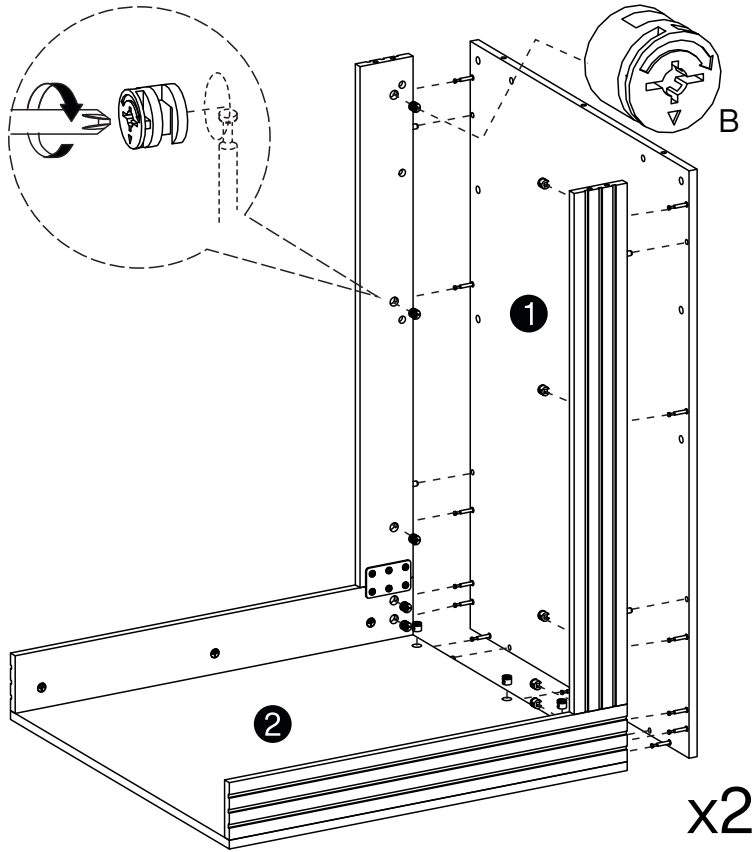


6



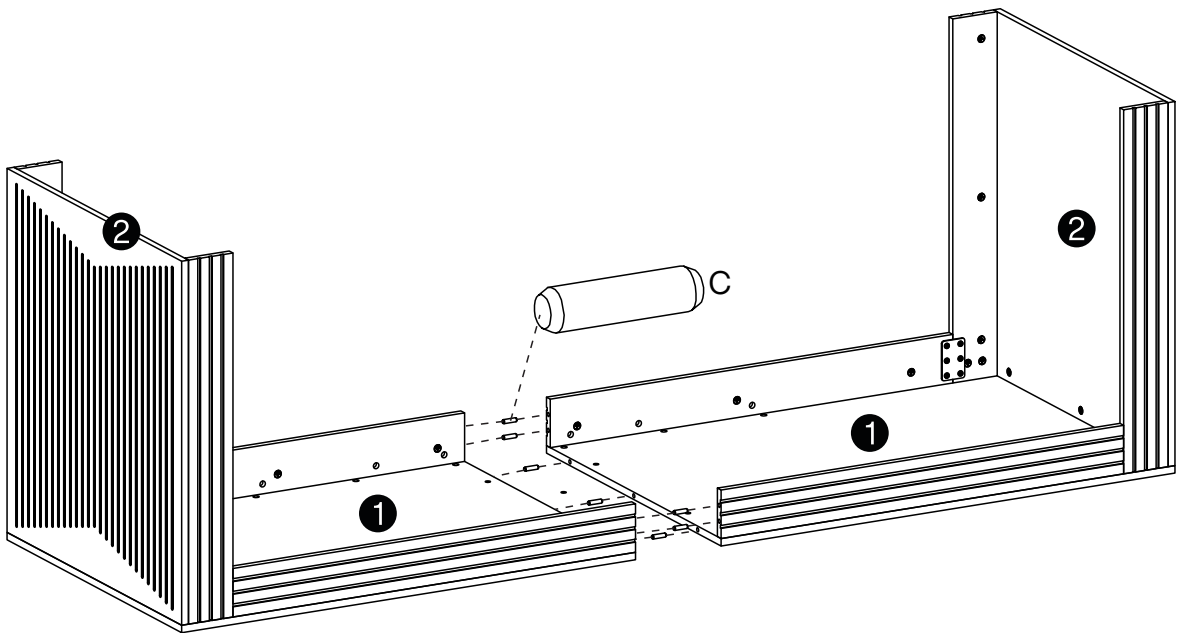
- D 24 pcs
- G 1 pc

7



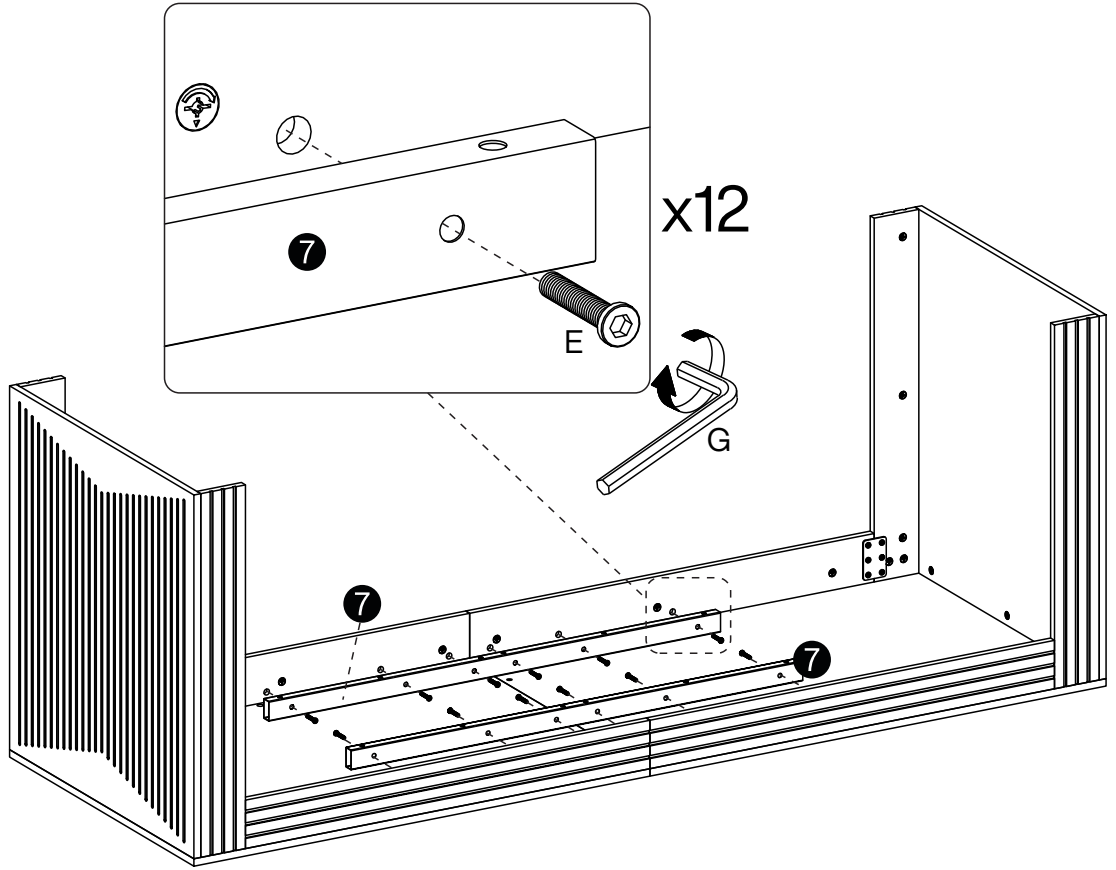
B  
26 pcs

8



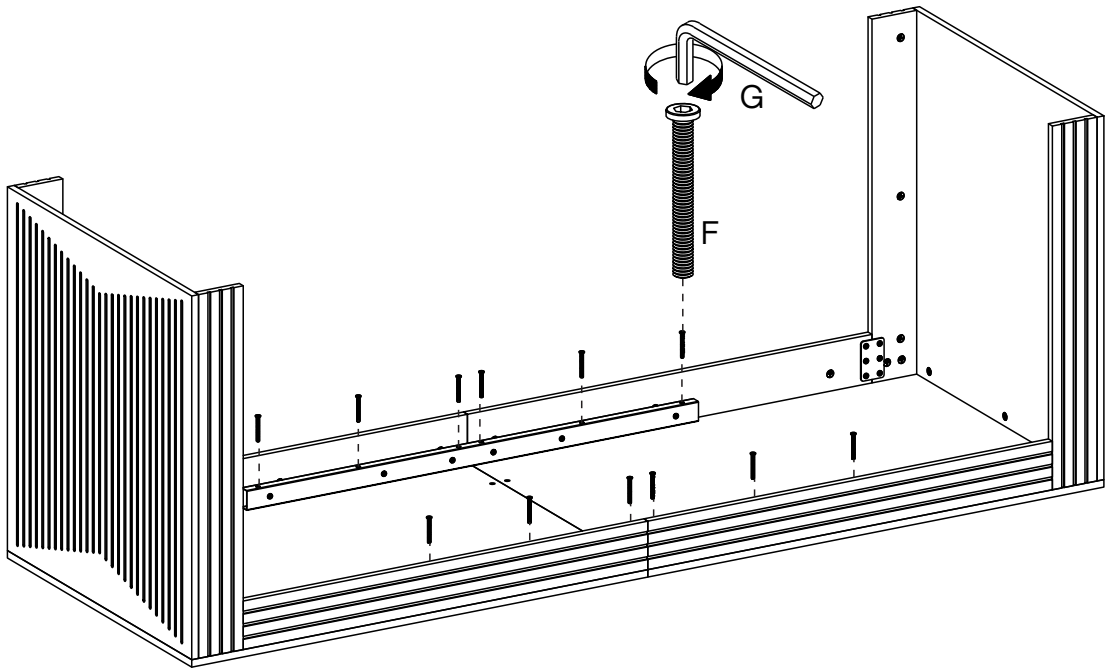
C  
7 pcs

9



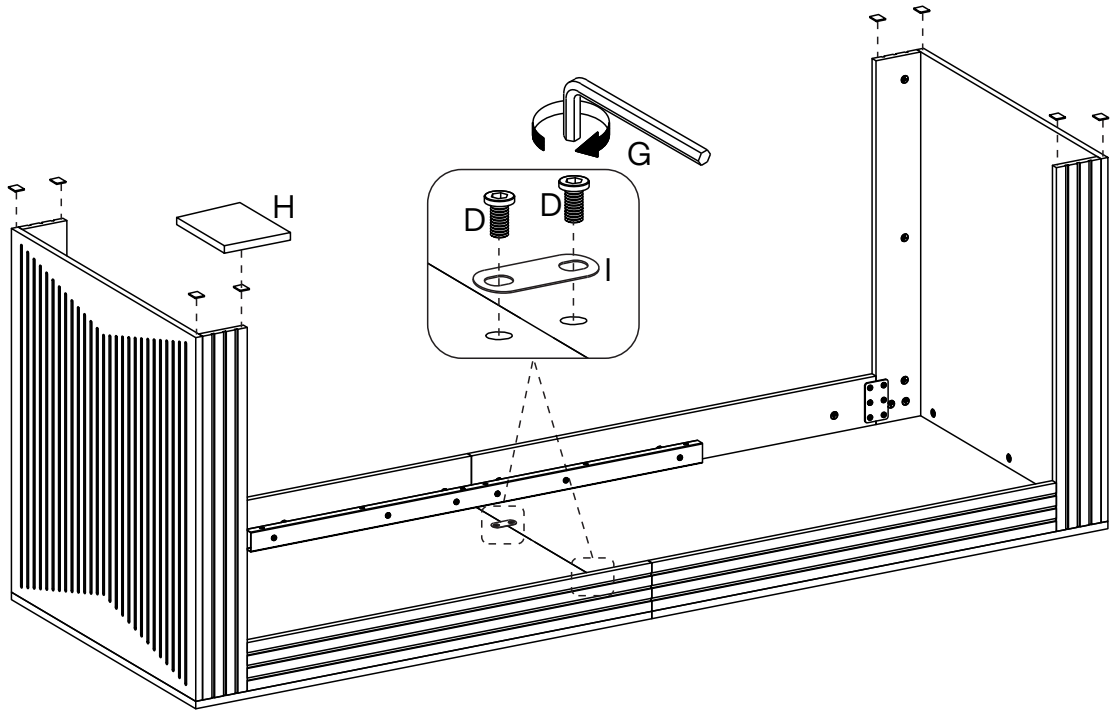
- E  
12 pcs
- G  
1 pc





10



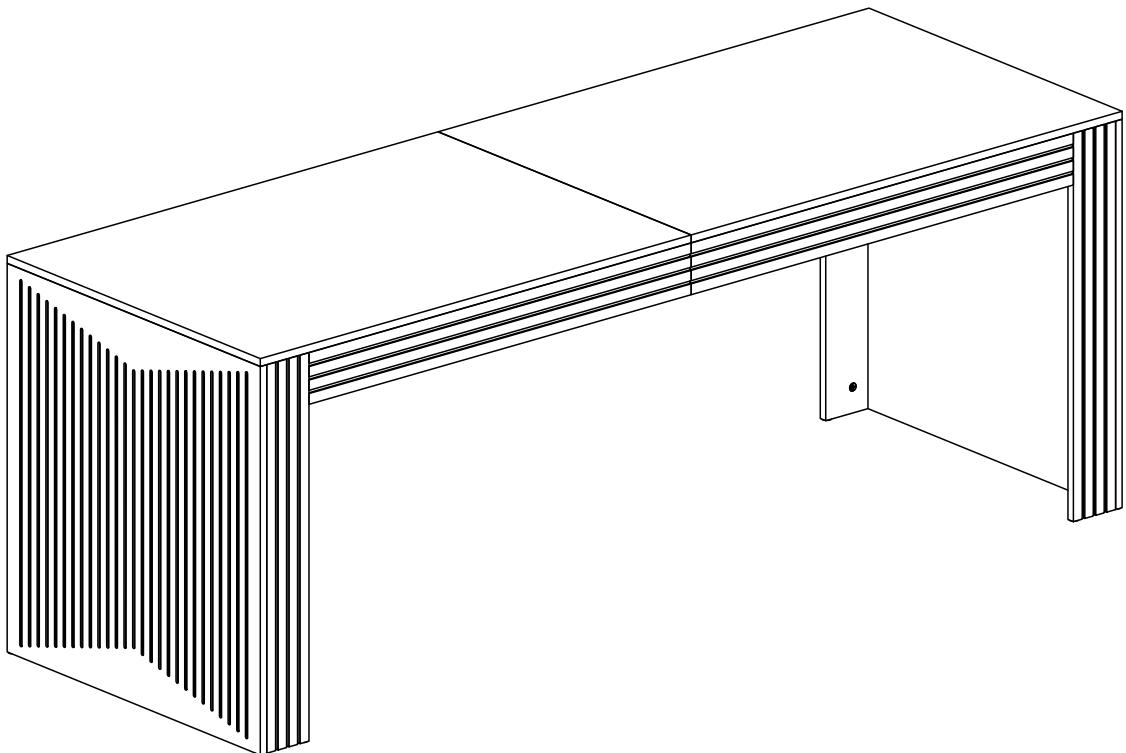
- F  
12 pcs
- G  
1 pc

11



-  D  
4 pcs
-  G  
1 pc
-  H  
8 pcs
-  I  
2 pcs

12



**Thank you for your support!**

