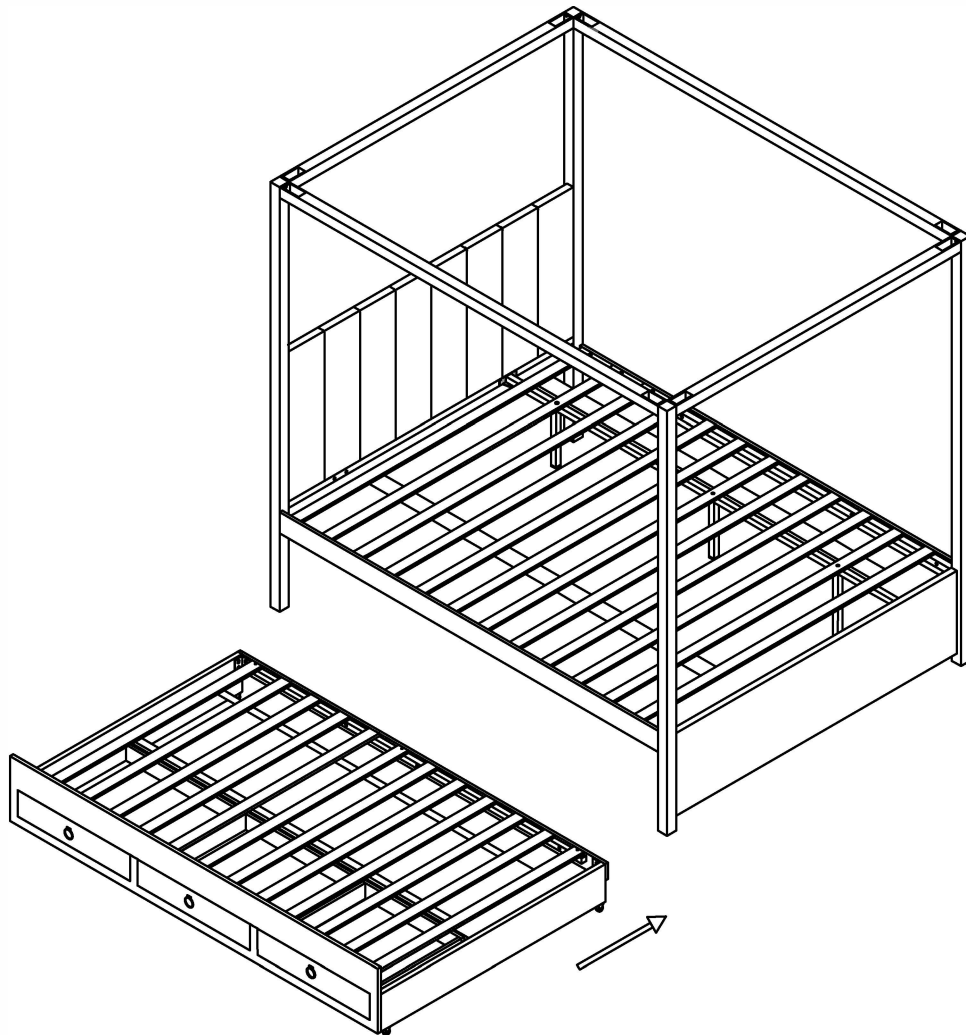
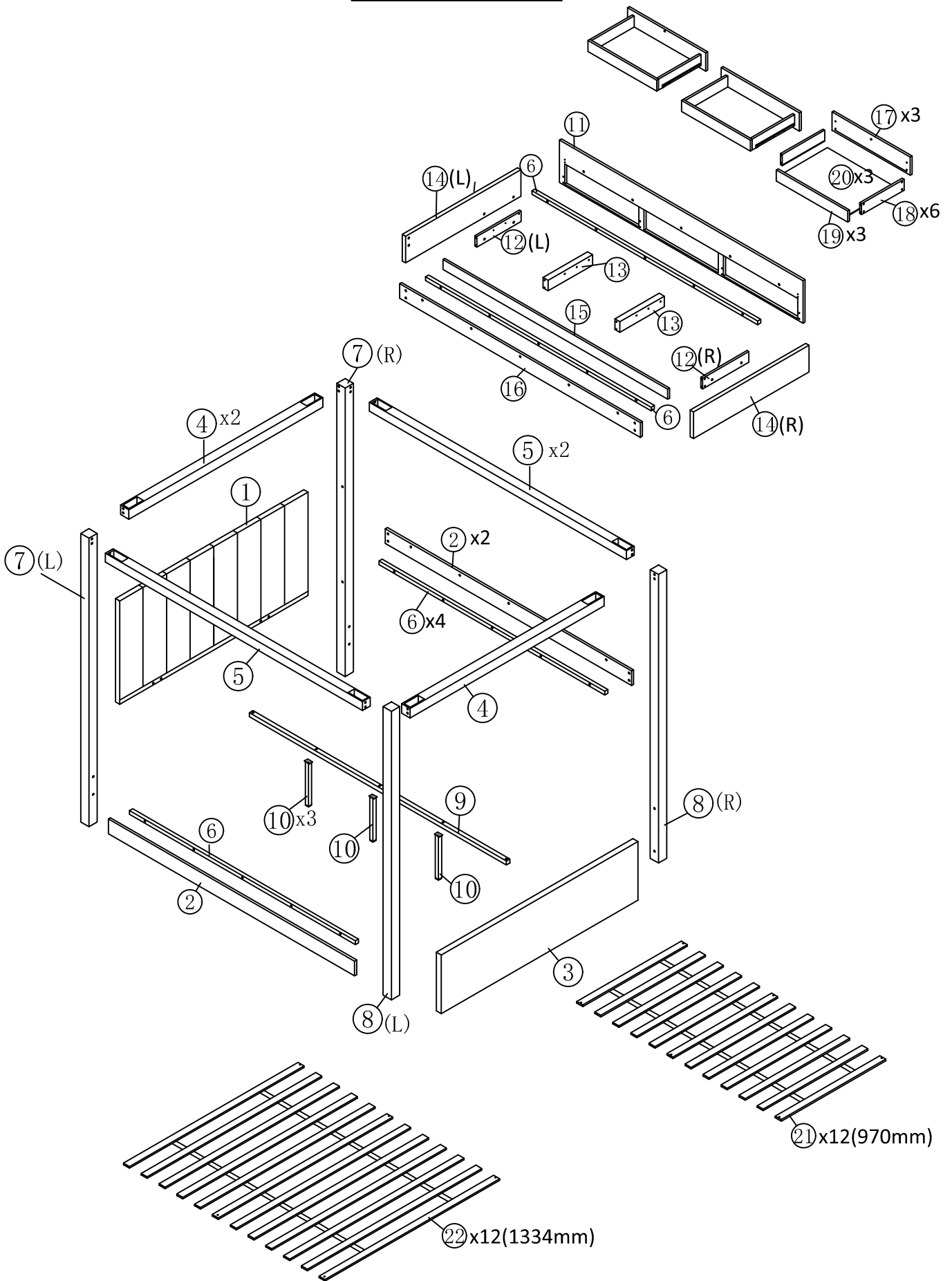


# ASSEMBLY INSTRUCTION


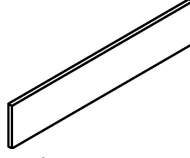
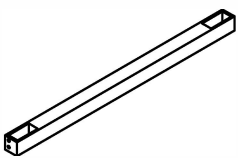

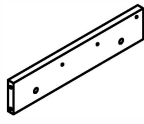
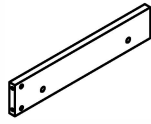
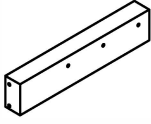
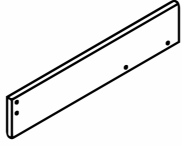
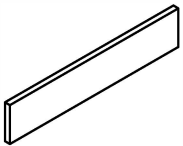
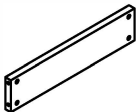
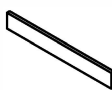
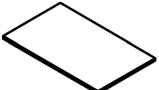
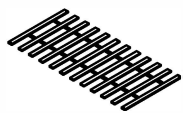
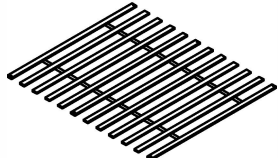


# Detail View

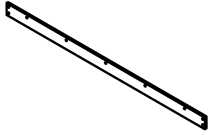
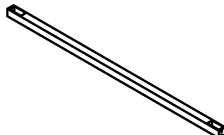
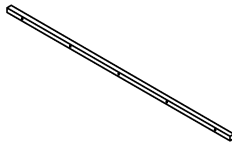





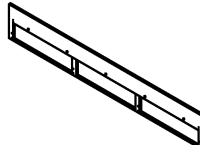

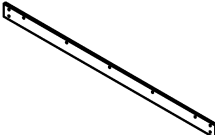



# Part List




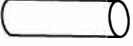












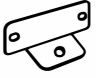




## Hardware List

<p><b>1</b></p>  <p>Head board-1pc</p>	<p><b>3</b></p>  <p>Foot board-1pc</p>	<p><b>4</b></p>  <p>Top cross bar-2pcs</p>
<p><b>10</b></p>  <p>Support leg-3pcs</p>	<p><b>12L</b></p>  <p>Bottom bed board-1pc</p>	<p><b>12R</b></p>  <p>Bottom bed board-1pc</p>
<p><b>13</b></p>  <p>Bottom bed board-2pcs</p>	<p><b>14L</b></p>  <p>Bottom bed board-1pc</p>	<p><b>14R</b></p>  <p>Bottom bed board-1pc</p>
<p><b>18</b></p>  <p>Drawer board-6pcs</p>	<p><b>19</b></p>  <p>Drawer board-3pcs</p>	<p><b>20</b></p>  <p>Drawer bottom board-3pcs</p>
<p><b>21</b></p>  <p>Slats(970mm)-12pcs</p>	<p><b>22</b></p>  <p>Slats(1334mm)-12pcs</p>	

# Part List

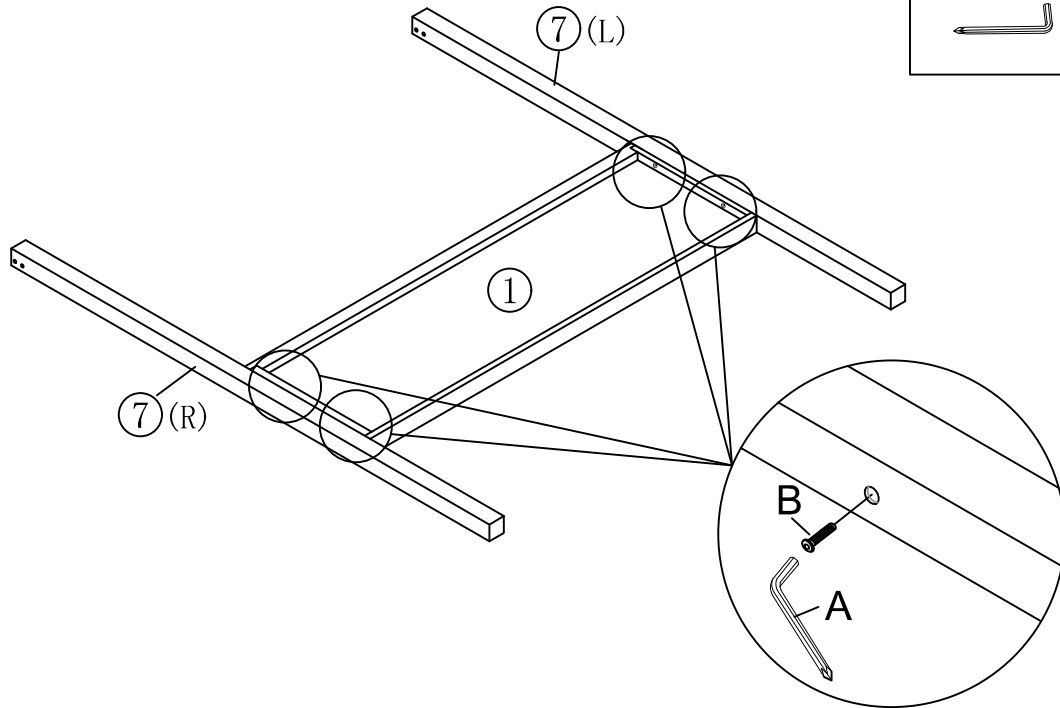
<p><b>2</b></p>  <p>Siderails-2pcs</p>	<p><b>5</b></p>  <p>Top vertical bar-2pcs</p>	<p><b>6</b></p>  <p>Side rails support bar-4pcs</p>
<p><b>7L</b></p>  <p>Headboard standing bar-1pc</p>	<p><b>7R</b></p>  <p>Headboard standing bar-1pc</p>	<p><b>8L</b></p>  <p>Footboard standing bar-1pc</p>
<p><b>8R</b></p>  <p>Footboard standing bar-1pc</p>	<p><b>9</b></p>  <p>Center support bar-1pc</p>	<p><b>11</b></p>  <p>Bottom bed board-1pc</p>
<p><b>15</b></p>  <p>Bottom bed board-1pc</p>	<p><b>16</b></p>  <p>Bottom bed board-1pc</p>	<p><b>17</b></p>  <p>Drawer outer board-3pcs</p>



# Hardware List

<b>A</b>  Allen Key(1pc)	<b>B</b>  Ø8*40mm Bolts(37pcs)	<b>C</b>  Ø8*18mm Bolts(28pcs)
<b>D</b>  M10 Wood chip(8pcs)	<b>E</b>  M8x60 Bolts(8pcs)	<b>F</b>  M8 Nuts(8pcs)
<b>G</b>  "7" Connector(6pcs)	<b>H</b>  Spanner(1pc)	<b>I</b>  Drawer fittings(40pcs)
<b>J</b>  Drawer fittings(40pcs)	<b>K</b>  Wheel(4pcs)	<b>L</b>  Ø3*16mm Nails(44pcs)
<b>M</b>  Ø3*25mm Nails(8pcs)	<b>N</b>  Ø4*30mm Nails(12pcs)	<b>O</b>  Little "7" Connector(2pcs)
<b>P</b>  Ø5*20mm Bolts(3pcs)	<b>Q</b>  86*32*28*2mm Center support bar fittings(2pcs)	<b>R</b>  3pcsR/3pcsL Drawer track(6pcs)
<b>S</b>  3pcsR/3pcsL Drawer track(6pcs)	<b>T</b>  Drawer handle(3pcs)	<b>U</b>  M8 Washer(8pcs)

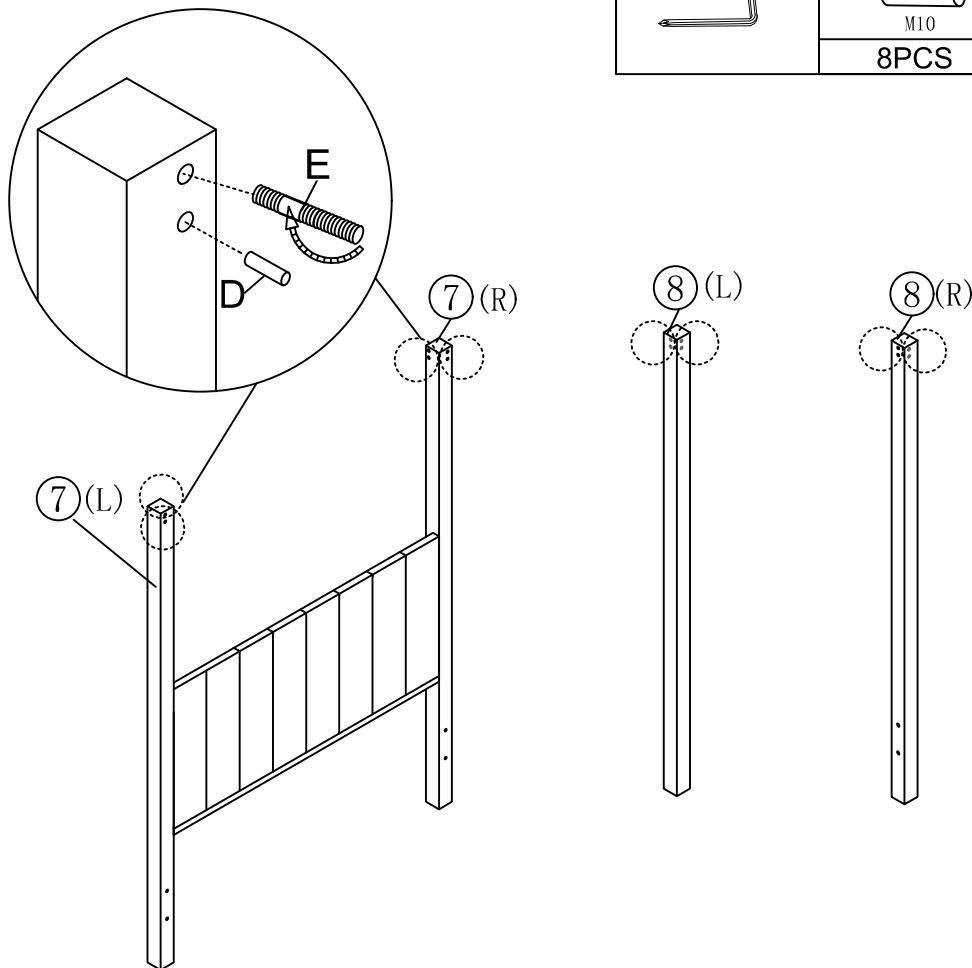
Remark: We recommend you assemble your bed in the flat ground.


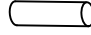

### Step 1



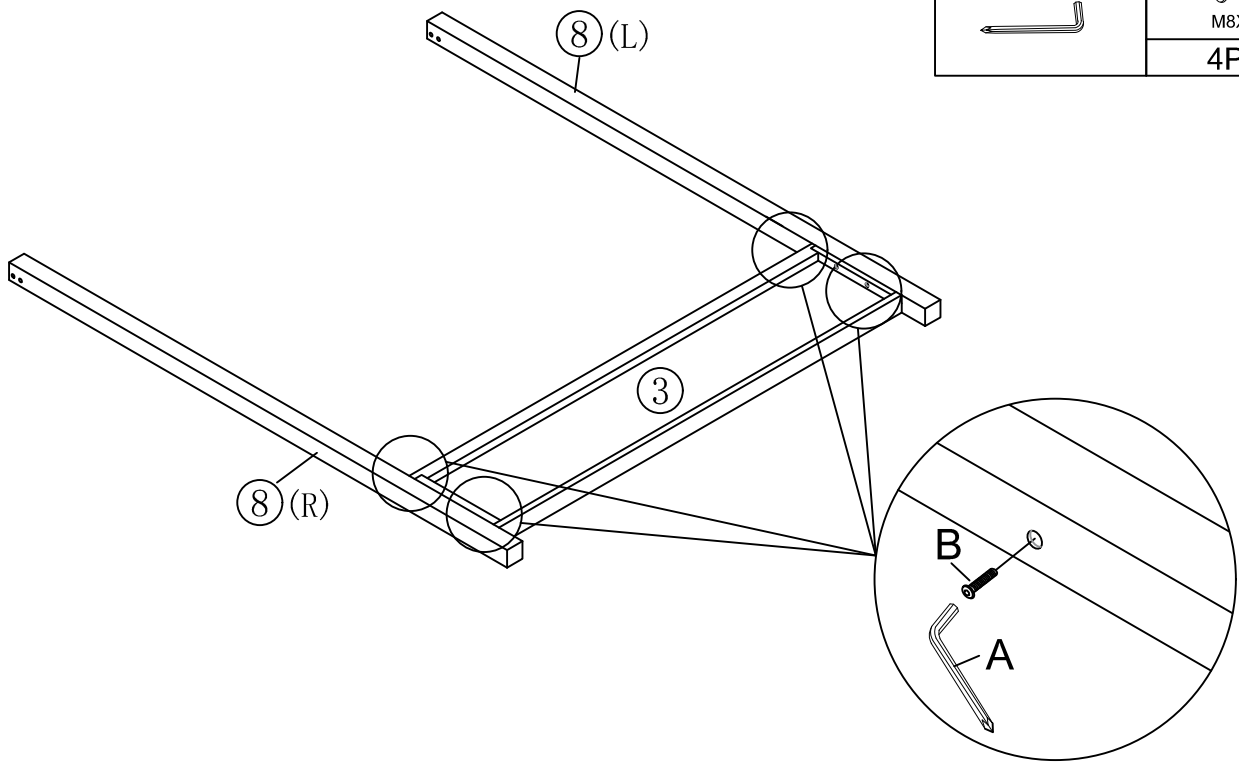
A	B
	 M8X40mm
	4PCS



### Step 2



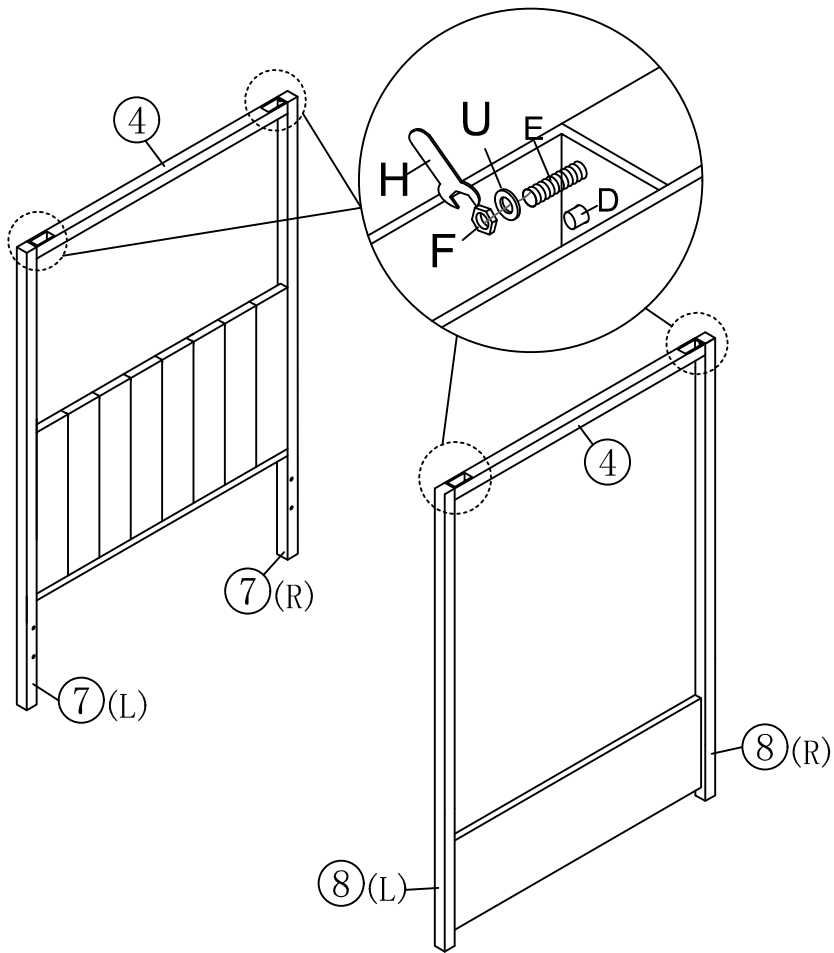
A	D	E
	 M10	 M8x60
	8PCS	8PCS




### Step 3





<p>A</p> 	<p>B</p>  M8X40mm <b>4PCS</b>
--	--

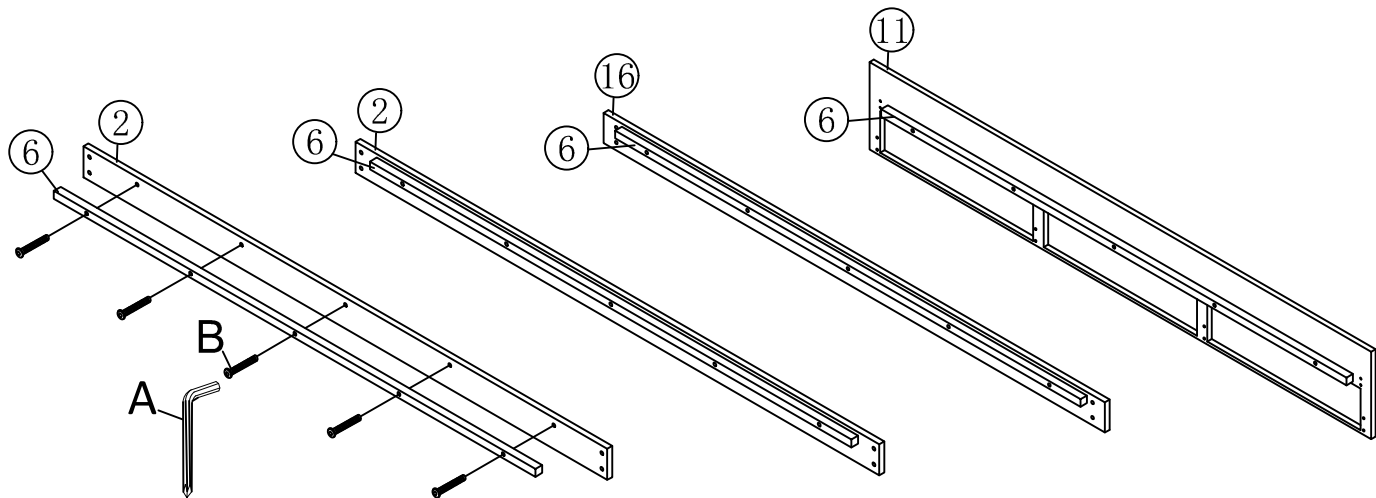
### Step 4






<p>H</p> 	<p>F</p>  M8 <b>4PCS</b>	<p>U</p>  M8 <b>4PCS</b>
---	---	---

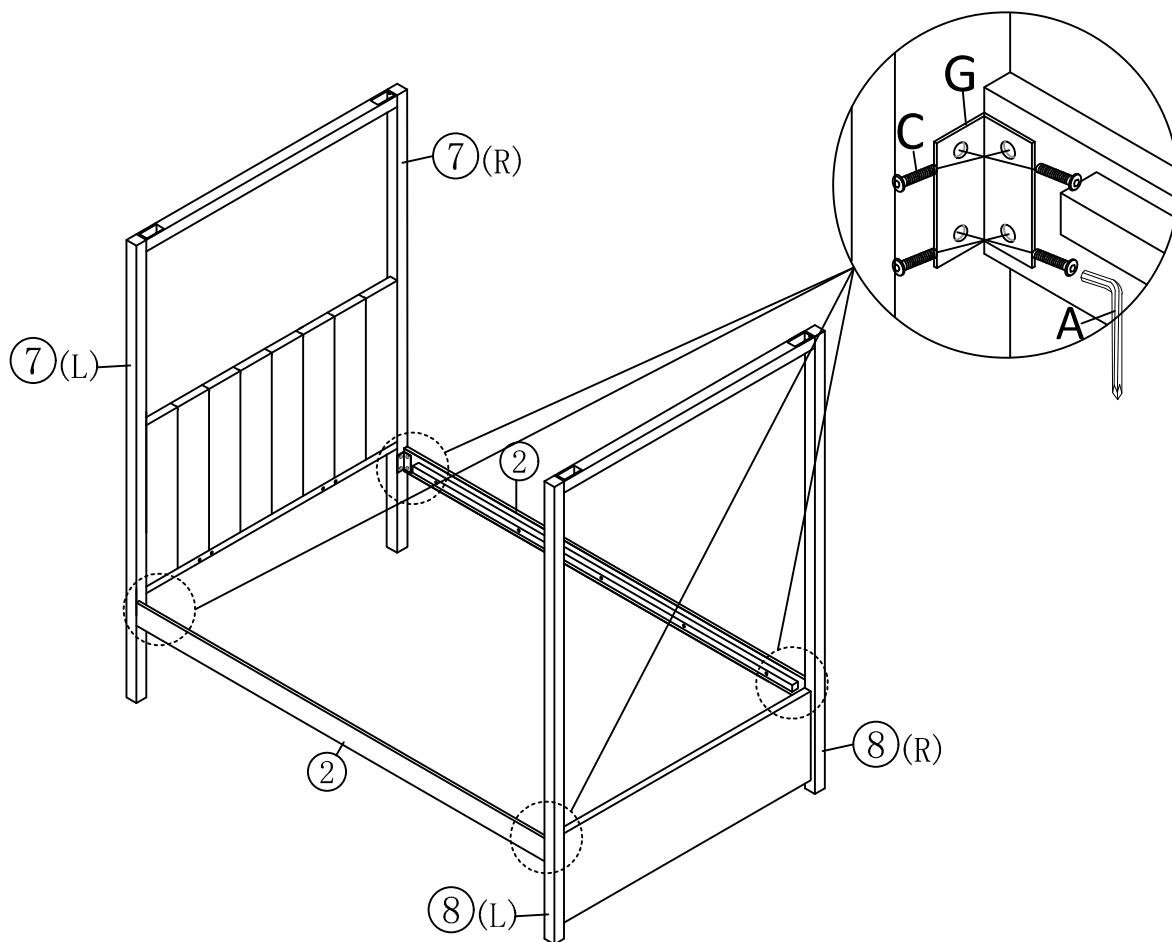
# Step 5

<p>A</p> 	<p>B</p>  <p>M8X40mm</p> <p>20PCS</p>
--	--

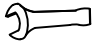




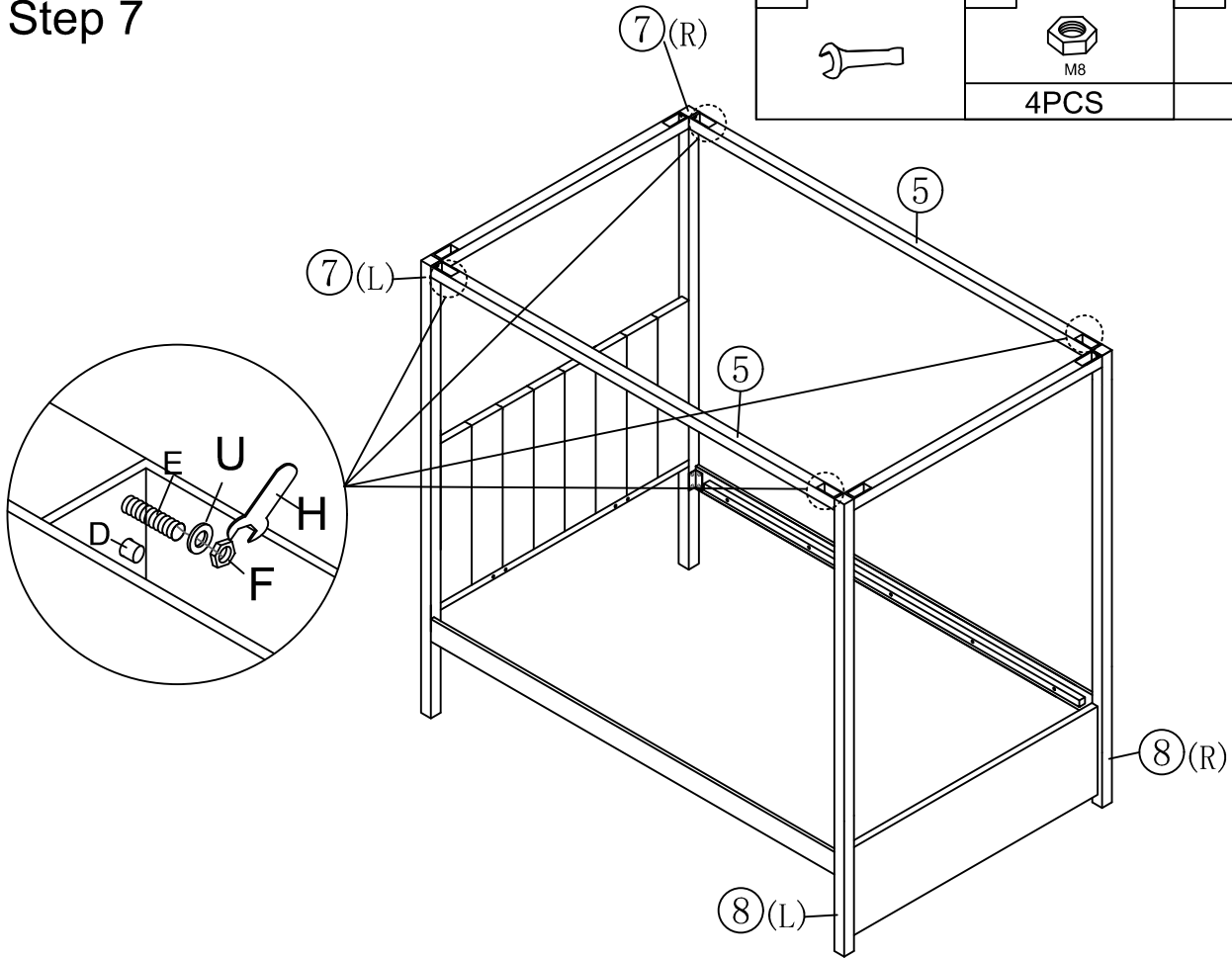
# Step 6

<p>A</p> 	<p>C</p>  <p>M8X18mm</p> <p>16PCS</p>	<p>G</p>  <p>4PCS</p>
---	--	--






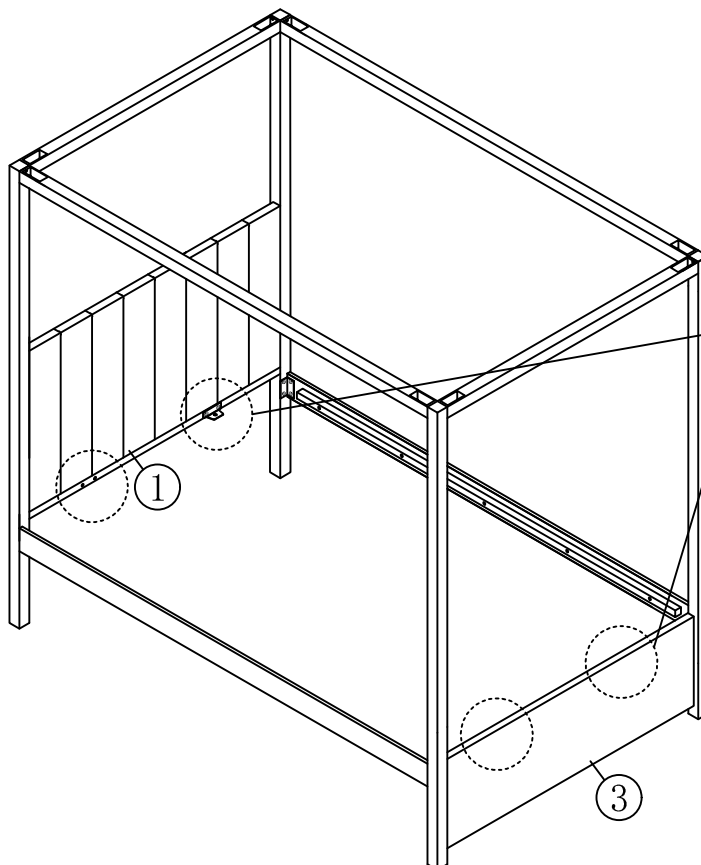
# Step 7

H	F	U
	 M8	 M8
	4PCS	4PCS



# Step 8

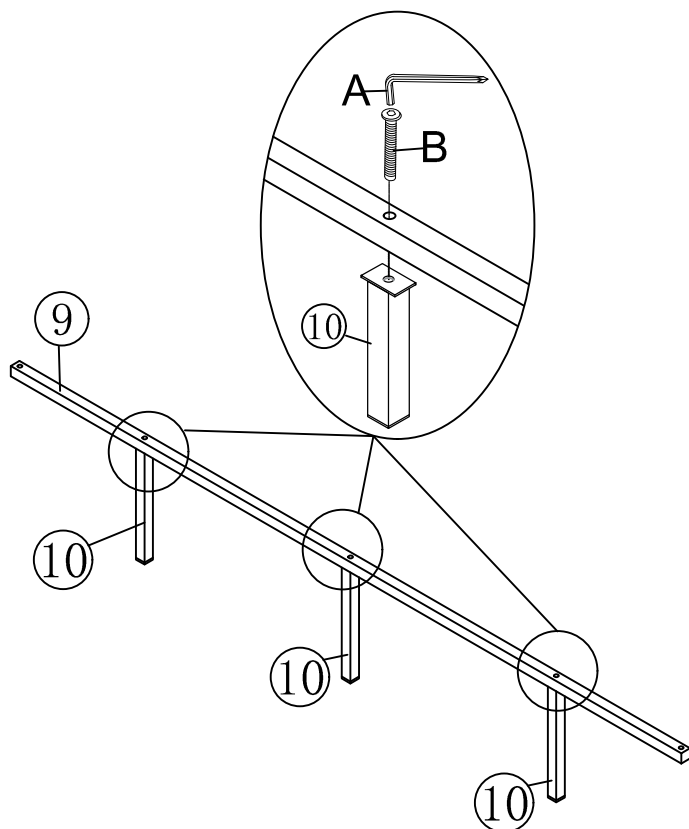
A	C	Q
	 M8X18mm	
	4PCS	2PCS


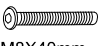


If you want to put the bottom bed on the right, you can choose the two pair holes on the left.

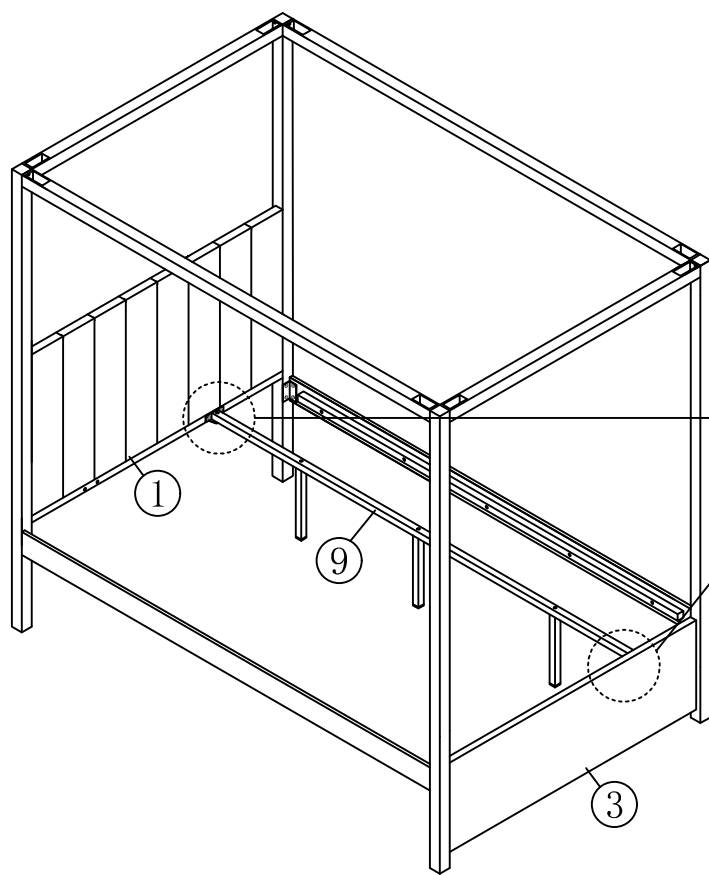
If you want to put the bottom bed on the left, you can choose the two pair holes on the right.


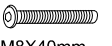
# Step 9






A	B
	 M8X40mm
3PCS	

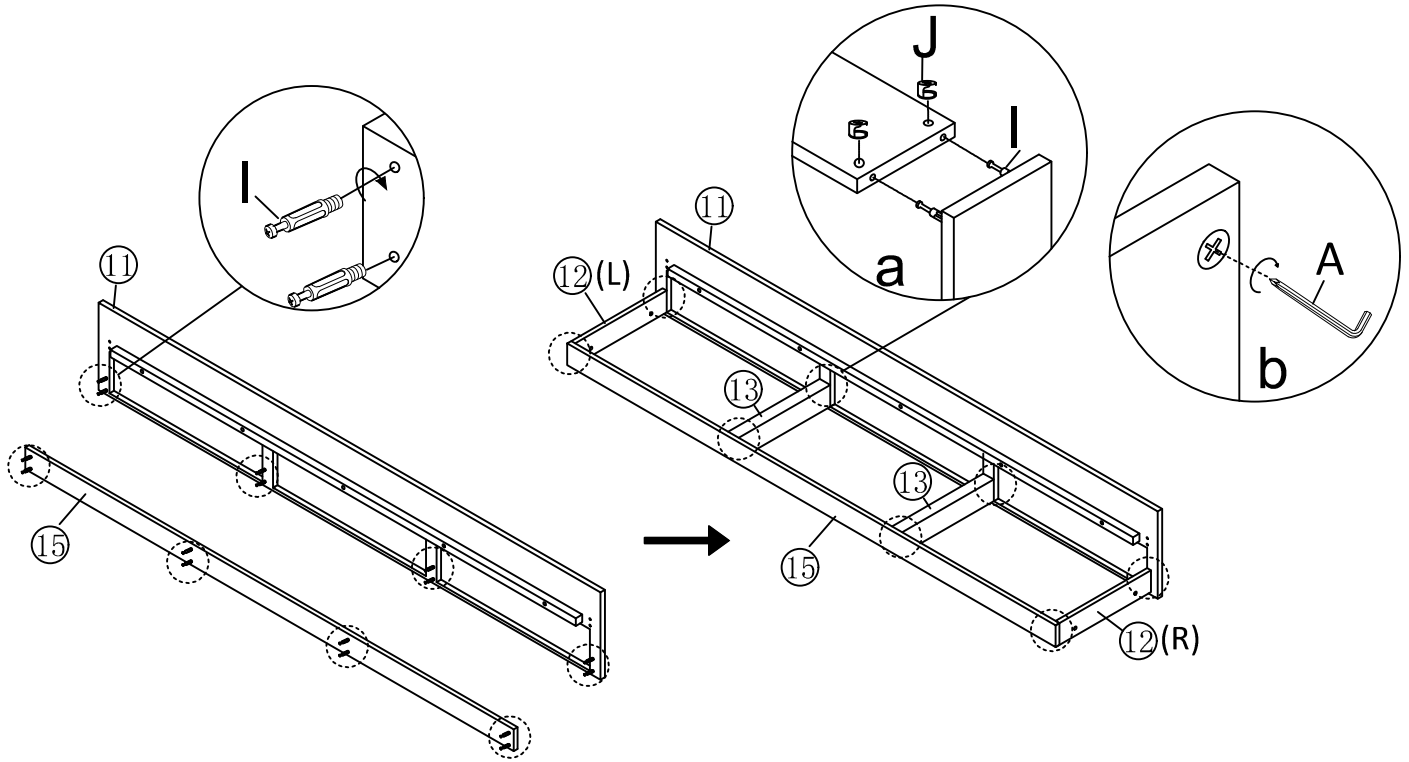
# Step 10






A	B
	 M8X40mm
2PCS	

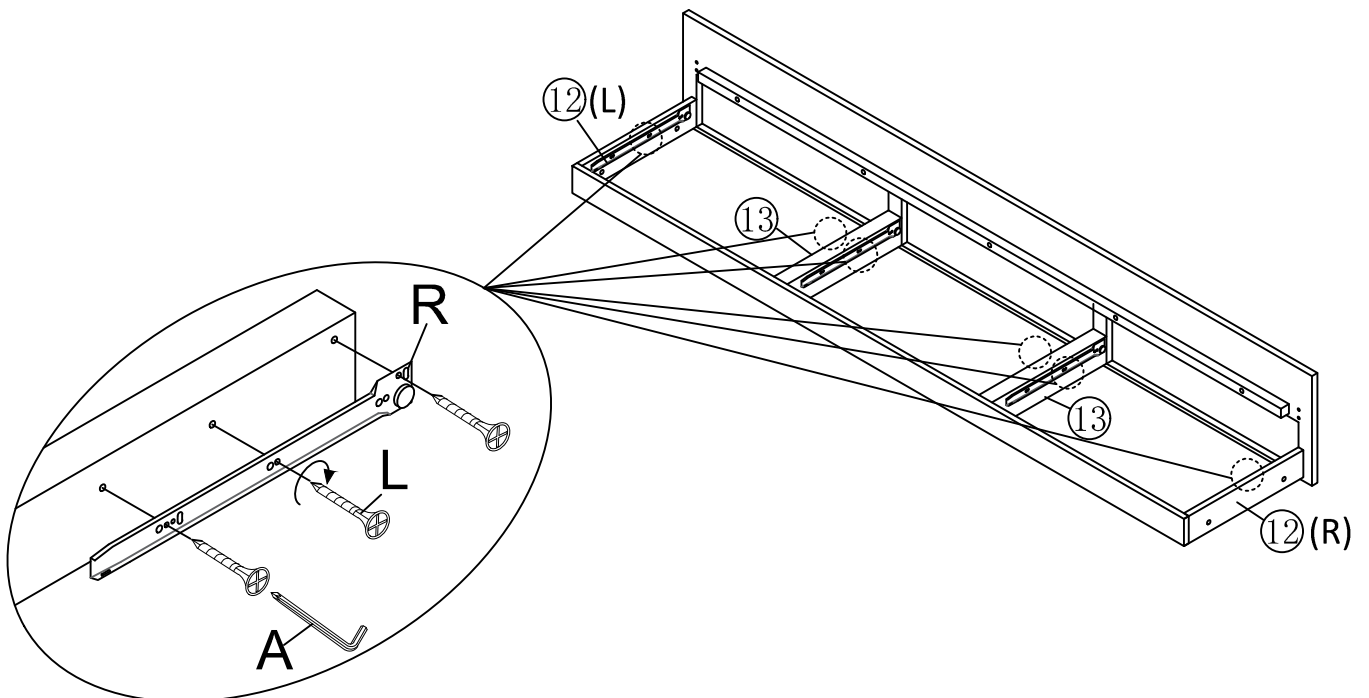
# Step 11

<p>A</p> 	<p>I</p>  <p>16PCS</p>	<p>J</p>  <p>16PCS</p>
---	---	---



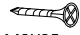



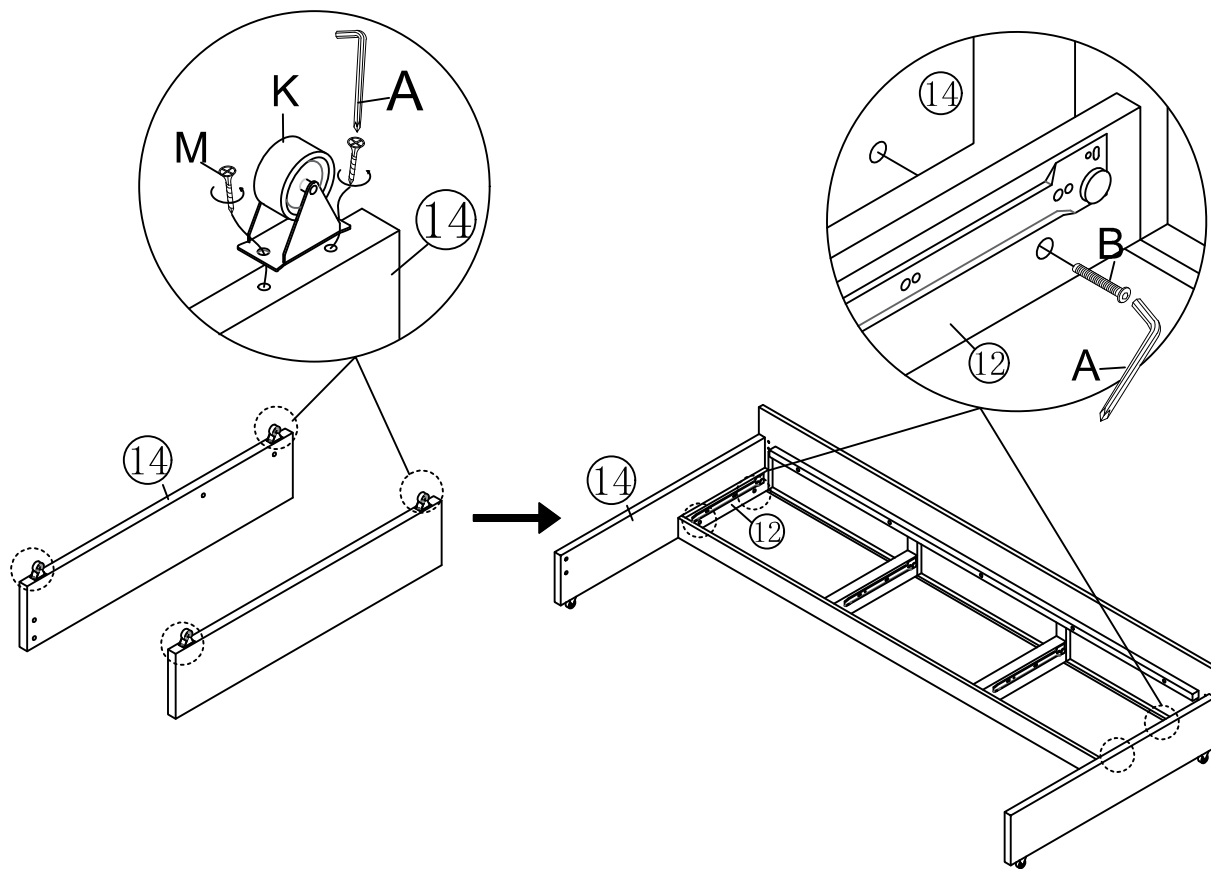
# Step 12

<p>A</p> 	<p>R</p>  <p>3R/3LPCS</p>	<p>L</p>  <p>M3X16mm</p> <p>18PCS</p>
---	--	--








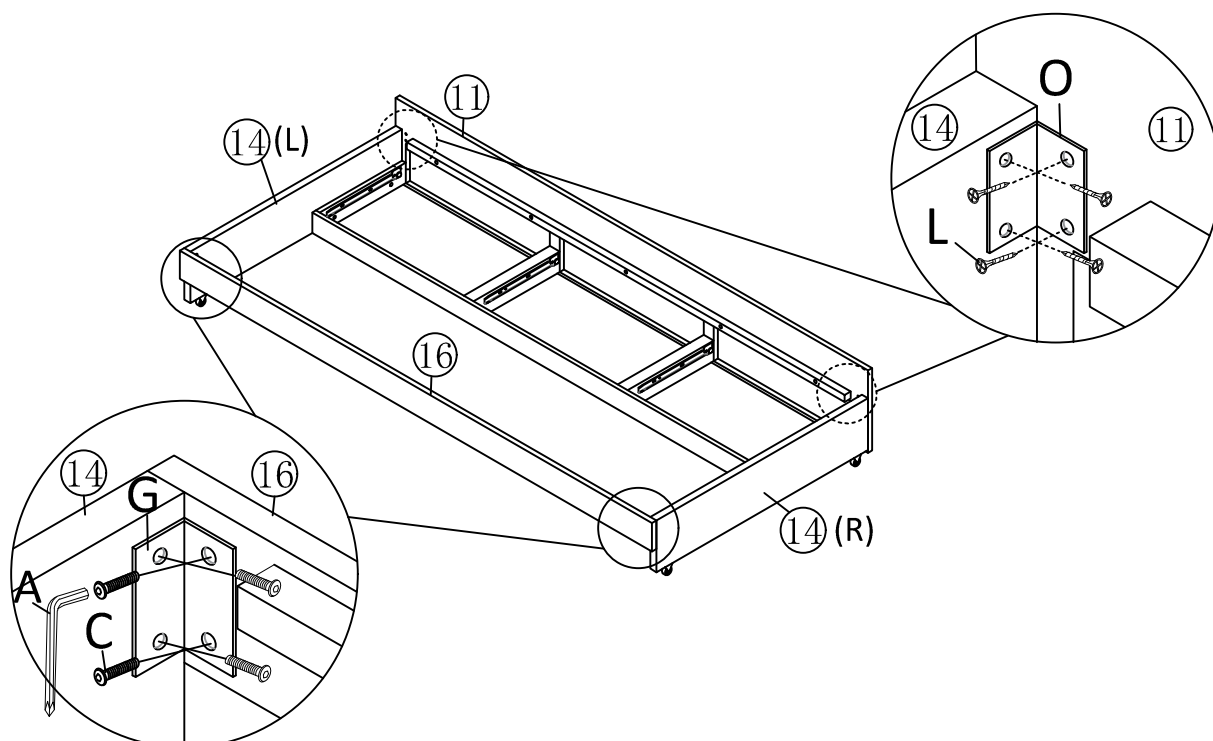
# Step 13

<p>A</p> 	<p>B</p>  <p>M8X40mm</p> <p>4PCS</p>	<p>M</p>  <p>M3X25mm</p> <p>8PCS</p>	<p>K</p>  <p>4PCS</p>
--	--	---	--



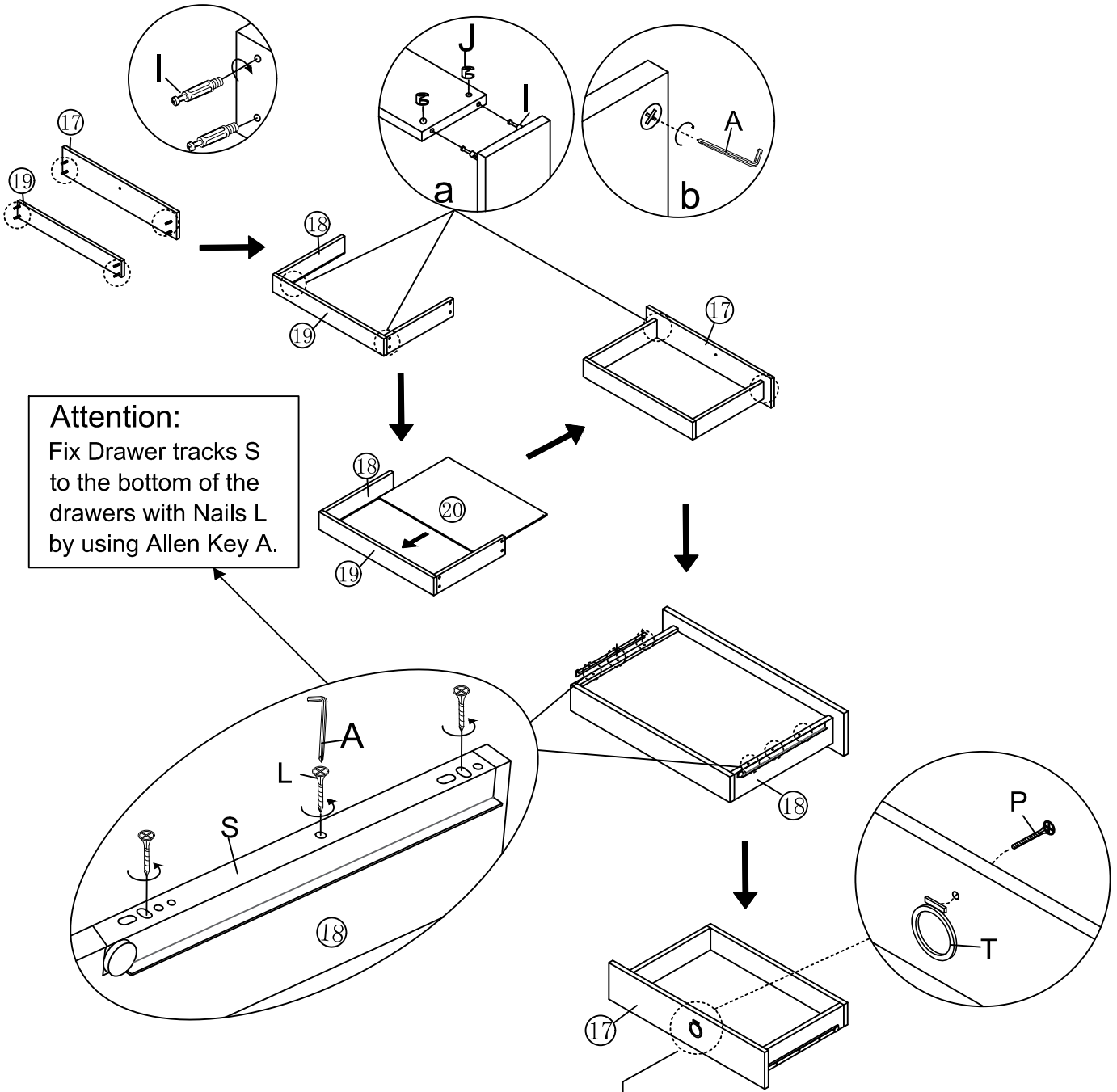
# Step 14

<p>A</p> 	<p>C</p>  <p>M8X18mm</p> <p>8PCS</p>	<p>G</p>  <p>2PCS</p>	<p>L</p>  <p>M3X16mm</p> <p>8PCS</p>	<p>O</p>  <p>2PCS</p>
--	---	---	---	--



# Step 15x3

A	I	J	L	S
	24PCS	24PCS	18PCS	3R/3LPCS
T	P			
3PCS	3PCS			



**Attention:**  
 Fix Drawer tracks S to the bottom of the drawers with Nails L by using Allen Key A.

Fix Drawer handle T to the Drawer outer board 17 with Bolts P by using Allen Key A.

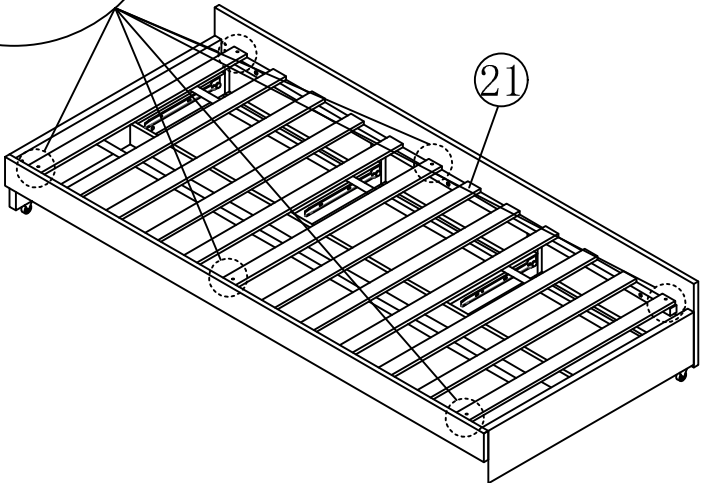
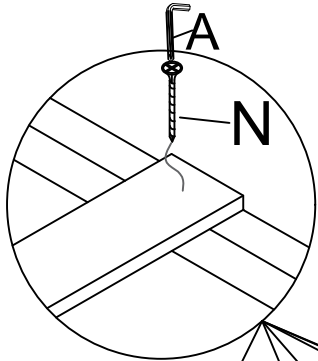
# Step 16

A

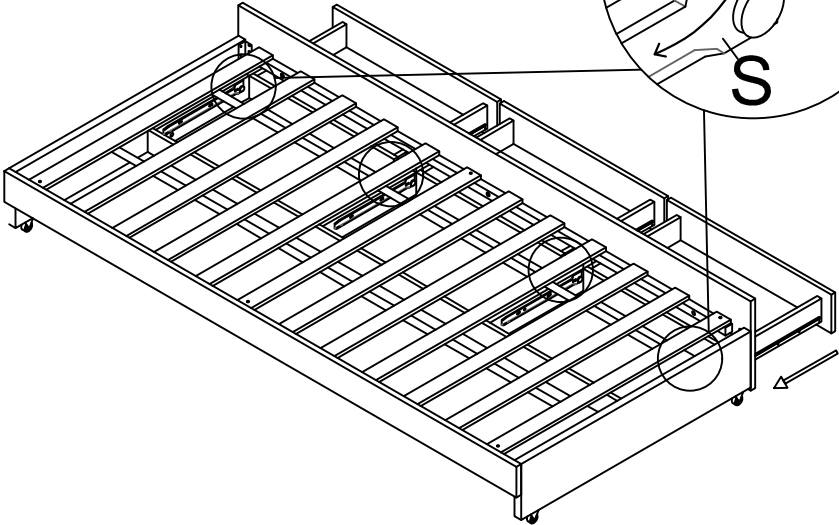
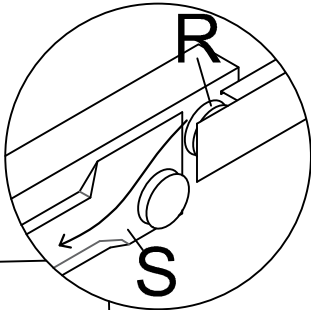
N





M4X30mm  
6PCS



# Step 17



# Step 18

A	N
	 M4X30mm 6PCS

