



BROWNSTONE



ASSEMBLY INSTRUCTIONS

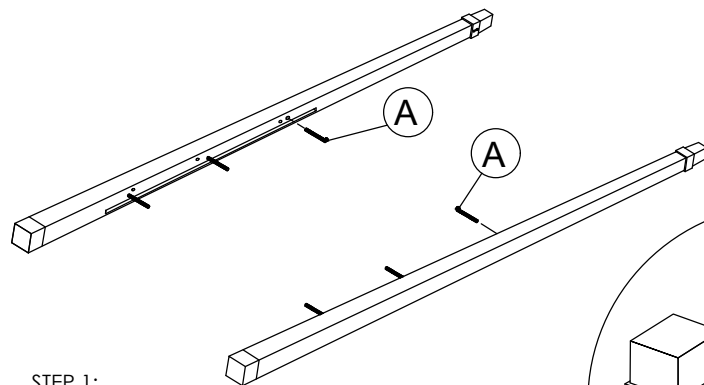
PL005, PL006 & PL007

PALMER 4- POSTER BEDS

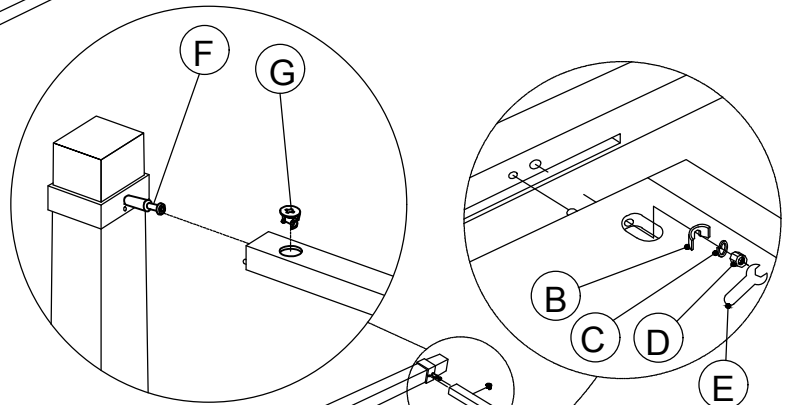
PARTS LIST

Page 1 of 3

A	B	C	D	E	F	G	H	I
BOLT M8 x 80 18 PCS.	HALF WASHER M8 18 PCS.	SPRING WASHER M8 (18 PCS.)	HEXAGONAL NUT M8 (18 PCS.)	WRENCH KEY (FOR HEX.NUT) 1 PC.	MINI-FIX HARDWARE 8 PCS.	CONNECTING BOLT 8 PCS.	ALLEN BOLT (FOR BED SLAT) M6 X 60 (3 PCS.)	ALLEN KEY M4 (FOR ALLEN BOLT) 1 PC.



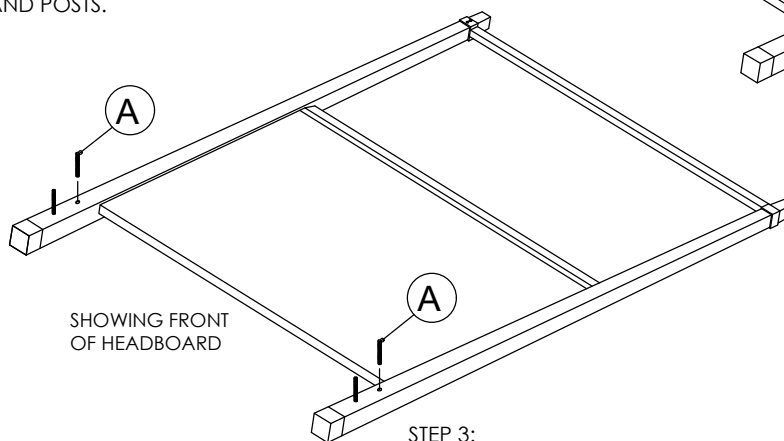
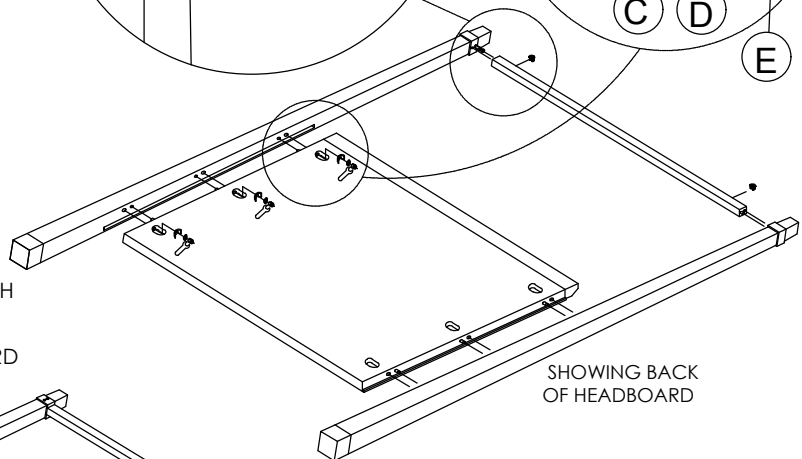
STEP 1:  
PLACE HEADBOARD POSTS ON A CLEAN SOFT SURFACE AND FIX BOLT (A) TO BUSHING FOUND ON HEADBOARD POSTS.



STEP 2:  
INSERT HEADBOARD PANEL TO GROOVE FOUND ON POSTS, CONNECT USING HALF WASHER (B), SPRING WASHER (C) HEXAGONAL NUT (D) AND HEXAGONAL WRENCH (E) BUT DO NOT TIGHTEN.

CONNECT CANOPY RAIL TO POSTS USING PLAIN WASHER (F), ALLEN BOLT (G) AND FIX TIGHTEN WITH ALLEN KEY (I).

THEN TIGHTEN CONNECTION BETWEEN HEADBOARD PANEL AND POSTS.



STEP 3:  
TURN UPSIDE DOWN HEADBOARD ASSEMBLY AND FIX BOLTS (A) TO CONNECT TO SIDE RAILS.

**SPECIAL CARE INSTRUCTIONS :** KEEP FURNITURE OUT OF DIRECT SUNLIGHT AS IT CAN DAMAGE THE FINISH.  
CLEAN WITH A "NON BUILD-UP" CLEANER AND A SOFT FURNITURE POLISHING CLOTH.



BROWNSTONE

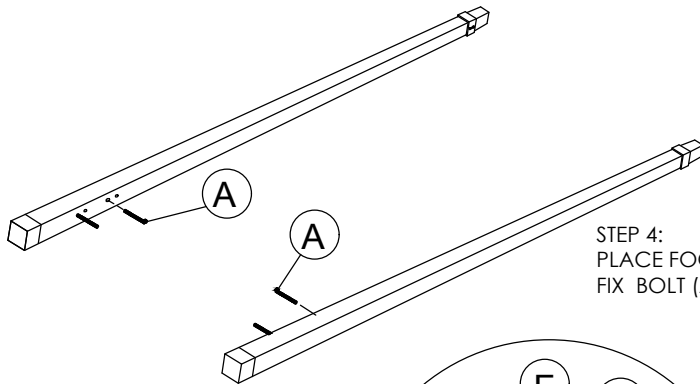


# ASSEMBLY INSTRUCTIONS

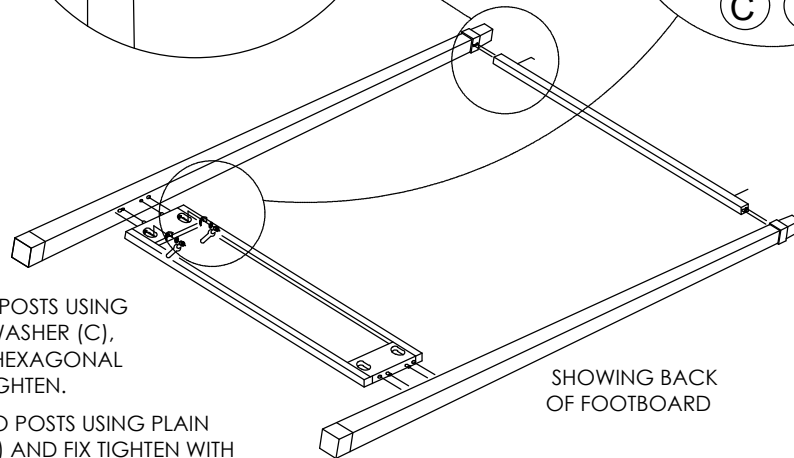
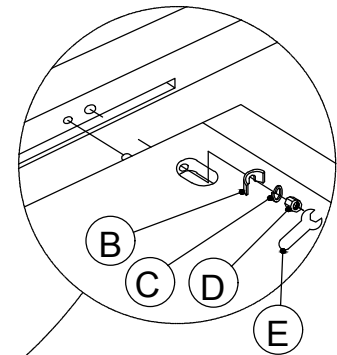
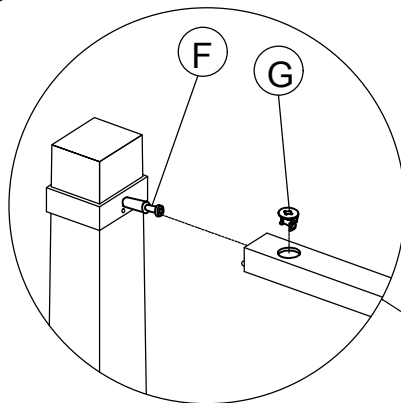
PL005, PL006 & PL007

PALMER 4- POSTER BEDS

Page 2 of 3



STEP 4:  
PLACE FOOTBOARD POSTS ON A CLEAN SOFT SURFACE AND  
FIX BOLT (A) TO BUSHING FOUND ON FOOTBOARD POSTS.

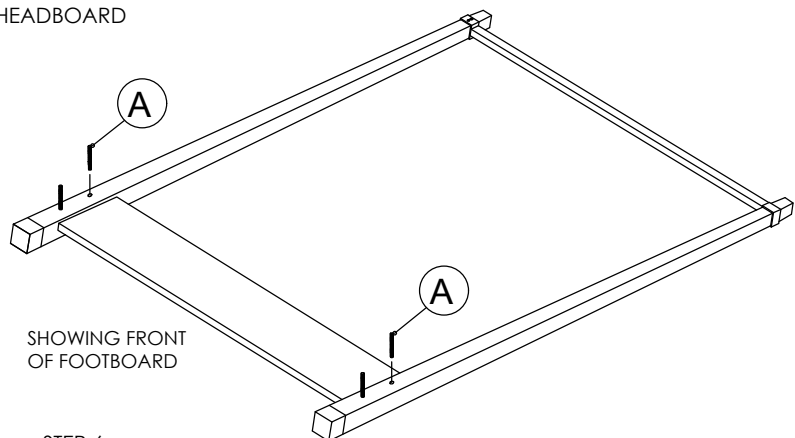


SHOWING BACK  
OF FOOTBOARD

STEP 5:  
CONNECT FOOTBOARD TO POSTS USING  
HALF WASHER (B), SPRING WASHER (C),  
HEXAGONAL NUT (D) AND HEXAGONAL  
WRENCH (E) BUT DO NOT TIGHTEN.

CONNECT CANOPY RAIL TO POSTS USING PLAIN  
WASHER (F), ALLEN BOLT (G) AND FIX TIGHTEN WITH  
ALLEN KEY (I).

THEN TIGHTEN CONNECTION BETWEEN HEADBOARD  
PANEL AND POSTS.



SHOWING FRONT  
OF FOOTBOARD

STEP 6:  
TURN UPSIDE DOWN FOOTBOARD ASSEMBLY AND  
FIX BOLTS (A) TO CONNECT TO SIDE RAILS.

**SPECIAL CARE INSTRUCTIONS :** KEEP FURNITURE OUT OF DIRECT SUNLIGHT AS IT CAN DAMAGE THE FINISH.  
CLEAN WITH A "NON BUILD-UP" CLEANER AND A SOFT FURNITURE POLISHING CLOTH.

DATE PRINTED: MARCH 17, 2021



BROWNSTONE



# ASSEMBLY INSTRUCTIONS

PL005, PL006 & PL007

PALMER 4- POSTER BEDS

Page 3 of 3

**STEP 5:**  
CONNECT HEADBOARD AND FOOTBOARD ASSEMBLY TO SIDE RAILS USING HALF WASHER (B), SPRING WASHER (C), HEXAGONAL NUT (D) AND HEXAGONAL WRENCH (E) BUT DO NOT TIGHTEN.  
CONNECT CANOPY RAIL TO TOP OF POSTS USING ALLEN BOLT (G) AND FIX TIGHTEN WITH ALLEN KEY (H)  
THEN TIGHTEN CONNECTION BETWEEN HEADBOARD/ FOOTBOARD ASSEMBLIES AND POSTS.

**STEP 6:**  
PLACE THREE (3) SLATS WITH HOLES (REFER ILLUSTRATION ABOVE) AND CONNECT WITH BOTTOM CENTER SUPPORT/ LEGS SUPPORTS WITH ALLEN BOLTS (G) AND ALLEN KEY (H) PROVIDED.  
THEN, PLACE THE REMAINING FOUR (4) SLATS WITHOUT HOLES TO COMPLETE SEVEN (7) SLATS OF THE BED.

**STEP 7:**  
IF THE BED IS NOT LEVEL WITH THE FLOOR, ADJUST THE ADJUSTABLE LEVELERS FOUND UNDERNEATH LEG SUPPORTS.  
ASSEMBLY IS NOW COMPLETE.

**SPECIAL CARE INSTRUCTIONS :** KEEP FURNITURE OUT OF DIRECT SUNLIGHT AS IT CAN DAMAGE THE FINISH.  
CLEAN WITH A "NON BUILD-UP" CLEANER AND A SOFT FURNITURE POLISHING CLOTH.