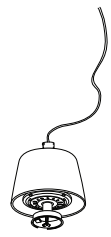
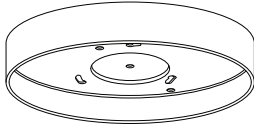
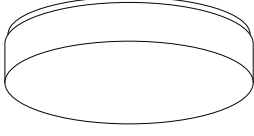


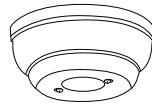
A	B	C
 x 1	 x 1	 x 1

D



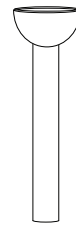
x 1

E



x 1

F



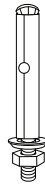
x 1

G



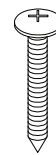
x 1

H



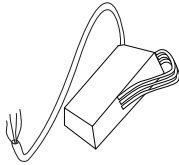
x 2

I



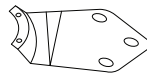
x 4

J



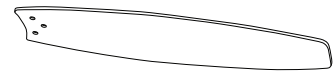
x 1

K



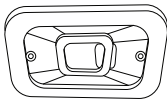
x 3

L



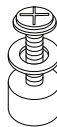
x 3

M



x 1

N



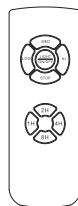
x 9

O

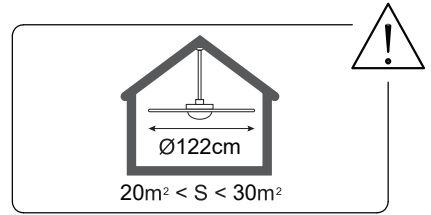
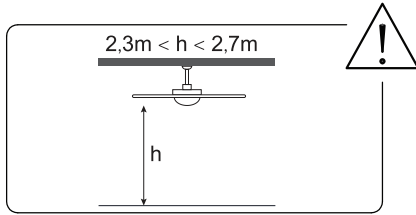
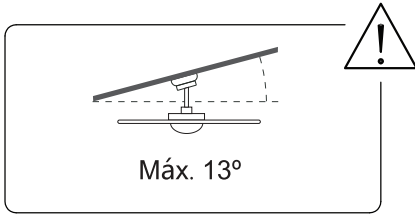
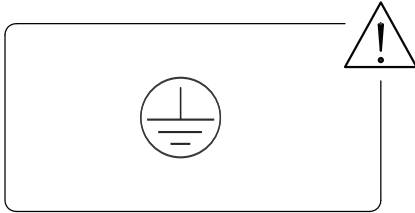
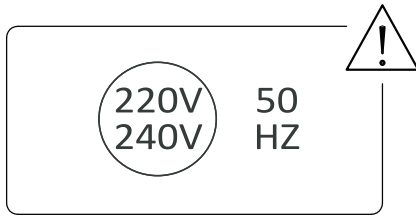


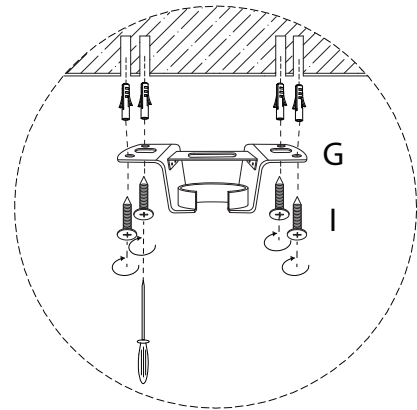
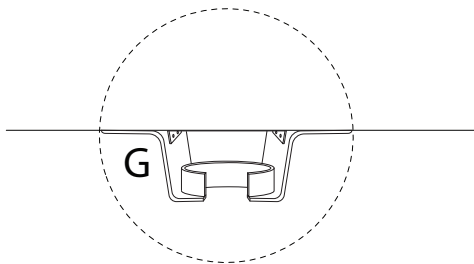
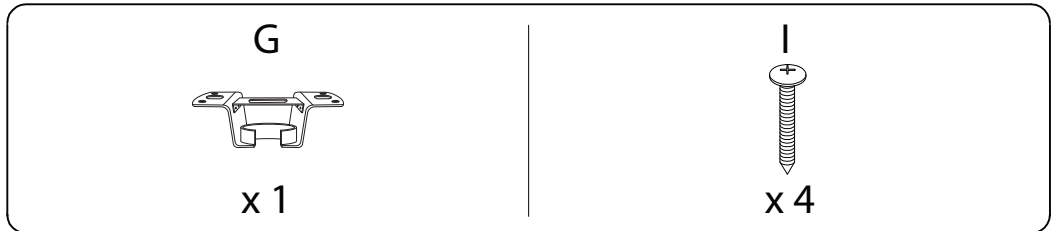
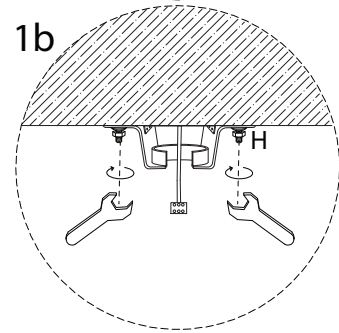
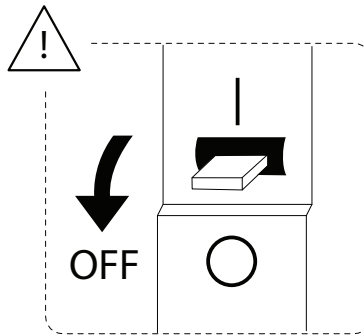
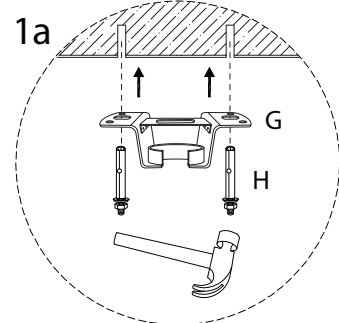
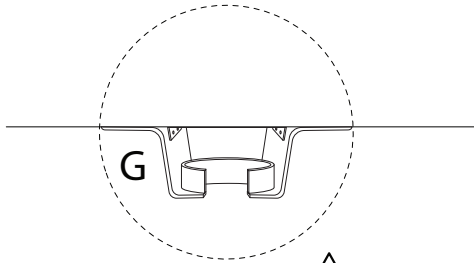
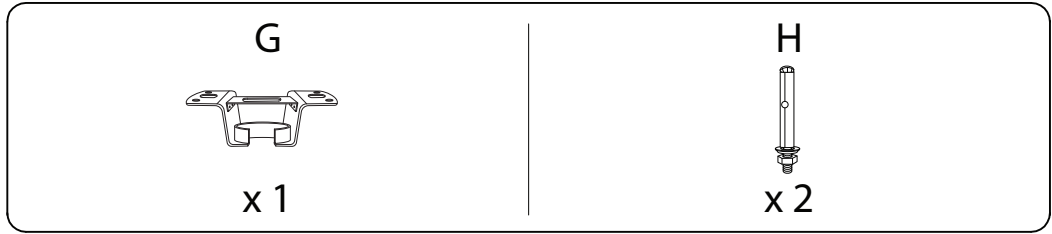
x 2

P

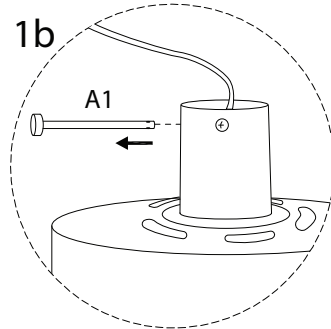
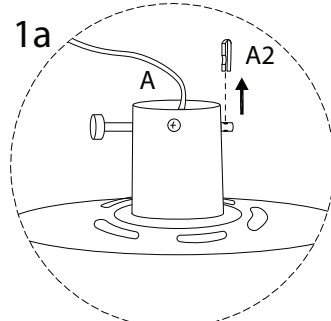
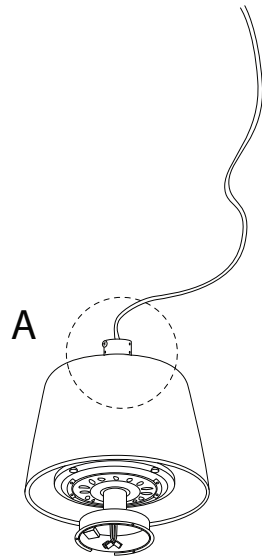


x 1

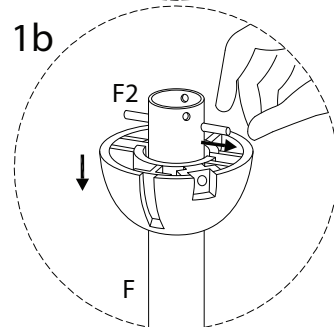
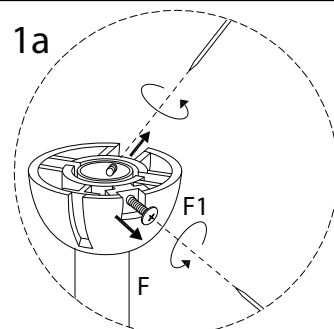
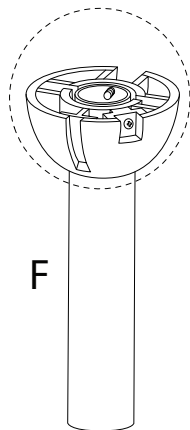
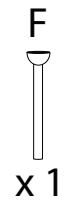




1



2



3

D

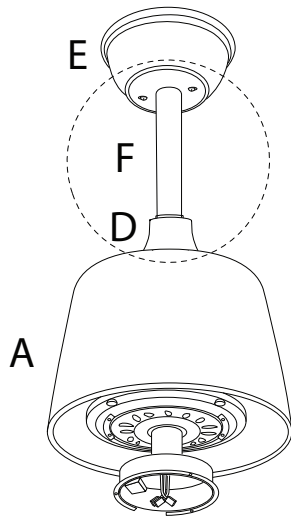


x 1

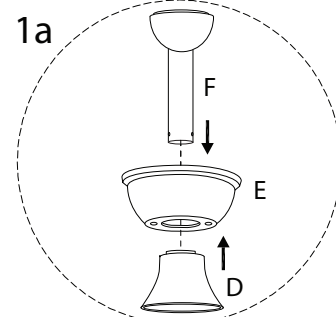
E



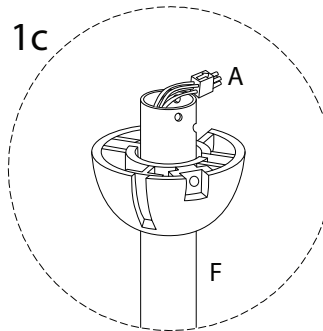
x 1



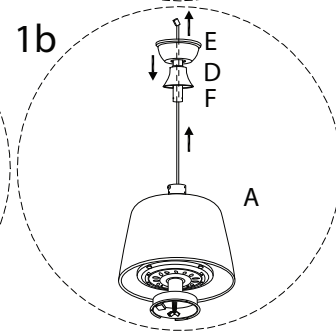
1a



1c



1b



4

F1

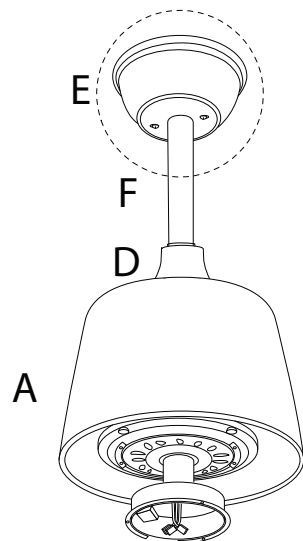


x 2

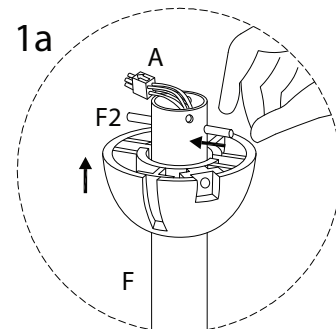
F2



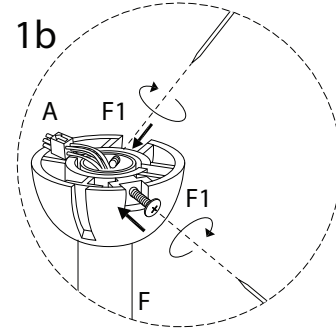
x 1



1a



1b



5

A1

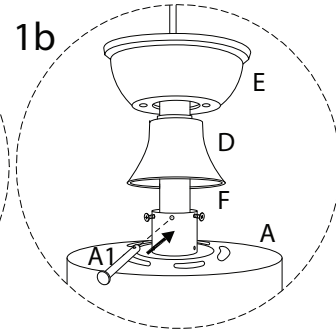
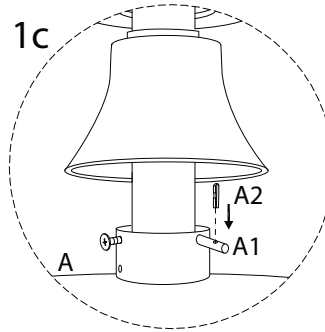
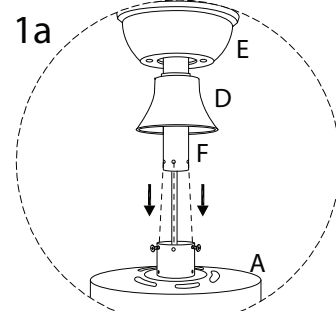
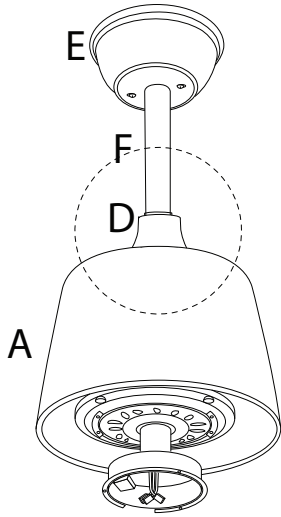


x 1

A2

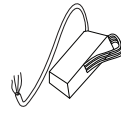


x 1

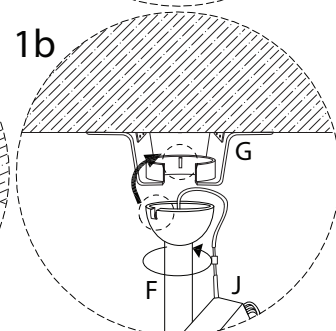
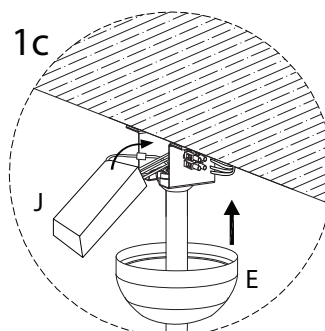
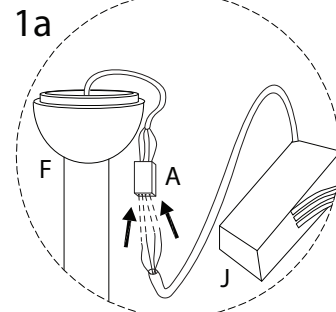
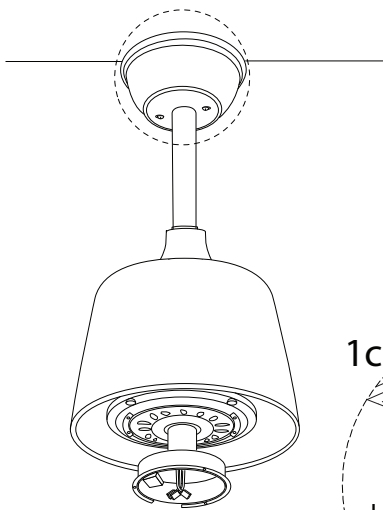


6

J



x 1

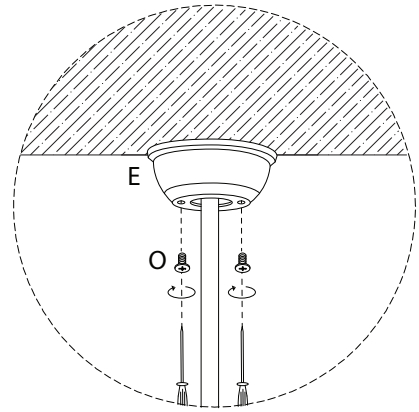
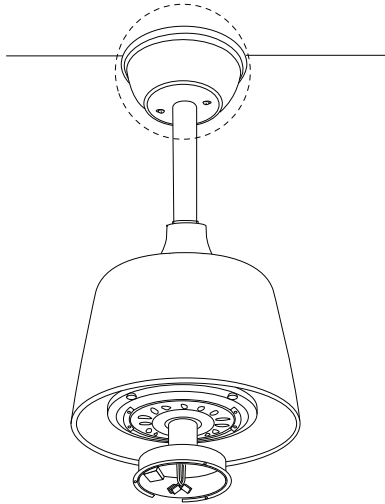


7

O

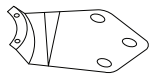


x2



8

K



x3

L

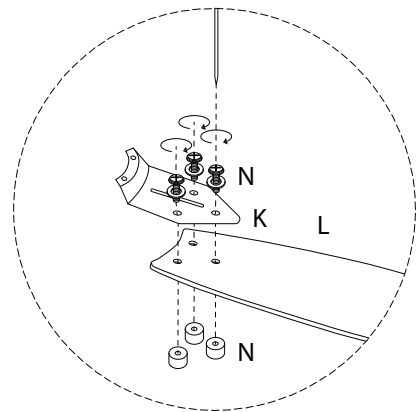
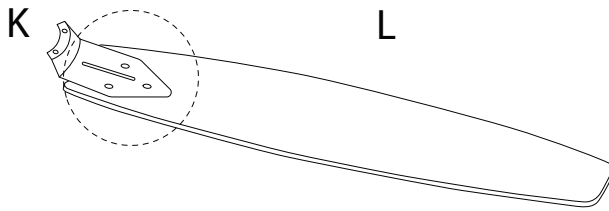


x3

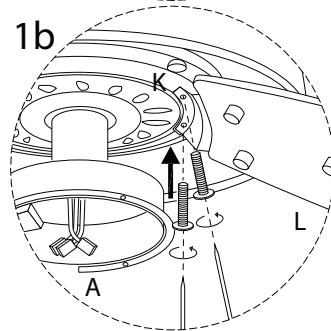
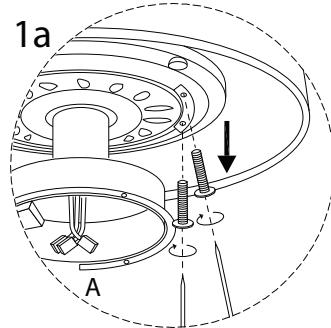
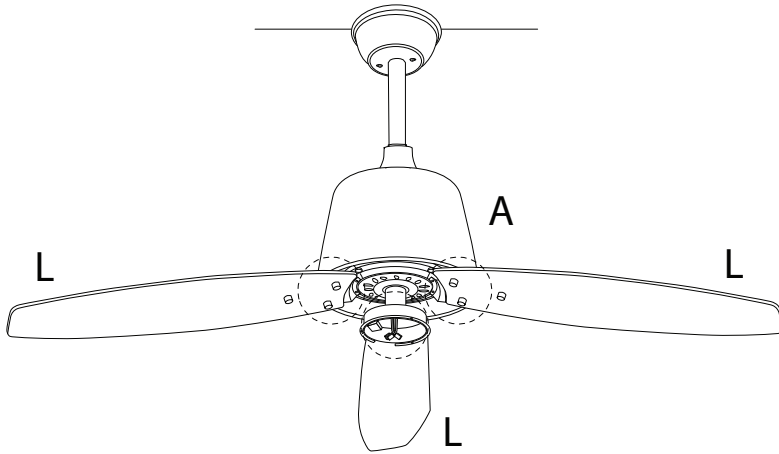
N



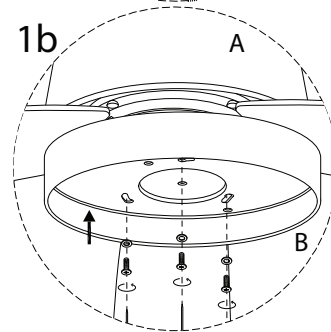
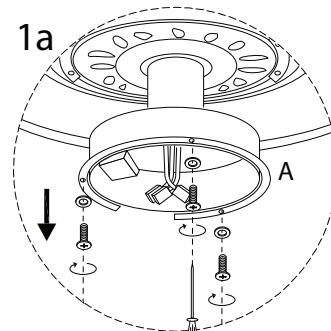
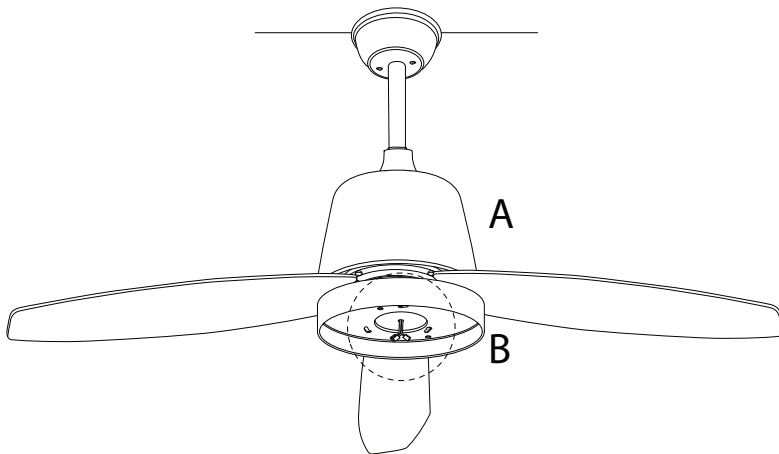
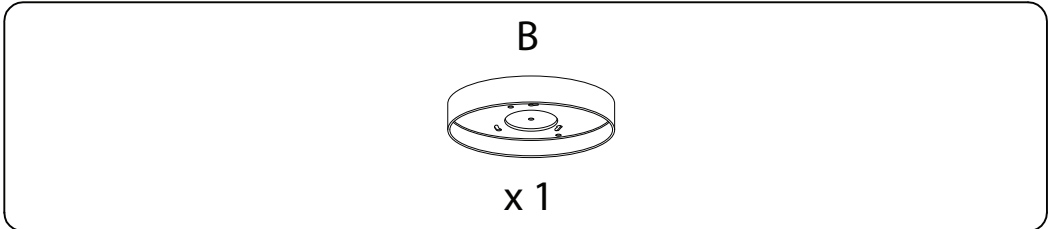
x9



9



10



11

