

gazebo

Product ID. 7A23N



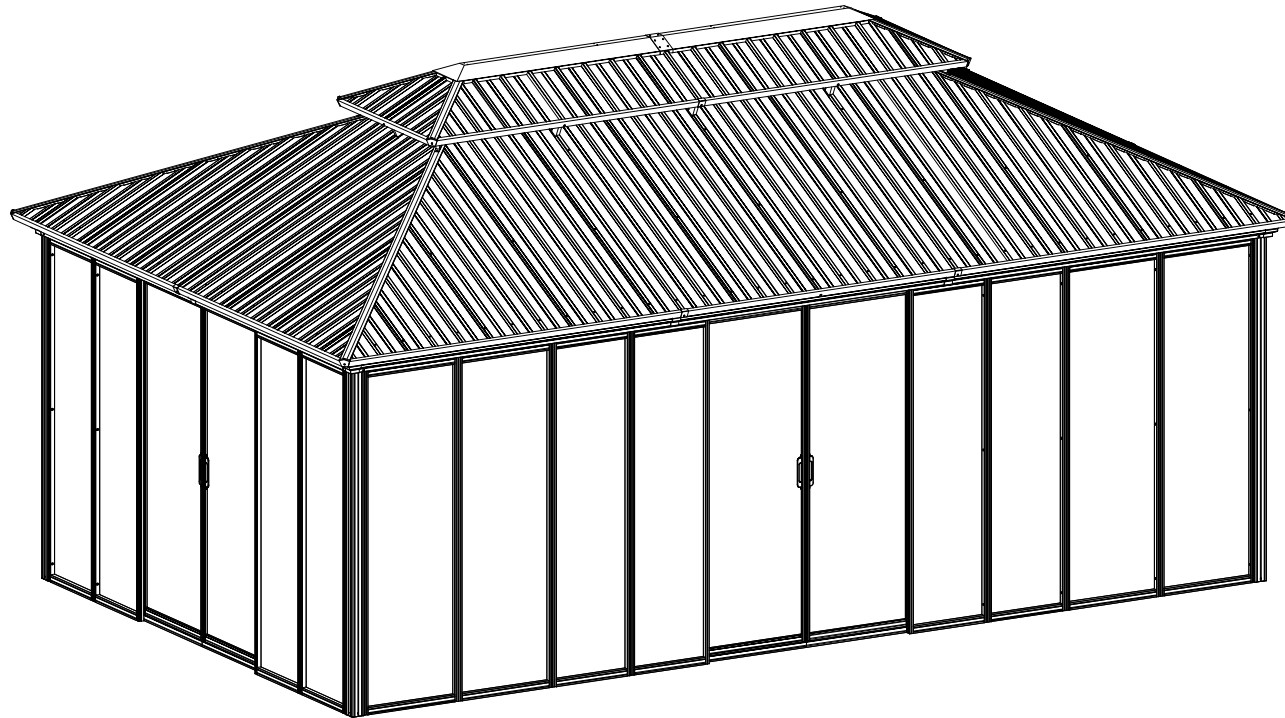
Scan for Support
support@garvee.com



Distributed by
GARVEE.com

3.65 x 6 M

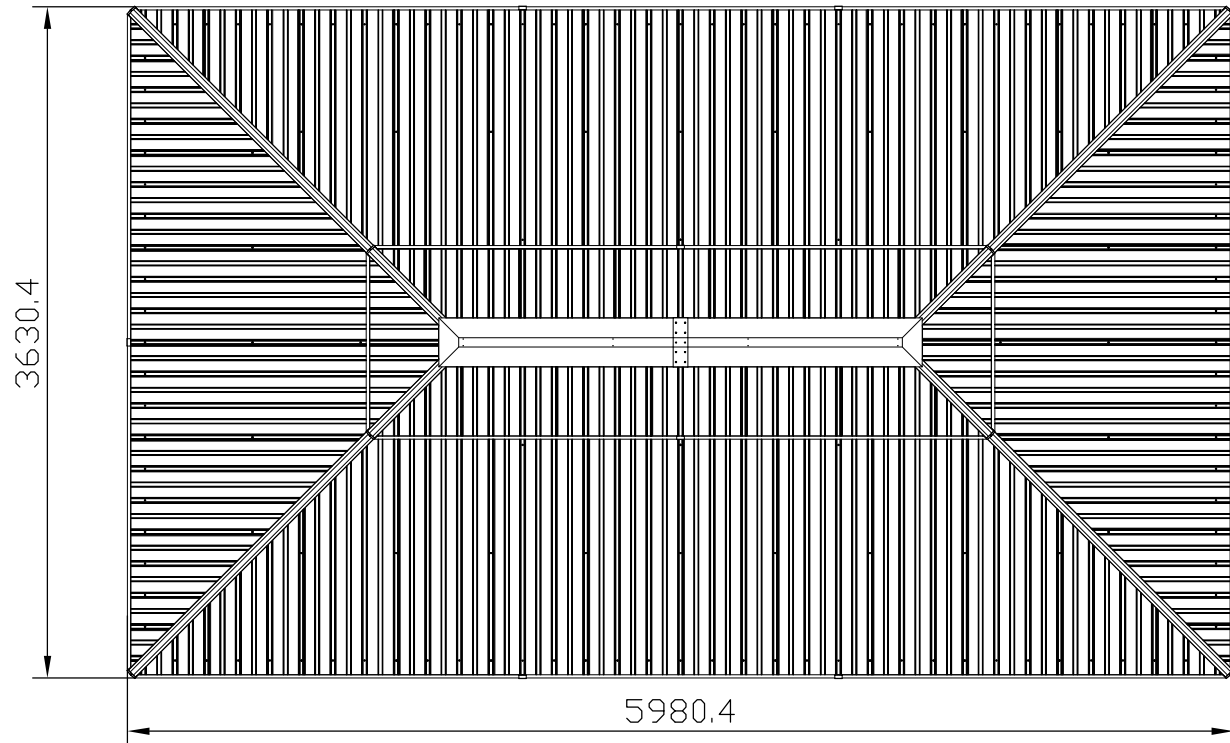
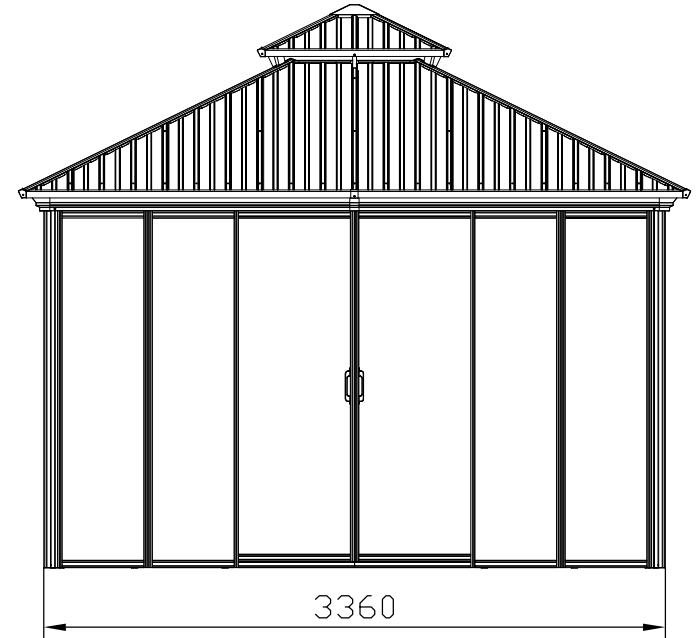
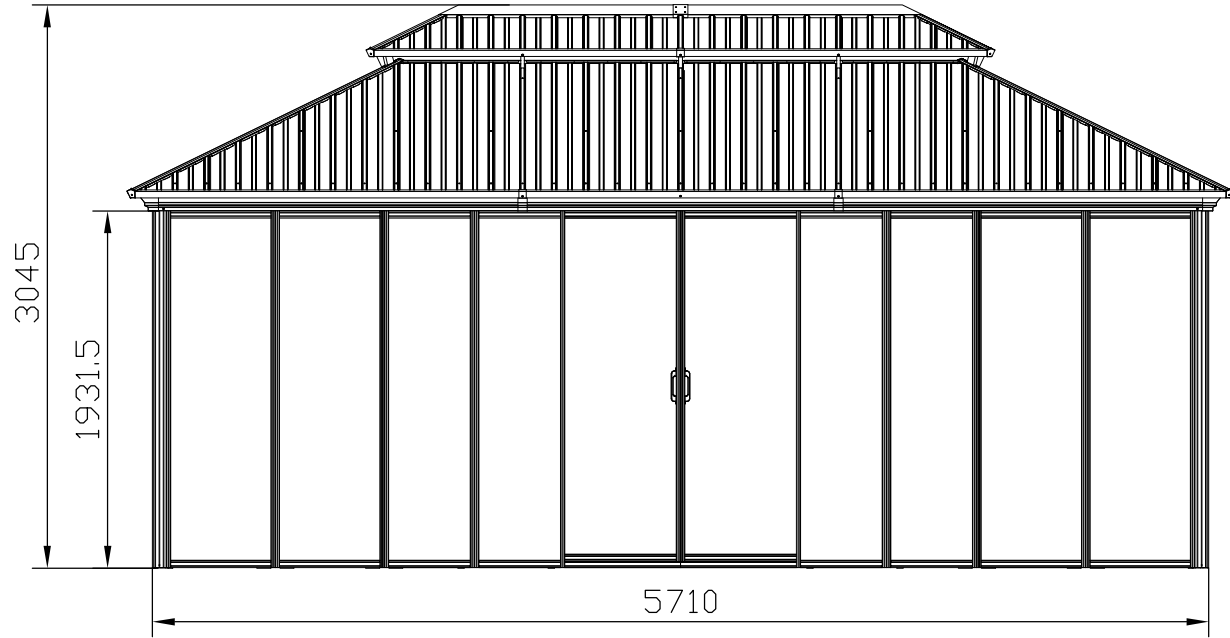
YS9165

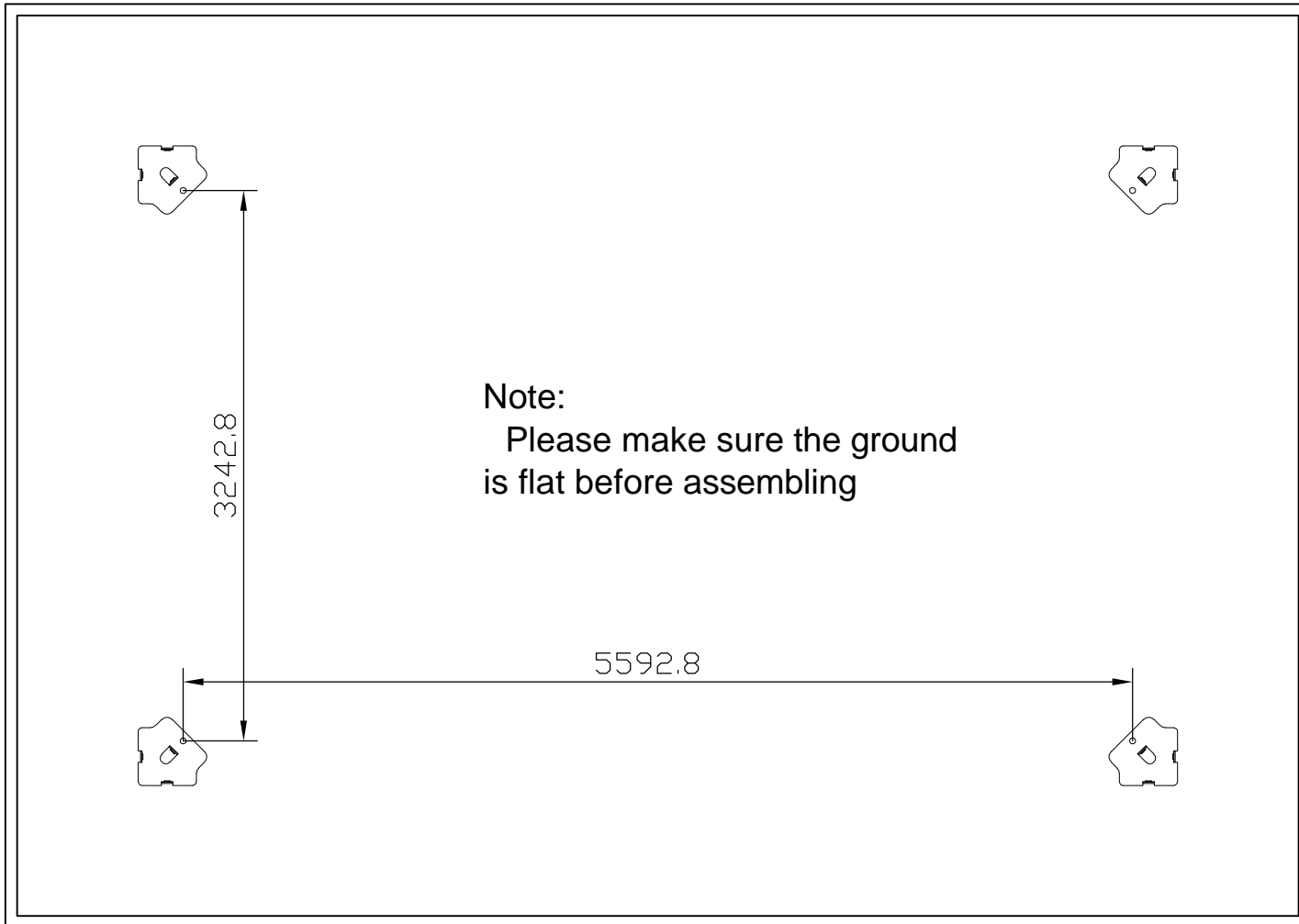


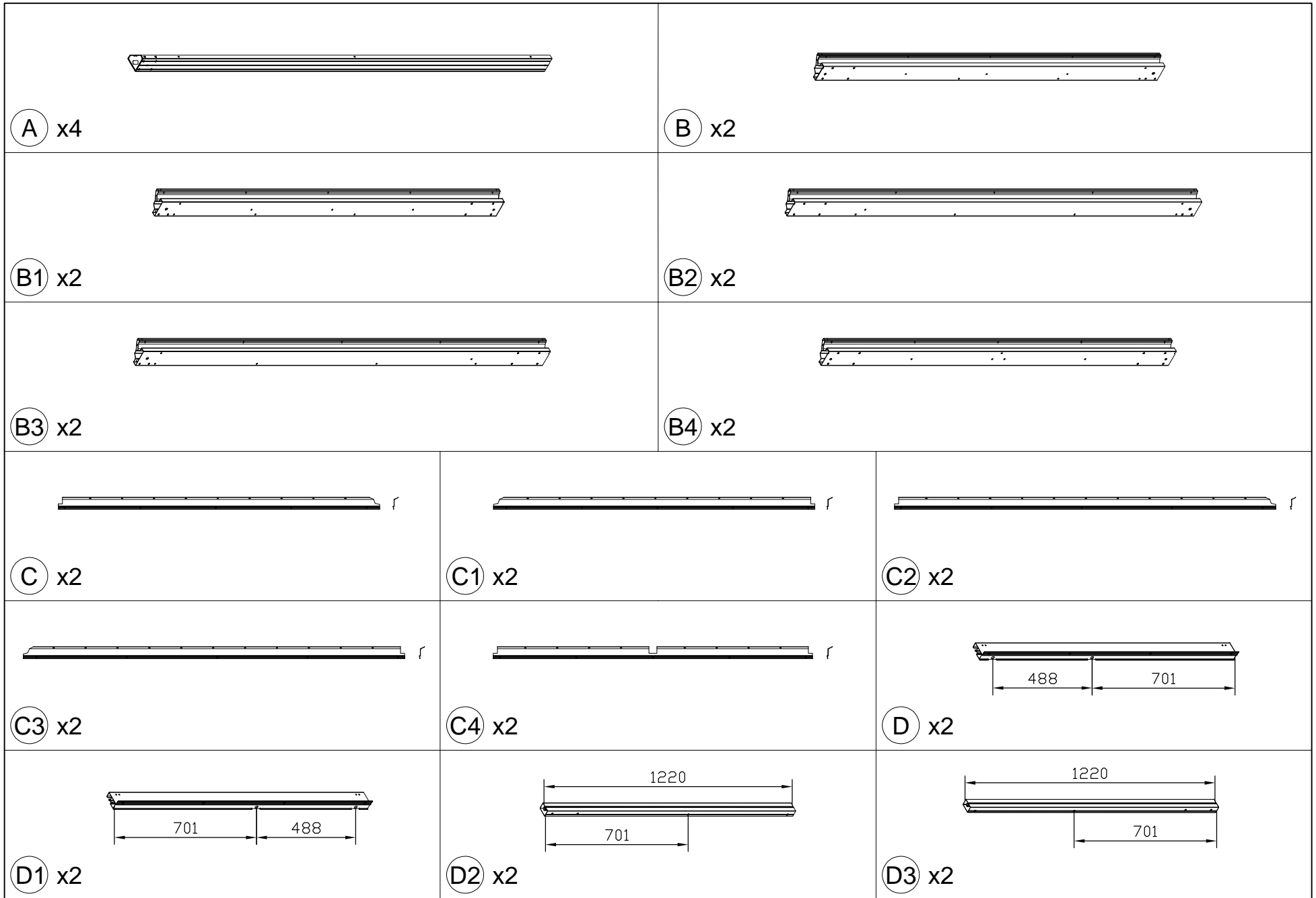
At least need 3 person work together

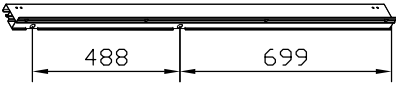
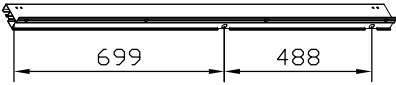
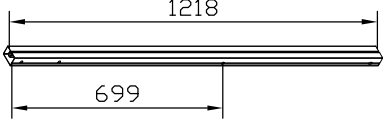
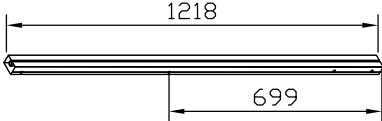

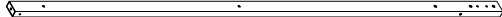












REQUIRED TOOLS








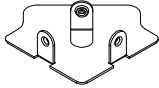
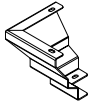

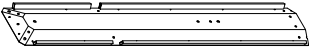
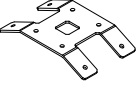
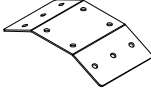
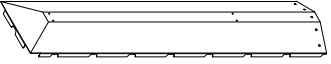
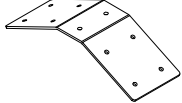
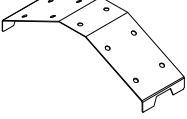
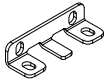

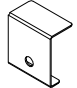
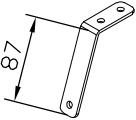
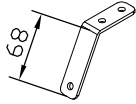


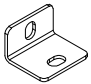
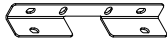
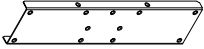
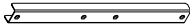
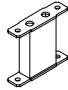
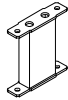
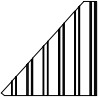
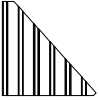
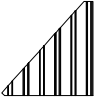
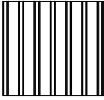
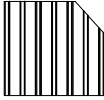


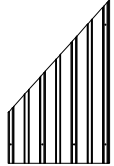
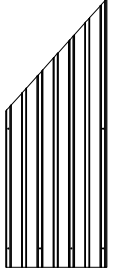
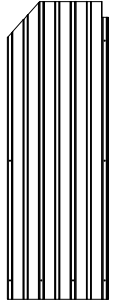
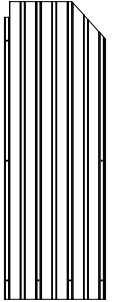
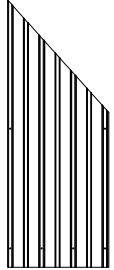
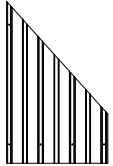

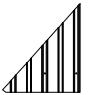
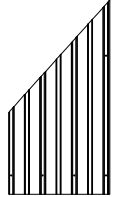
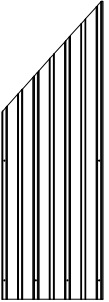
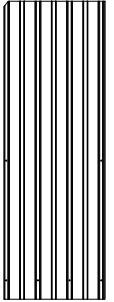
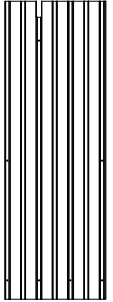
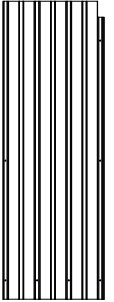
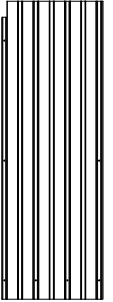
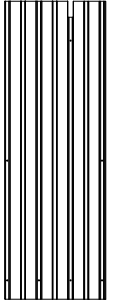
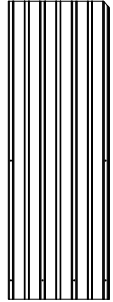
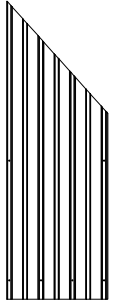
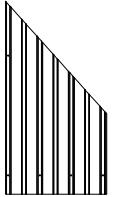
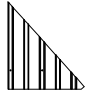


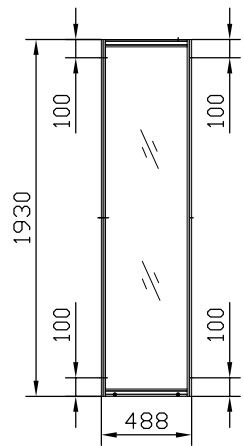




 <p>(D4) x2</p>	 <p>(D5) x2</p>	 <p>(D6) x2</p>
 <p>(D7) x2</p>	 <p>(E) x4</p>	 <p>(E1) x8</p>
 <p>(U5) x4</p>	 <p>(U6) x8</p>	 <p>(F1) x2</p>
 <p>(F2) x2</p>	 <p>(F3) x2</p>	 <p>(F4) x2</p>
 <p>(F) x4</p>	 <p>(G1) x2</p>	 <p>(G2) x2</p>
 <p>(G3) x2</p>	 <p>(G4) x2</p>	 <p>(G5) x2</p>

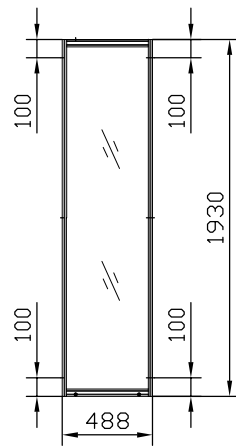
 G6 x2	 G7 x2	 G8 x2	
 G9 x2		 G10 x2	
 G x2	 H x3	 J x4	 K x4
 K1 x6	 L x2	 L1 x1	 L2 x1
 M x2	 M1 x1	 M2 x1	
 N x8	 N1 x12	 N2 x8	 N3 x4
			 N4 x8

									
(N5) x40	(N6) x8	(P) x6		(P1) x4	(P2) x4				
									
(P3) x8	(S) x2	(Sa) x2	(S1) x2	(S2) x8	(S3) x2	(S4) x2			
									
(Q1) x2	(Q2) x2	(Q3) x2	(Q4) x2	(Q5) x2	(Q6) x2	(Q7) x2	(Q8) x2	(R1) x2	(R2) x2
									
(R3) x2	(R4) x2	(R5) x2	(R6) x2	(R7) x2	(R8) x2	(R9) x2	(R10) x2	(R11) x2	(R12) x2



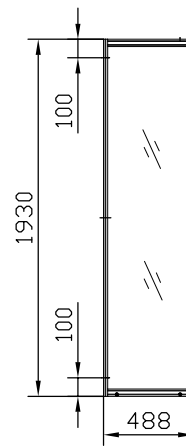
3.65M Left

(V1) x4



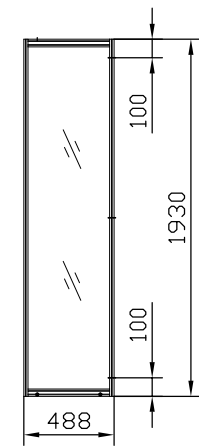
3.65M Right

(V2) x4



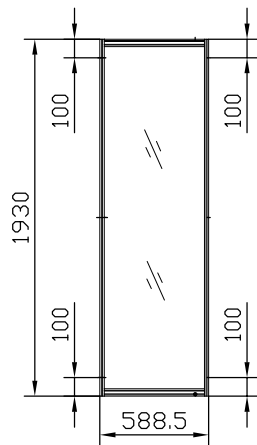
3.65M Middle Left

(V3) x4



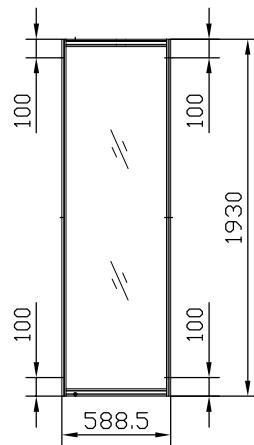
3.65M Middle Right

(V4) x4



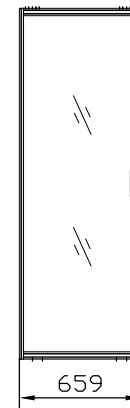
6M Left

(V5) x4



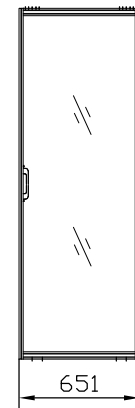
6M Right

(V6) x4



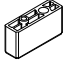

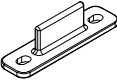
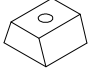
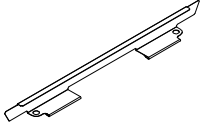
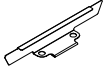
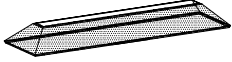
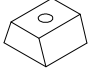
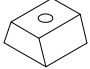

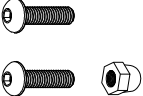



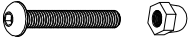
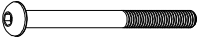
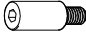



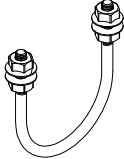
Sliding Left

(V7) x4

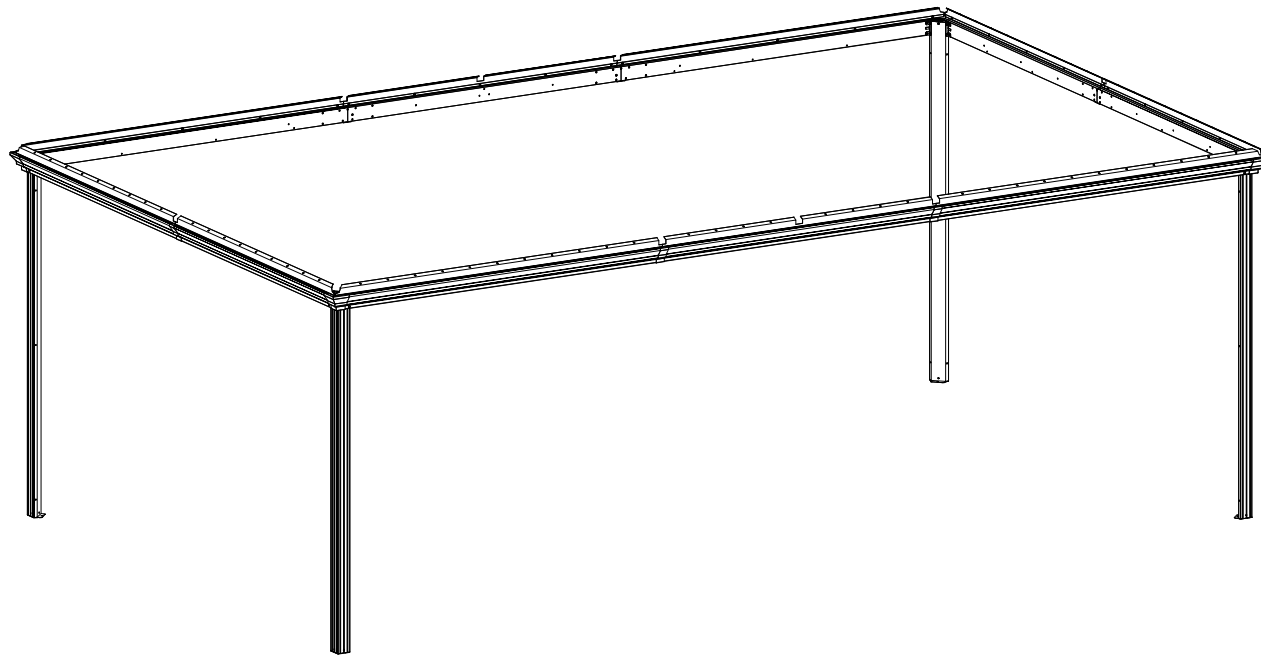


Sliding Right

(V8) x4

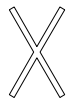
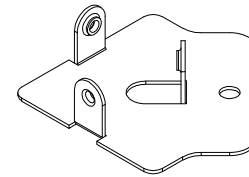
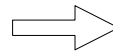
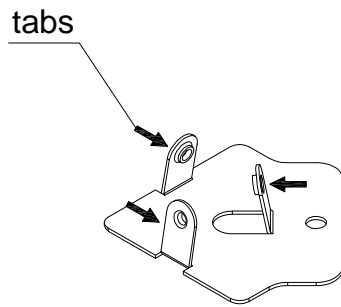
 U1 x16	 U2 x16	 U3 x16	 Y x140
 Z x72	 Z1 x16	 T1 x1	 x1
			 x1
 1 x410 M6x15	 2 x12+x96 M6x23	 3 x68 M5x12	 4 x28 ST4.8x12
 5 x6 M6x50	 6 x32 M6x42	 7 x16 M6x60	 8 x80
 9 x32 M6x15	 10 x16 M5x25	 11 x36	 12 x2

STEP 1



Tips: When installing the screws, don't tighten them all the way first, just roughly hold them in place, and when you're sure that all the parts are installed, then you can tighten the screws to secure the frame.

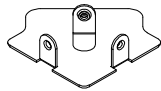
<1>



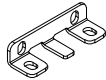
Tips: If the tabs on the base are crooked, you can use pliers to straighten them for easy screw installation



A x4



J x4



N x8



1 x16

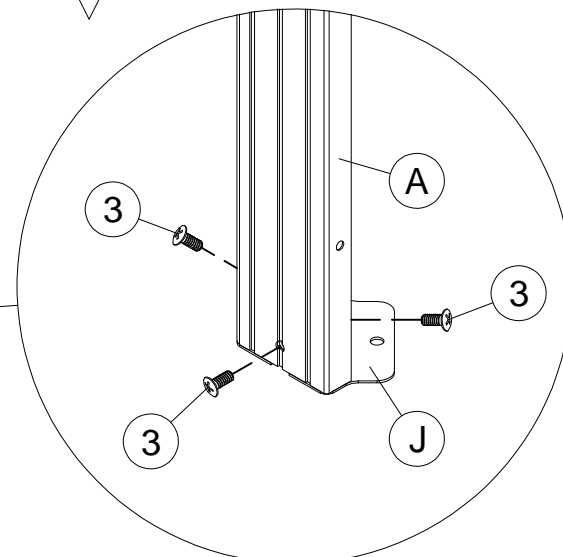
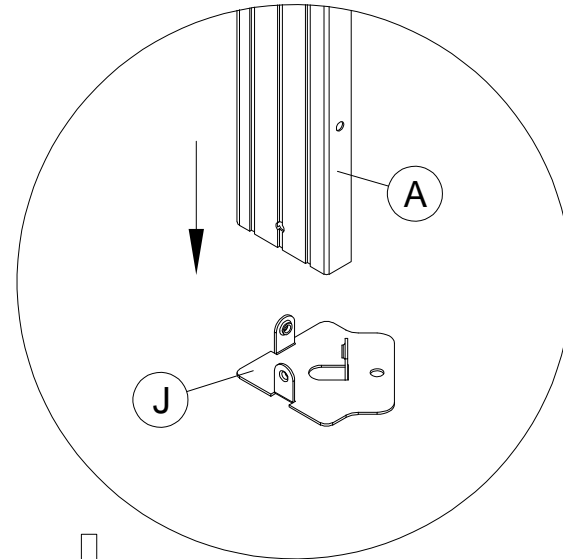
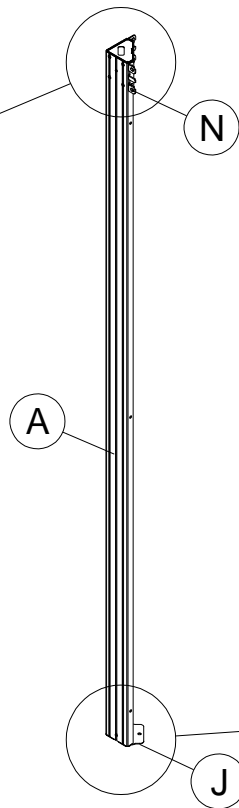
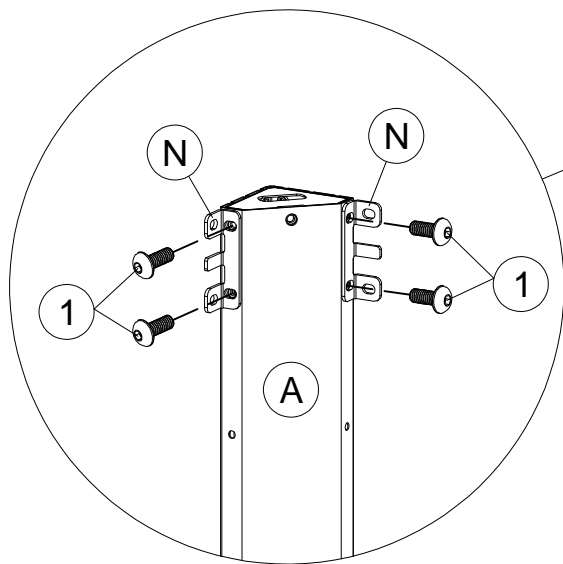
M6x15

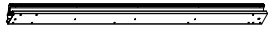


3 x12

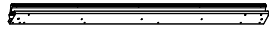
M5x12

<2>

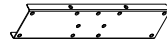




(B) x2



(B1) x2



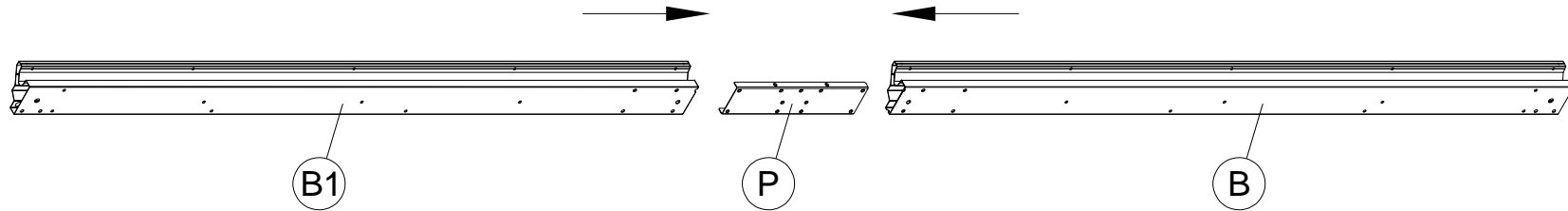
(P) x2



M6x15

(1) x20

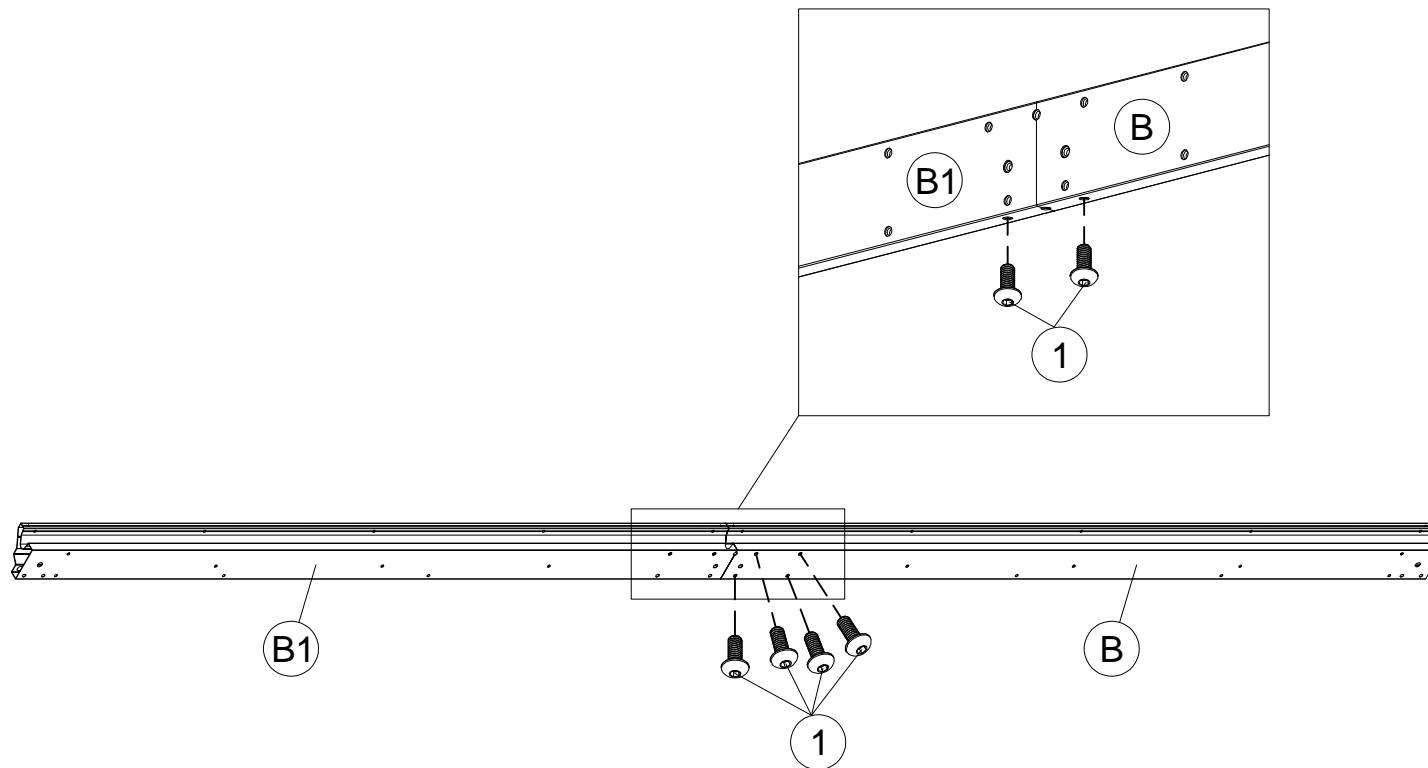
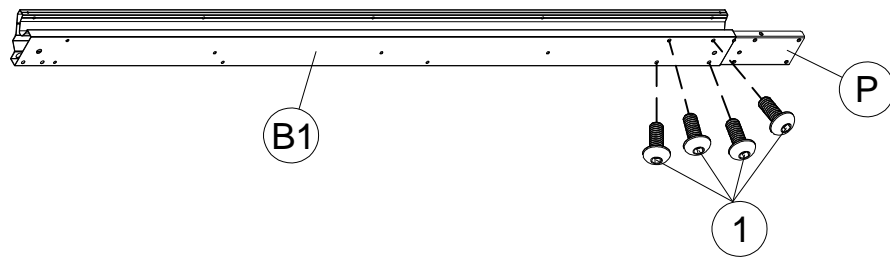
<3>



Tip 1: Use #1 screws to line up the holes in beam B1 and connector P, then connect beam B.

Tip 2: When installing the screws, just hold them roughly in place and then tighten all the screws when you have the entire part connection aligned.

<4>

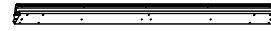




(B2) x2



(B3) x2



(B4) x2



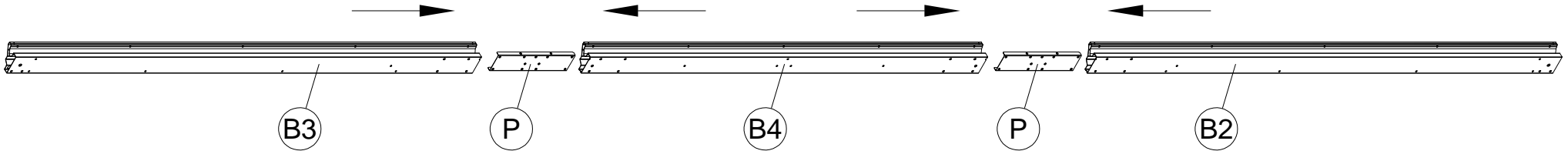
(P) x4



M6x15

(1) x36

<5>

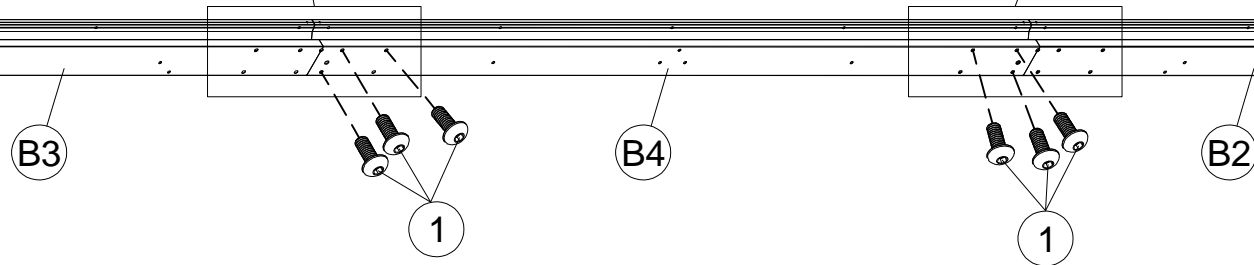
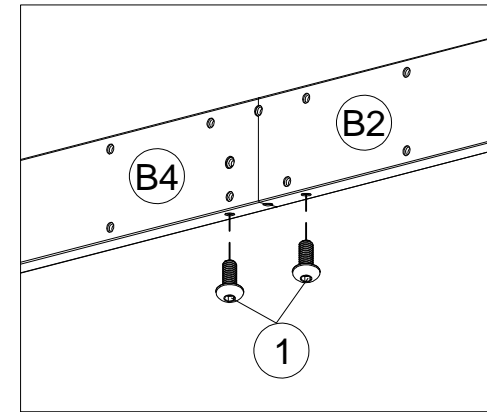
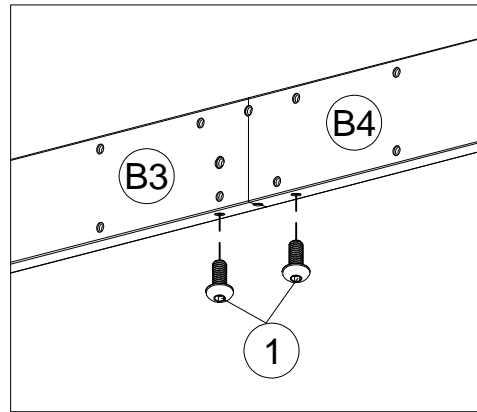
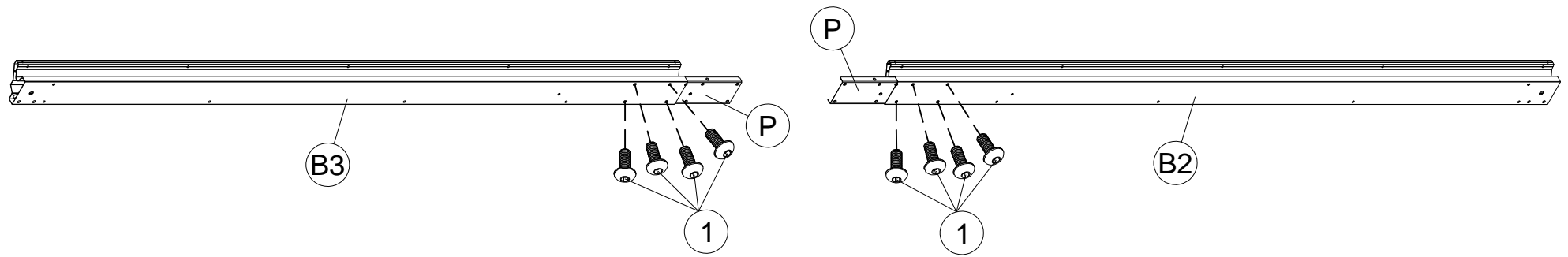


Tip 1: Use #1 screws to line up the holes in beam B3 and connector P, then connect beam B4.

Tip 2: Use #1 screws to line up the holes in beam B2 and connector P, then connect beam B4

Tip 3: When installing the screws, just hold them roughly in place and then tighten all the screws when you have the entire part connection aligned.

<6>



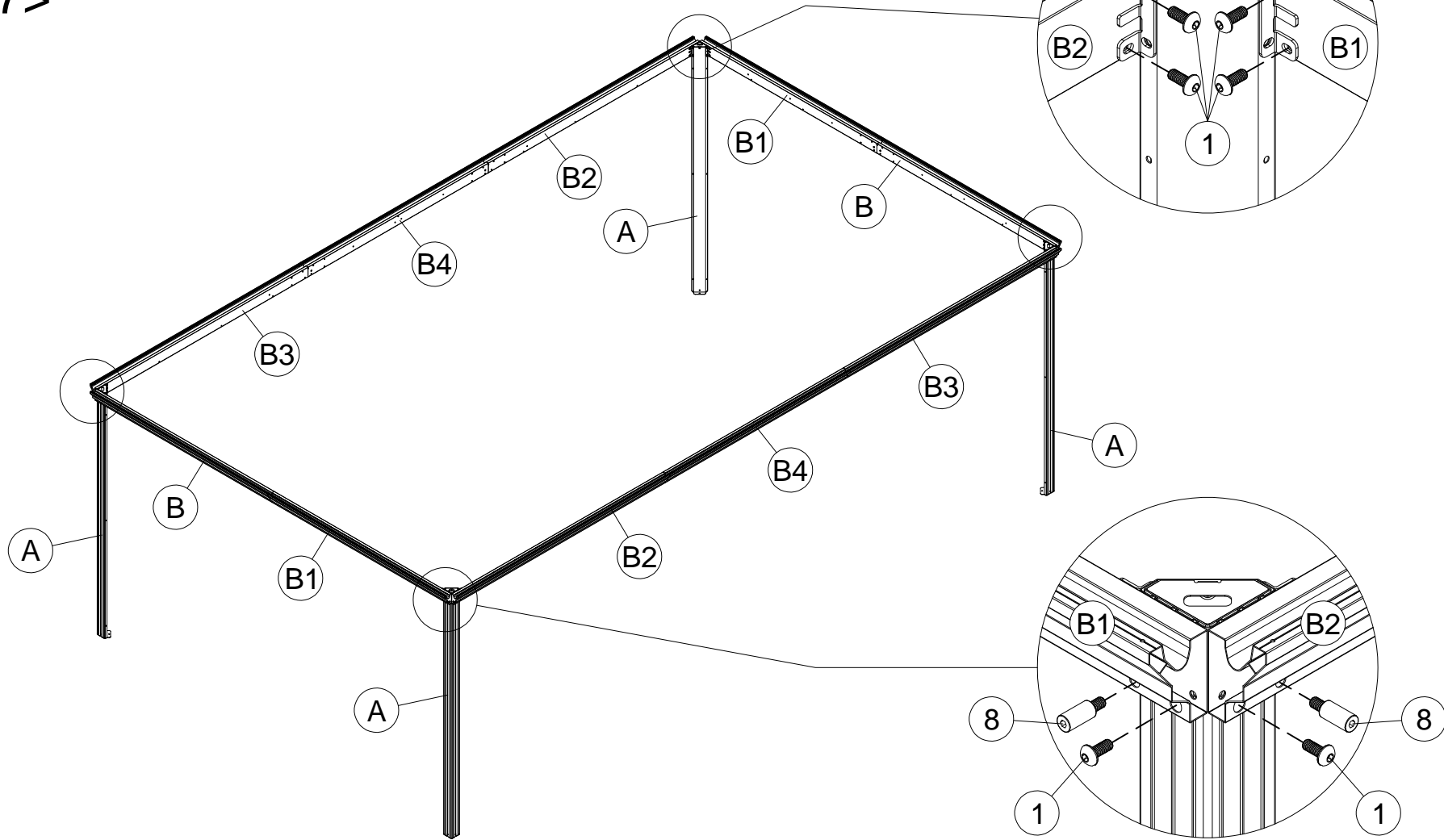


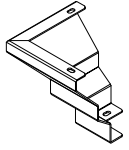
M6x15

1 x24

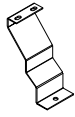
8 x8

<7>





K x4



K1 x6



3 x6

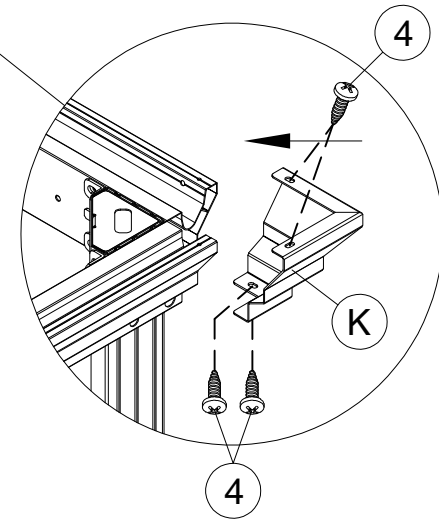
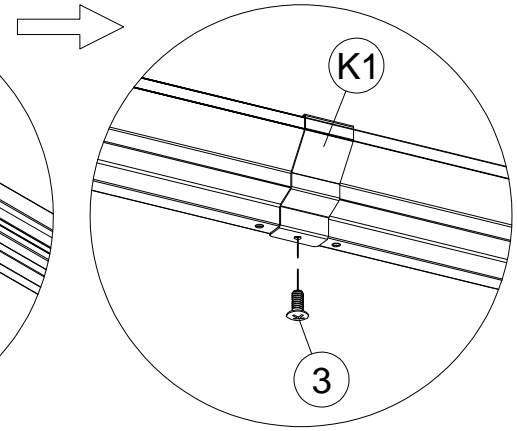
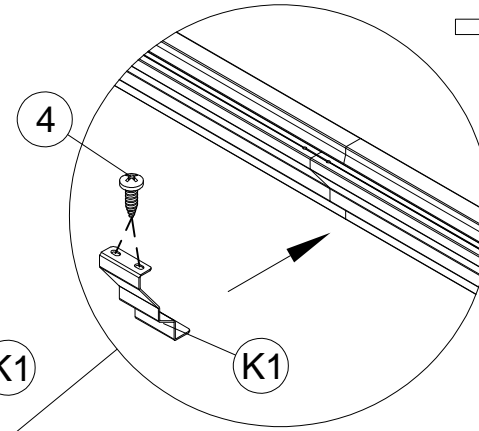
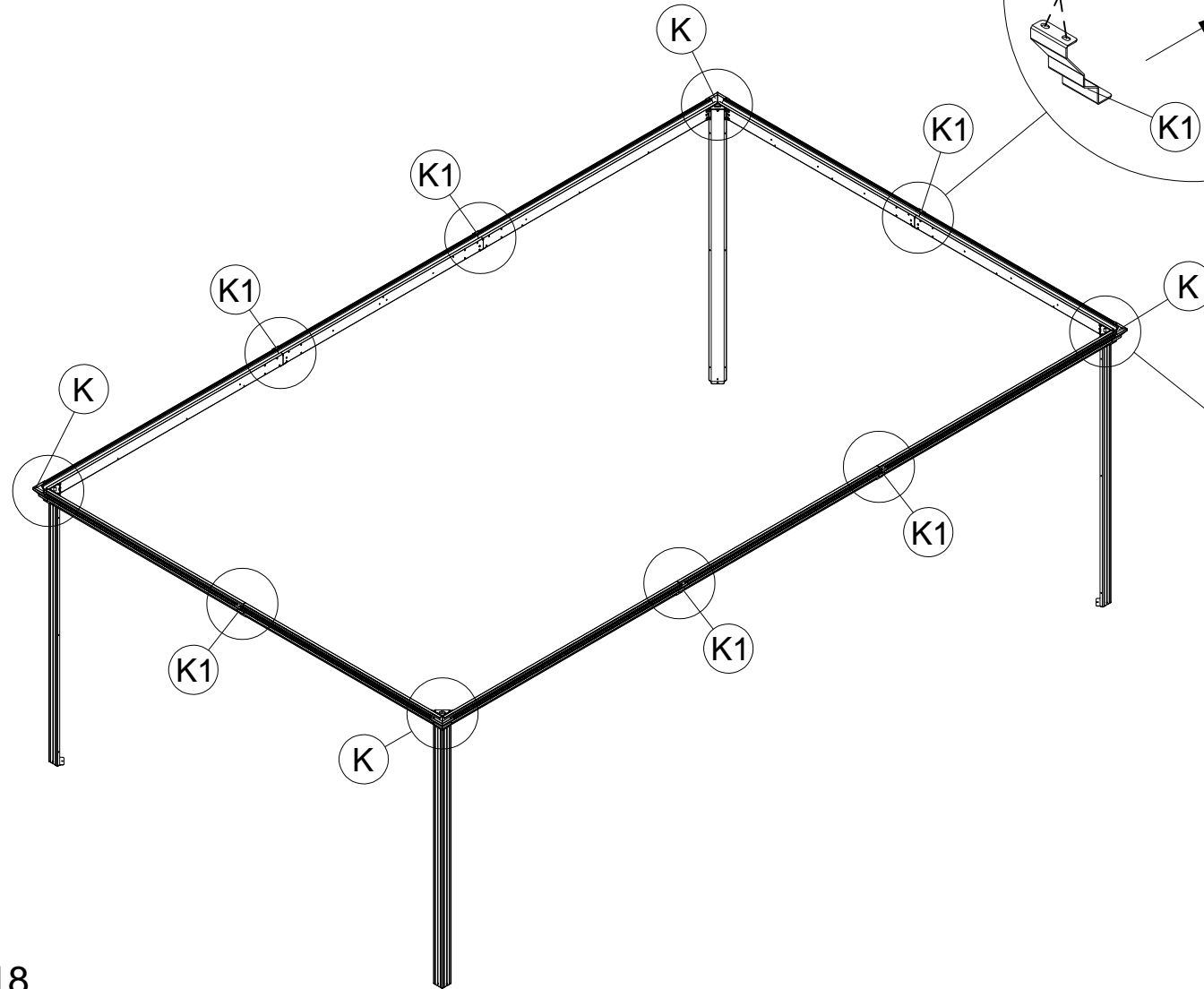
M5x12









4 x28

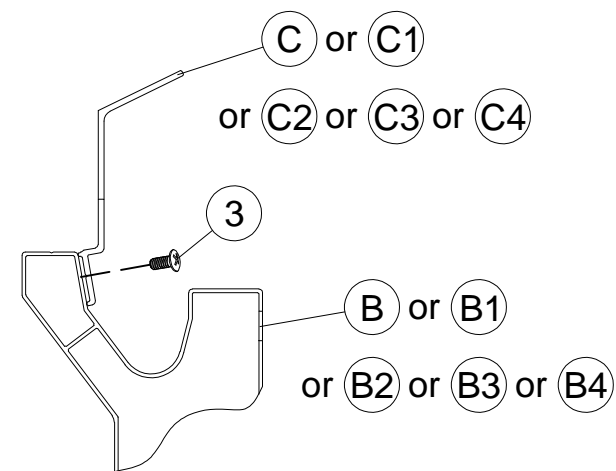
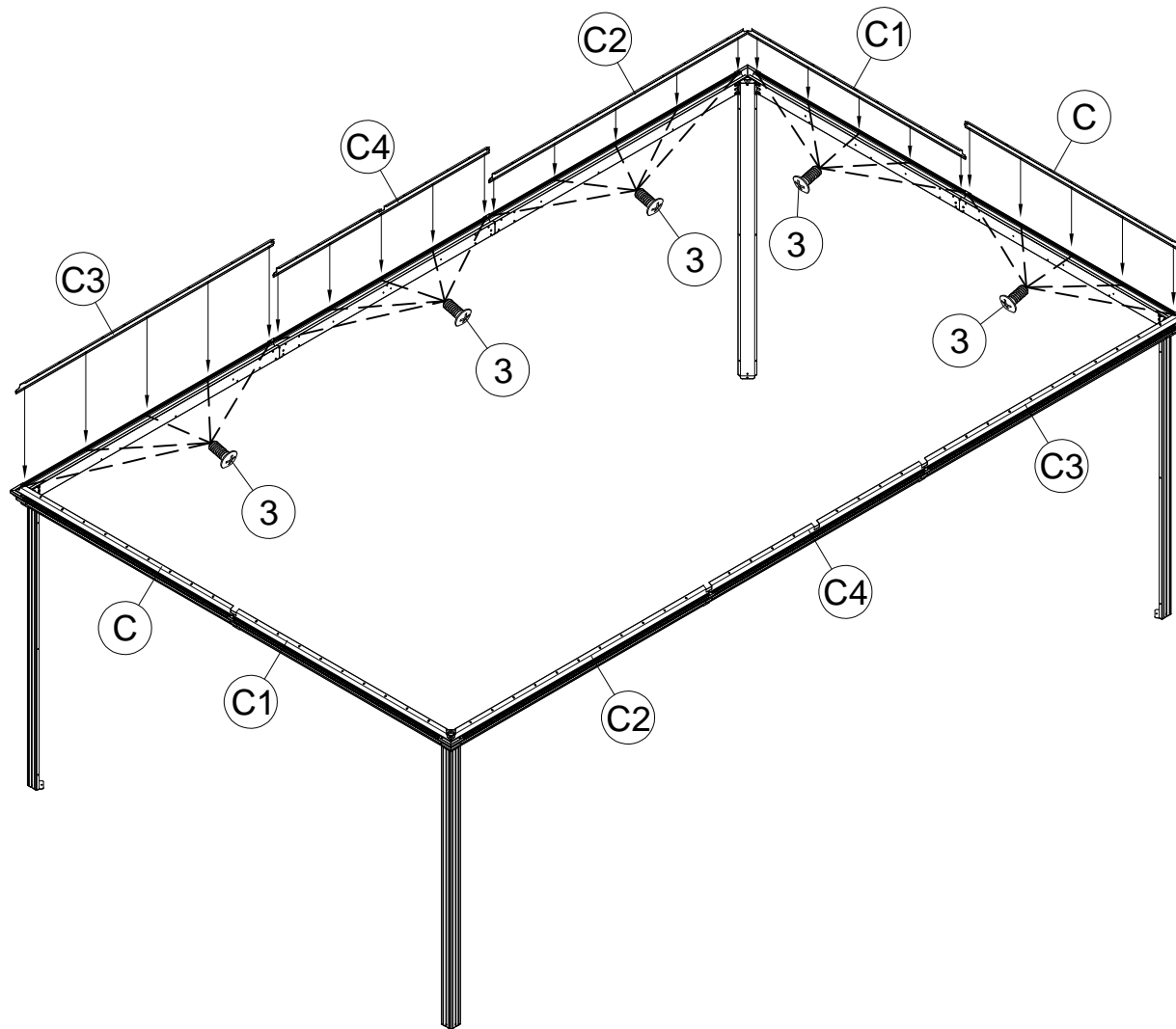
ST4.8x12

<8>

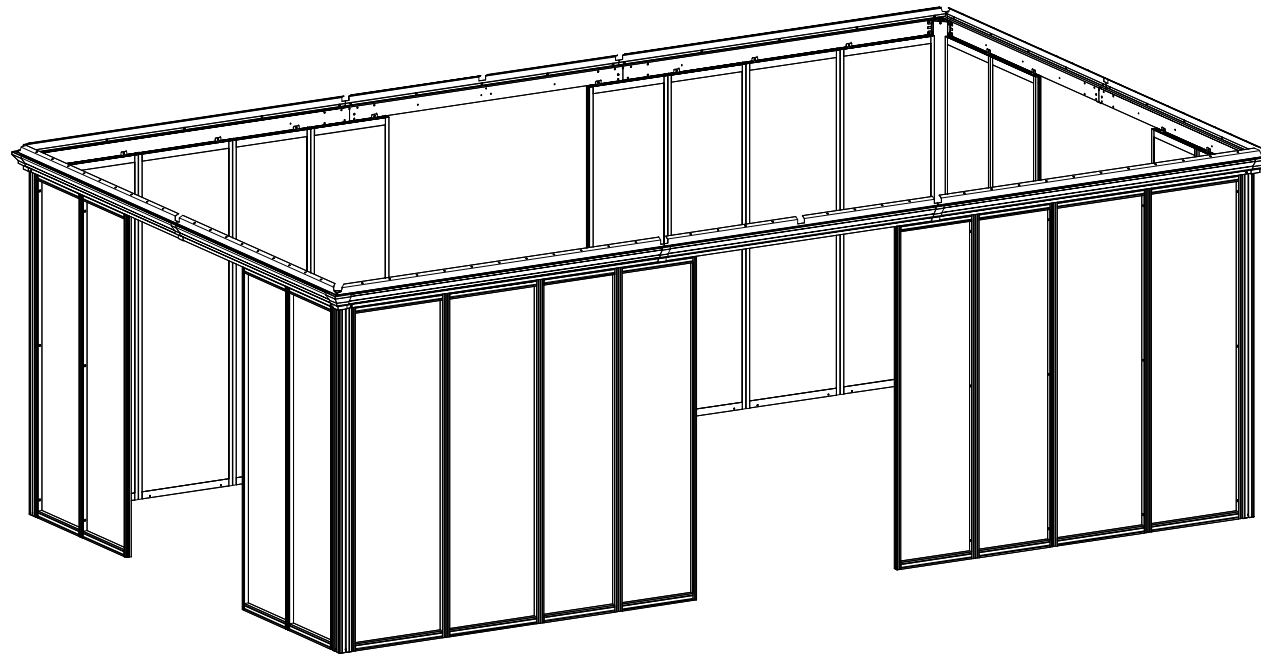


 C x2	 C1 x2	 C2 x2
 C3 x2	 C4 x2	 3 x50 M5x12

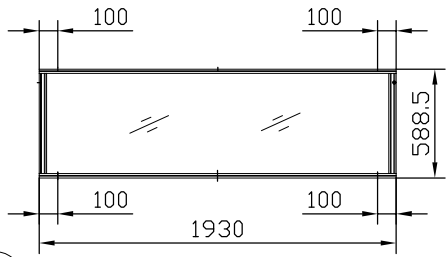
<9>



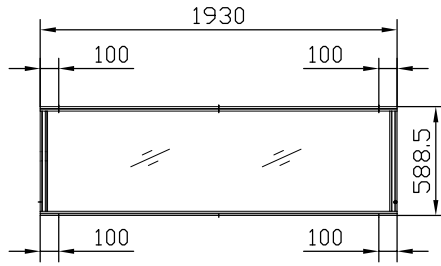
STEP 2



Tips: When installing the screws, don't tighten them all the way first, just roughly hold them in place, and when you're sure that all the parts are installed, then you can tighten the screws to secure the frame.



V5 x2



V6 x2



N5 x4



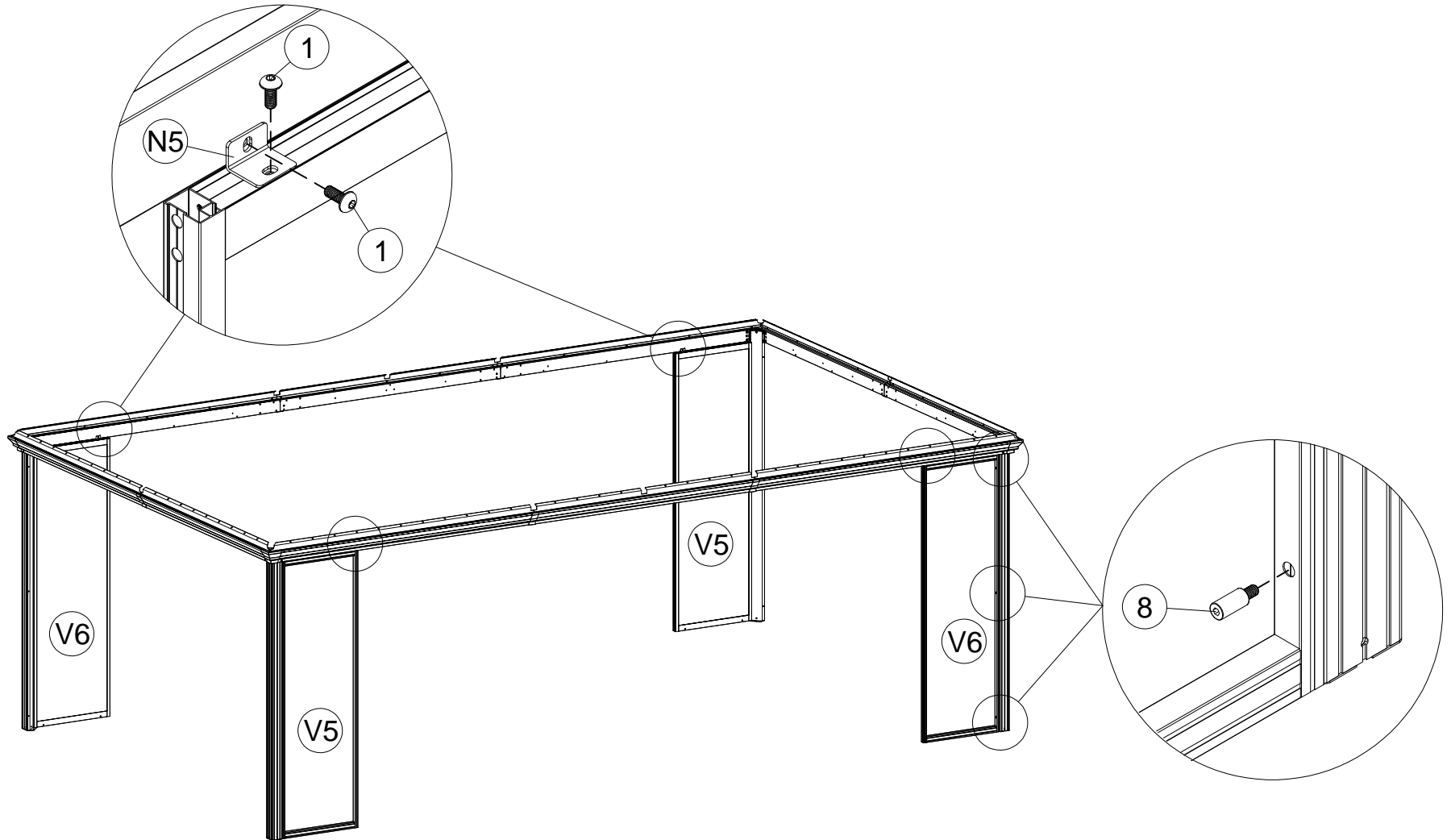
1 x8

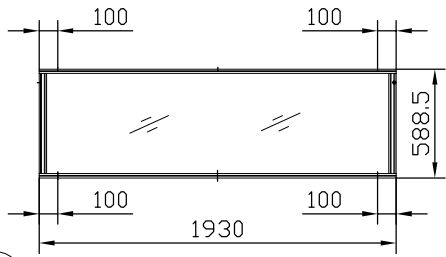
M6x15



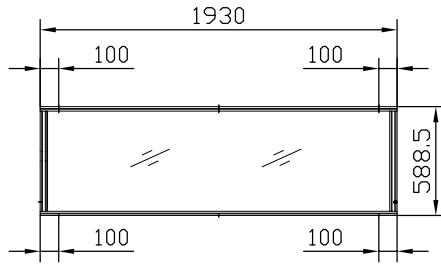
8 x12

<10>





V5 x2



V6 x2



N5 x4



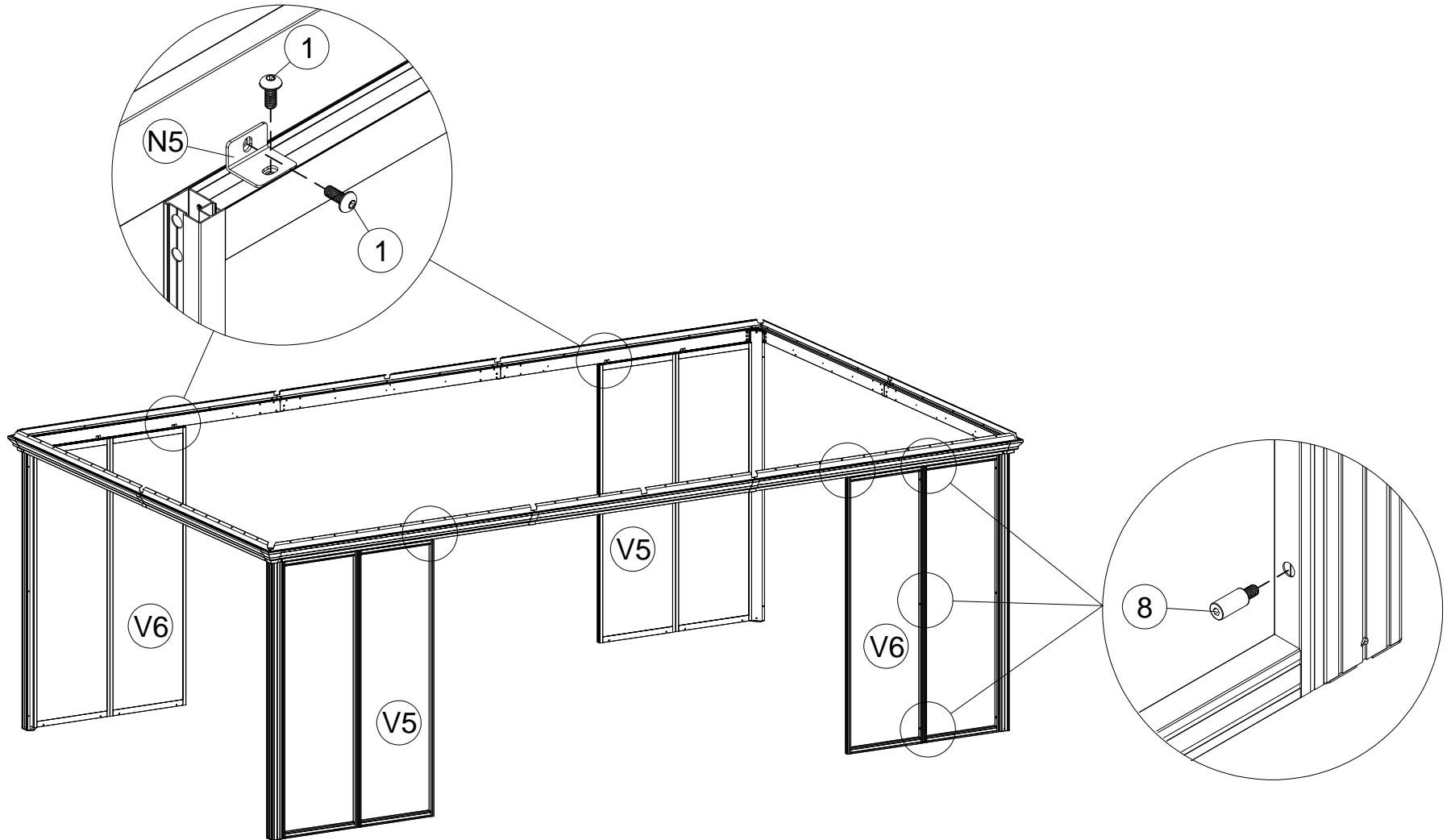
M6x15

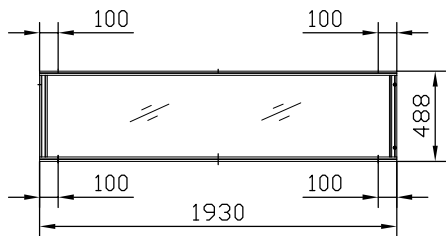
1 x8



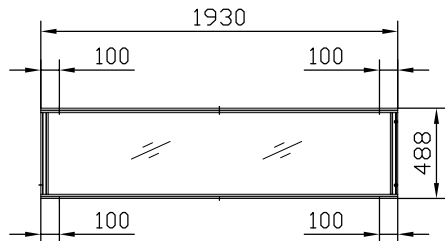
8 x12

<11>





V1 x4



V2 x4



N5 x8



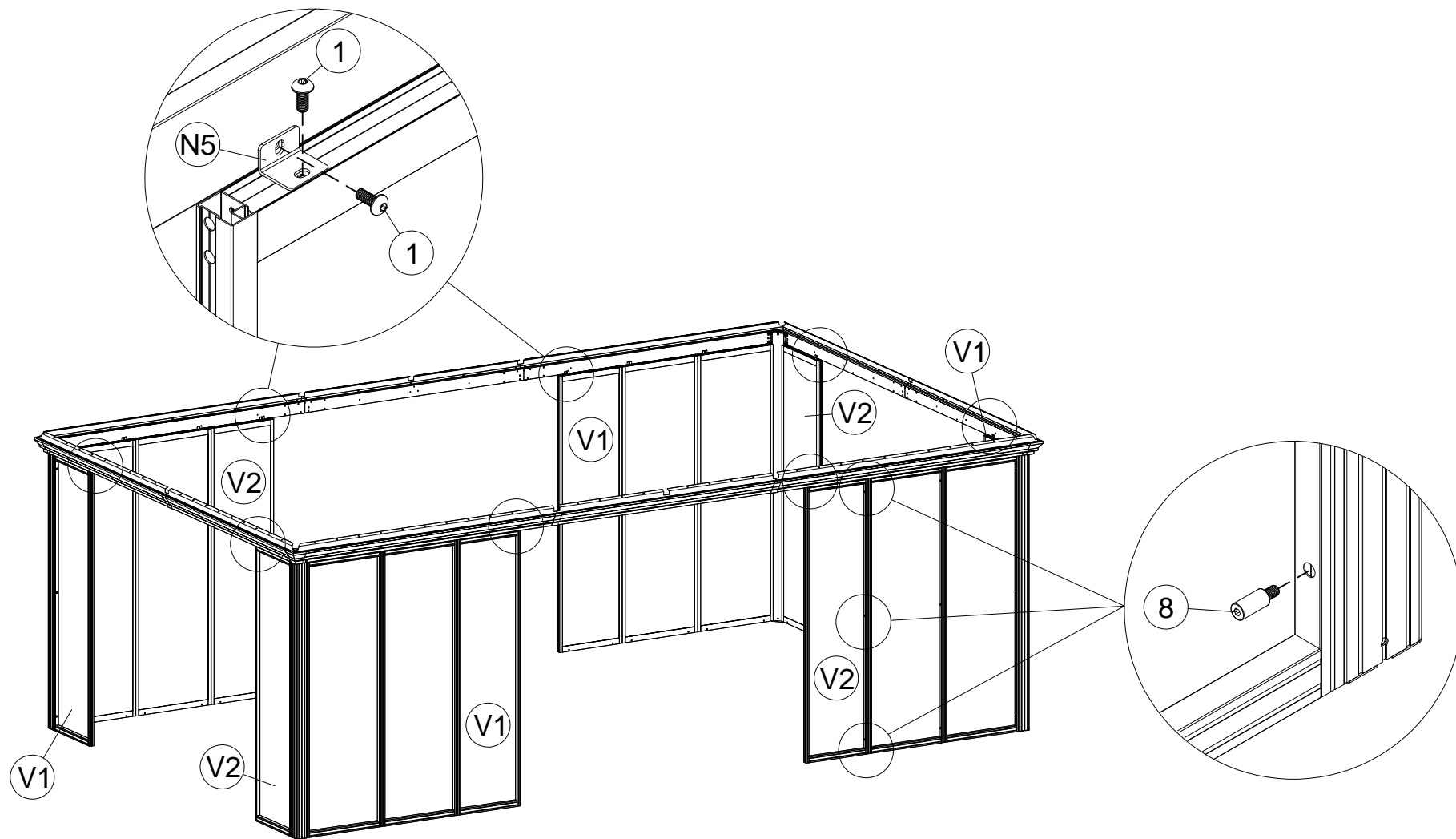
1 x16

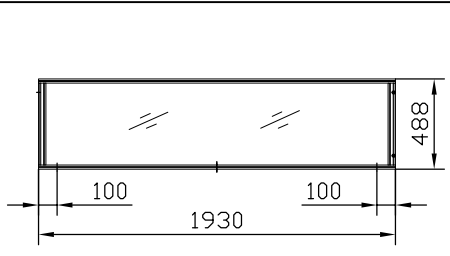
M6x15



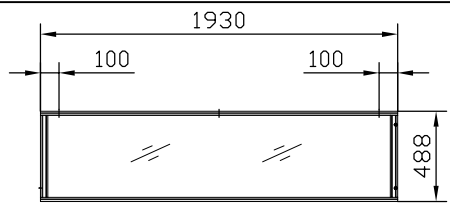
8 x24

<12>

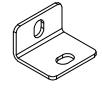




V3 x4



V4 x4



N5 x8

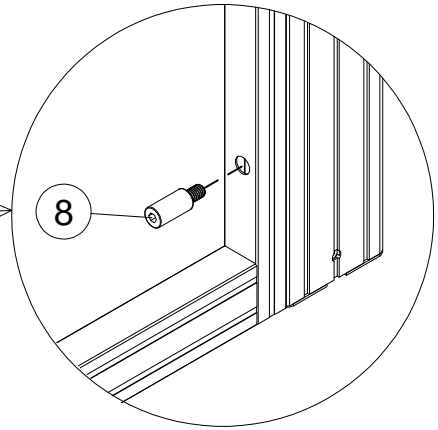
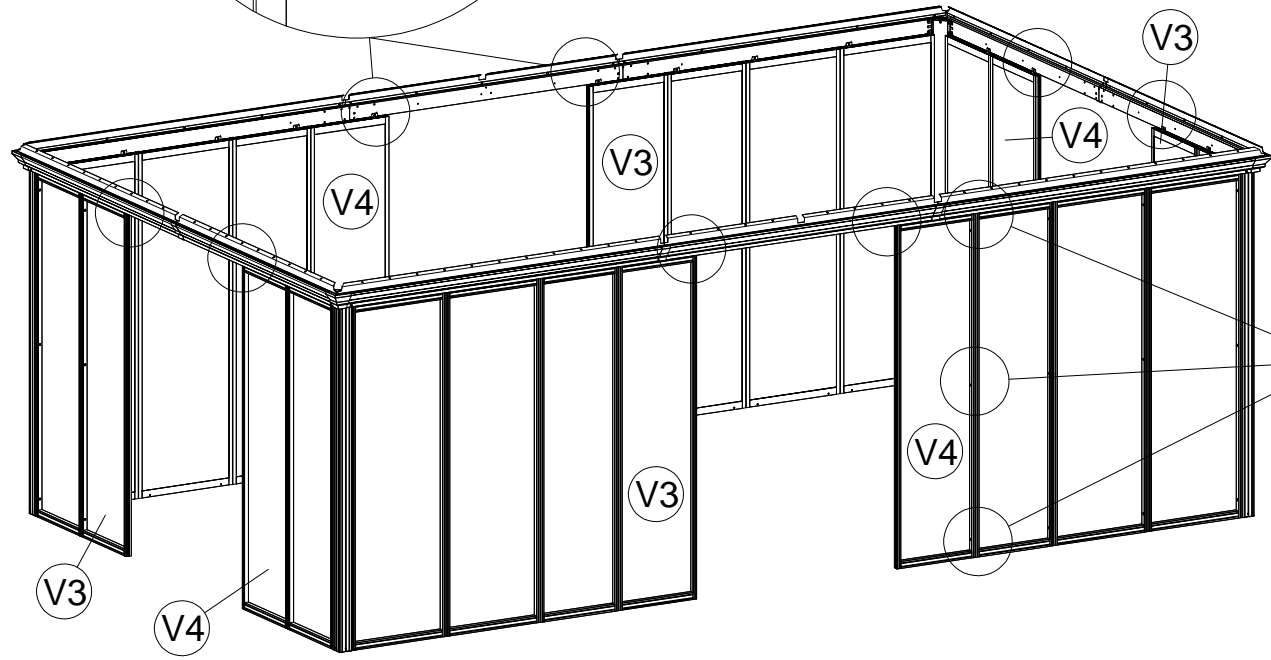
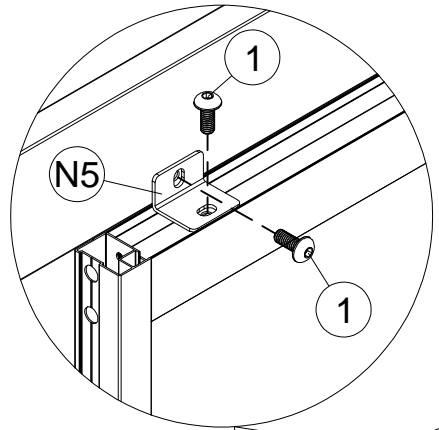


1 x16
M6x15

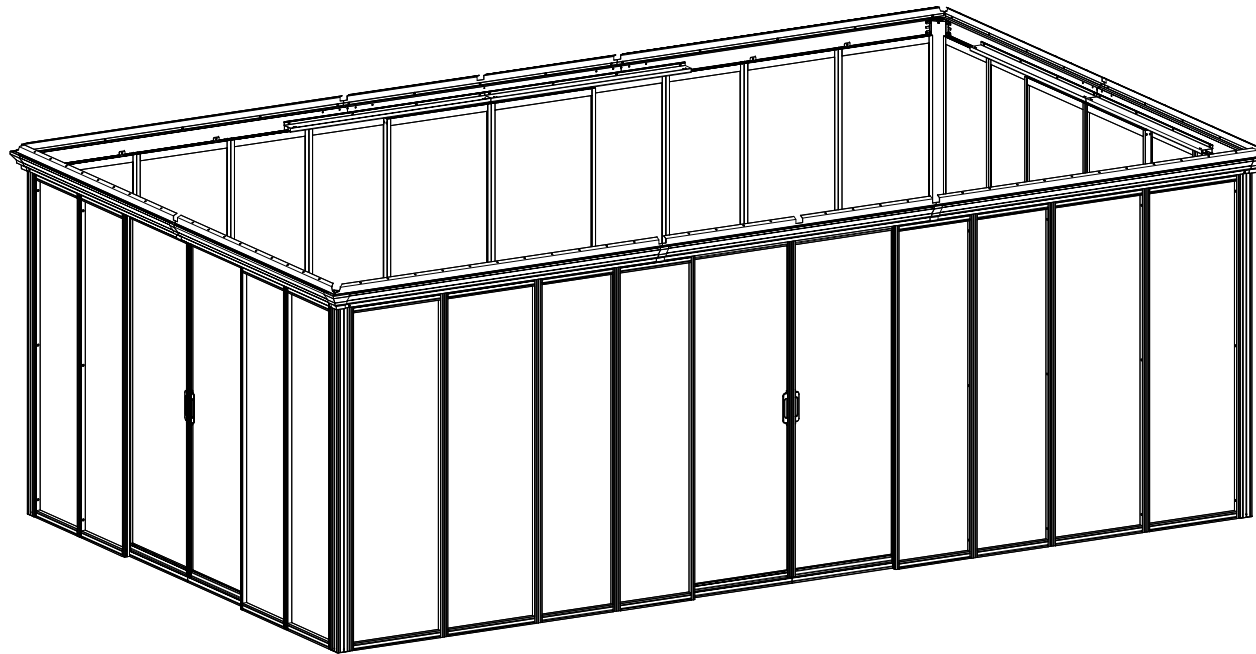


8 x24

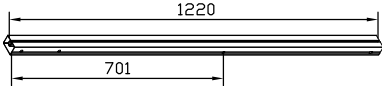
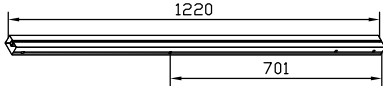

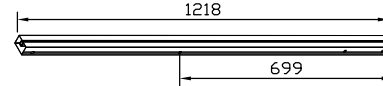
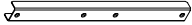

<13>



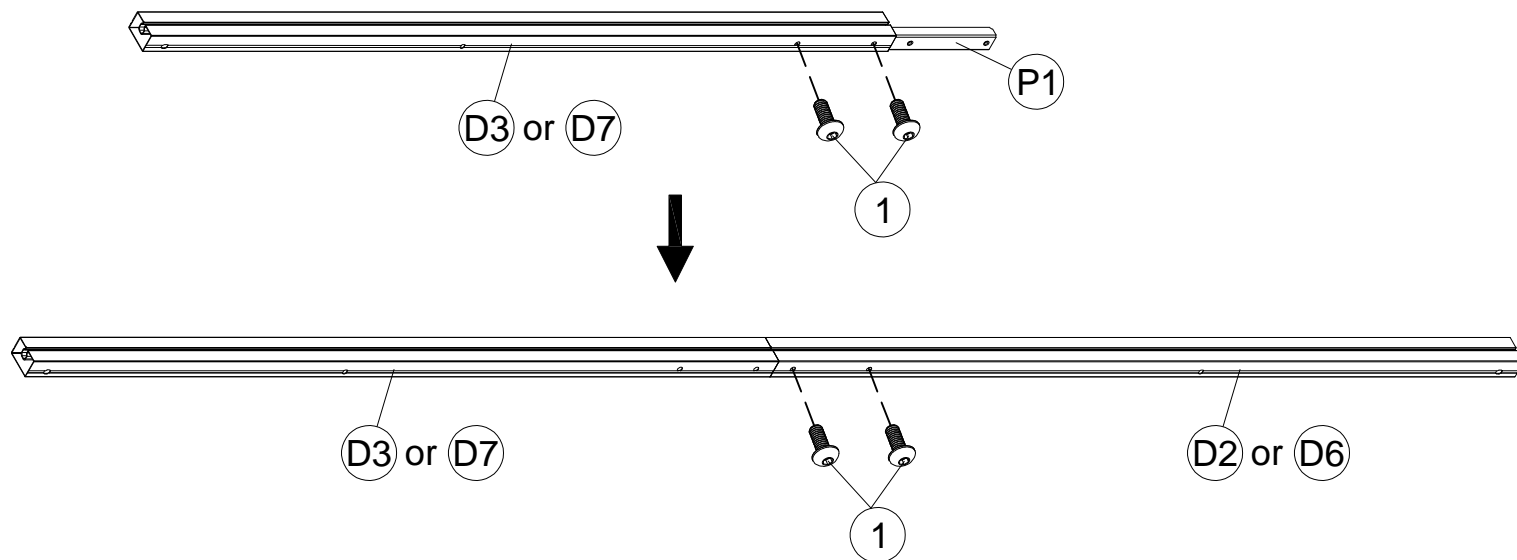
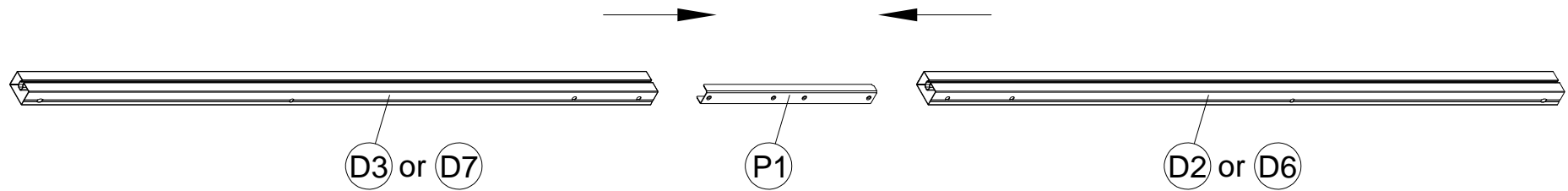
STEP 3



Tips: When installing the screws, don't tighten them all the way first, just roughly hold them in place, and when you're sure that all the parts are installed, then you can tighten the screws to secure the frame.

 <p>(D2) x4</p>	 <p>(D3) x4</p>	 <p>(D6) x2</p>	 <p>(D7) x2</p>
 <p>(P1) x4</p>	 <p>(1) x16 M6x15</p>		

<14>





(N5) x16

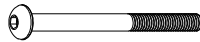


(N6) x8



(1) x16

M6x15

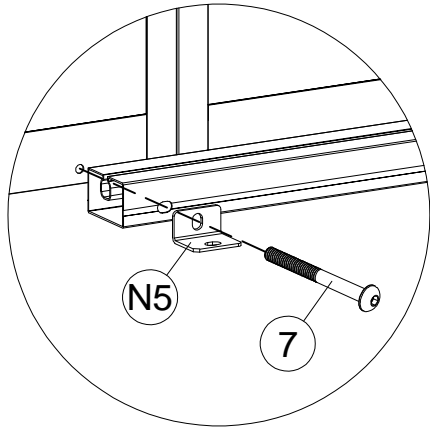


(7) x16

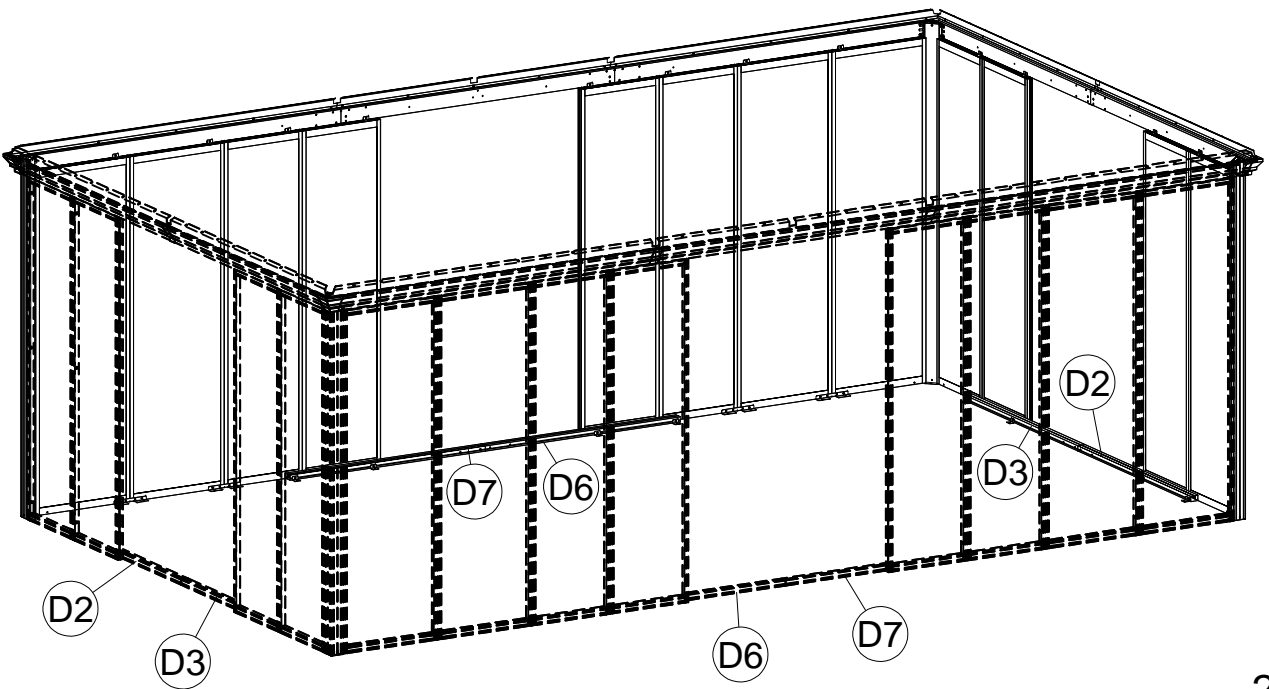
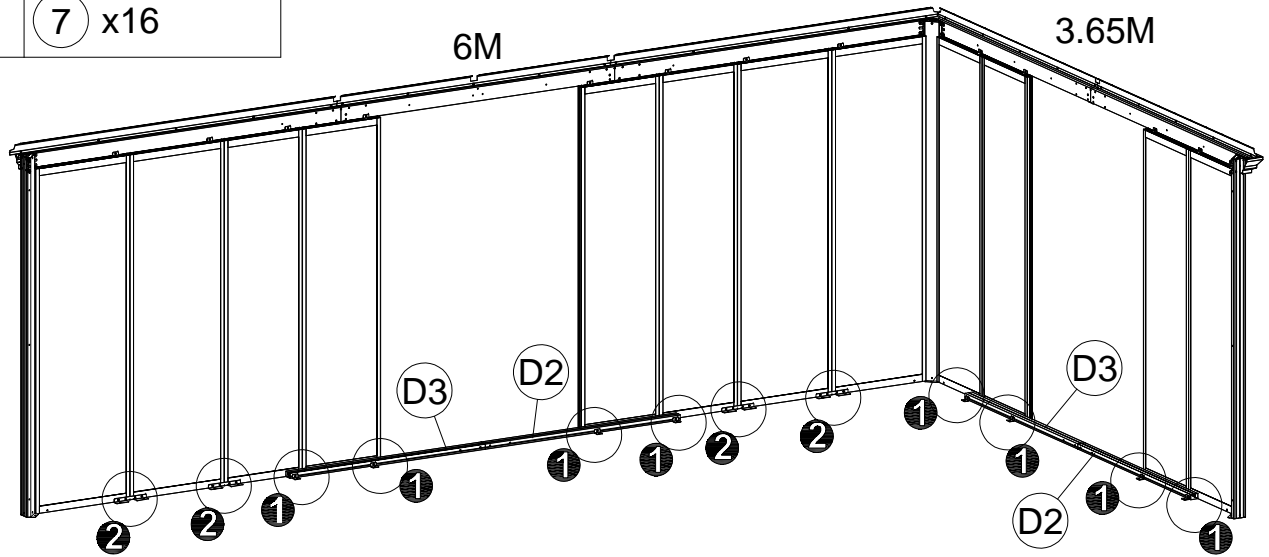
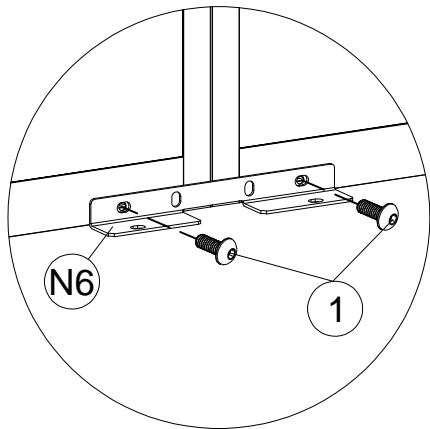
M6x60

<15>

1



2

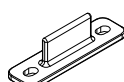




V7 x4



U2 x8



U3 x8



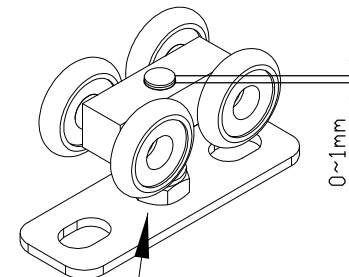
M6x15

1 x16

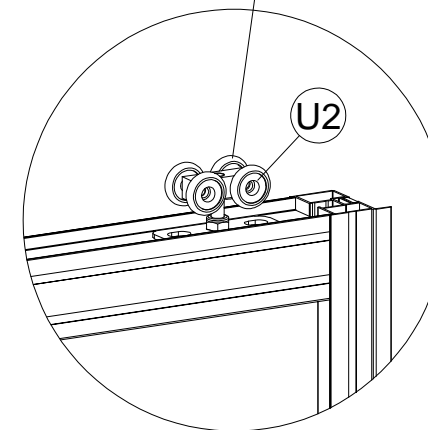
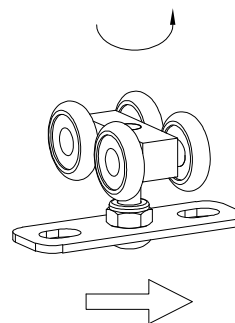
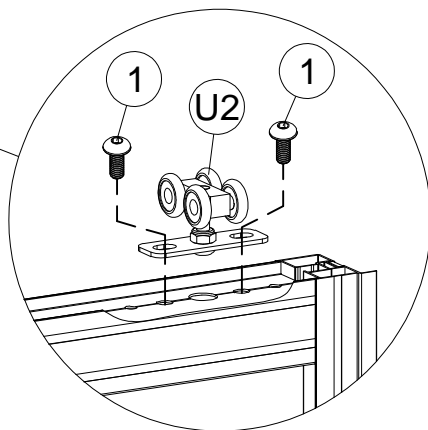


M6x15

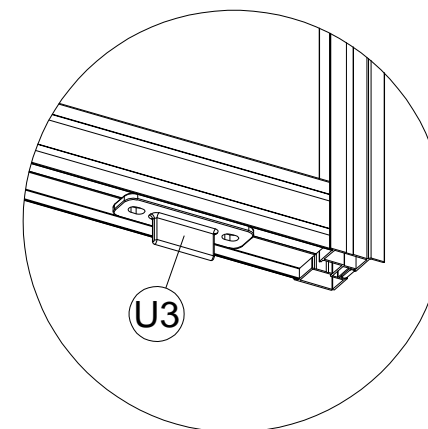
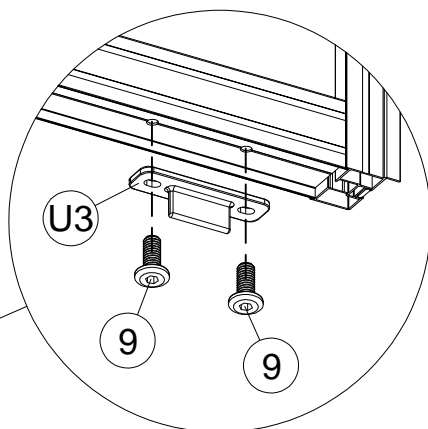
9 x16

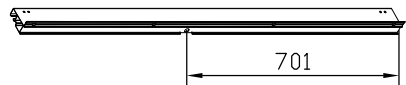


<16>

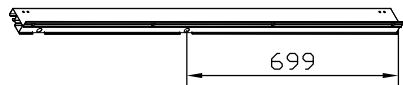


After installing the pulley, rotate the pulley left or right until the middle screw is in the same level of the block, max 0-1mm higher than the block.





(D) x2



(D4) x2



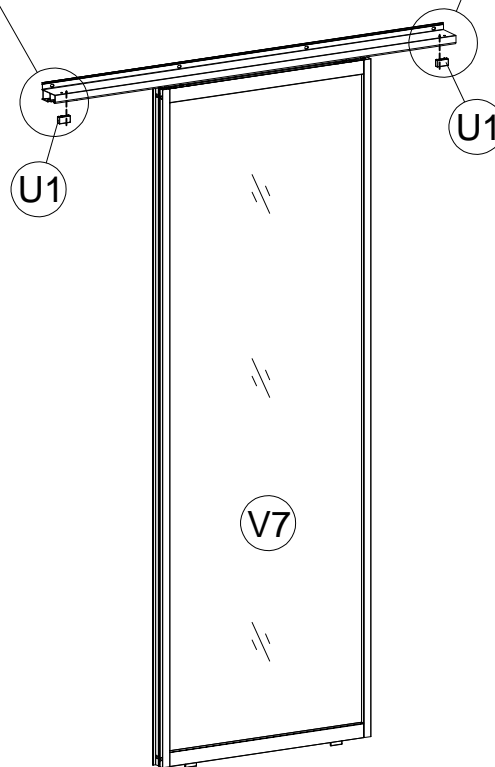
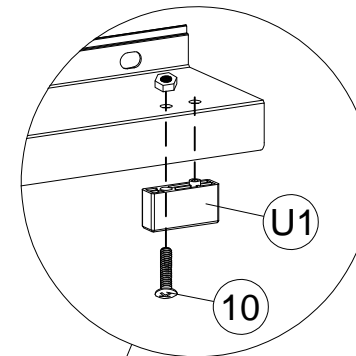
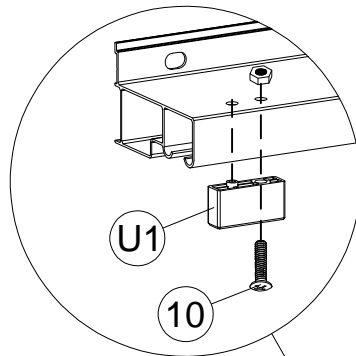
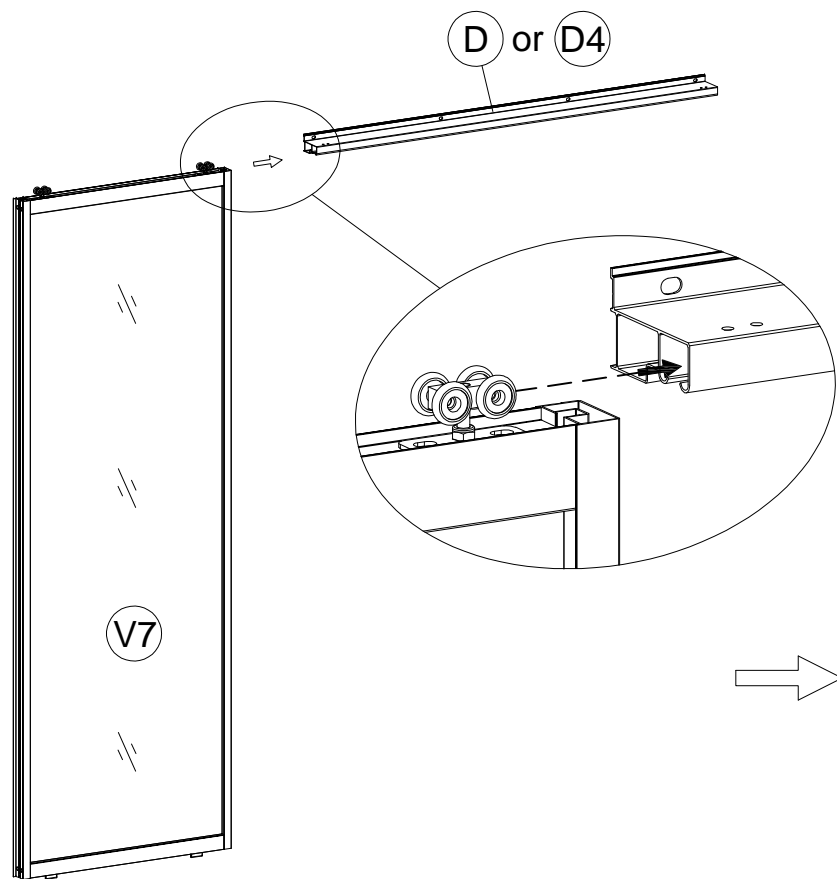
(U1) x8

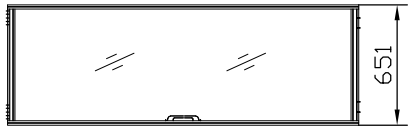


M5x25

(10) x8

<17>

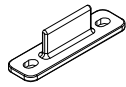




V8 x4



U2 x8



U3 x8



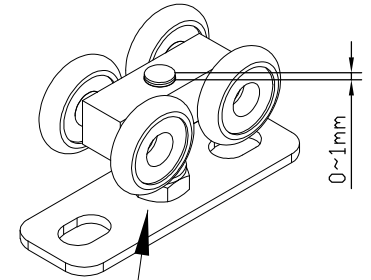
1 x16

M6x15

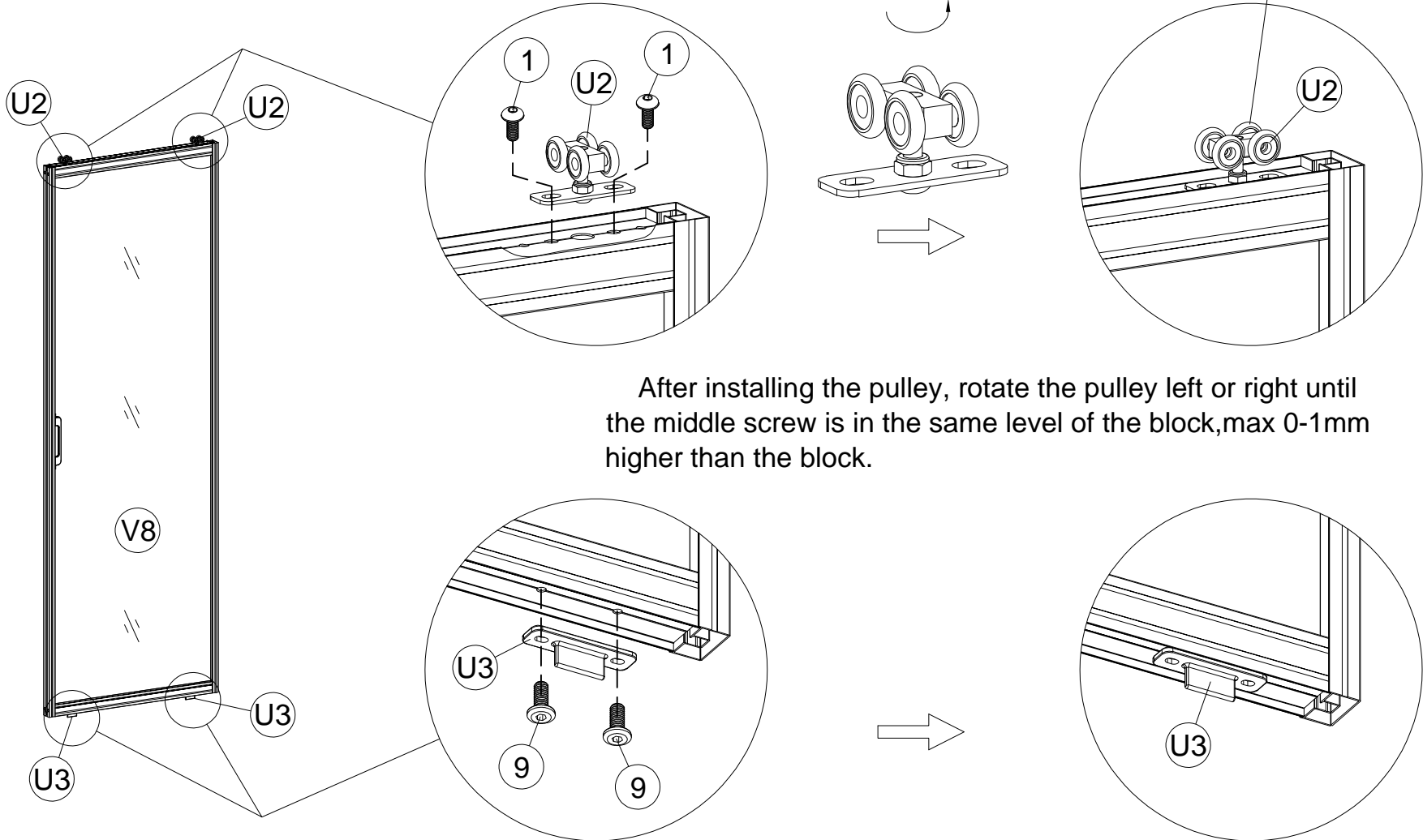


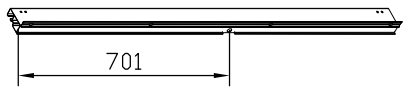
9 x16

M6x15

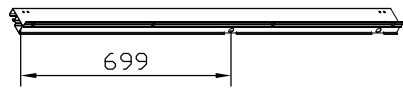


<18>





(D1) x2



(D5) x2



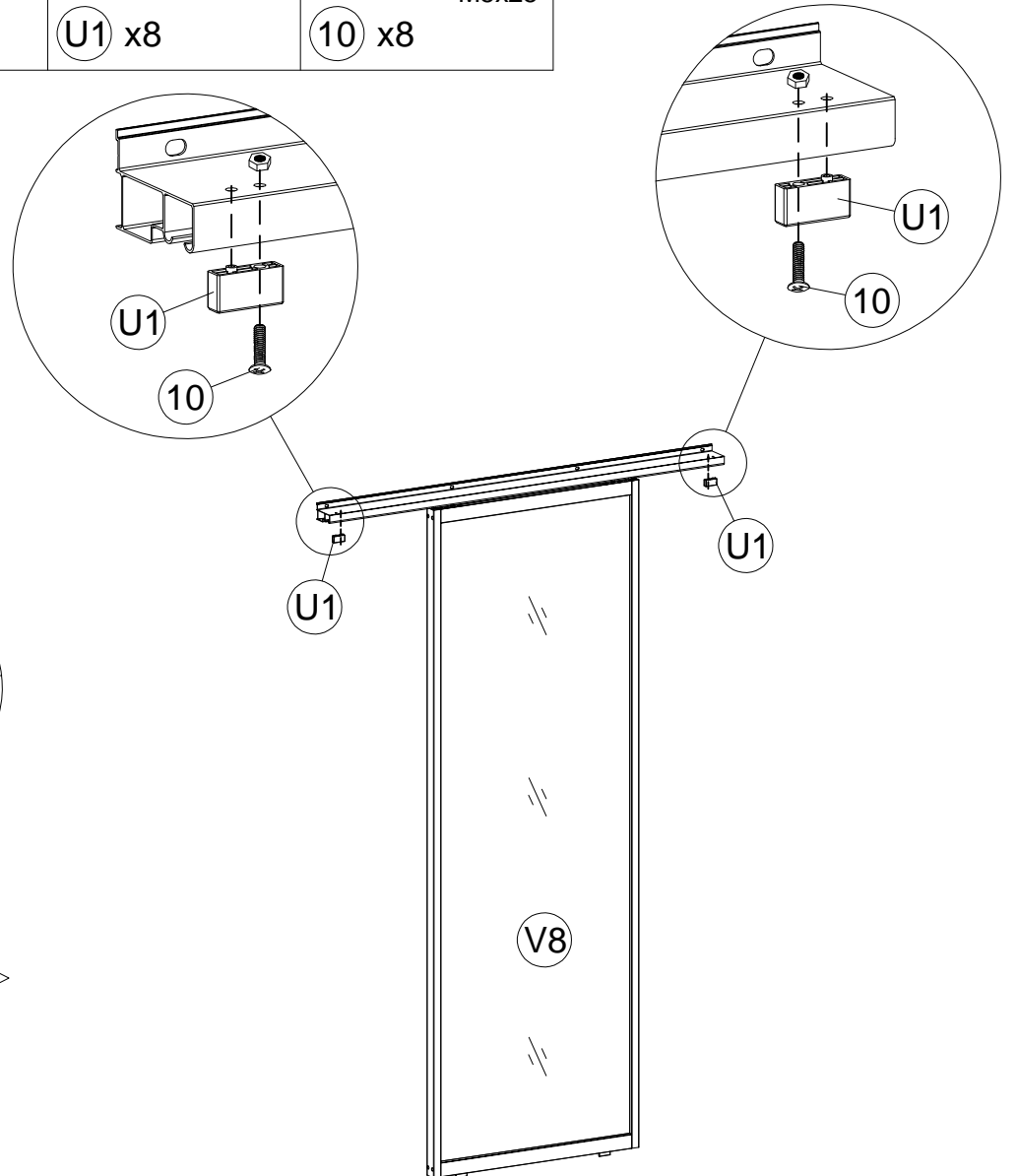
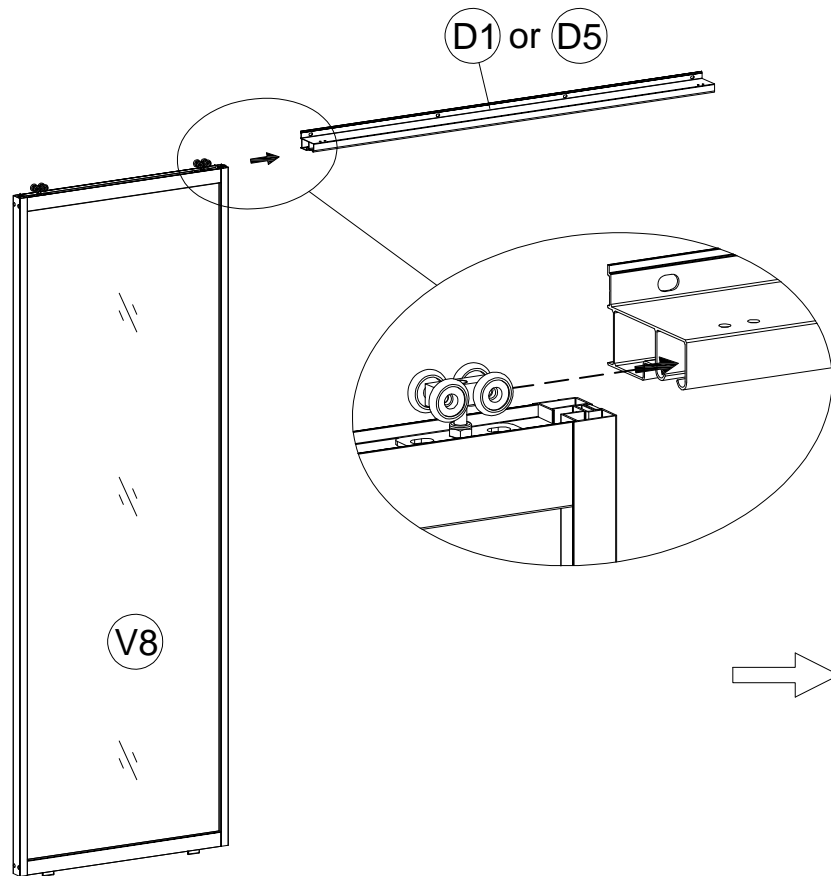
(U1) x8



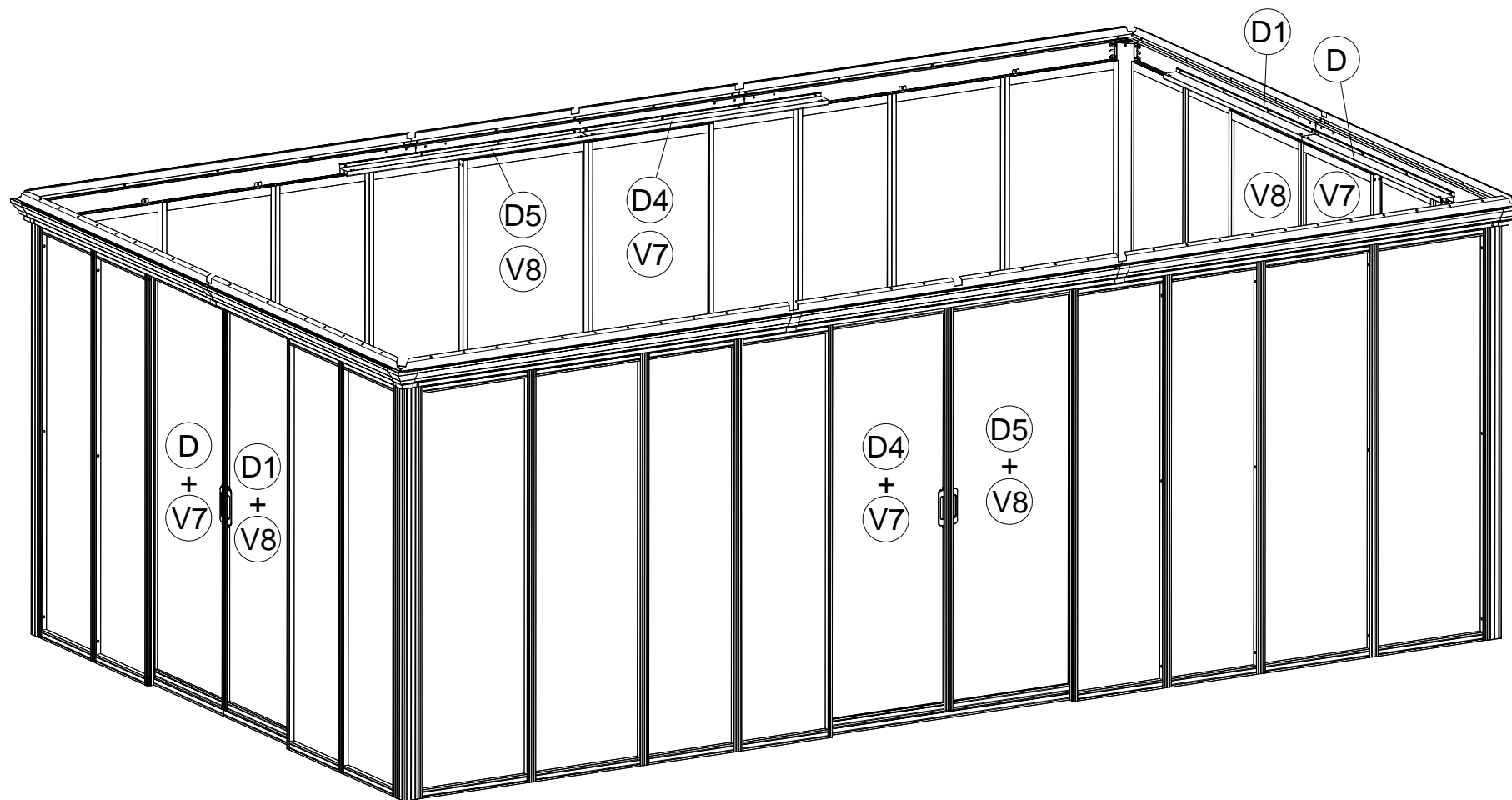
(10) x8

M5x25

<19>



<20>

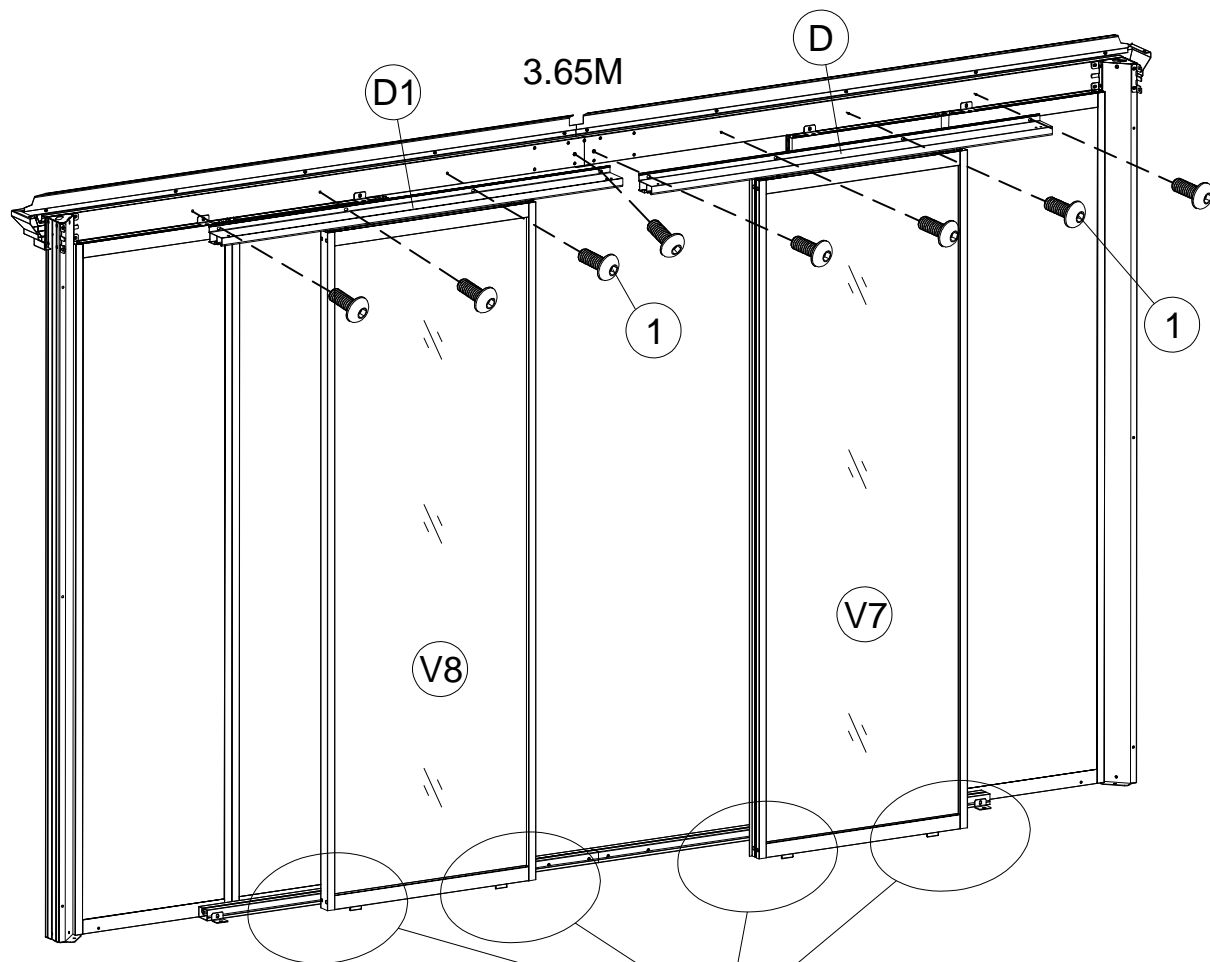




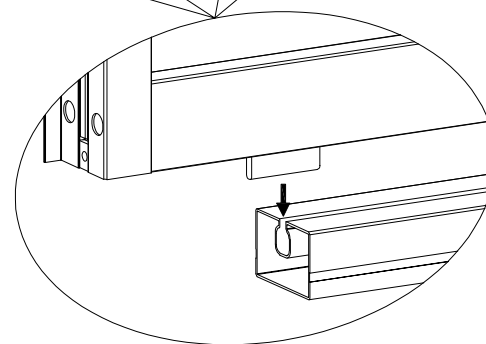
M6x15

1 x16

<21>



After installation, if the sliding doors can not slide smoothly, or the left door and right door do not close properly, remove No.1 screw and return to P28. Readjust the height of the pulley until all the above issues are solved.

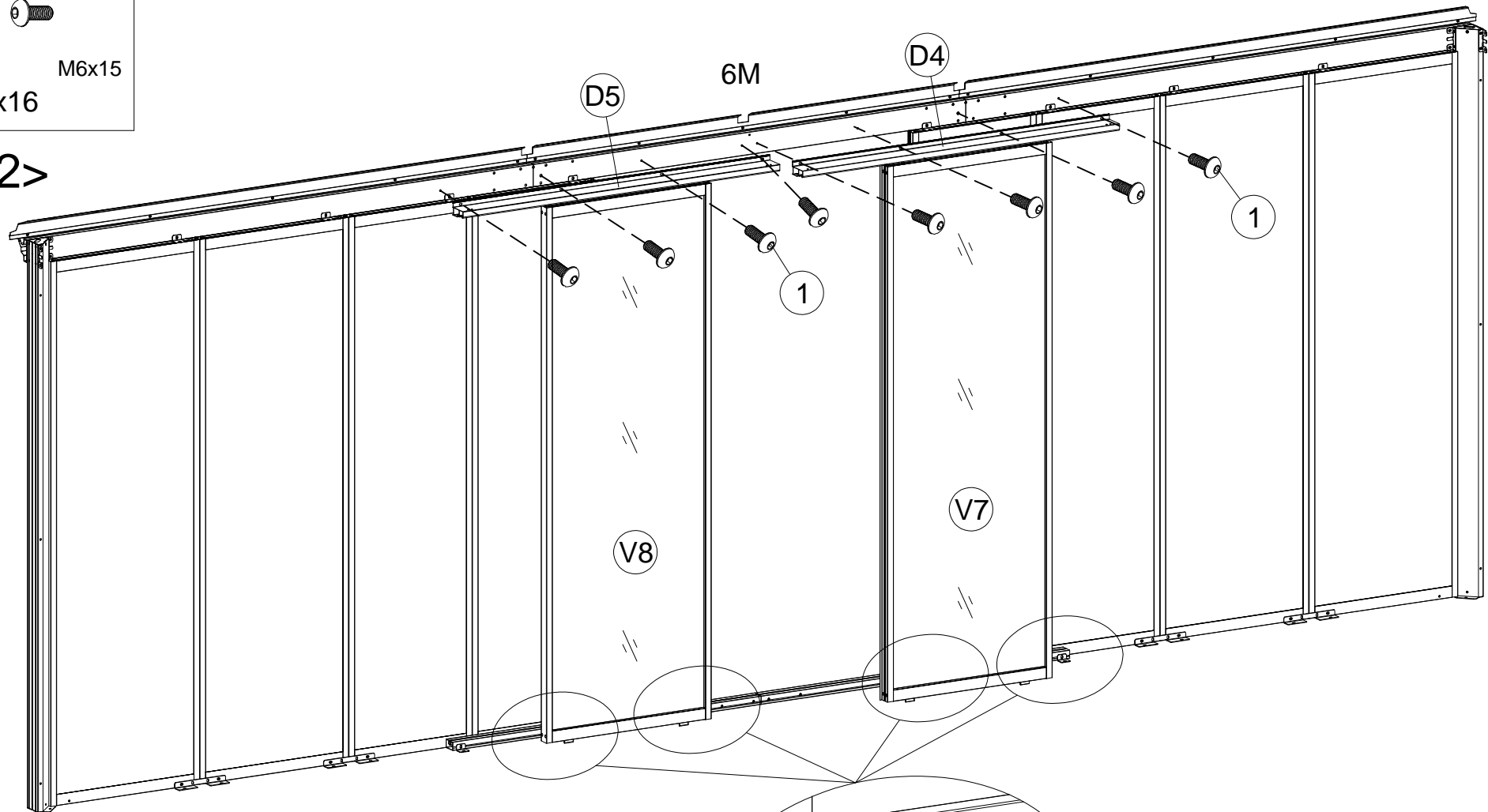




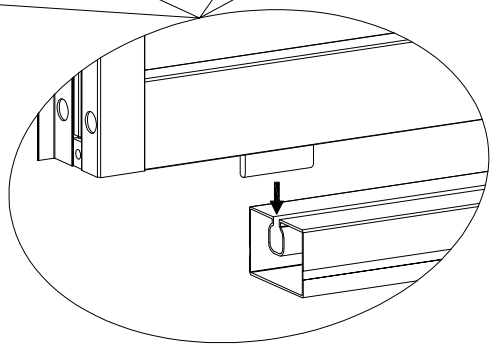
M6x15

1 x16

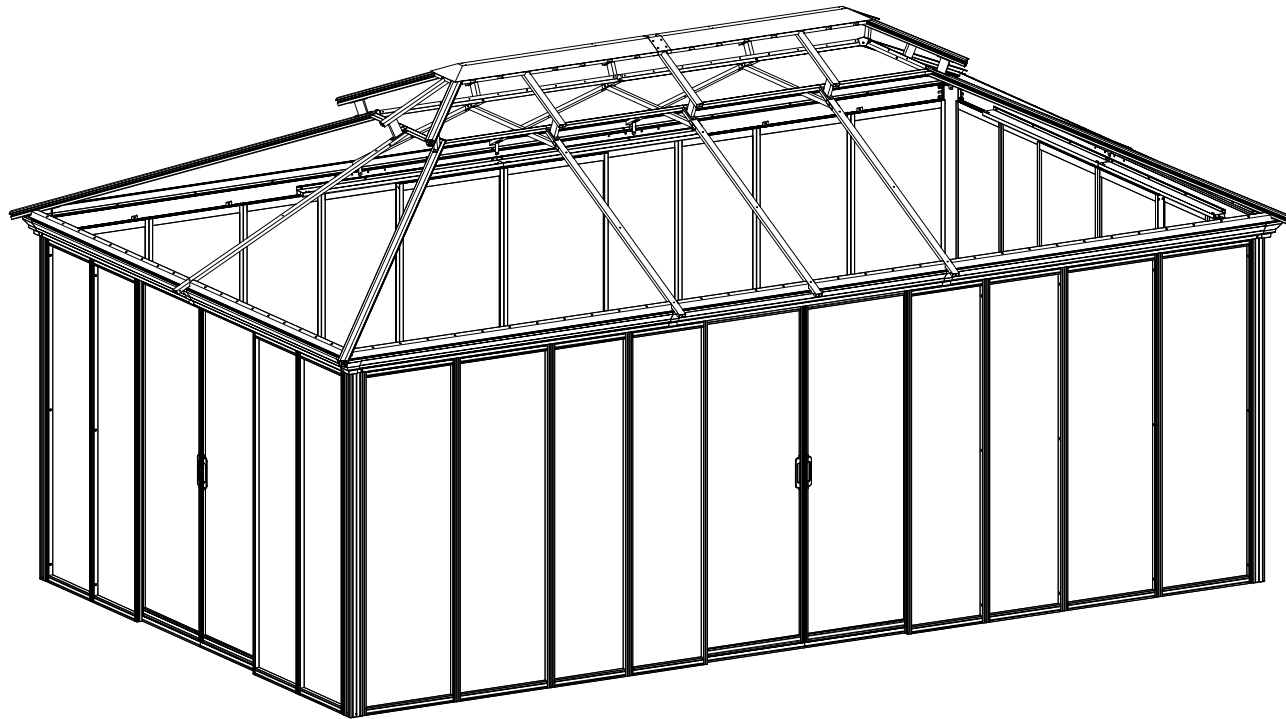
<22>



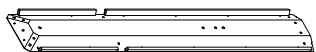
After installation, if the sliding doors can not slide smoothly, or the left door and right door do not close properly, remove No.1 screw and return to P28. Readjust the height of the pulley until all the above issues are solved.



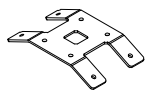
STEP 4



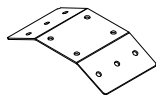
Tips: When installing the screws, don't tighten them all the way first, just roughly hold them in place, and when you're sure that all the parts are installed, then you can tighten the screws to secure the frame.



L x2



L1 x1



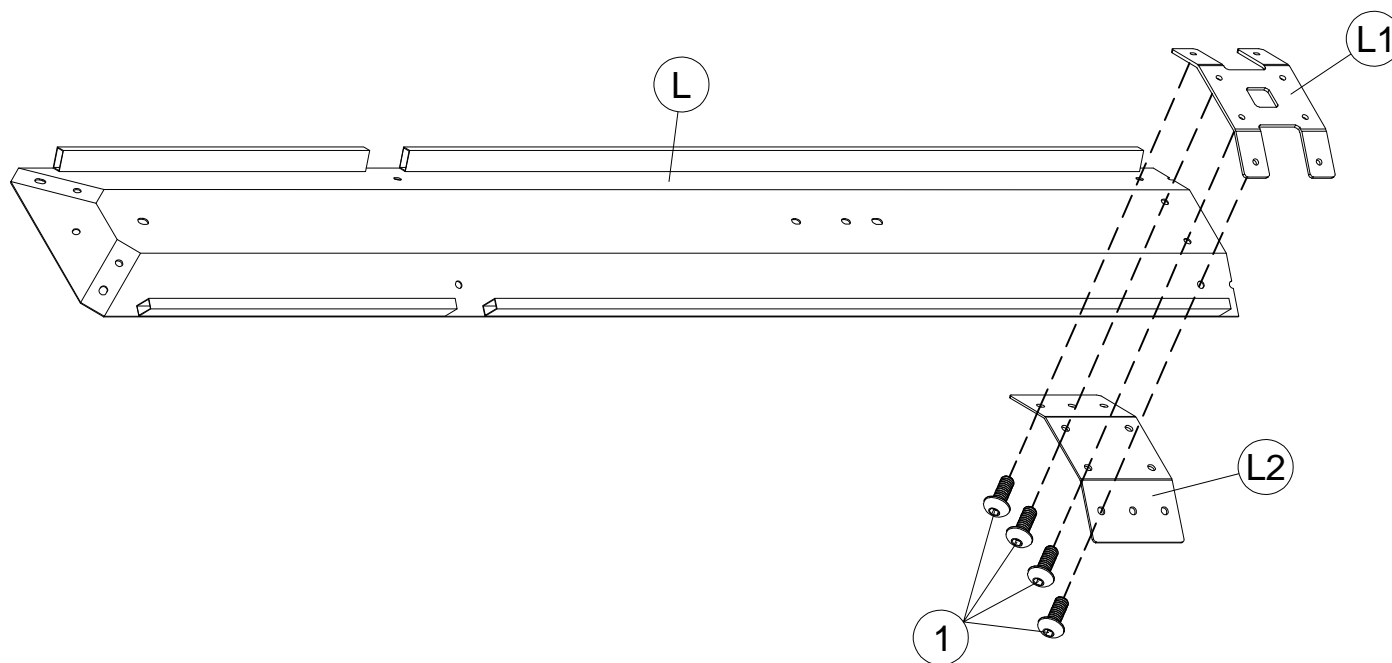
L2 x1



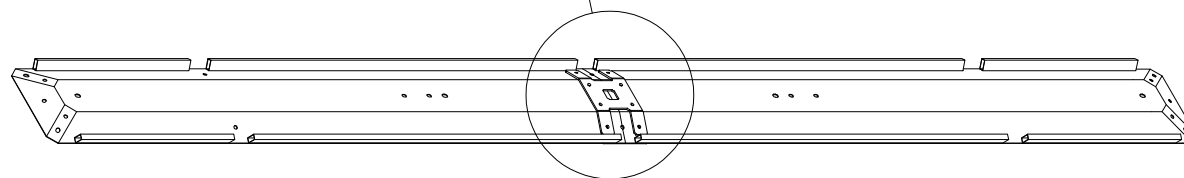
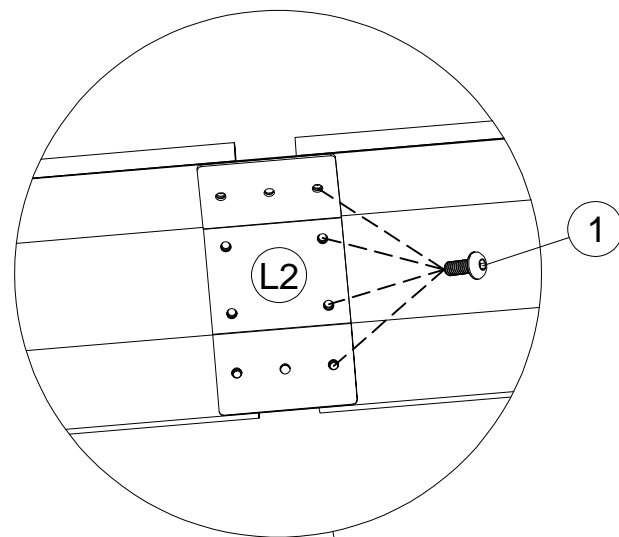
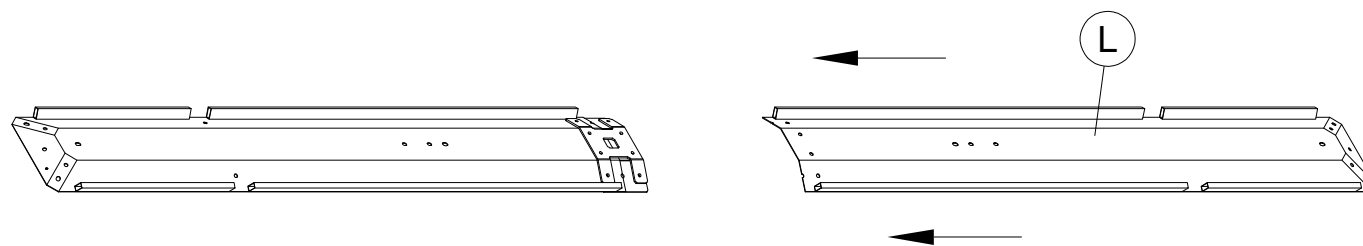
M6x15

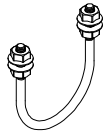
1 x8

<23>



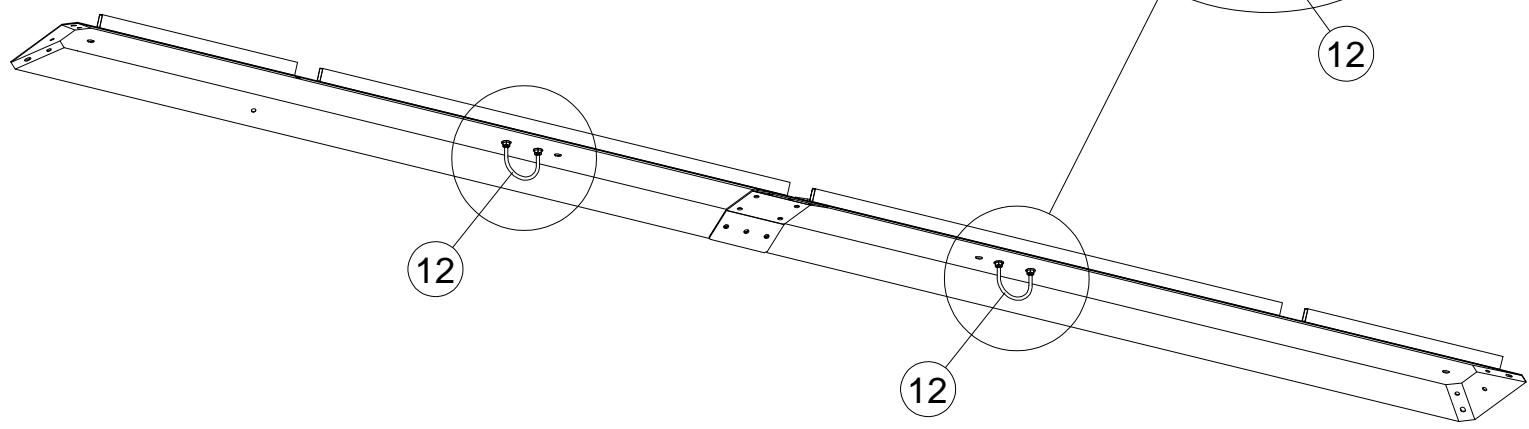
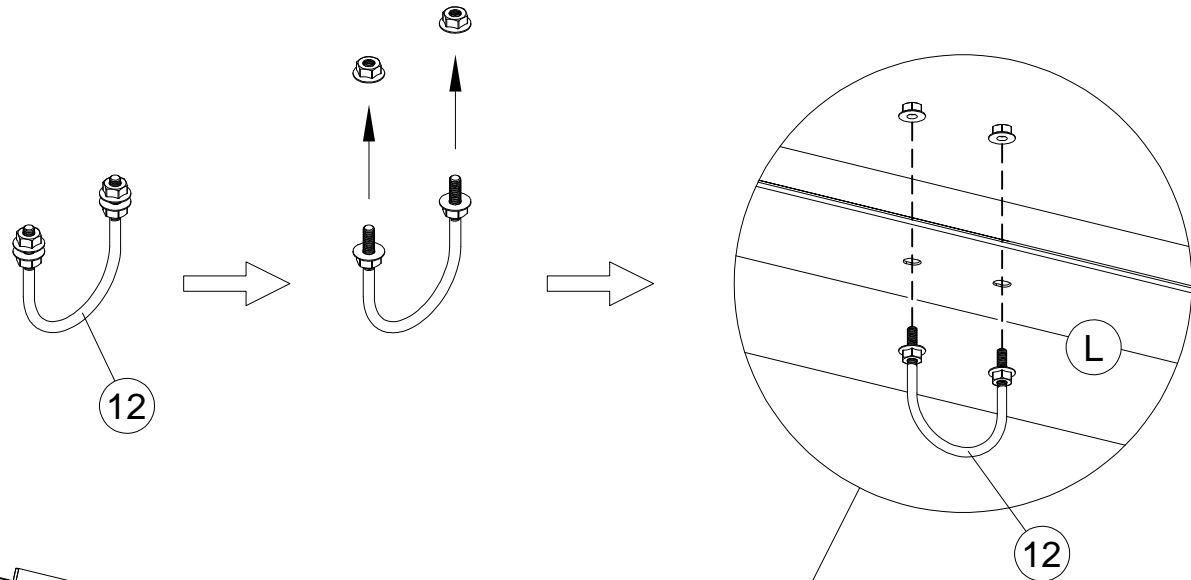
<24>





12 x2

<25>





E x4



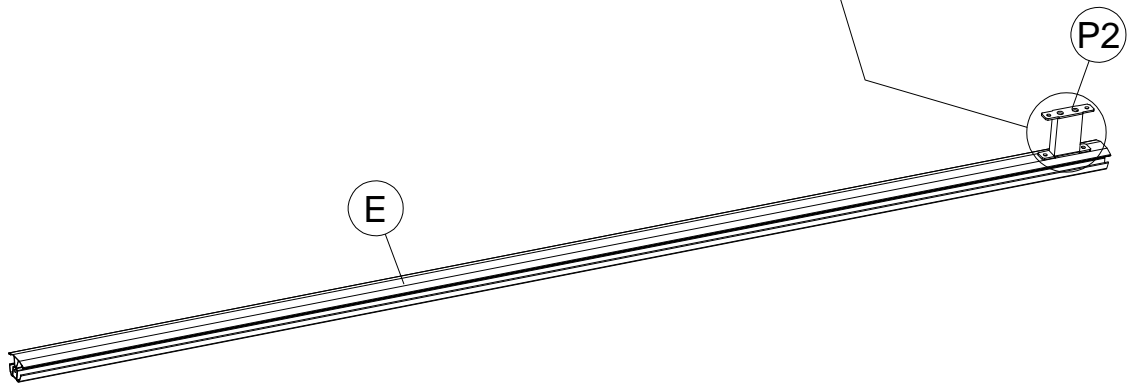
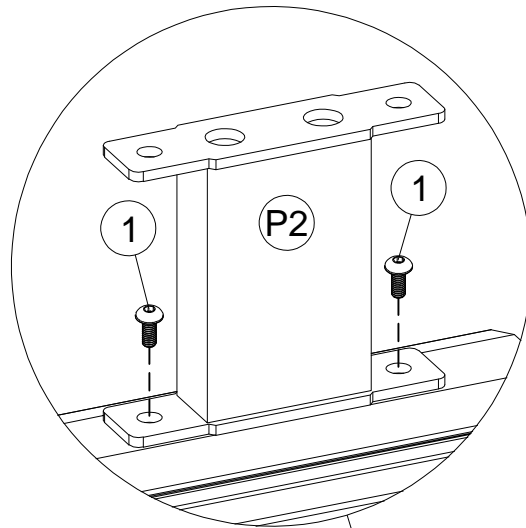
P2 x4



M6x15

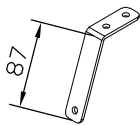
1 x8

<26>





U5 x4



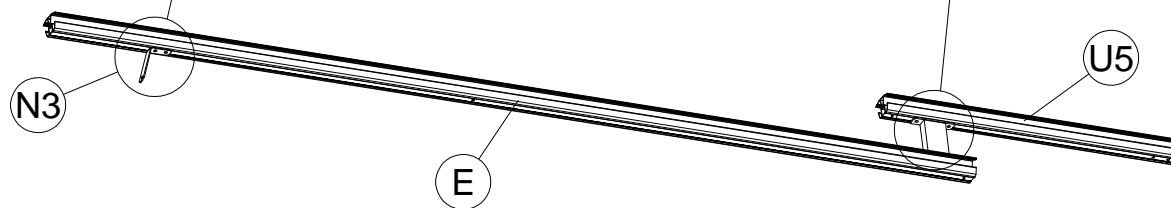
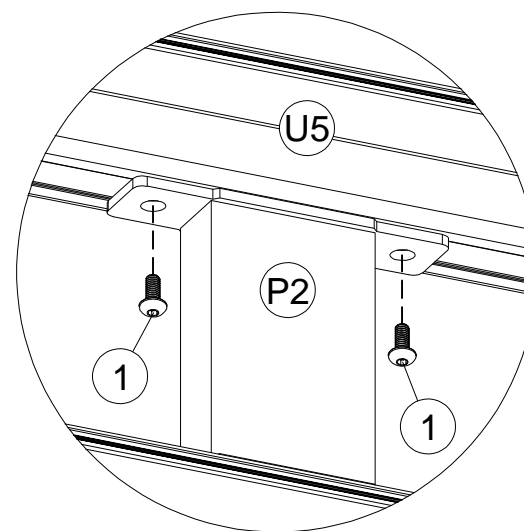
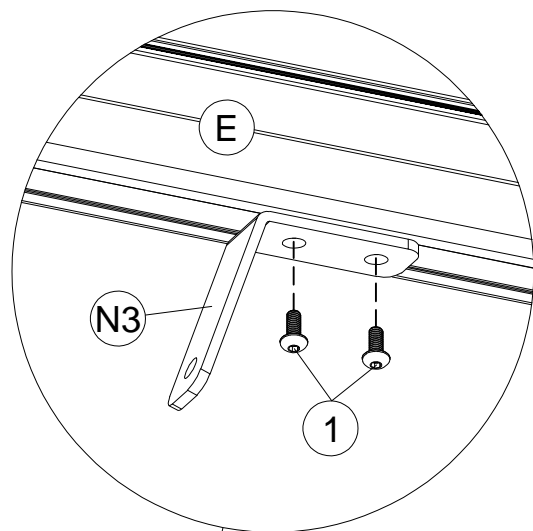
N3 x4



M6x15

1 x16

<27>

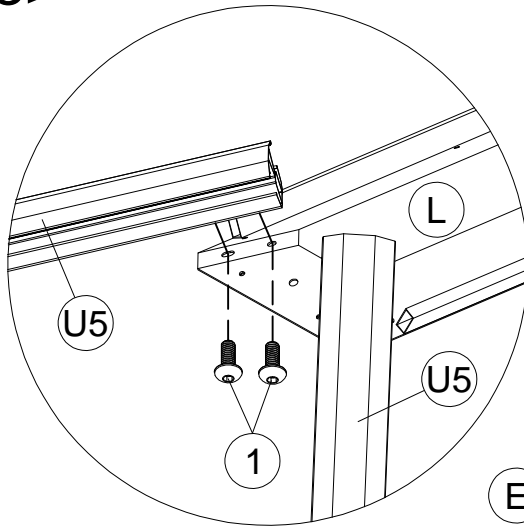




M6x15

1 x12

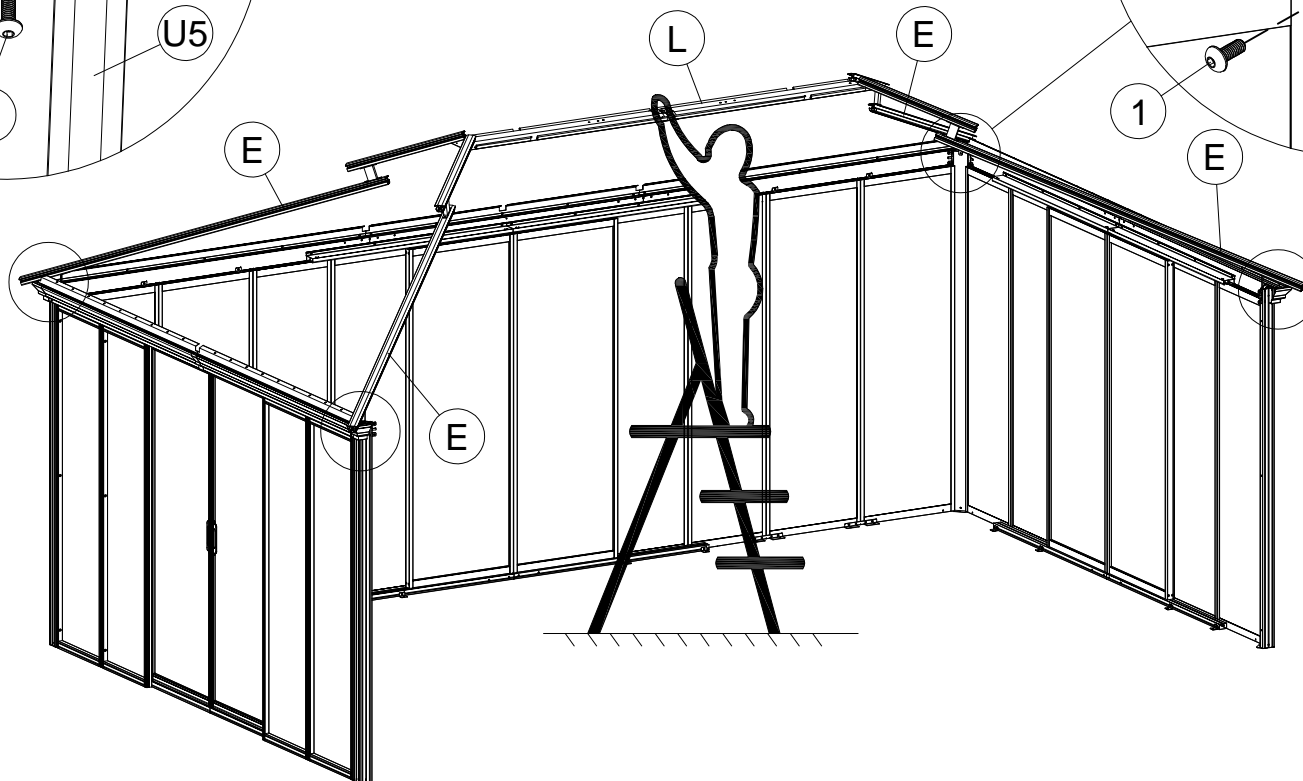
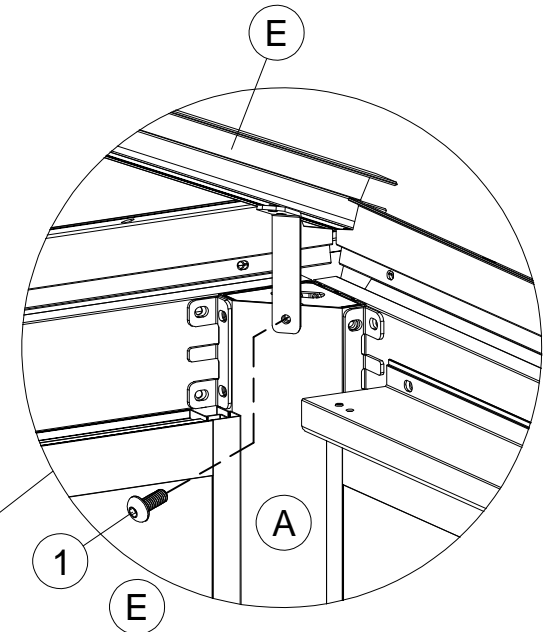
<28>

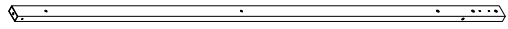


Note:

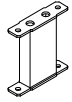
1. Let one person stand on the ladder to lift " L " and hold, and let others fasten the screws connecting both ends of " E+U5 " .

2. Please do not let go of holding " L " until all the " E+U5 " screws are installed.





E1 x8



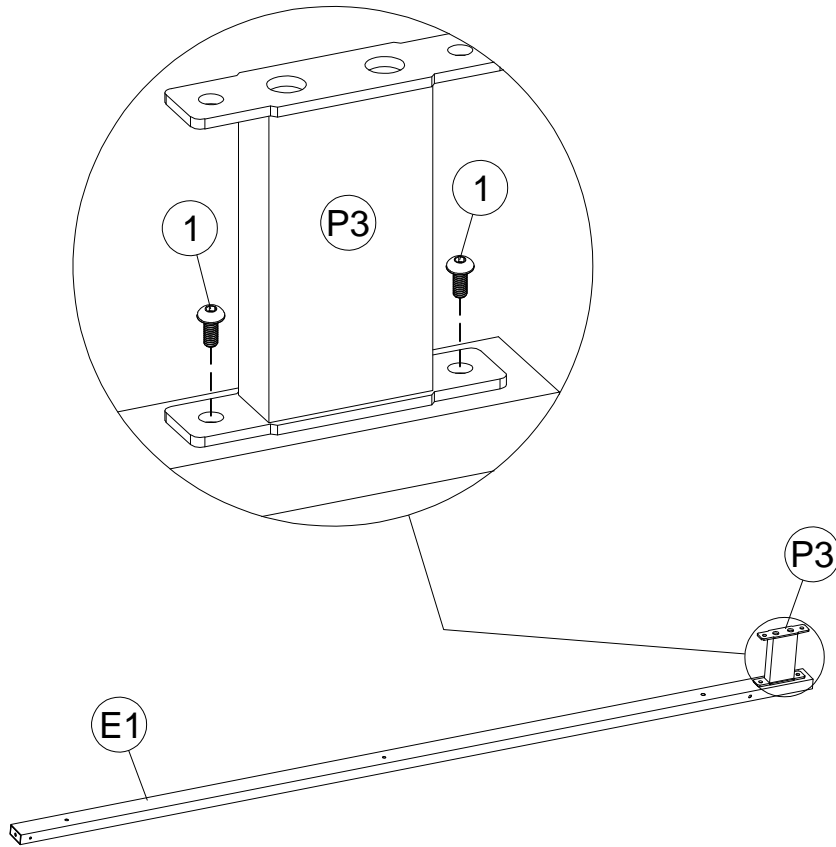
P3 x8



M6x15

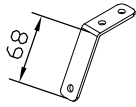
1 x16

<29>





U6 x8



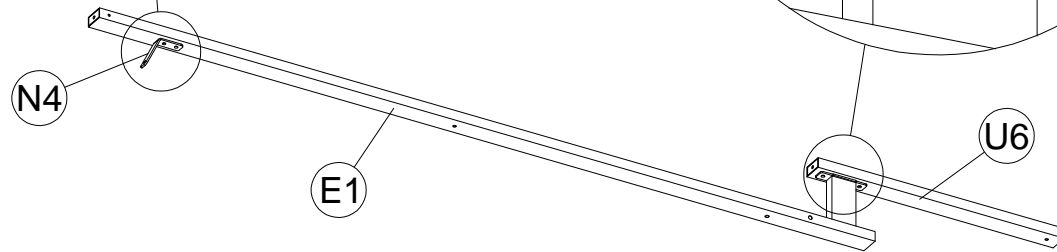
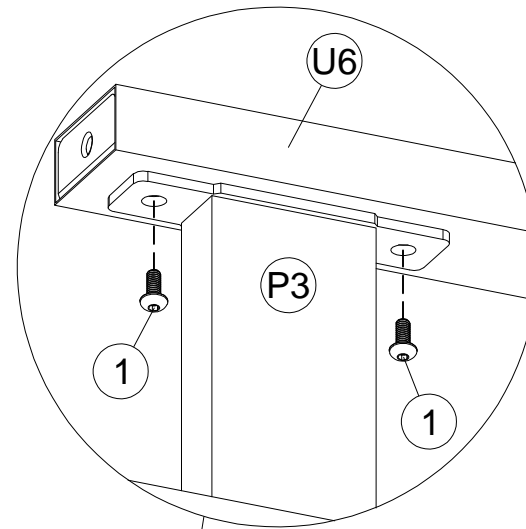
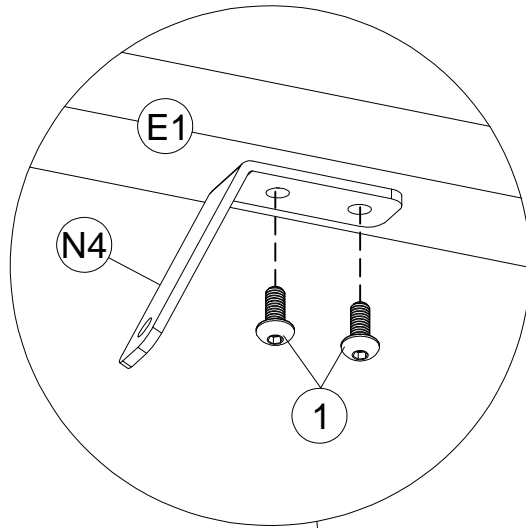
N4 x8



M6x15

1 x32

<30>

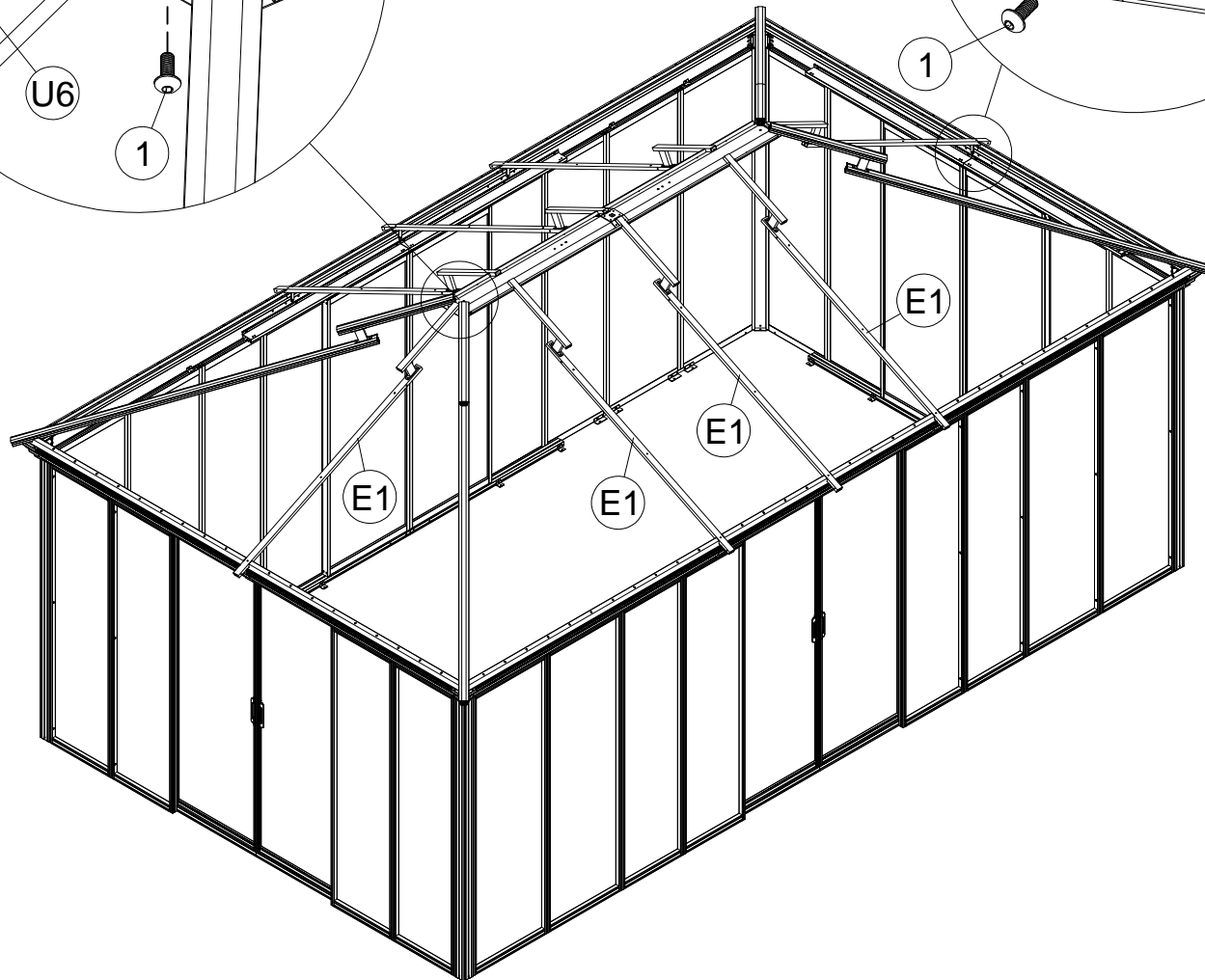
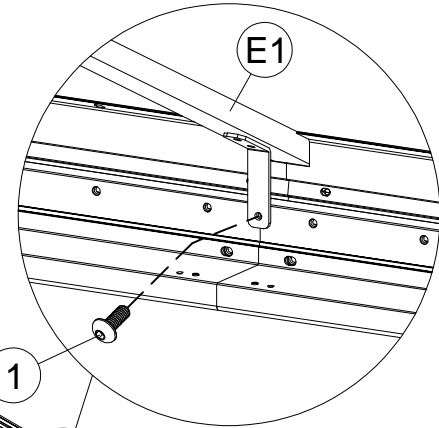
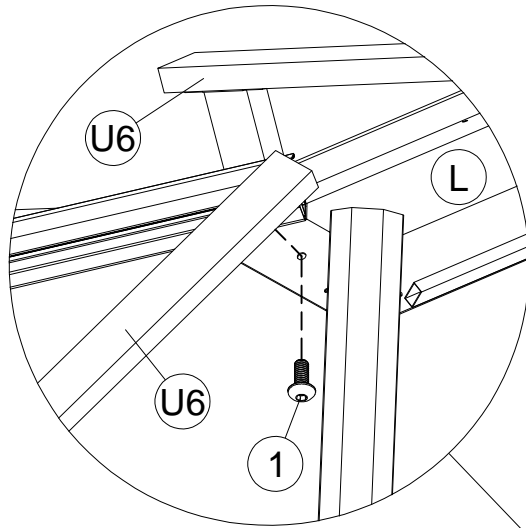




M6x15

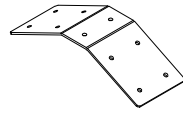
1 x16

<31>

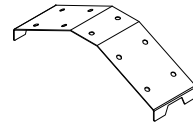




(M) x2



(M1) x1



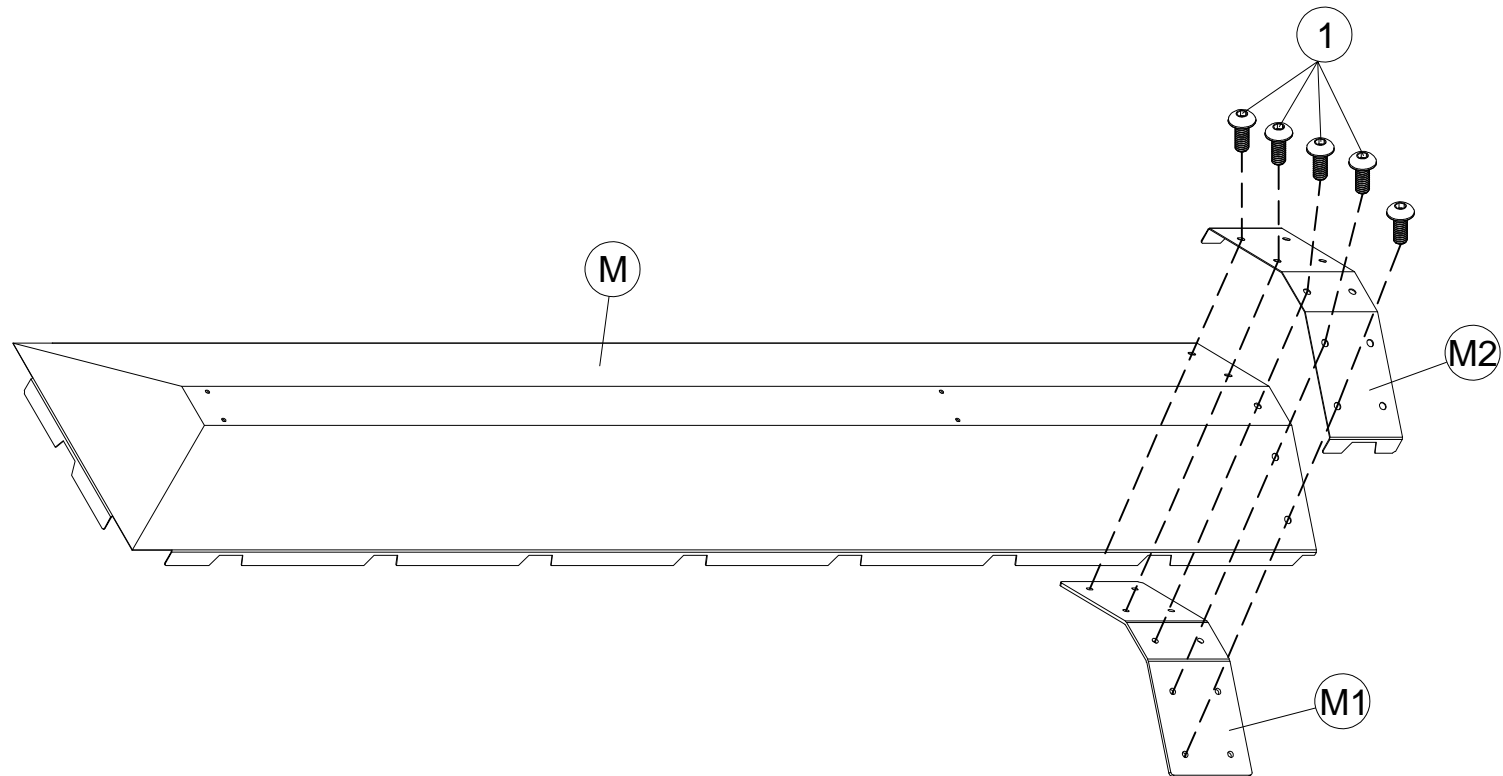
(M2) x1



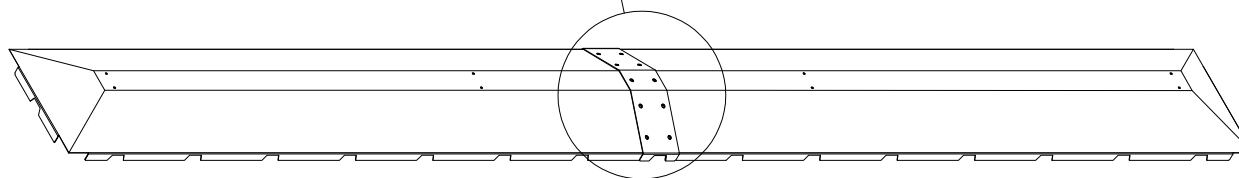
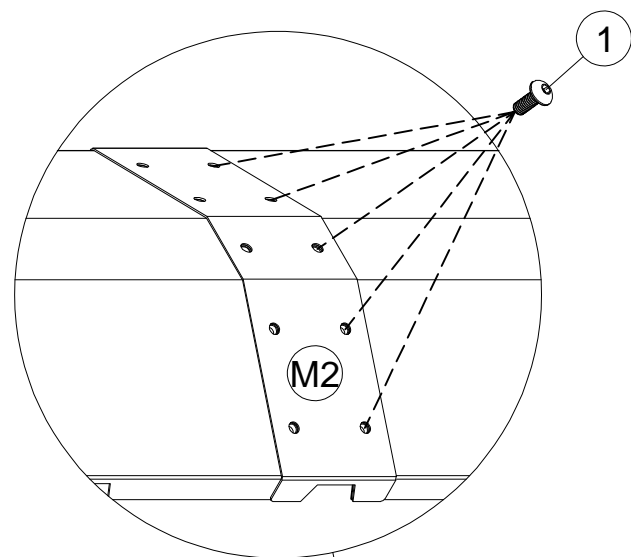
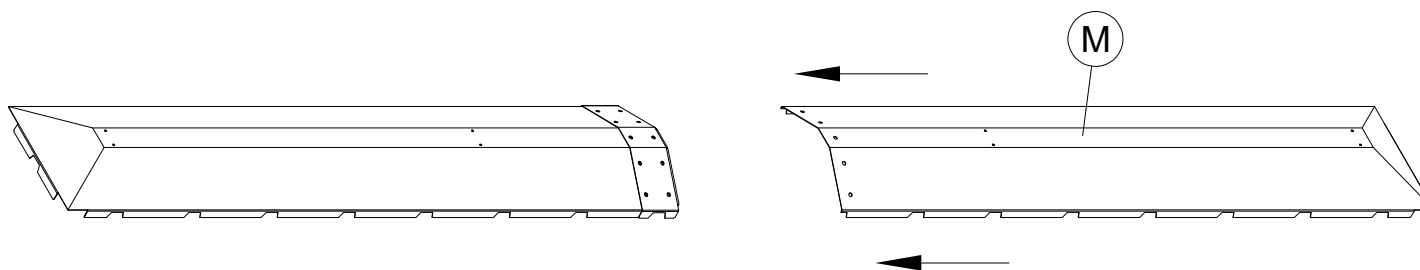
M6x15

(1) x10

<32>



<33>

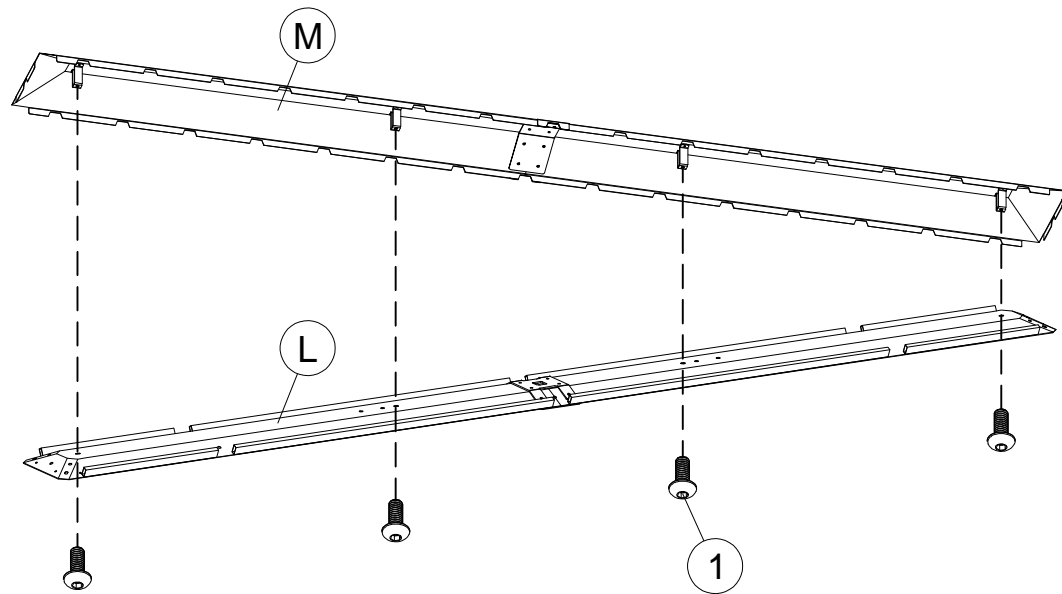
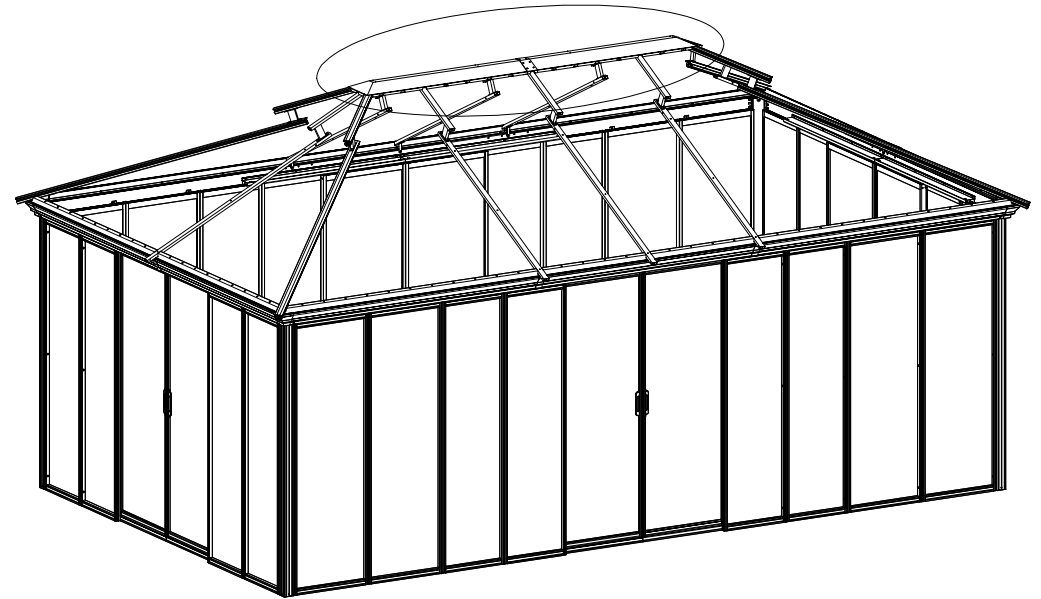


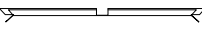

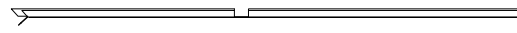
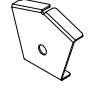



M6x15

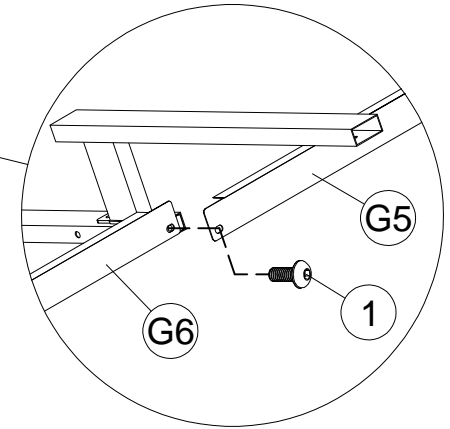
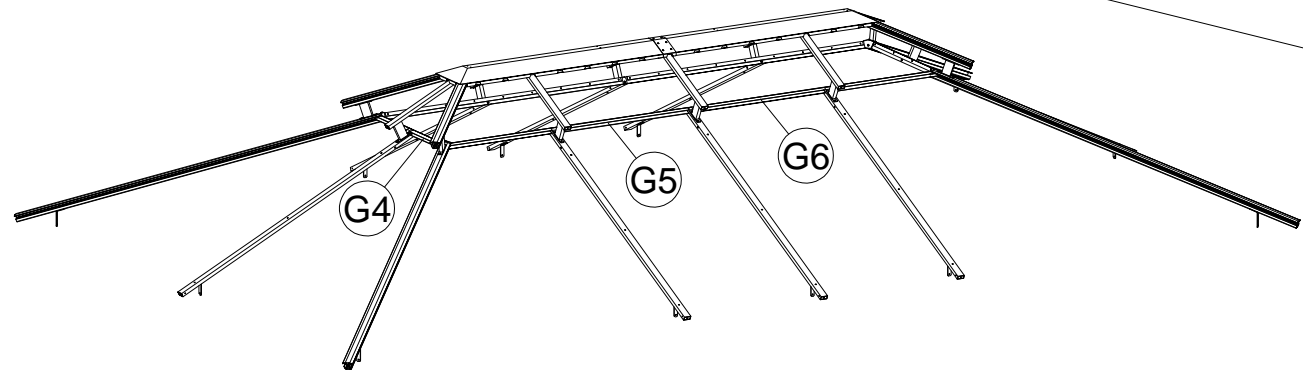
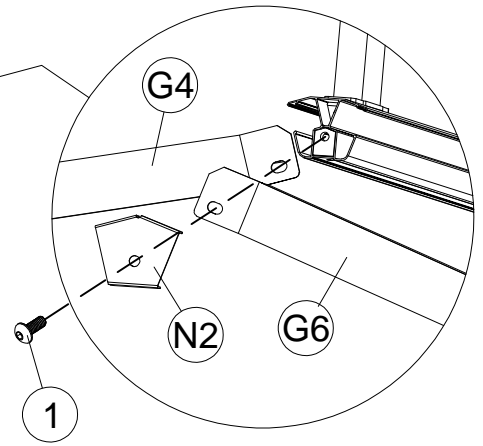
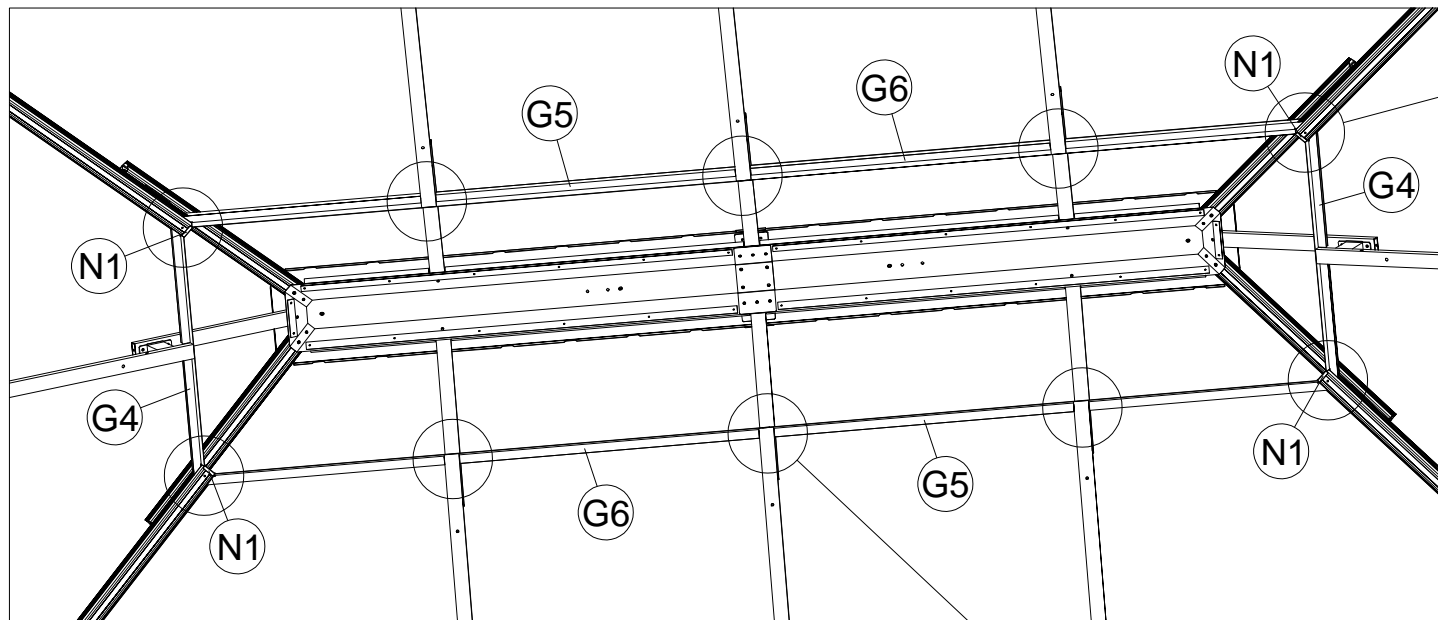
1 x4

<34>



- | | | | | |
|---|---|---|---|---|
|  |  |  |  |  |
| G4 x2 | G5 x2 | G6 x2 | N1 x4 | 1 x12 M6x15 |

<35>





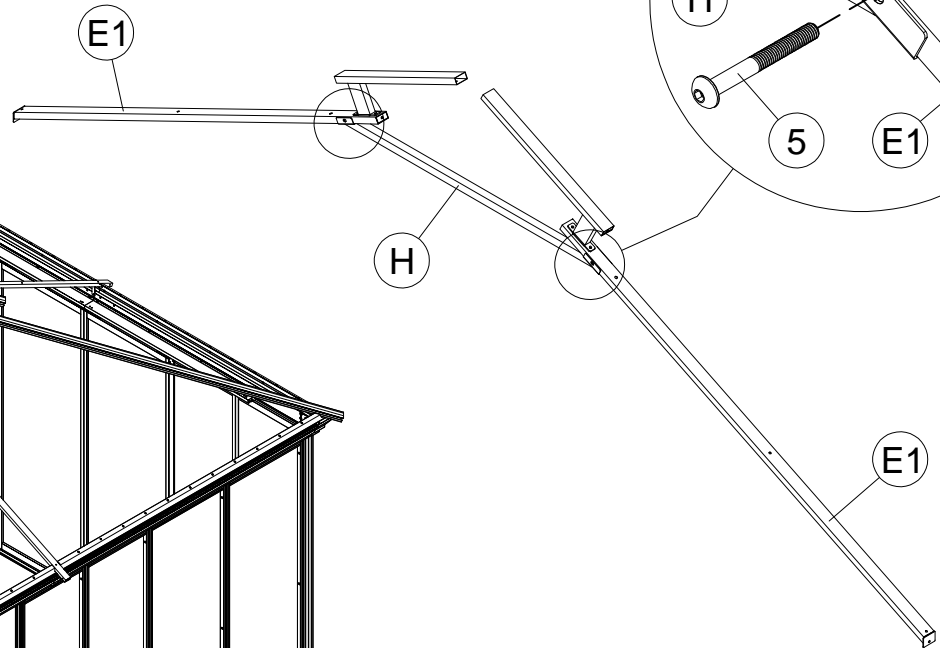
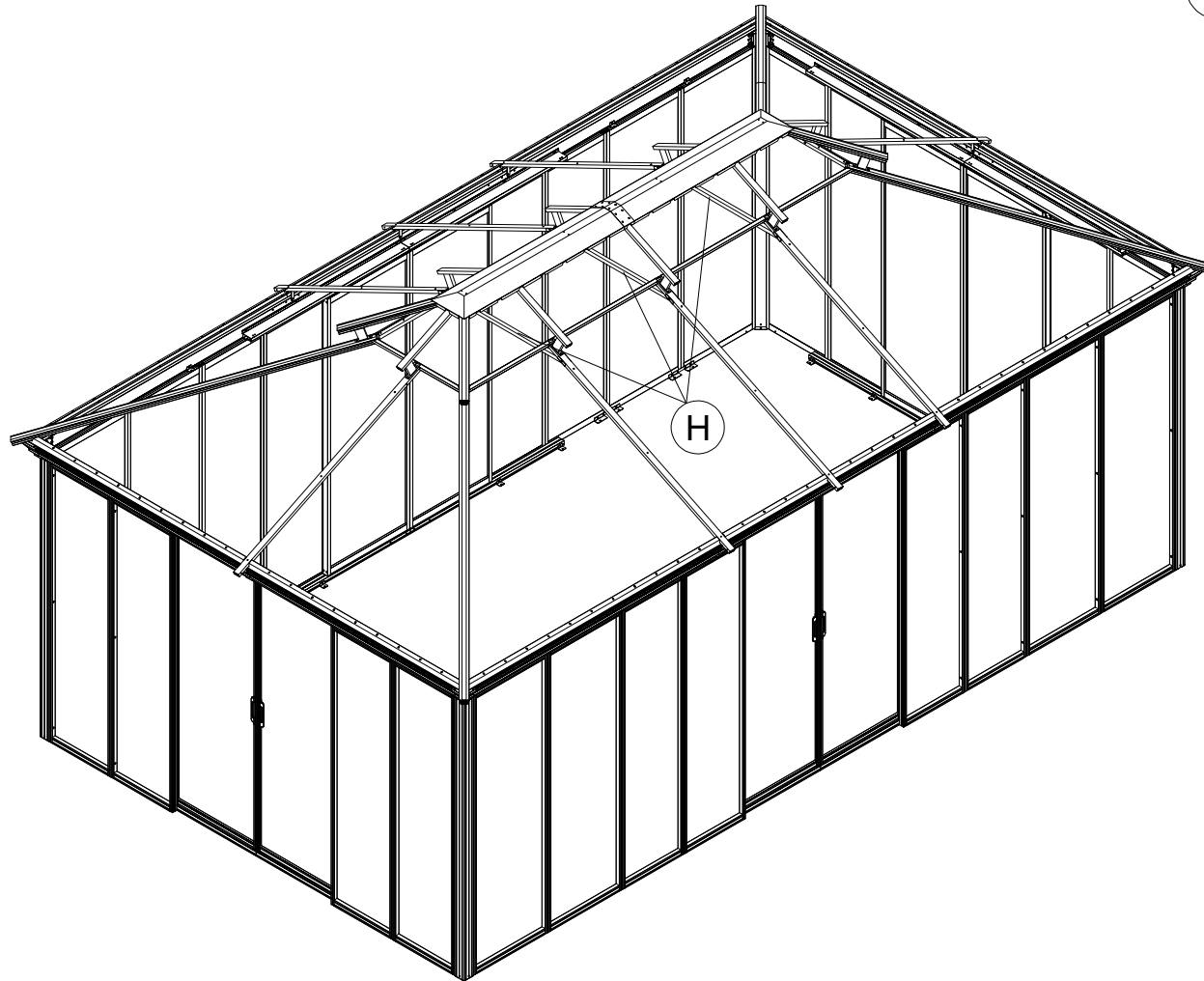
H x3



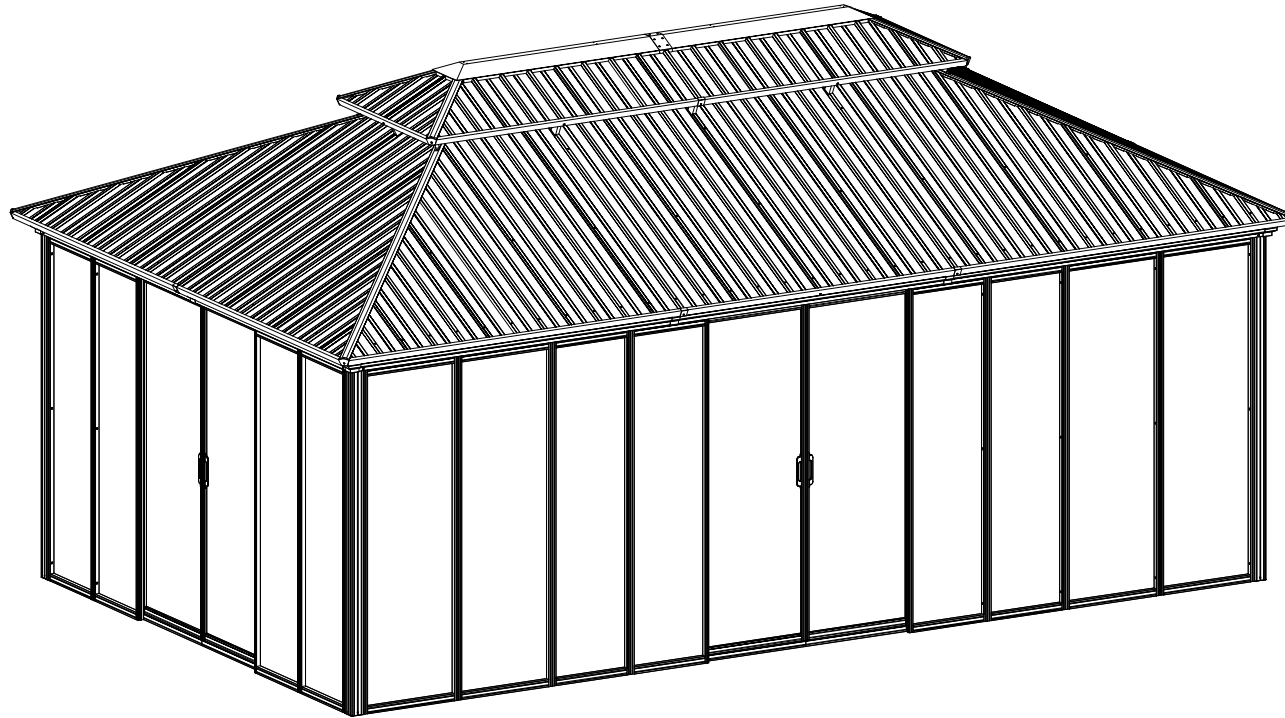
5 x6

M6x50

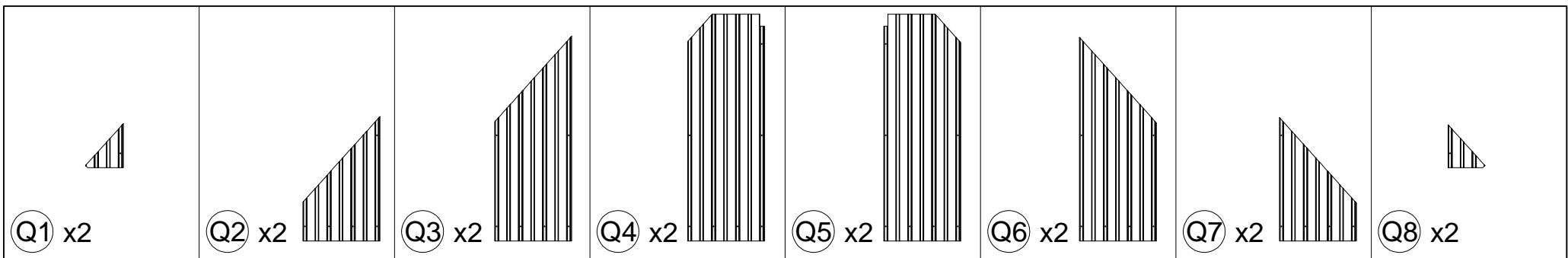
<36>



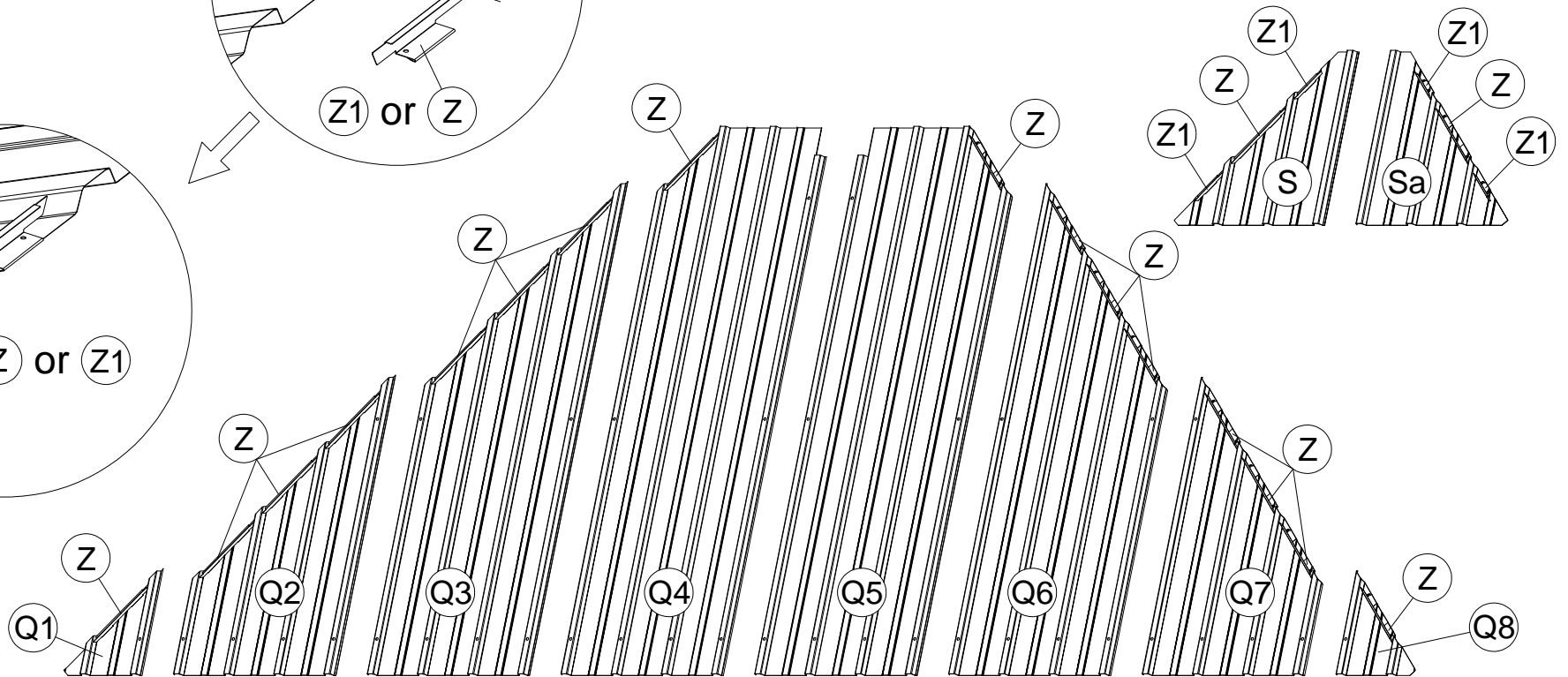
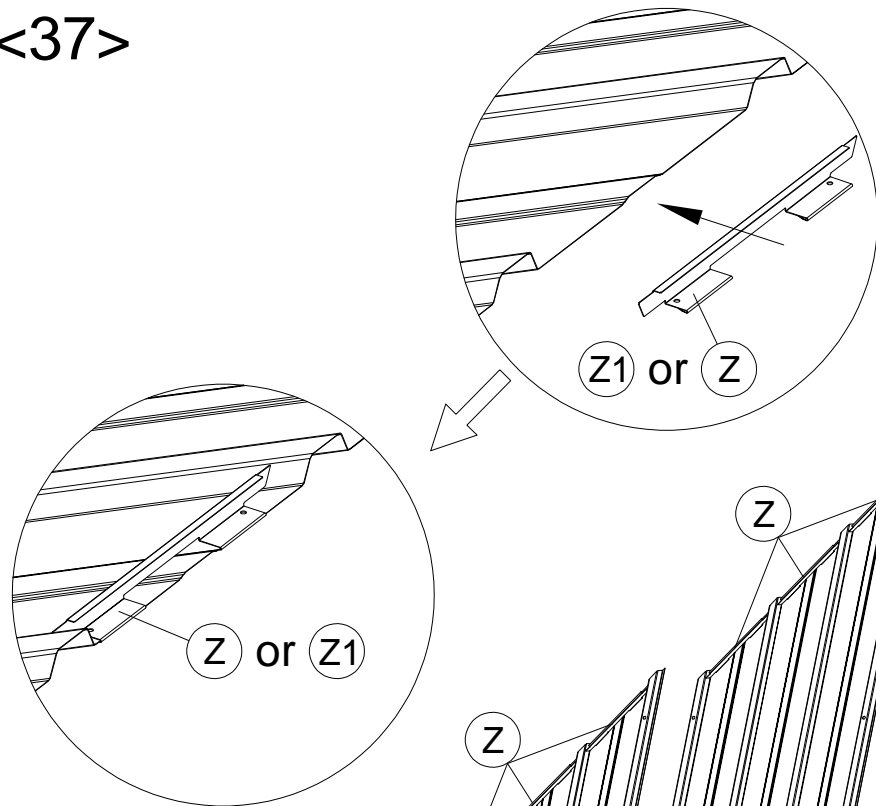
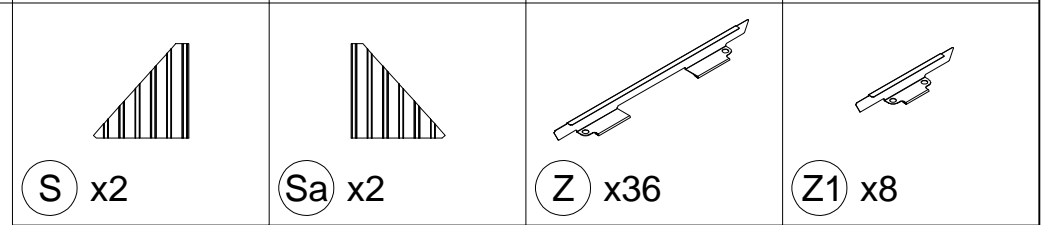
STEP 5

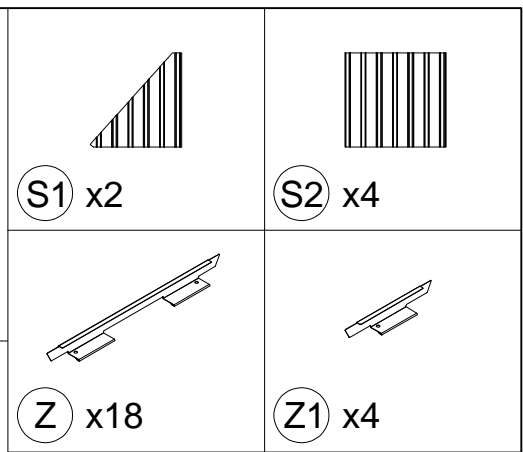
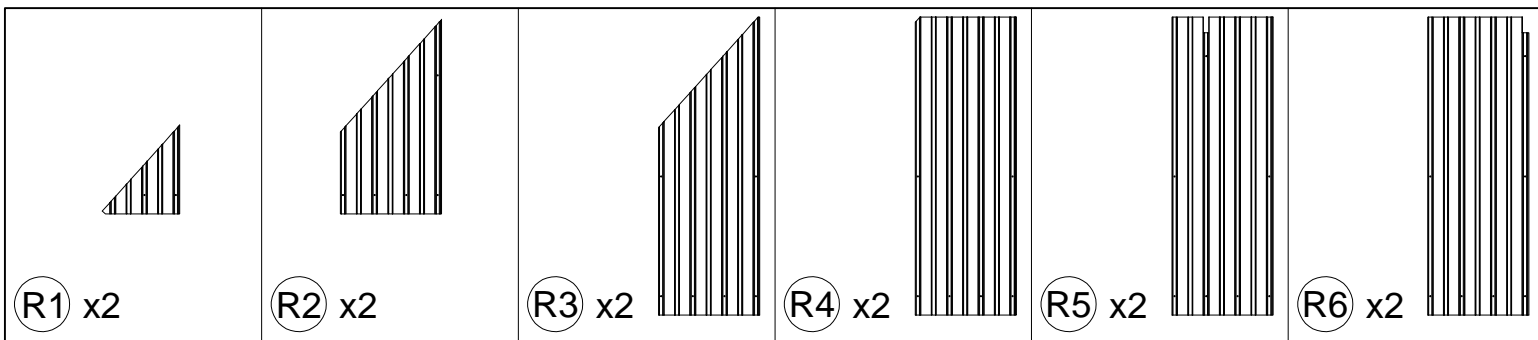


Tip: Be sure to hang the nettings on the inside track and the privacy curtains on the outside track

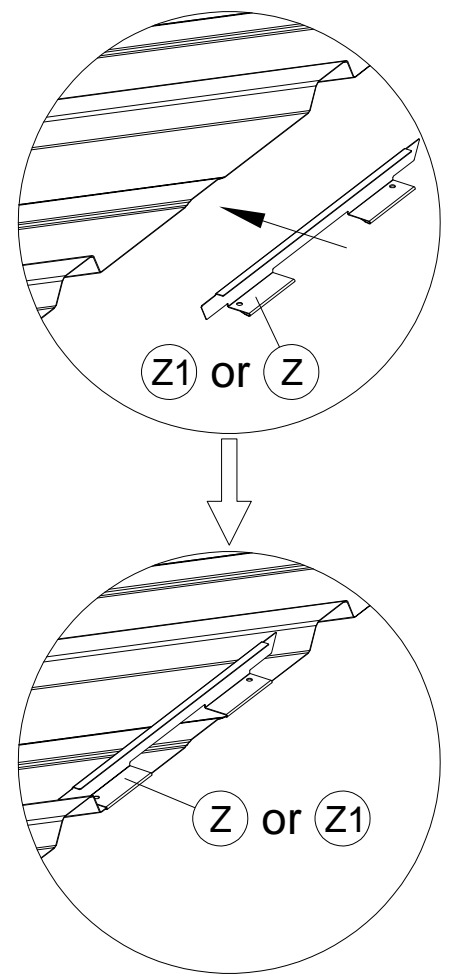
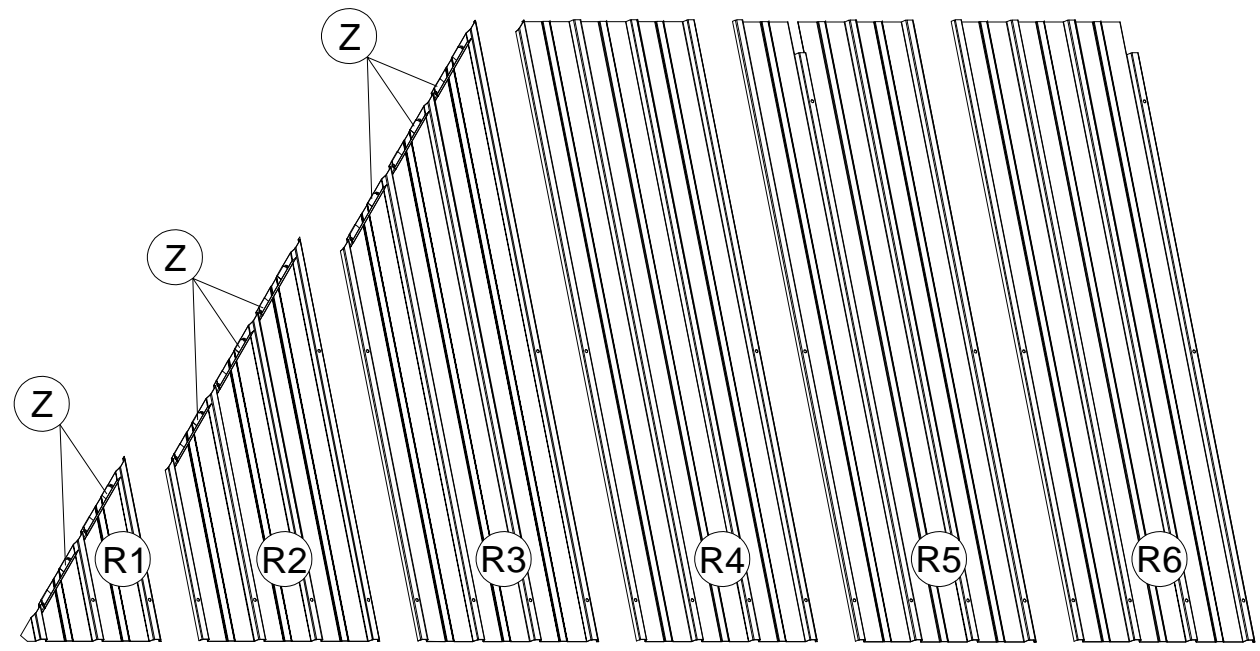
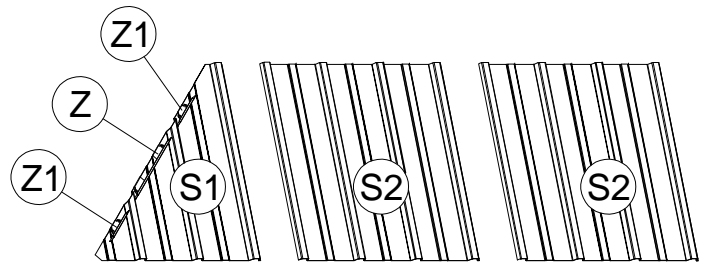


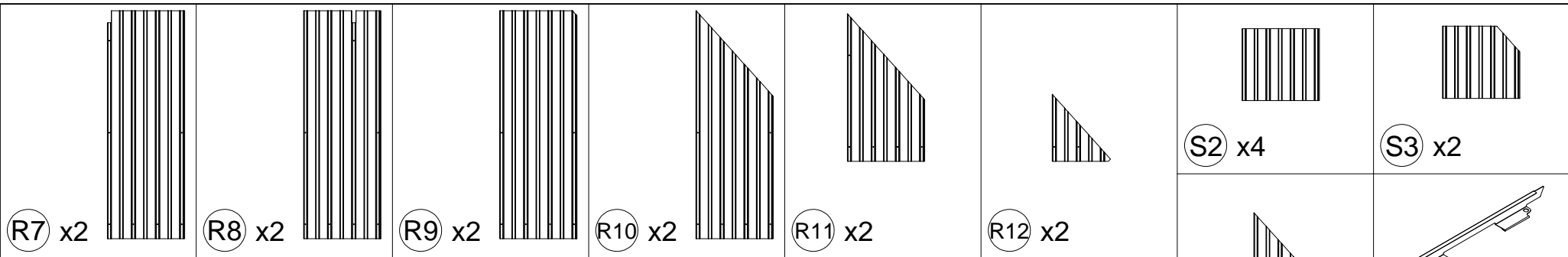
<37>



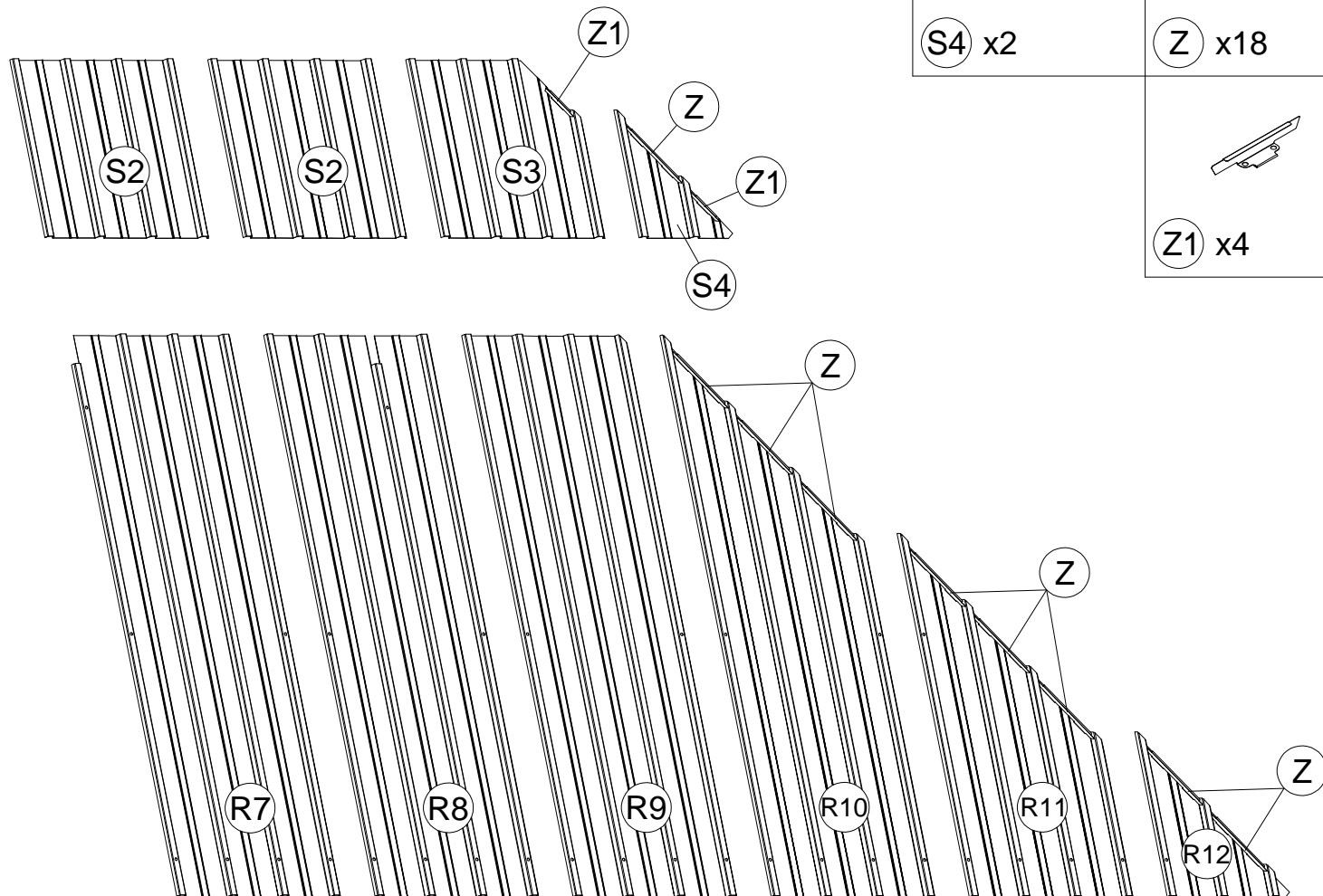
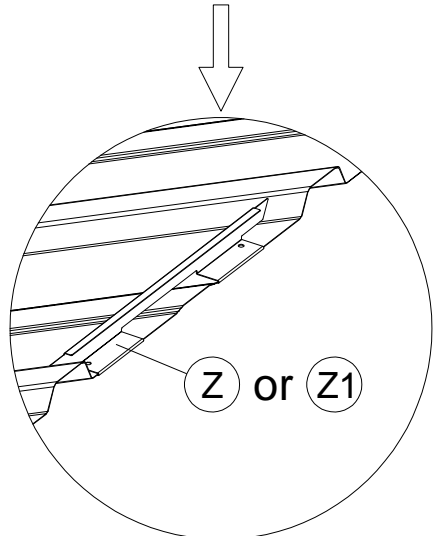
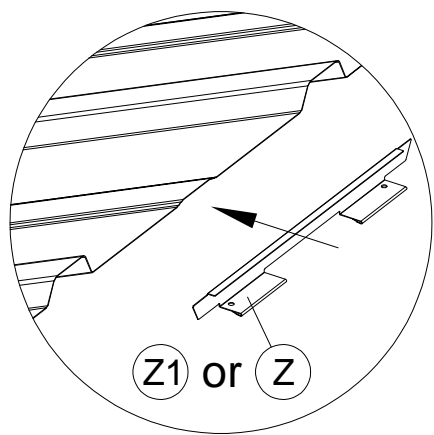


<38>

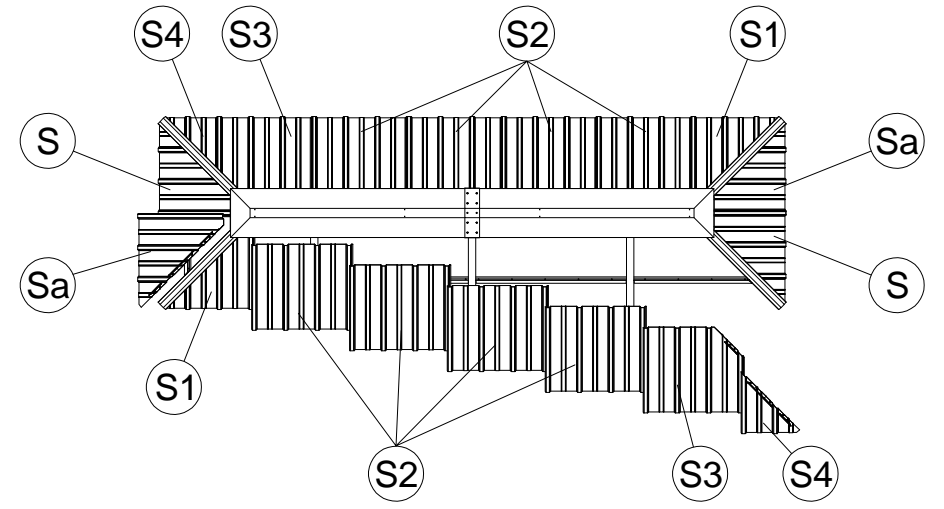
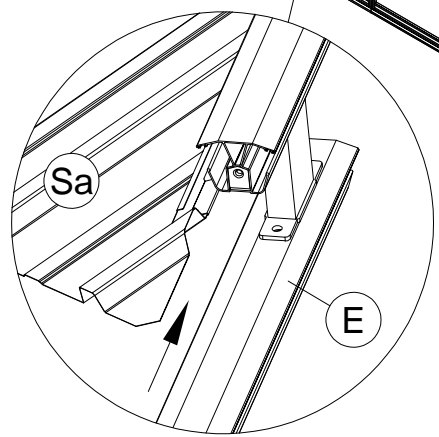
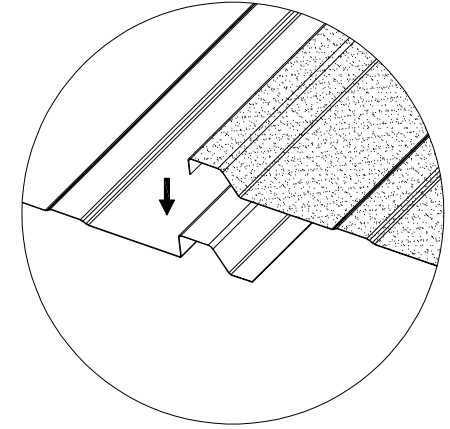
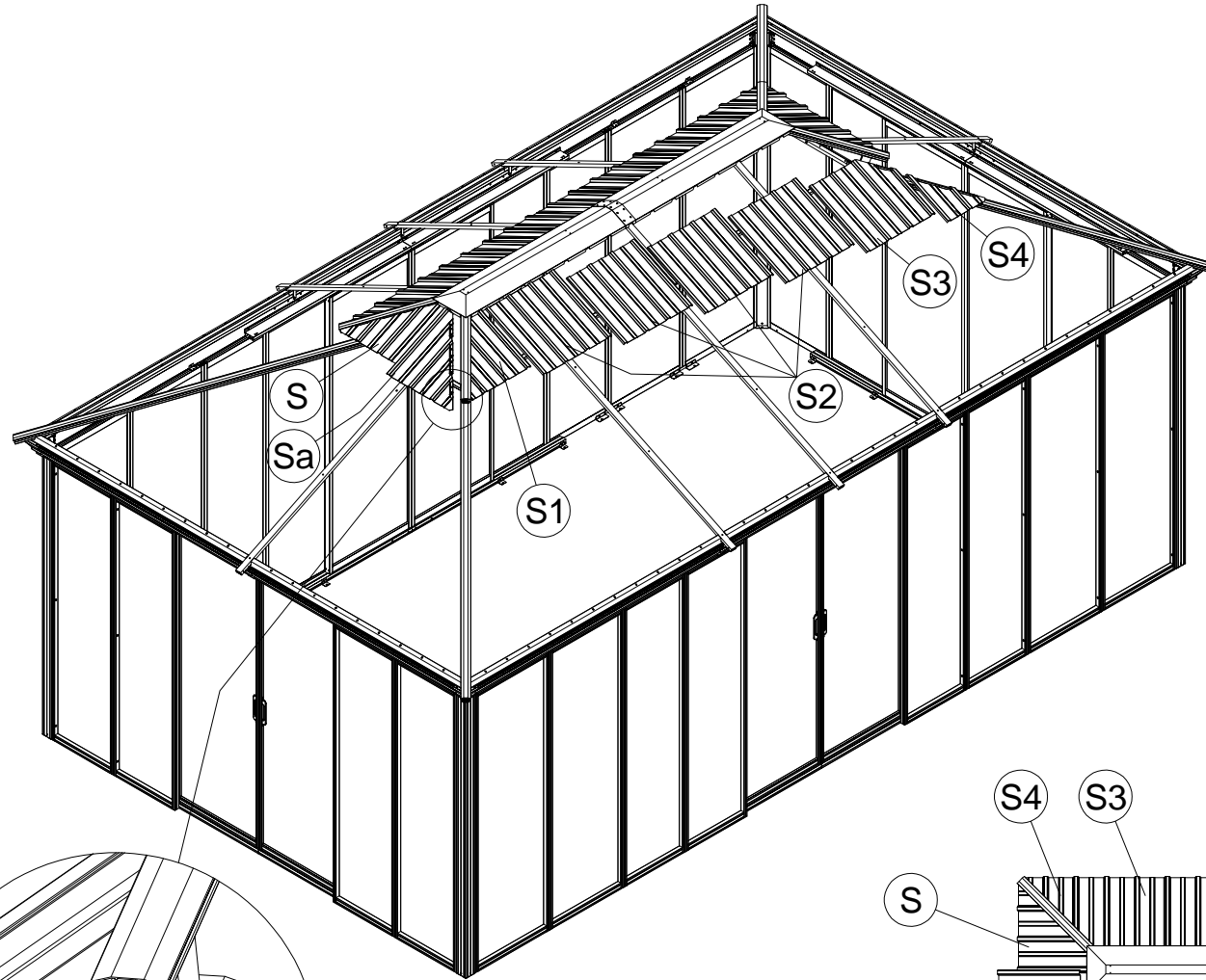




<39>



<40>



G1 x2

G2 x2

G3 x2

N1 x4

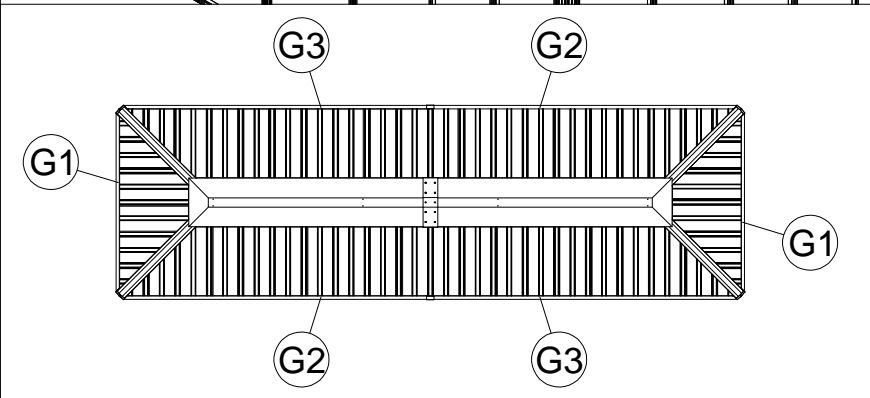
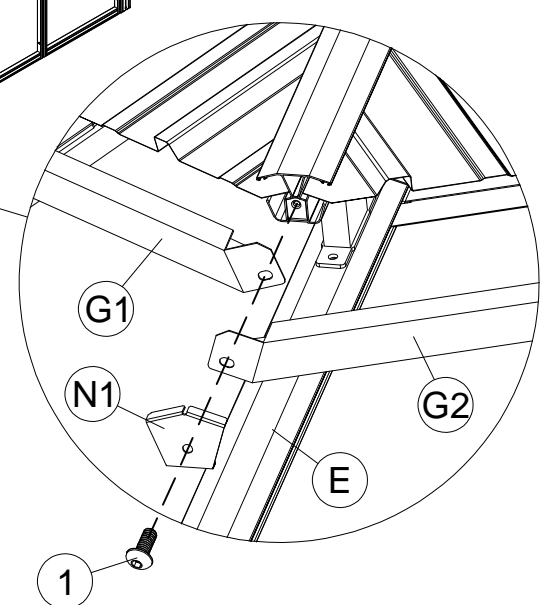
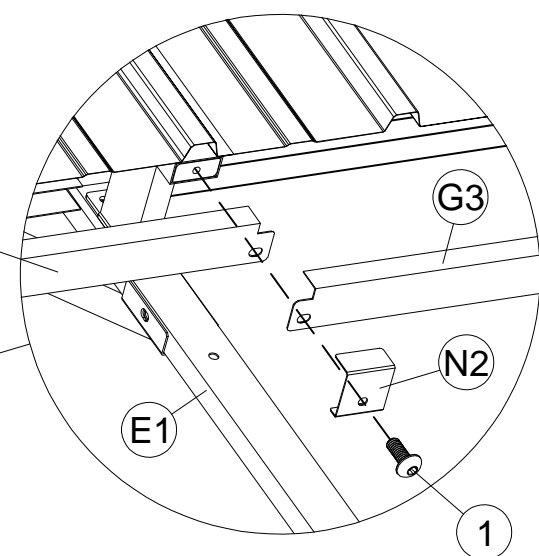
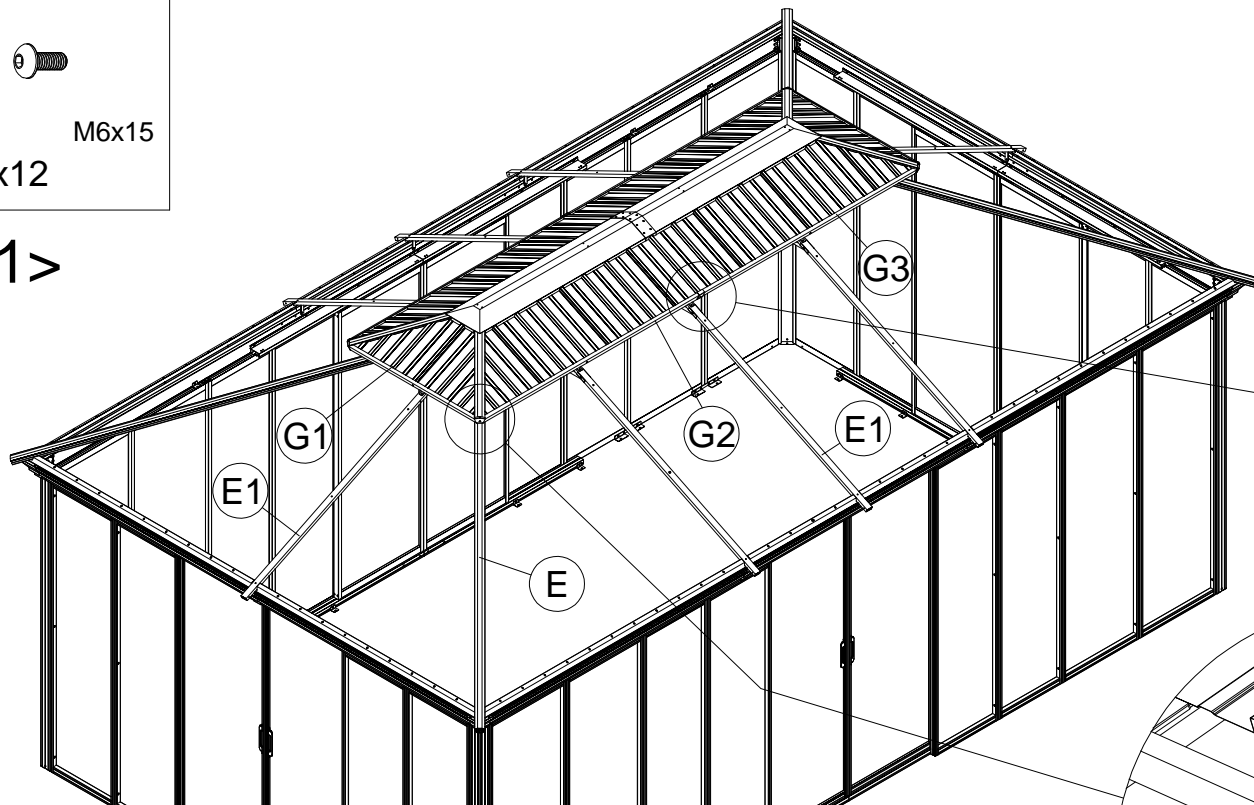
N2 x2

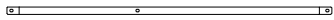


M6x15

1 x12

<41>





F1 x2

F2 x2



M6x15

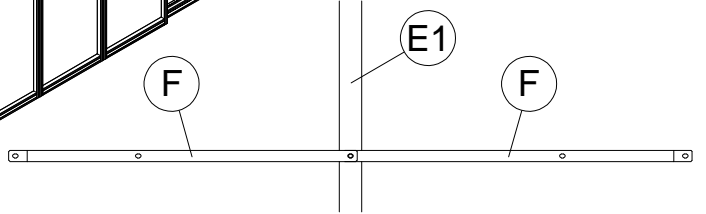
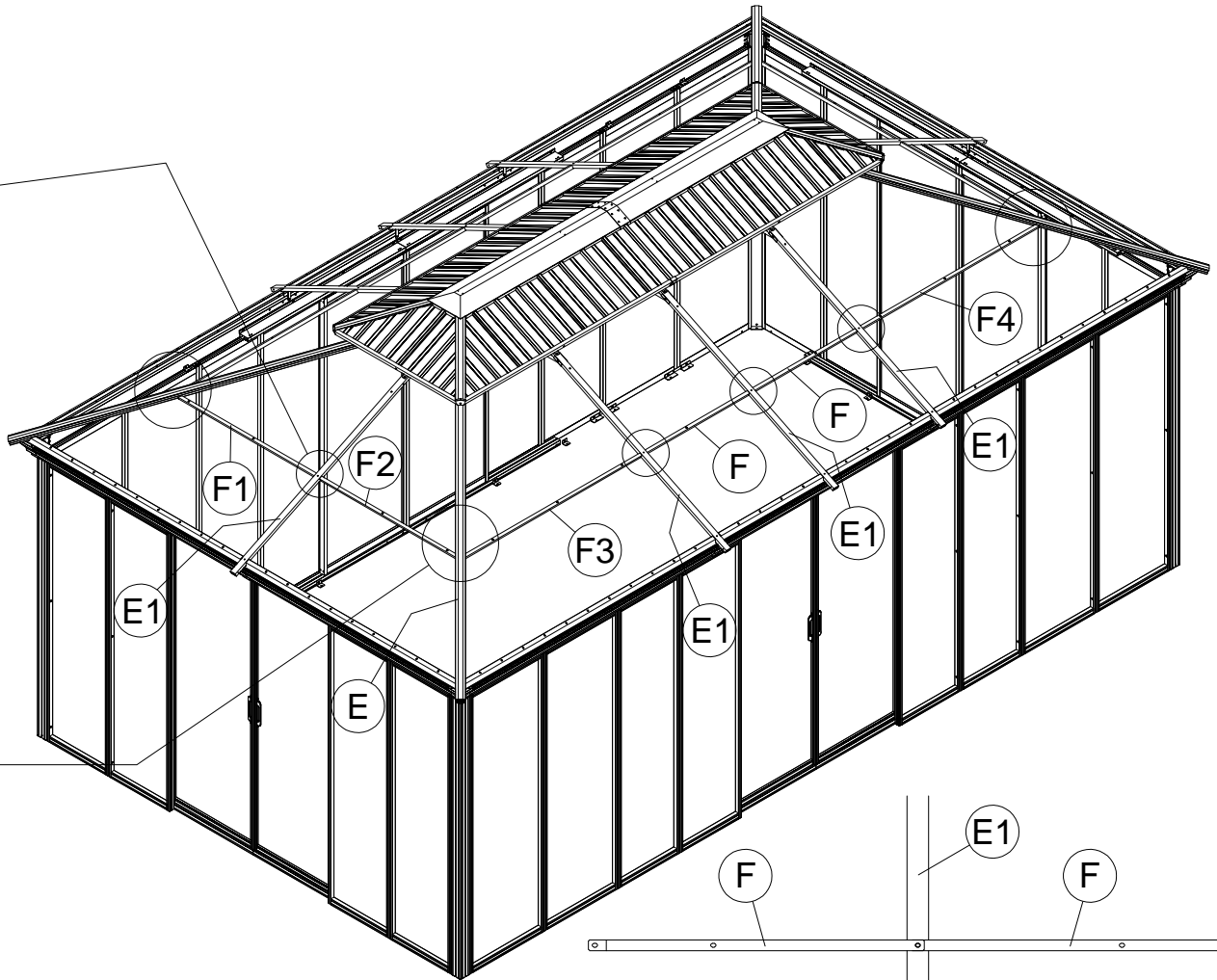
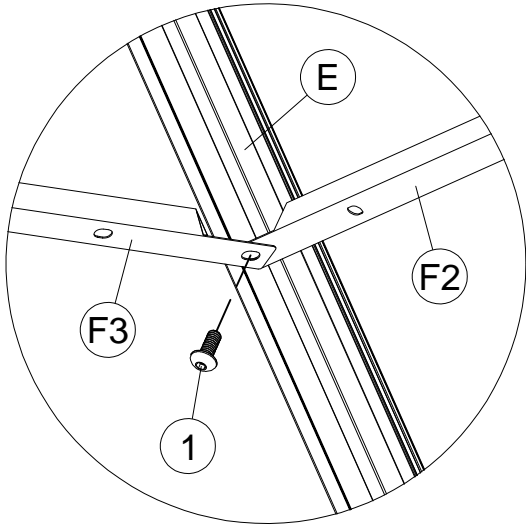
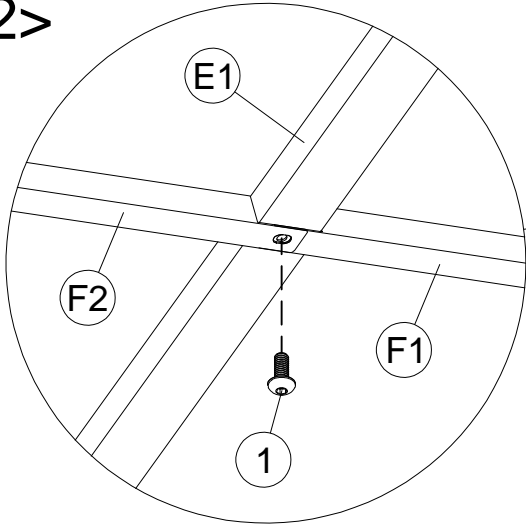
F x4

F3 x2

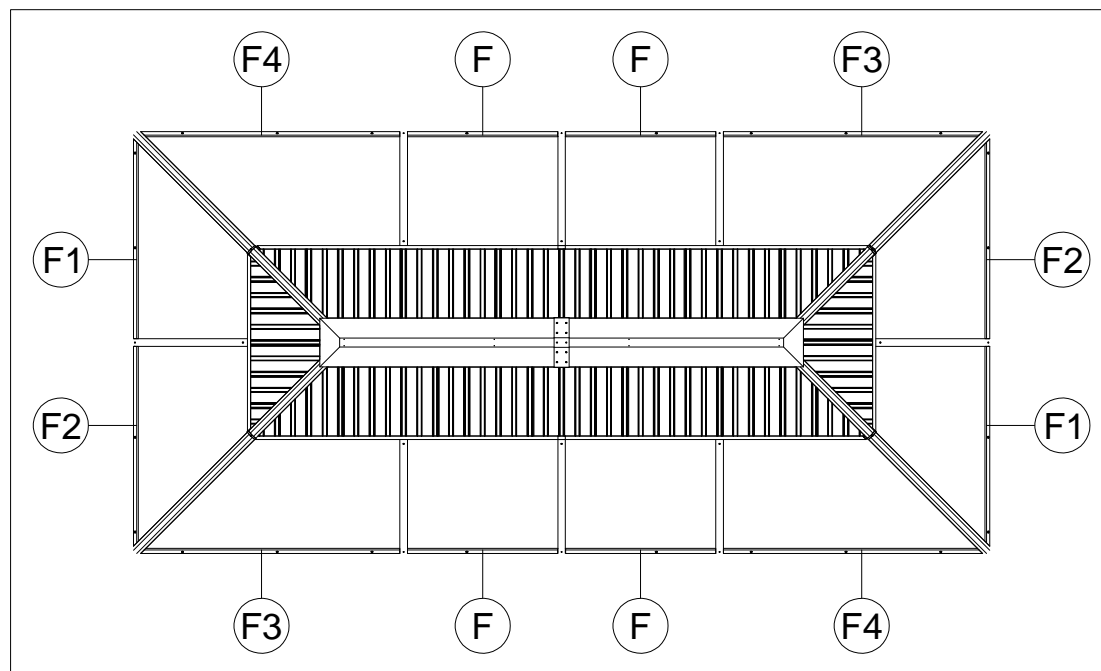
F4 x2

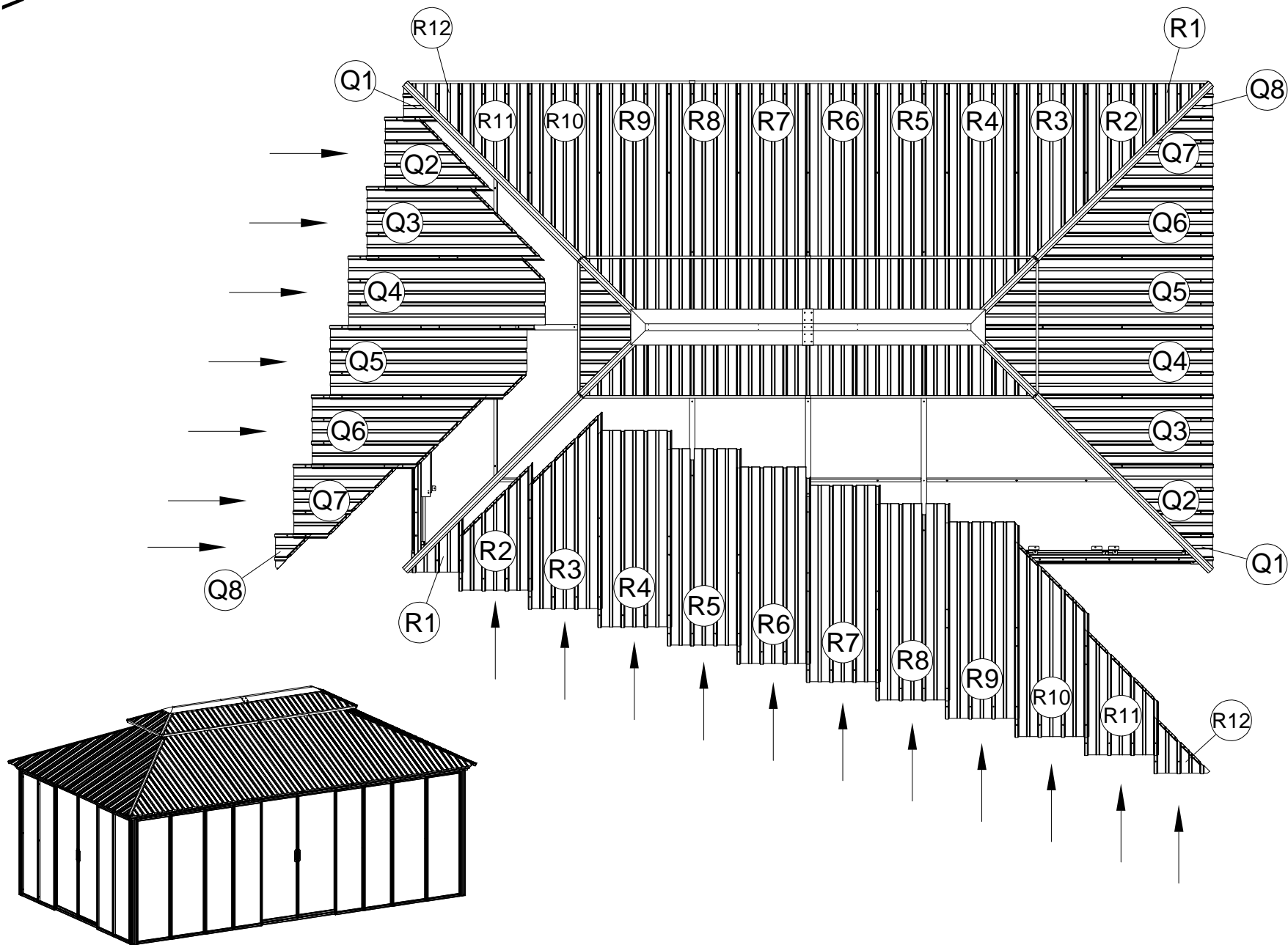
1 x12

<42>

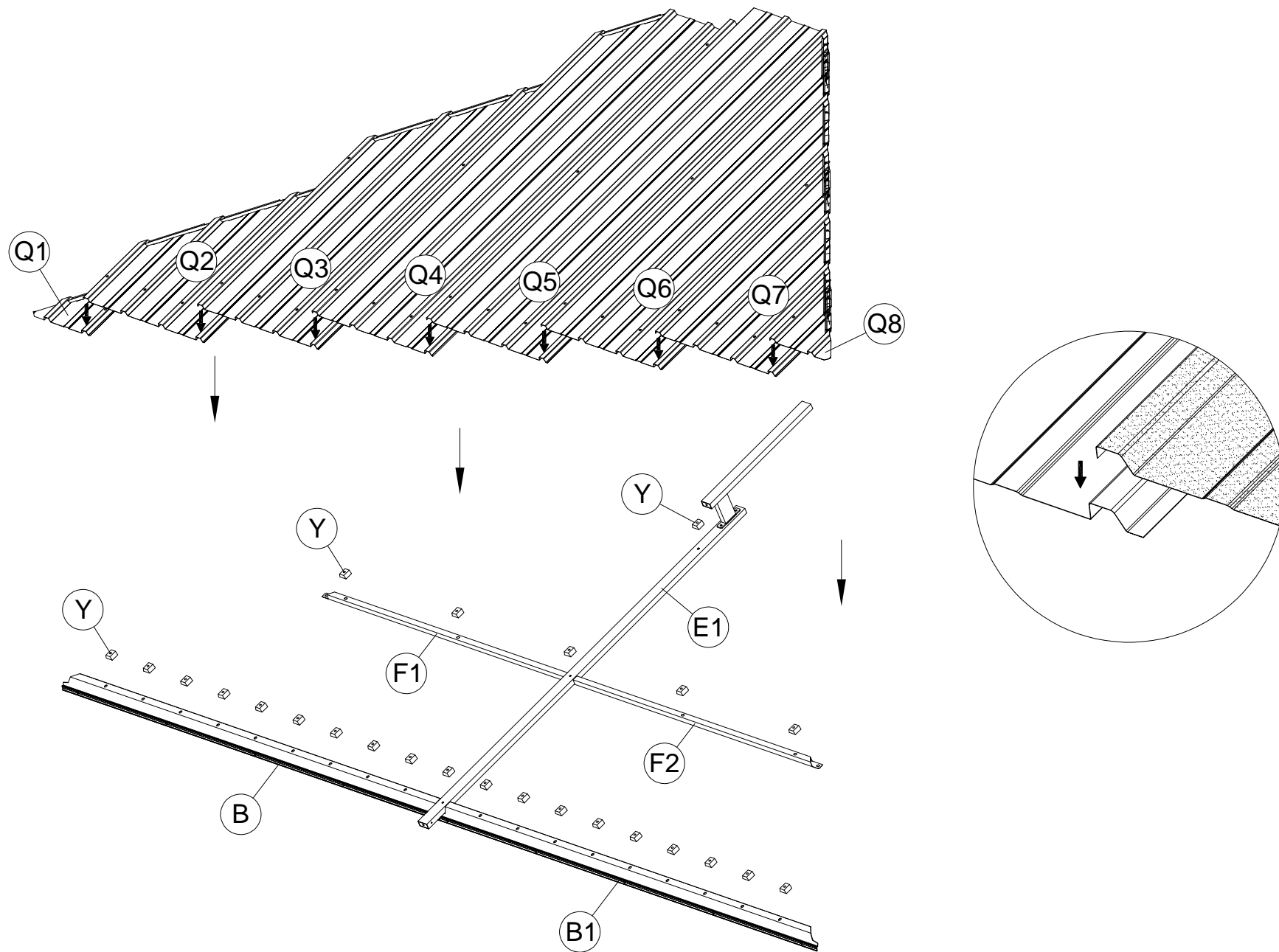


<43>

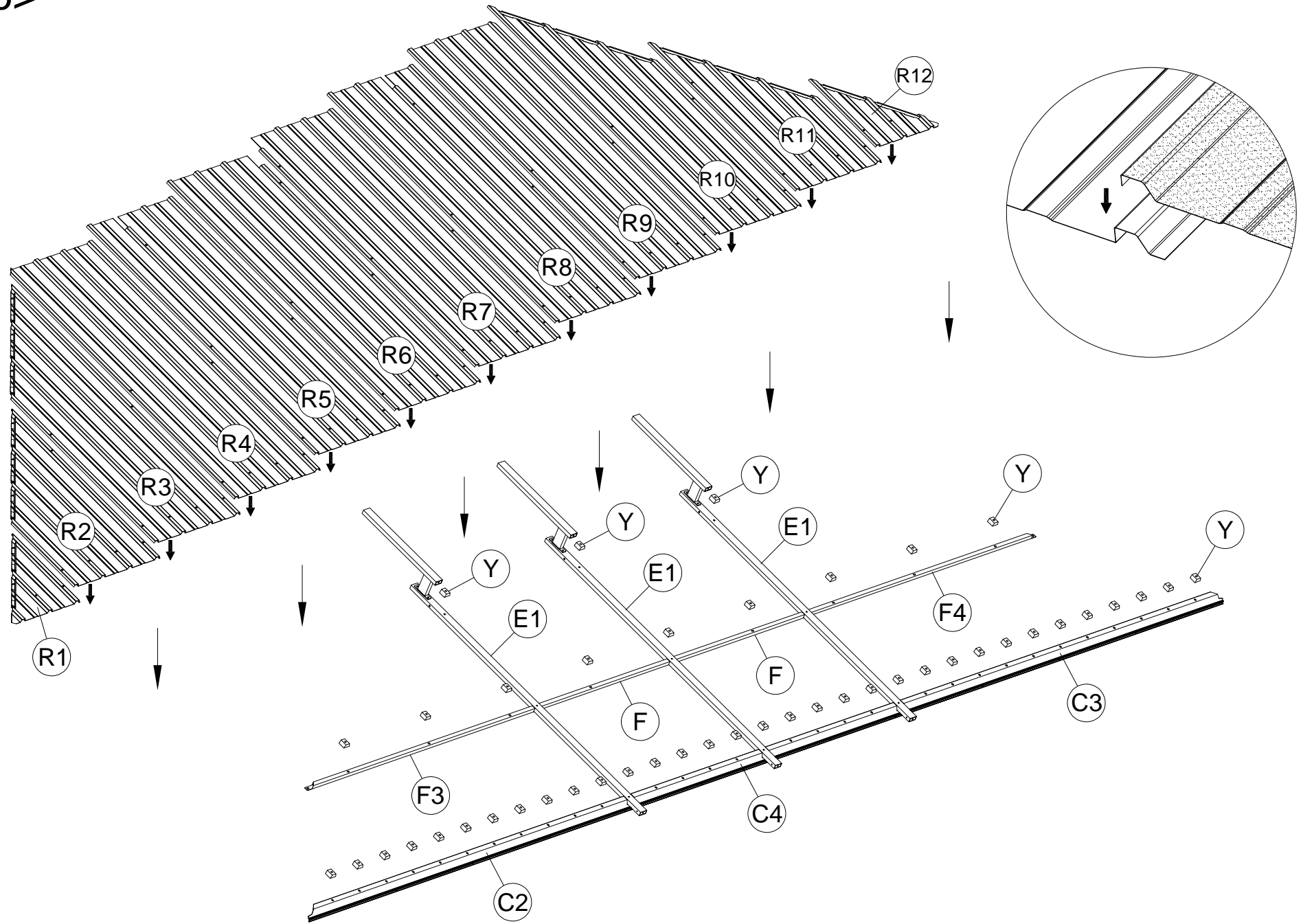




<45>



<46>





12x



96x



M6x42

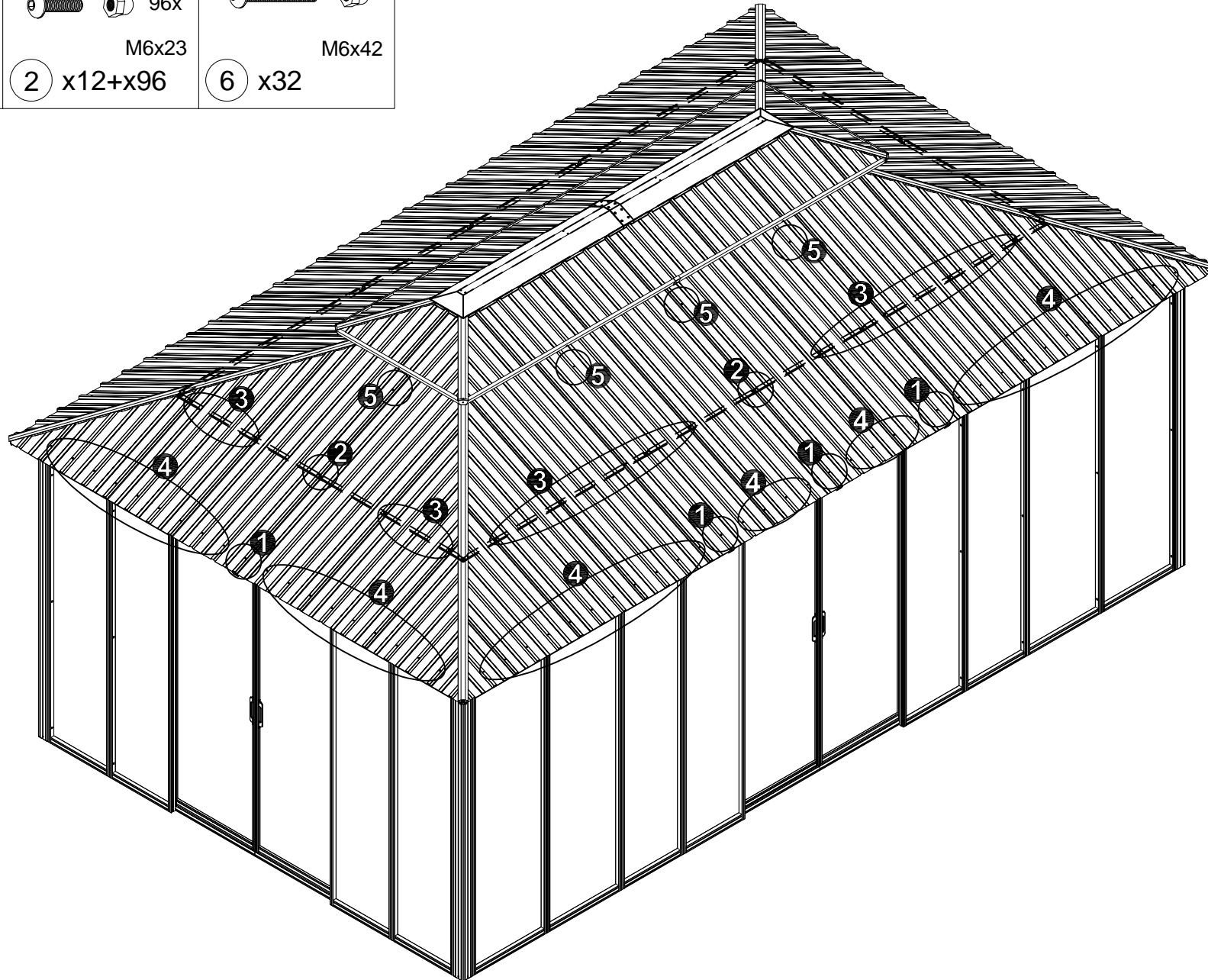
Y x140

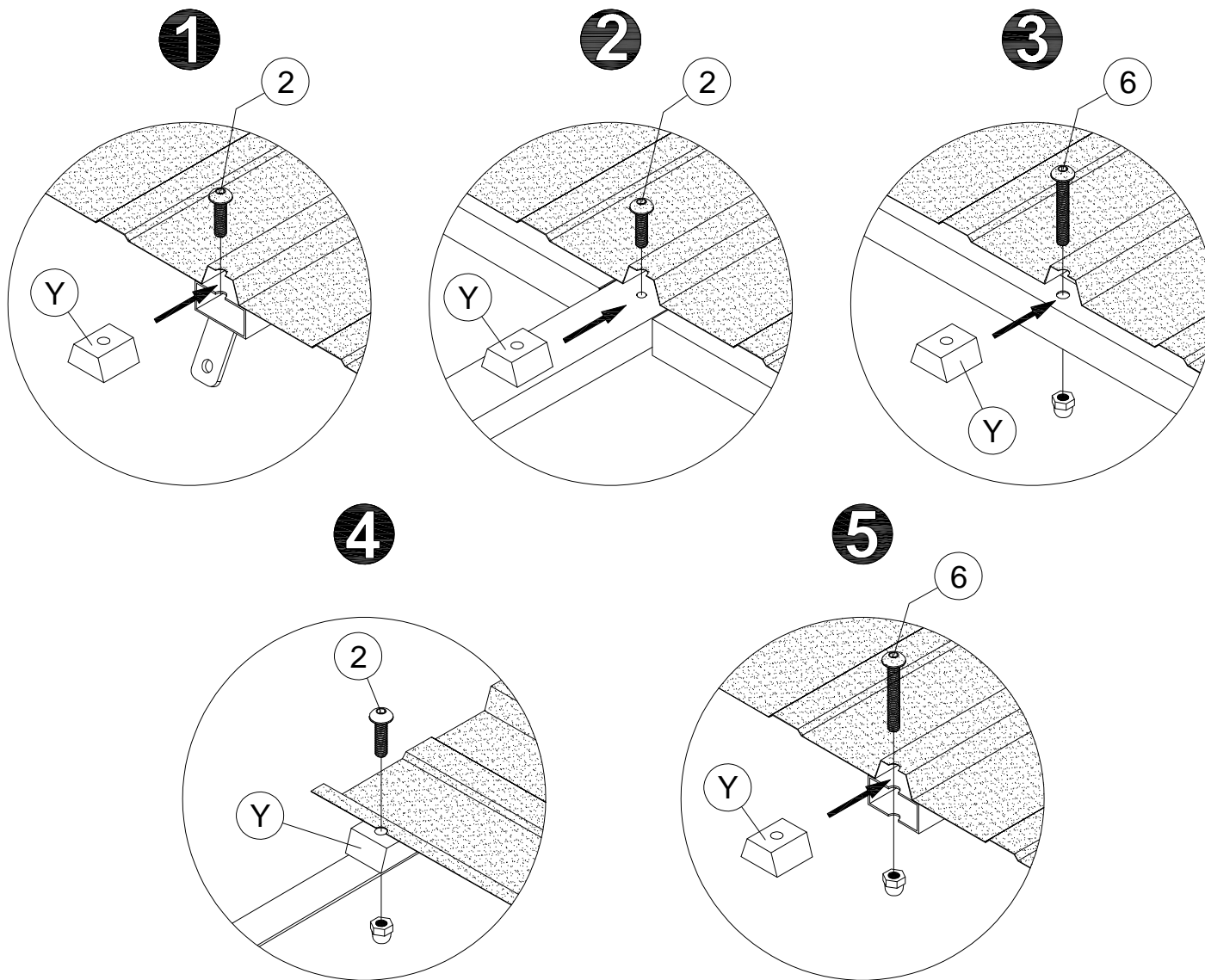
2 x12+x96

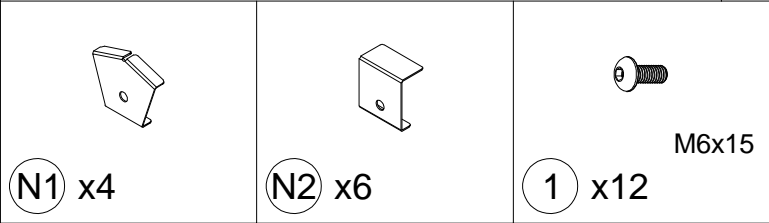
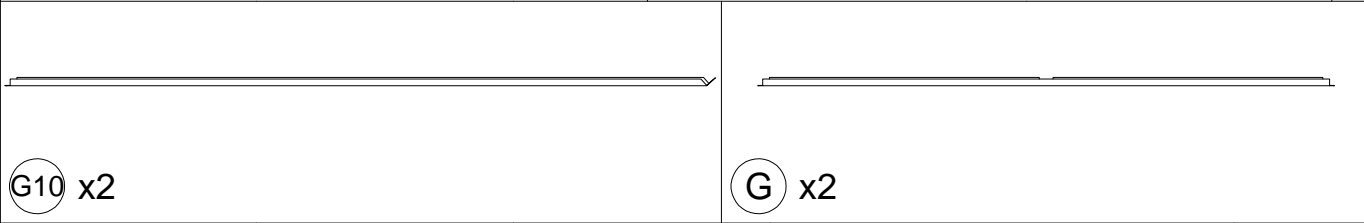
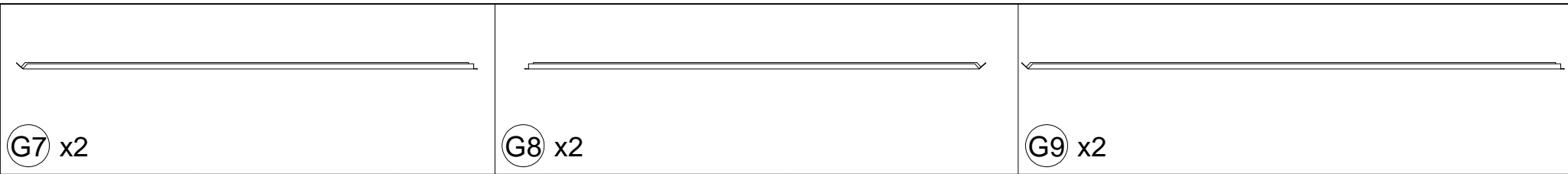
6 x32

M6x23

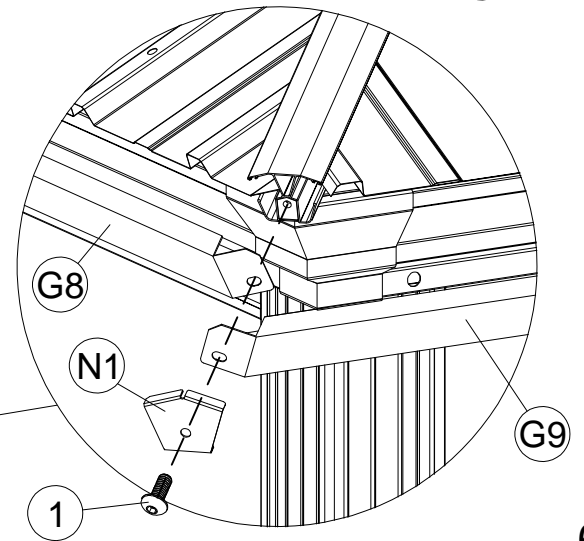
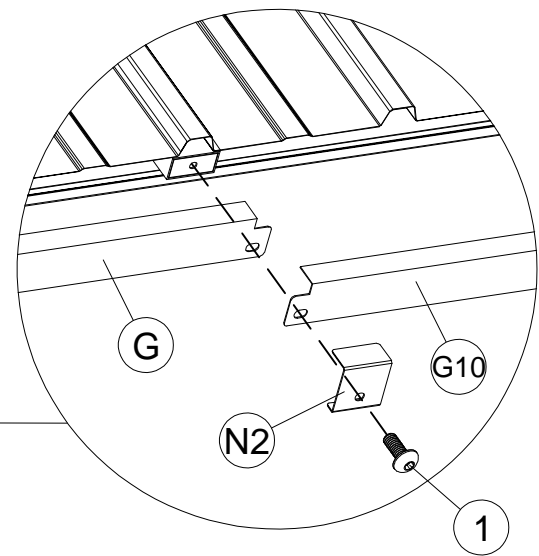
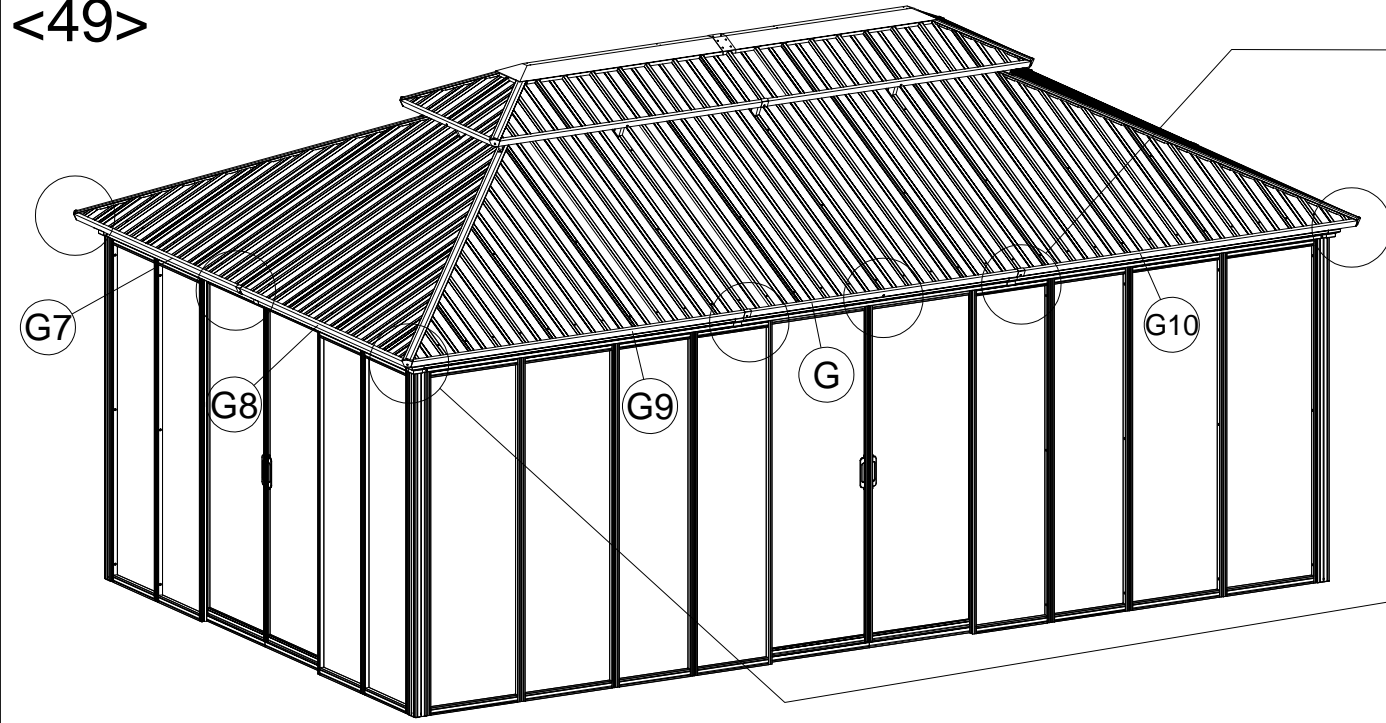
<47>



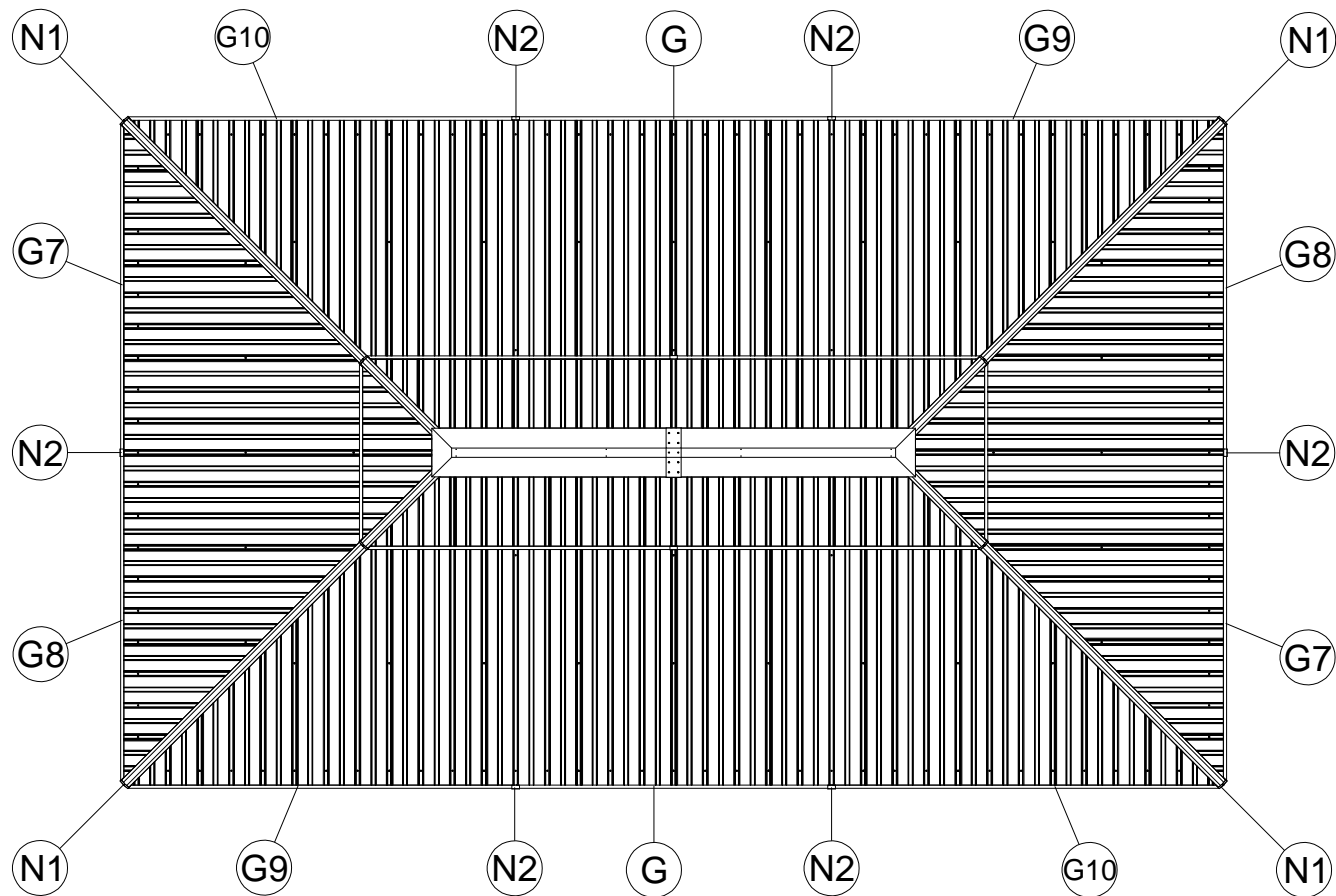


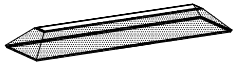


<49>



<50>





T1 x1



11 x36

Tips: The gazebo is already installed. Please determine where the gazebo will be placed and fix it with screws. If the floor on which the gazebo will be installed is concrete, it can be fixed with the expansion screws provided in the package.

<51>

