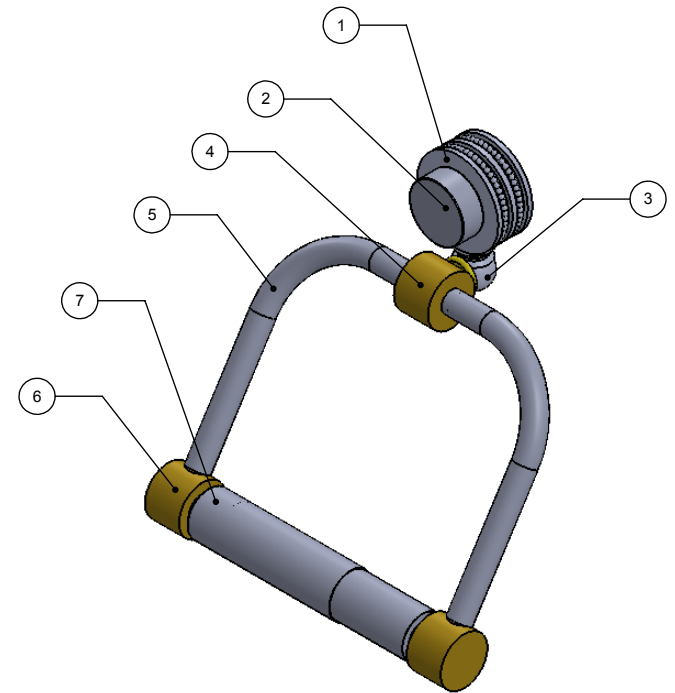
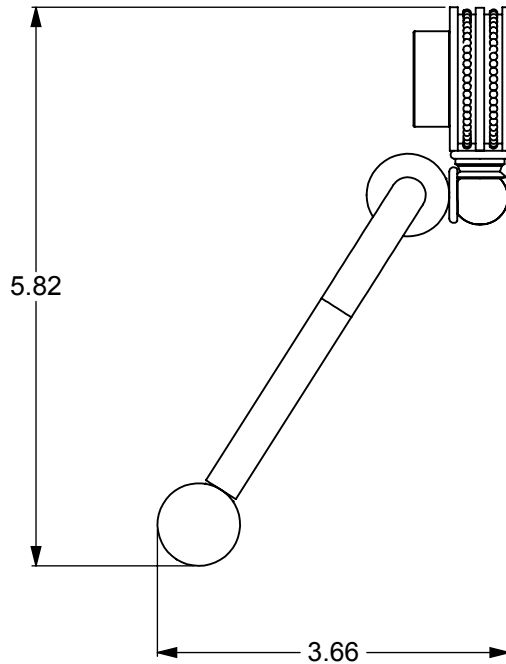
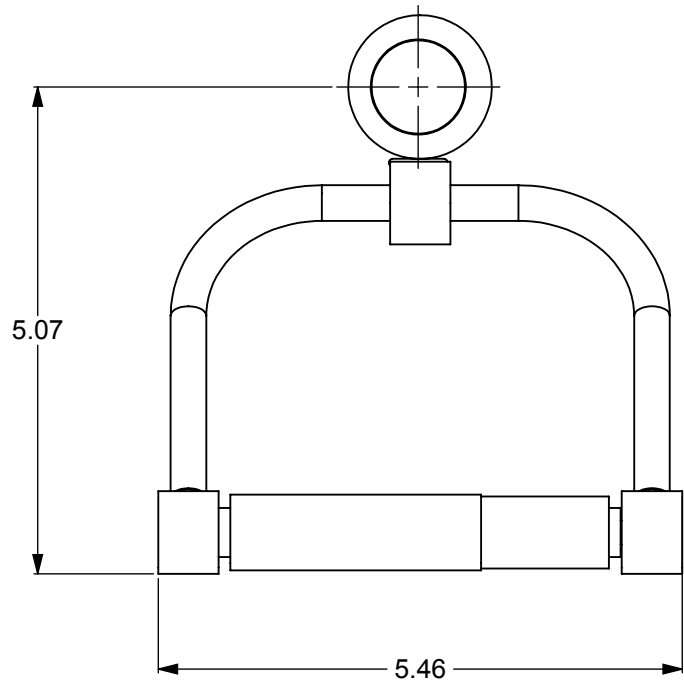


ITEM NO.	P/N	DESCRIPTION	QTY.
1	RGDT	CONNECTOR	1
2	CARD-1	END LOCK	1
3	#2 armback	SUPPORT	1
4	HBTTT-78	HUB	1
5	HKTT	PIPE	2
6	HBBTT-78	END HUB	2
7	RLB-SET	ROLL	1

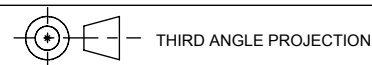


NOTES:  
1. UNIT IS IN INCHES

UNLESS OTHERWISE STATED

.X	±.3mm
.XX	±.15mm
.XXX	±.008mm

COPYRIGHT © Allied Brass 2016



DRAWN	1-28-2016	I.M
CHECKED	1-28-2016	P.D
APPROVED	1-28-2016	R.A

MATERIAL:	BRASS
DESCRIPTION:	DOUBLE POST TISSUE HOLDER



FINISH	TBD
QUANTITY	TBD
DRAWING No.	424D
REV	0
SCALE	1:2
SHEET: 01	A4