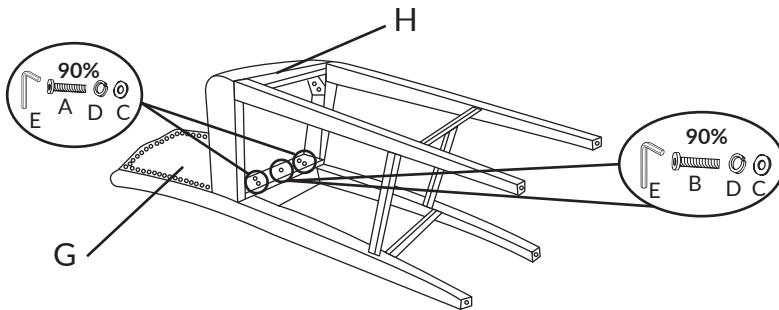
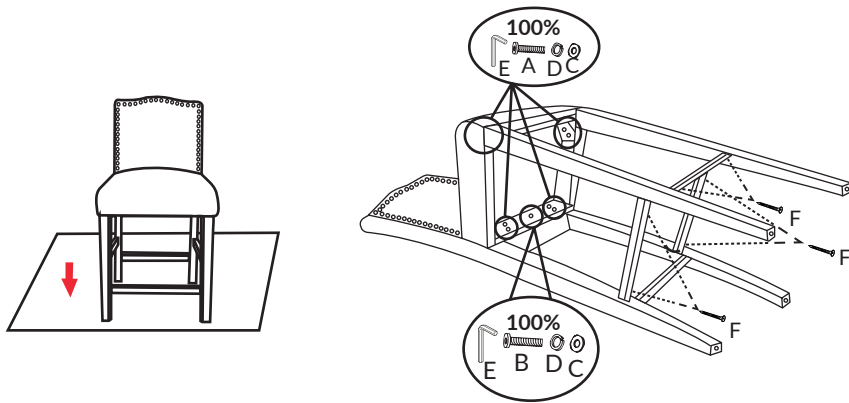


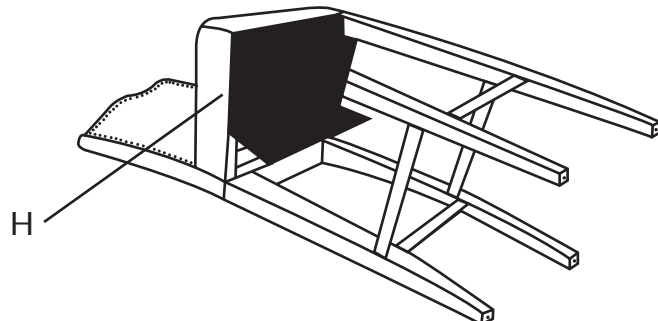
- 3** Attach Seat Deck (H) to Backrest with Rear Legs (G) using Bolt (A) or Bolt (B), Spring Washer (D) and Washer (C). Tighten using provided Allen Key (E).



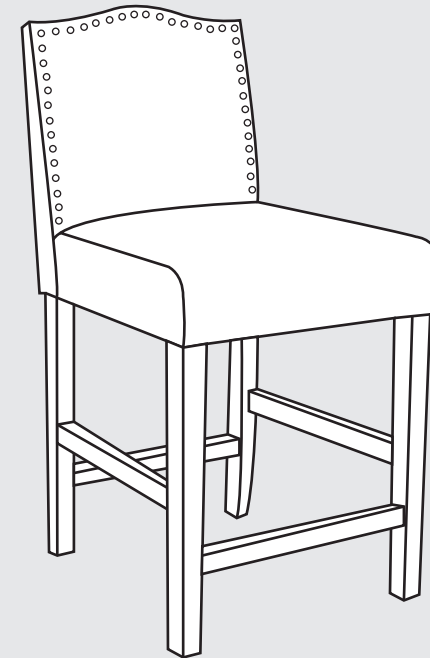
- 4** Secure Side Rungs (K and M) to the Legs using Screw (F). Tighten using a Screw Driver. Then, secure Bolt (A and B), Spring Washer (D) and Washer (C) under Seat Deck (H) using provided Allen Key (E).



- 5** Secure Velcro under Seat Deck (H).



## NAIL HEAD COUNTER STOOL



### ADULT ASSEMBLY REQUIRED

If you are missing any parts or have any questions regarding assembly, do not return this item to the retailers store. Please call our toll-free, customer service number and have this assembly manual open to the parts list ready to provide the model name, number and part name or number.

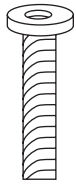


VN

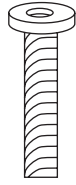
**WARNING:** This product may contain small components, please ensure they are kept away from small children.

## PARTS AND HARDWARE

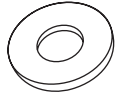
Avoid using sharp objects such as a knife to cut open packing as you may accidentally damage the upholstery.



A. 5/16x60mm Bolt  
8x



B. 5/16x40mm Bolt  
1x



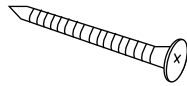
C. Washer  
9x



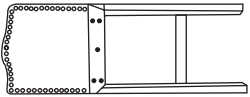
D. Spring Washer  
9x



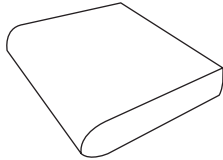
E. Allen Key  
1x



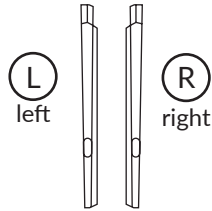
F. Screw  
6x



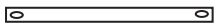
G. Backrest with Rear Legs  
1x



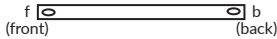
H. Seat Deck  
1x



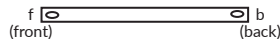
I. Front Legs  
2x



J. Front Rung  
1x



K. Left Side Rung  
1x



M. Right Side Rung  
1x

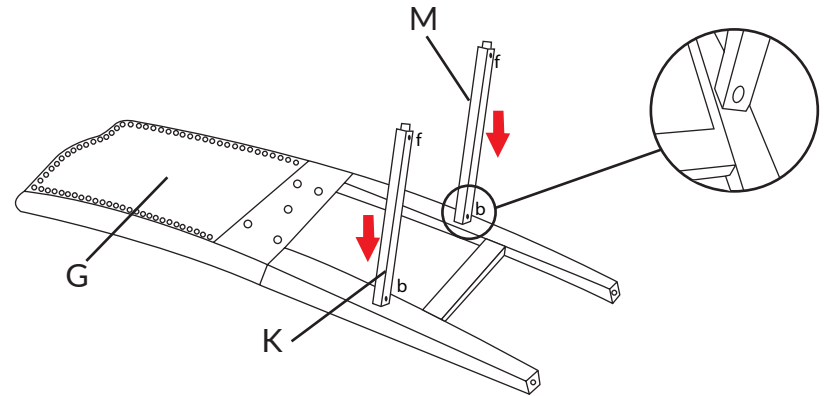
**PLEASE NOTE:** On part I, there will be markers that will indicate what leg is Left (L) and what left is Right (R). On parts K and M, there will be markers that indicate what side of the rung is the front (f) and back (b) side.

## ASSEMBLY INSTRUCTIONS

Do not fully tighten bolts until assembly is complete.

- 1 Attach Left Side Rung (K) and Right Side Rung (M) to Backrest with Rear Legs (G) making sure the holes on Left Side Rung (K) and Right Side Rung (M) are facing down, towards the bottom of Backrest with Rear Legs (G).

**PLEASE NOTE:** Do not use Screws (F) to attach the Rungs (K and M) to Backrest with Rear Legs (G) at this point in the assembly.



- 2 Attach Front Legs (I) to Seat Deck (H) using Bolt (A), Spring Washer (D) and Washer (C). Tighten using provided Allen Key (E).

