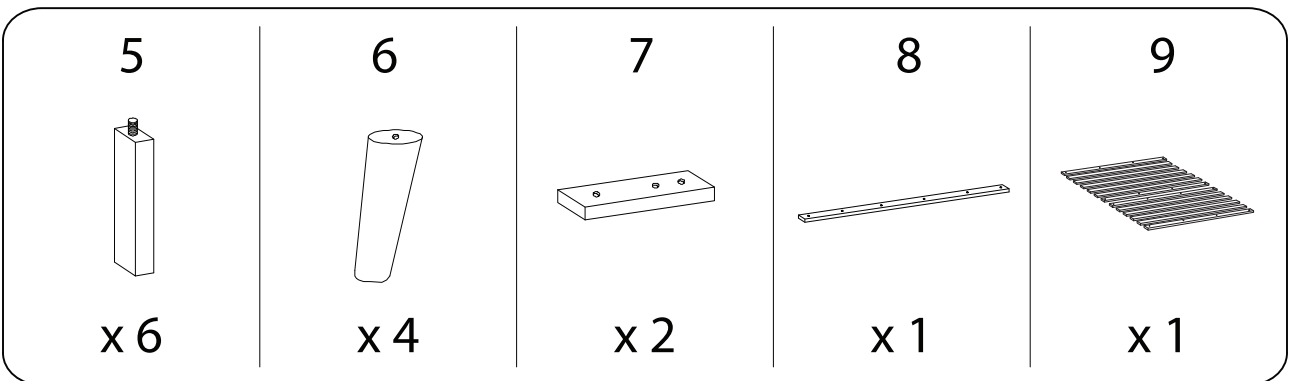
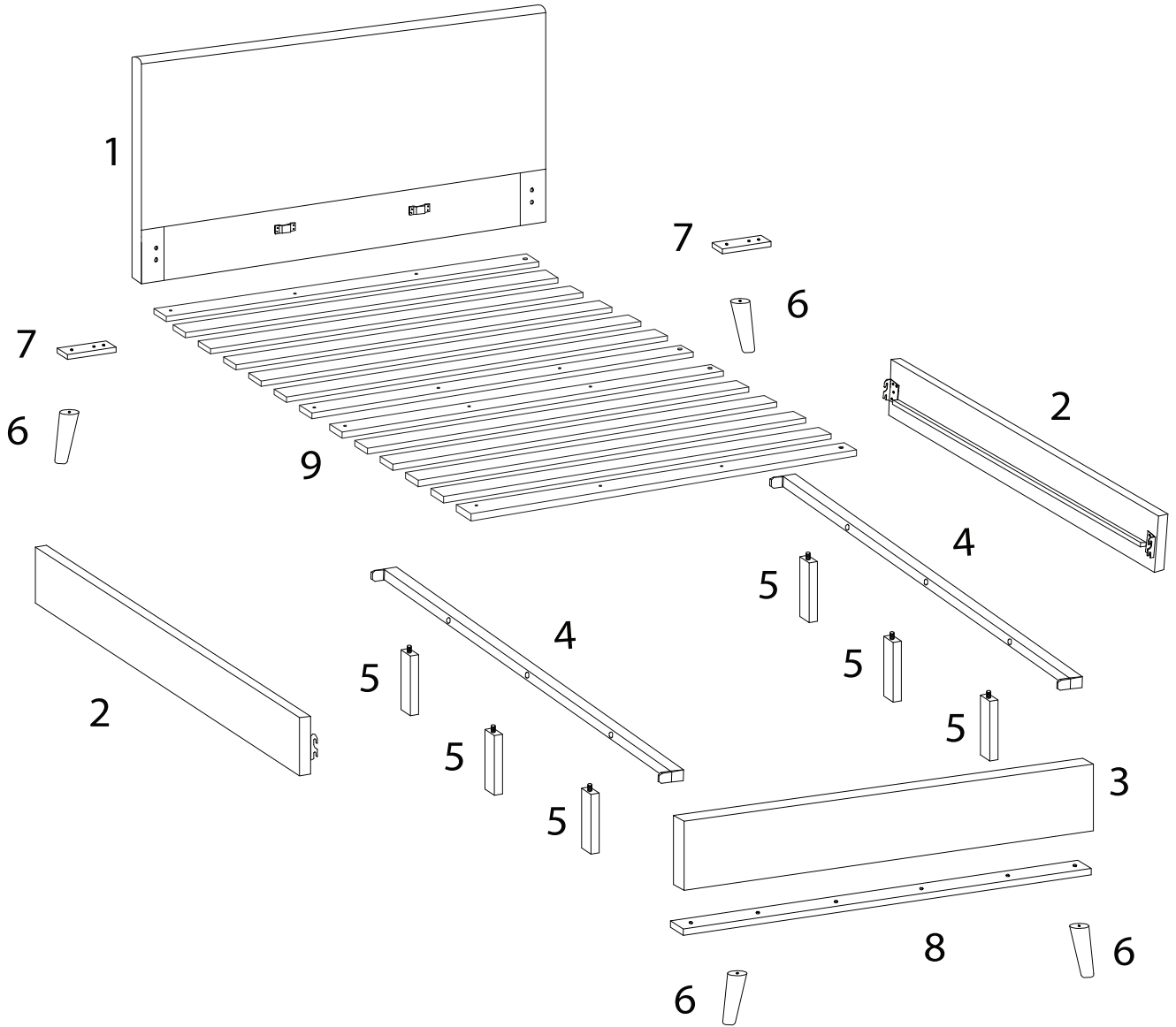
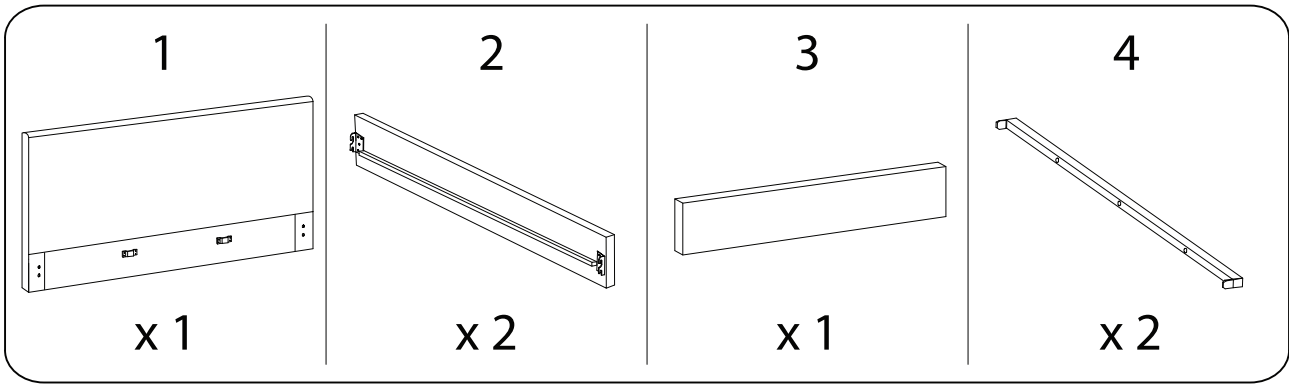
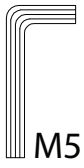


Assembly instructions for step 1/9:

- Tools:** A circle containing a screwdriver and an Allen key. A power drill is shown with a diagonal line through it, indicating it should not be used.
- Warning:** A triangle with an exclamation mark.
- Time:** A clock icon with the text "40'" below it, indicating the estimated assembly time.
- Personnel:** A person icon with the text "2" below it, indicating that two people are required for assembly.

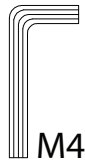


A



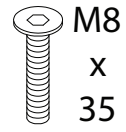
x 1

B



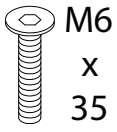
x 1

C



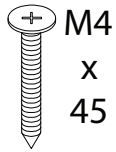
x 4

D



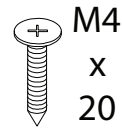
x 8

E



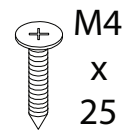
x 4

F







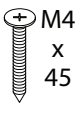
x 4

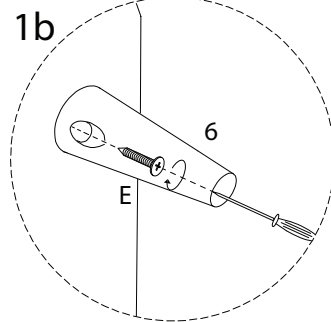
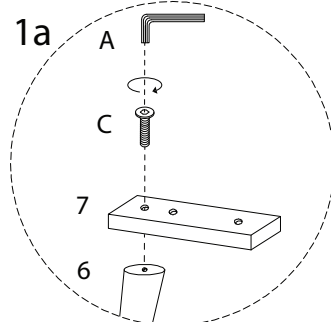
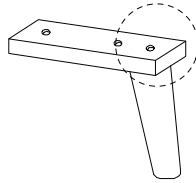
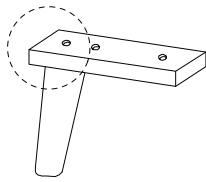
G







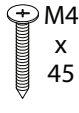
x 16

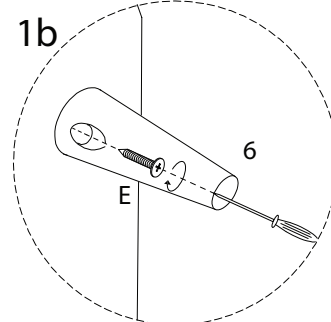
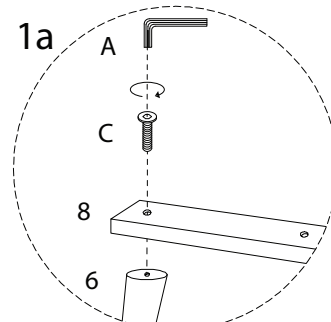
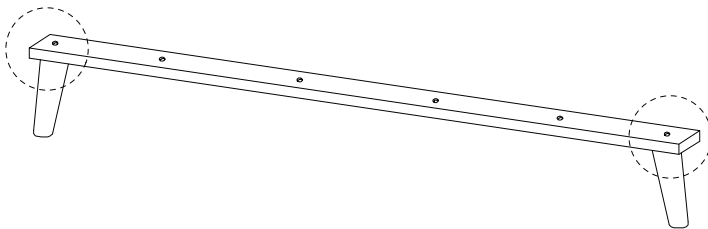
1

| | | | | |
|---|---|---|--|--|
| <p>6</p>  <p>x 2</p> | <p>7</p>  <p>x 2</p> | <p>A</p>  <p>M5</p> <p>x 1</p> | <p>C</p>  <p>M8 x 35</p> <p>x 2</p> | <p>E</p>  <p>M4 x 45</p> <p>x 2</p> |
|---|---|---|--|--|

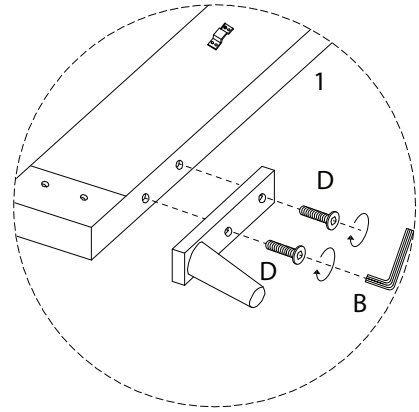
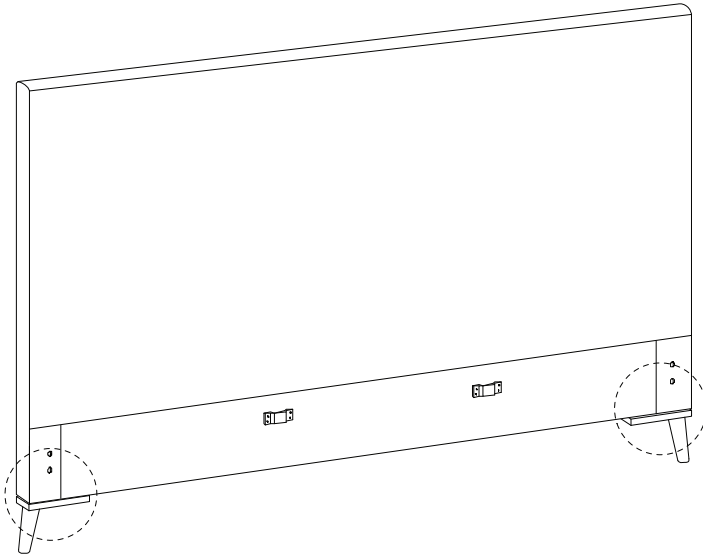
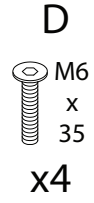
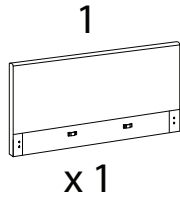


2

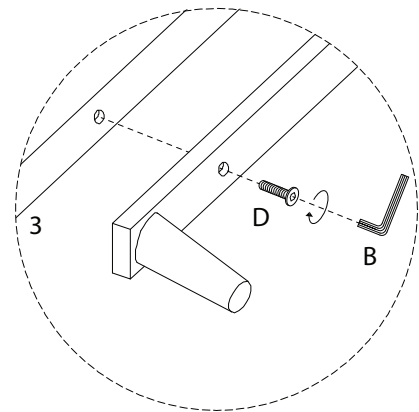
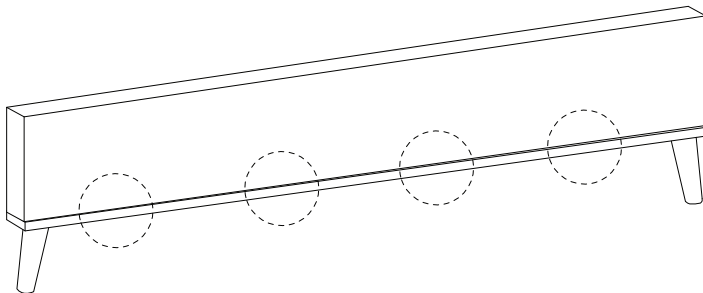
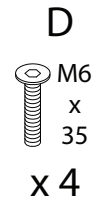
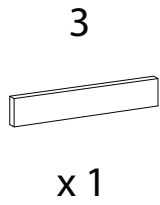
| | | | | |
|---|---|---|--|--|
| <p>6</p>  <p>x 2</p> | <p>8</p>  <p>x 1</p> | <p>A</p>  <p>M5</p> <p>x 1</p> | <p>C</p>  <p>M8 x 35</p> <p>x 2</p> | <p>E</p>  <p>M4 x 45</p> <p>x 2</p> |
|---|---|---|--|--|



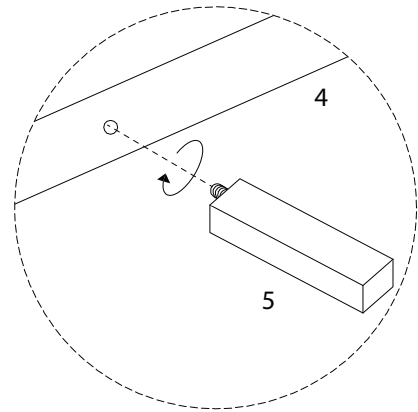
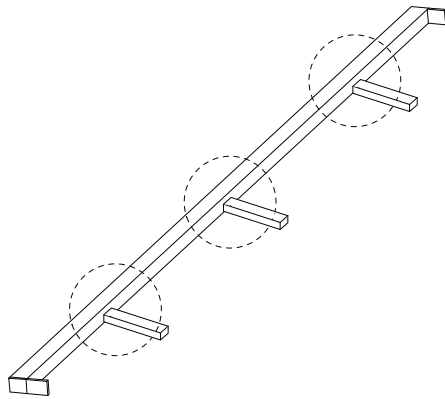
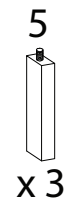
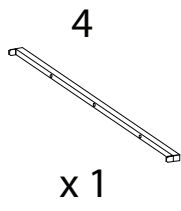
3



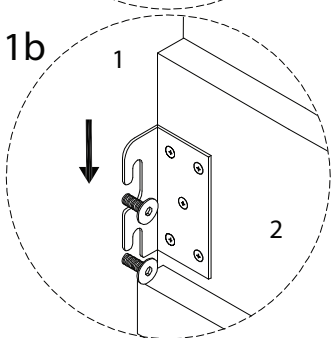
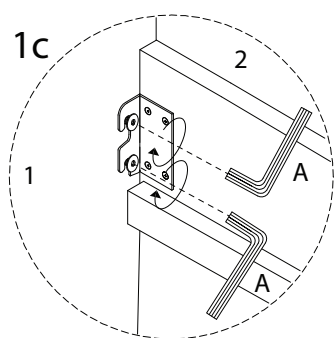
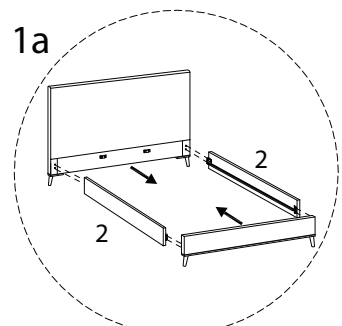
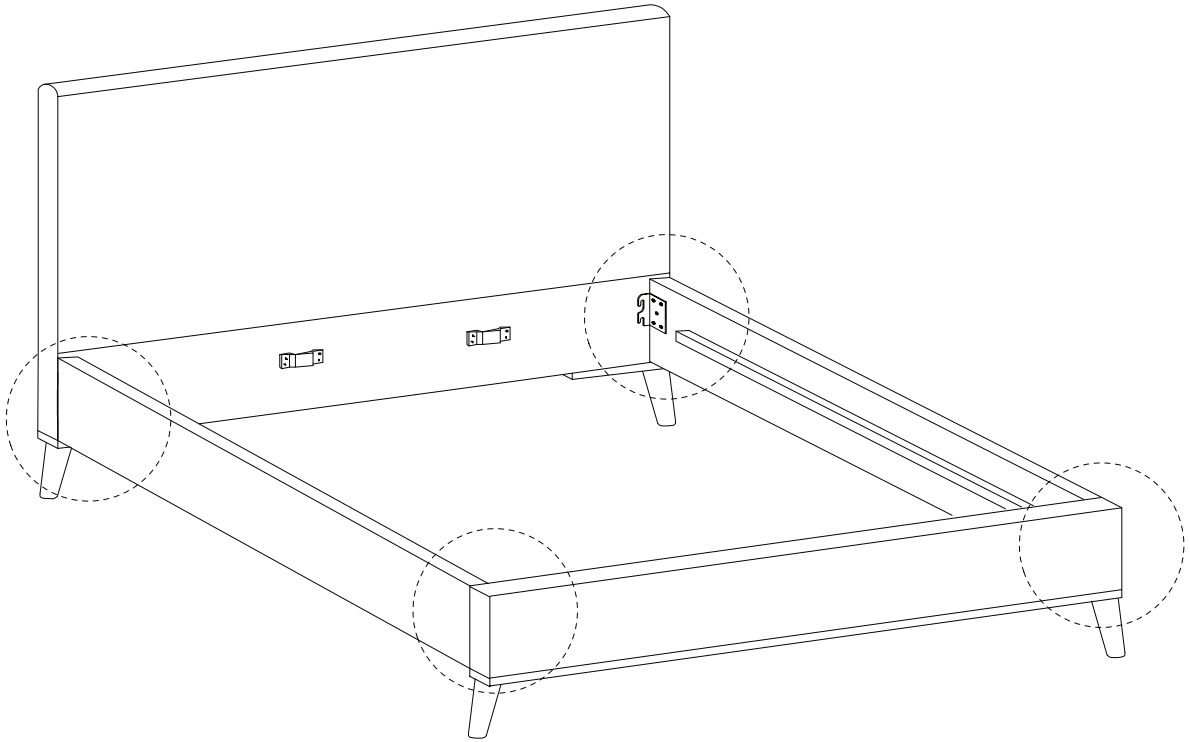
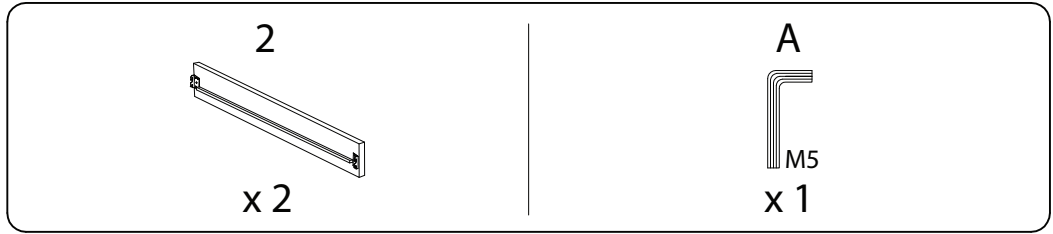
4



5 x 2



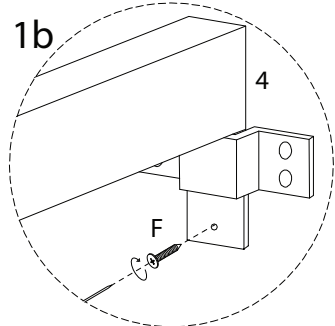
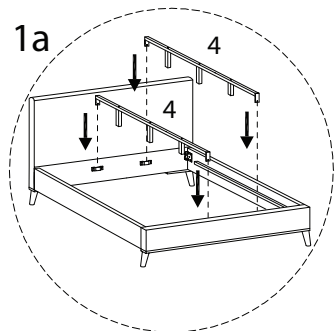
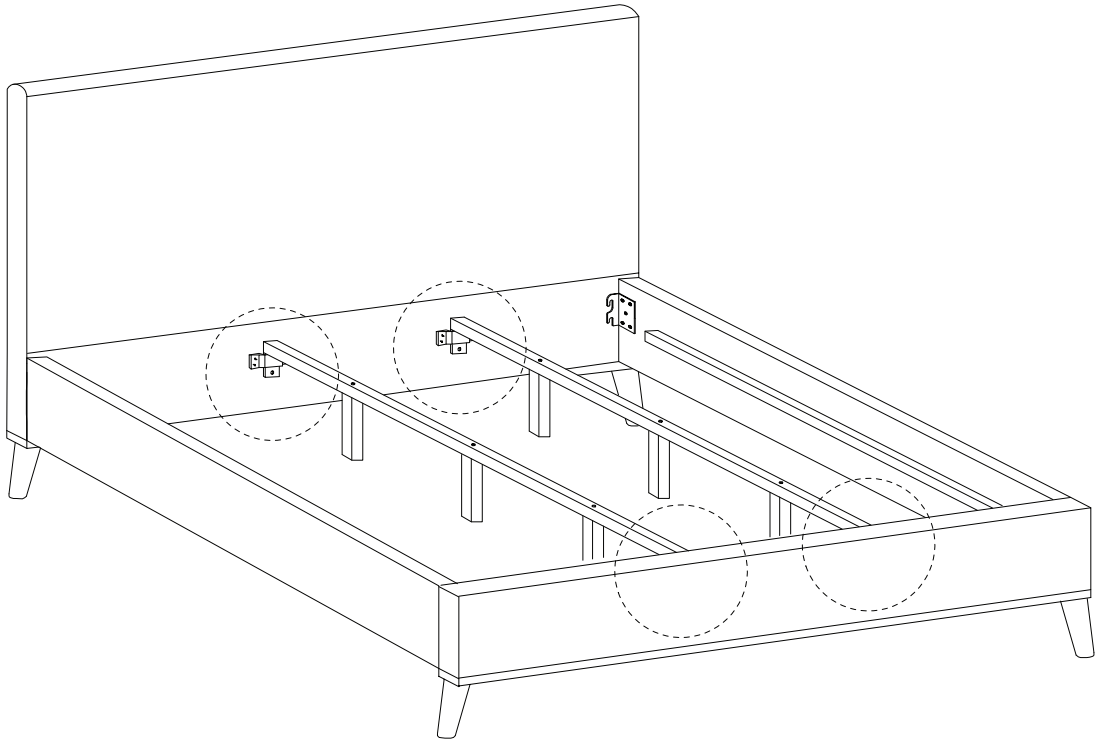
6



7

F

M4
x
20
x 4



8

9



x 1

G



x 16

