

Assembly Instructions

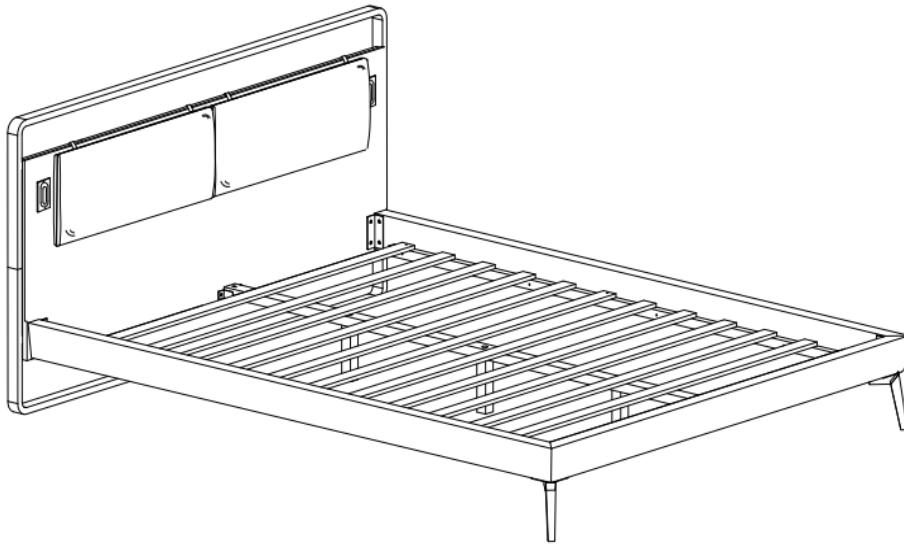
Caution : You must read this before you proceed

Care & Maintenance

- ⊘  ● Not for commercial use. For residential use only.
 - ✓  ● Furniture may scratch floors. We recommend using furniture pads to protect your floors.
 - ⊘  ● Do not put hot items directly on furniture surface.
 - ⊘  ● Do not clean furniture with harsh cleansers or polish.
 - ⊘  ● Do not place furniture under direct sunlight.
 - ⊘  ● Do not place furniture near heating or cooling vents.
 - ⊘  ● Do not write on furniture without a padded barrier to protect the surface.
 - ⊘  ● Do not place furniture outside . For indoor use only.
 - ⊘  ● Stains may be removed with mild soap solution and damp cloth.
 - ⊘  ● Children should not climb or jump on the furniture.
- ✓  ● Dust and pick-up spills using a clean, non-colored, lint-free cloth.

Please look in carton for hardware packs and legs.
Sets often ship in multiple boxes and may arrive a day or two apart.

Upholstered Bed



WARNING

STRANGULATION HAZARD.

NEVER place bed near windows where cords from blinds or drapes may strangle a child.
NEVER suspend strings over bed.
NEVER place items with a string, cord, or ribbon, such as hood strings or pacifier cords, around a child's neck. These items may catch on bed parts.
ALWAYS follow assembly instructions.

WARNING!

Not intended for children under the age of six. **INFANTS HAVE DIED FROM BECOMING ENTRAPPED IN BEDS.** Openings in and between bed parts can entrap the neck and head of a small child. NEVER use bed for child under the age of six.

The mattress must be appropriately sized for the bed. If the mattress is undersized, dangerous gaps can exist and a person can become entrapped or entangled in the frame and suffocate.


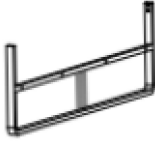


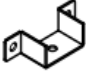



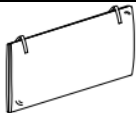
Note: This Bed is NOT a TOY.

Keep your child/children at bay during the assembly process.



The BED is HEAVY.





To prevent injury to yourself or damage to the product a minimum of two adults are required whenever moving or lifting it.

Parts List






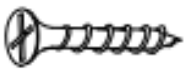
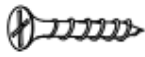
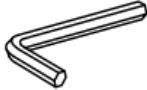
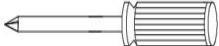
Label	Picture	Description	QTY
A		Headboard Frame	1
B		Headboard Frame Base	1
C		Headboard	1
I		Midfoot	3
K		Iron Bracket	2
L		Connector	4
M		Bedside lamp	2
N		Support Leg	2
O		Cushion	2

Parts List

Label	Picture	Description	QTY
D		Side Panel-D	1
E		Side Panel-E	1

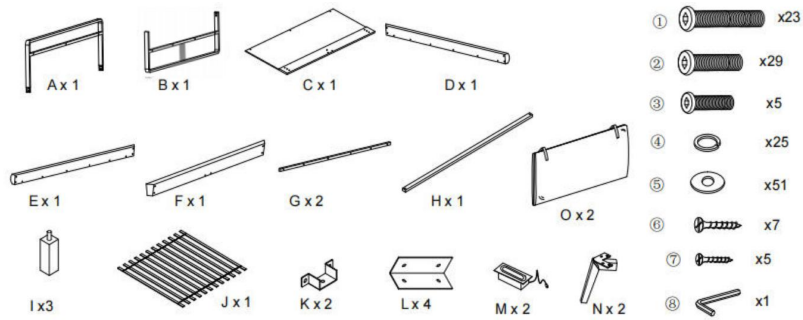
F		Foot Panel	1
G		Side Rail	2
H		Middle Support Rail	1
J		Slat	1

Hardware

Label	Picture	Description	QTY
①		Bolt Ø1/4"×1-1/2"	22+1
②		Bolt Ø1/4"×3/4"	28+1
③		Bolt Ø1/4"×1/2"	4+1
④		Spring Washer Ø1/4"	24+1
⑤		Flat Washer Ø1/4"× 16mm× 1.5	50+1
⑥		Screw #8×1"	6+1
⑦		Screw M3.5*16mm*7	4+1
⑧		Allen Wrench 4.0×21×57	1
⑨		Screwdriver (Not provided)	1

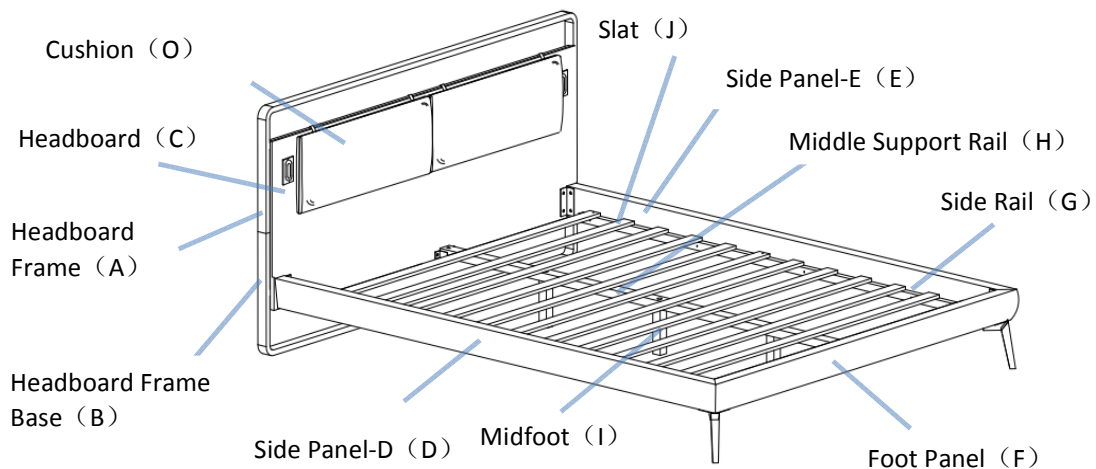
Assembly Preparation

Before Beginning Assembly :



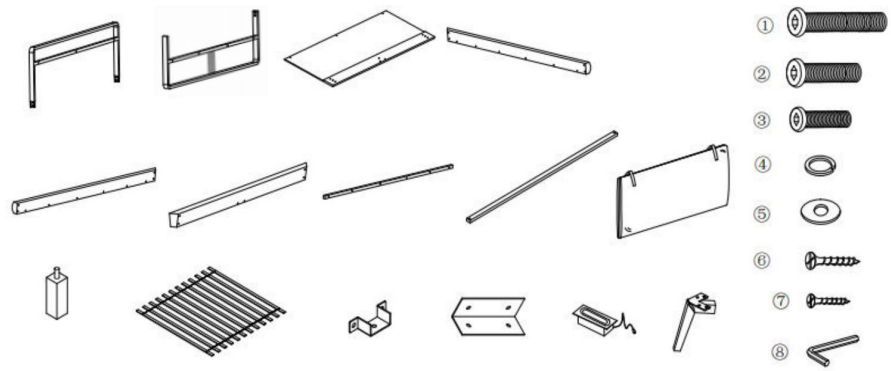
- Read instructions, cover to cover-
- Have 2 adults on hand for assembly-
- Do not assemble on flooring or carpet-
- Assemble on a clean non-marring surface (packing foam)-
- Save all packaging until finished-

Assembly Steps



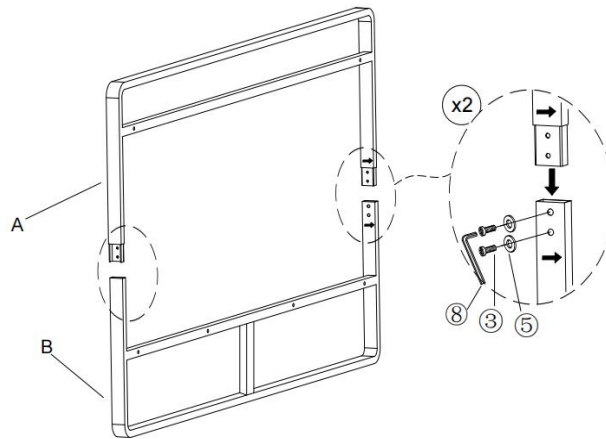
This Upholstered Bed has multiple parts and may require up to some 30 minutes to assemble. To give you an overview of the Upholstered Bed parts, the above picture is to help you put the various parts into perspective. Please read through the instructions below to familiarise yourself with the parts and steps before assembly.

Step 1



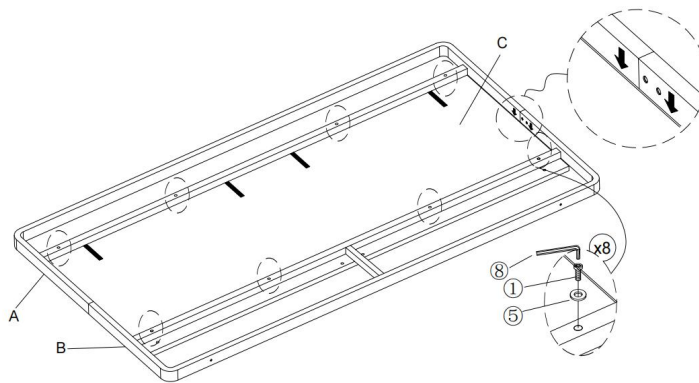
Unpack and place all parts on a clean, non-marring surface.

Step 2



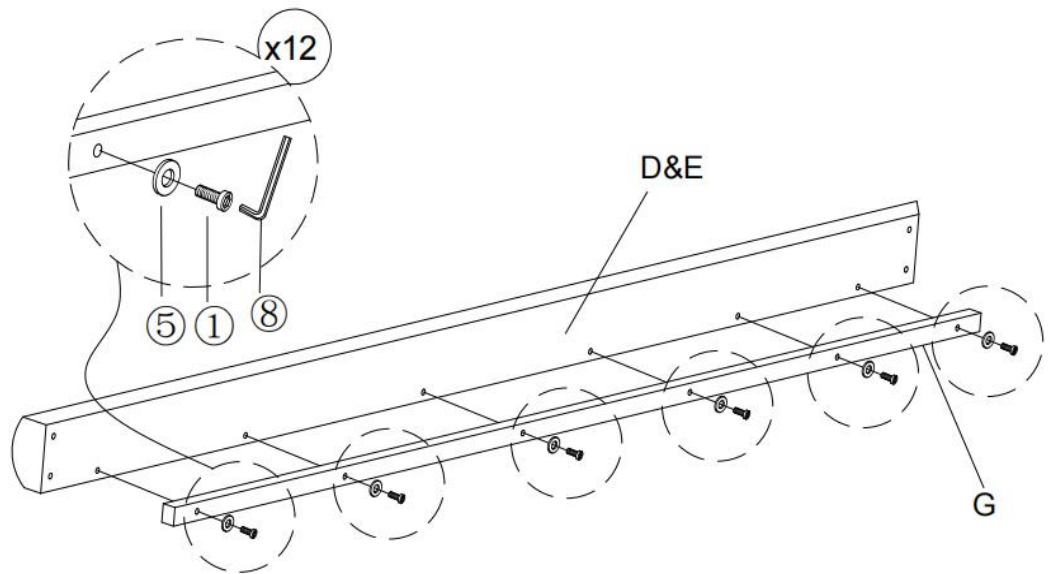
Attach the Headboard Frame(A) to Headboard Frame Base(B) by using Bolts(③), Flat Washers(⑤) with Allen Wrench(⑧).

Step 3



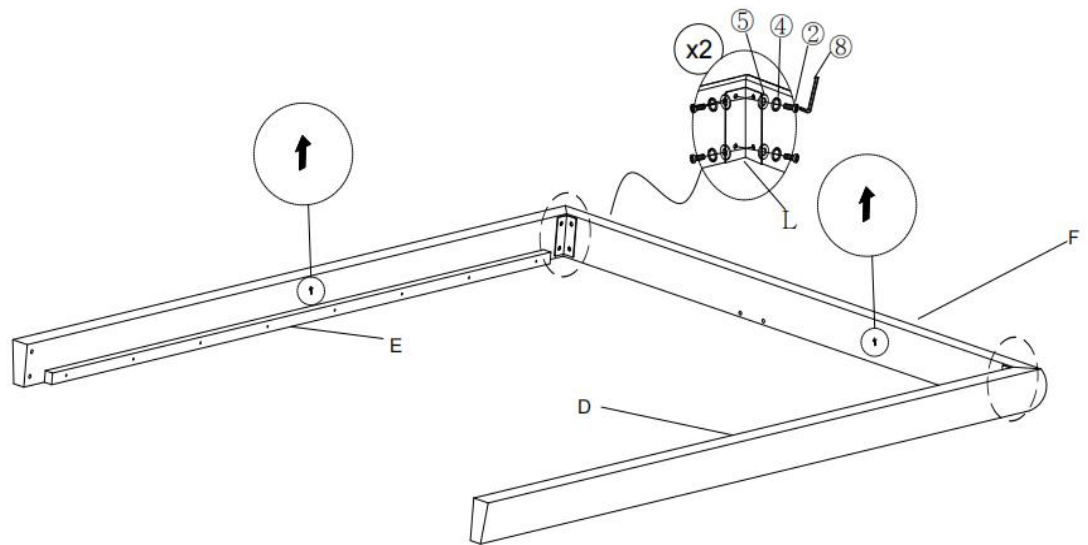
Attach Headboard(C) to Headboard Frame(A) and Headboard Frame Base(B) by using Bolts(①), Flat Washers(⑤) with Allen Wrench(⑧).

Step 4



Attach Side Rail(G) to Side Panel(D&E) by using Bolts(①), Flat Washers(⑤) with Allen Wrench(⑧).

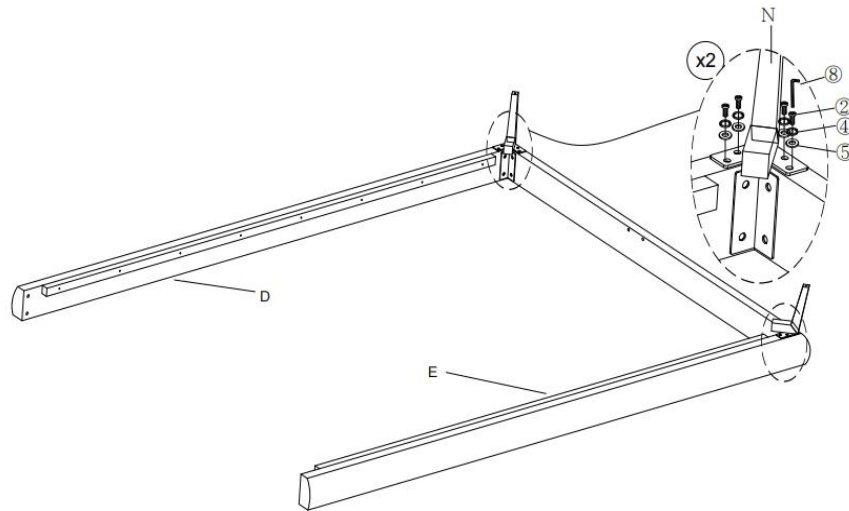
Step 5



Attach Connector (L) to Side Panel(D&E) and Foot Panel(F) by using Bolts(②), Spring Washers(④), Flat Washers(⑤) with Allen Wrench(⑧).

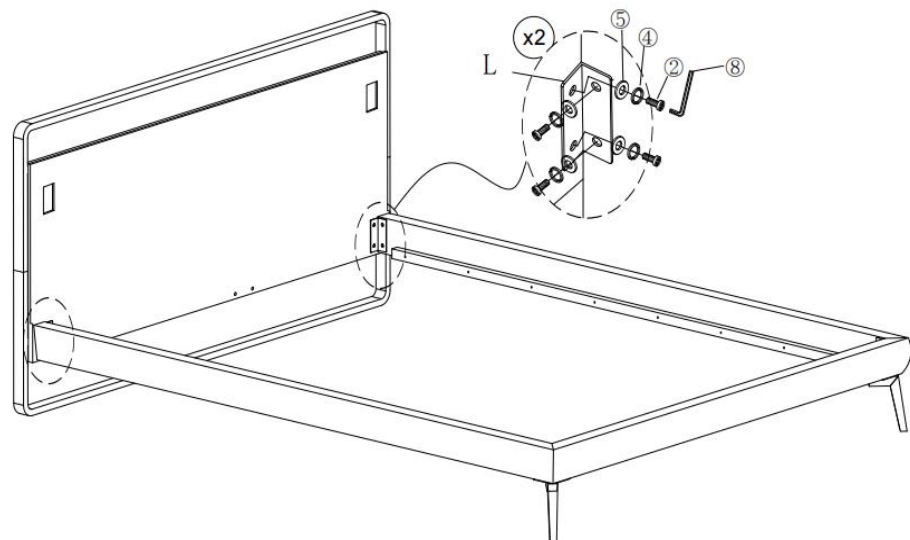
DO NOT FULLY TIGHTEN BOLTS.

Step 6



Attach Support Legs(N) to Foot Panel (F) and Bed Sides(D&E) by using Bolts(②), Spring Washers(④), Flat Washers(⑤) with Allen Wrench(⑧).

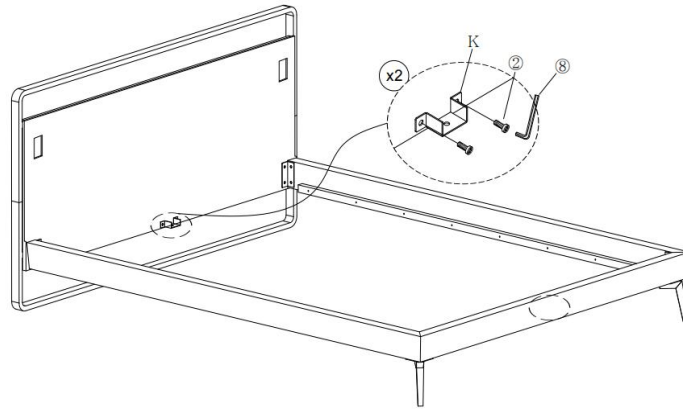
Step 7



Attach Connector(L) to Side Panel(D&E) and Headboard(C) by using Bolts(②), Spring Washers(④), Flat Washers(⑤) with Allen Wrench(⑧).

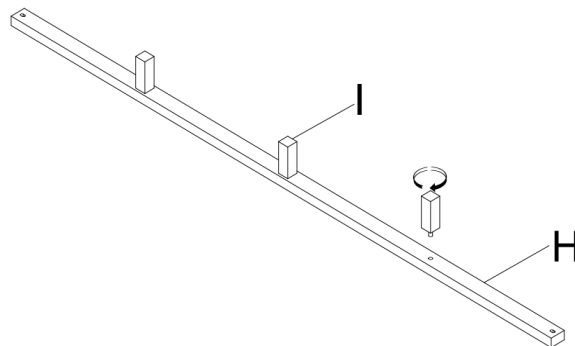
DO NOT FULLY TIGHTEN BOLTS.

Step 8



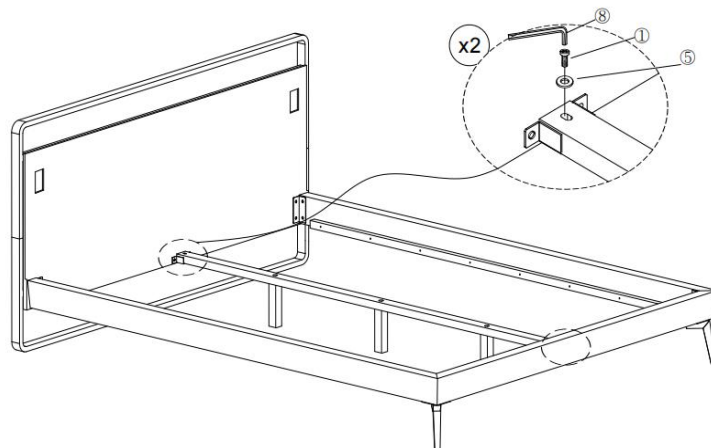
Attach Iron Bracket(K) to Headboard (C) and Foot Panel (F) by using Bolts(②) with Allen Wrench(⑧).

Step 9



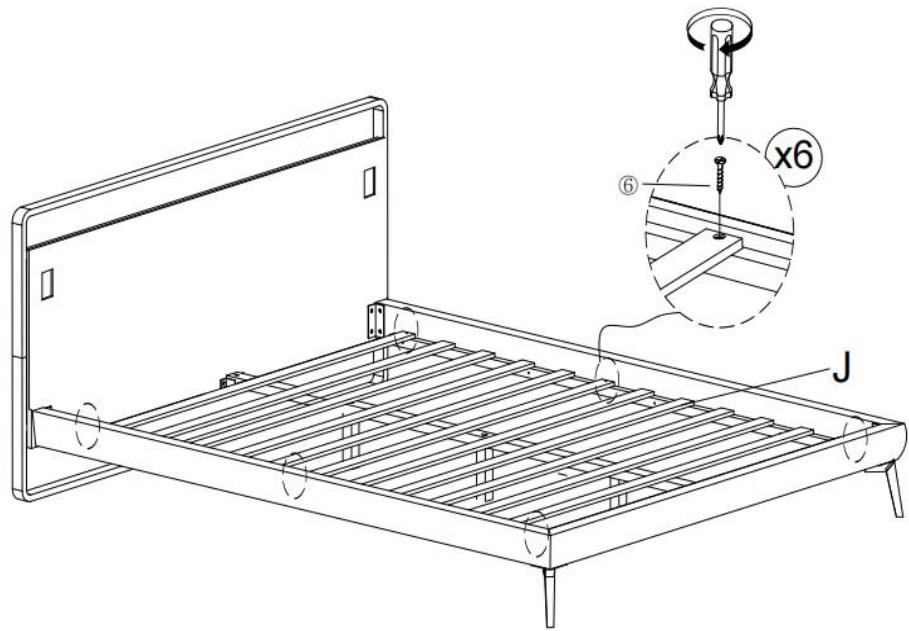
Install Midfeet(I) on Middle Support Rail(H).

Step 10



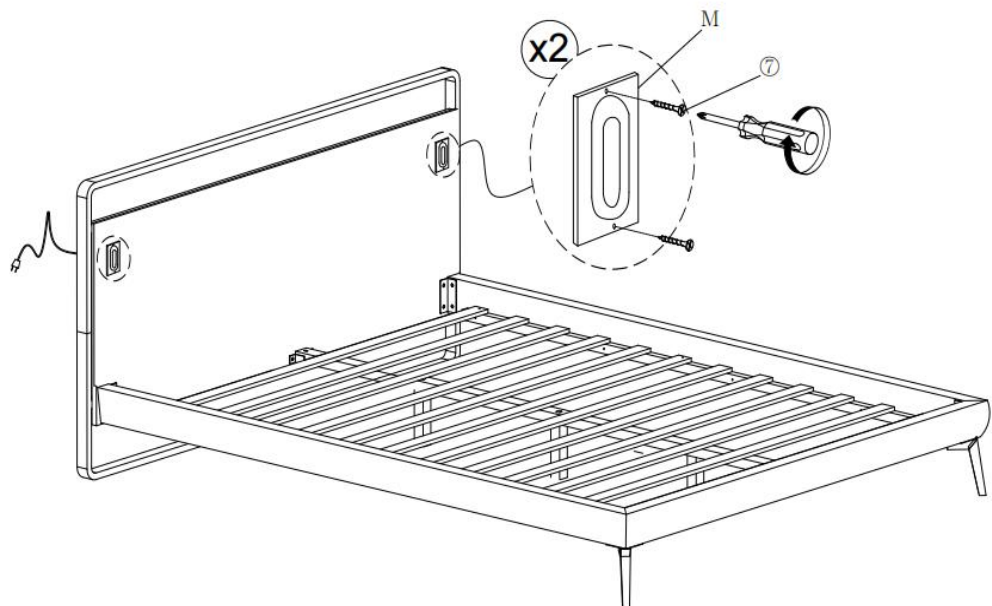
Attach Iron Brackets(K) to Middle Support Rail(H) by using Bolts (①), Flat Washers(⑤) with Allen Wrench(⑧).

Step 11



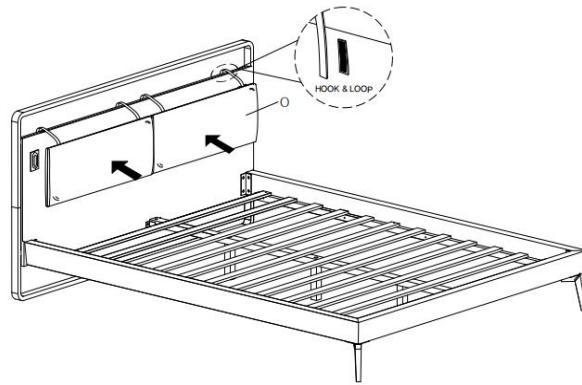
Attach Slat(J) to Side Rail(G) by using Screw(6) with screwdriver (not provided).

Step 12



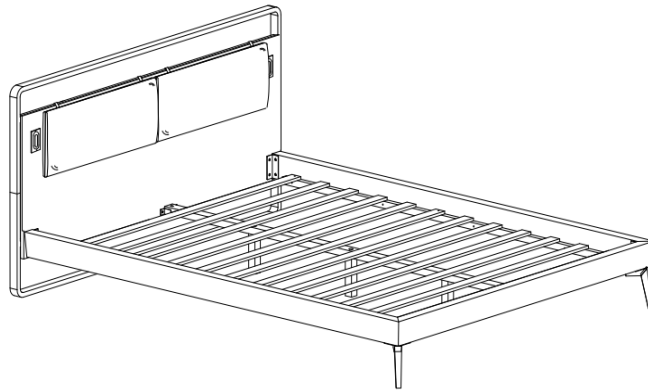
Attach Bedside lamps(M) to Headboard(C) by using Screw(7) with screwdriver(not provided).

Step 13



Install the Cushion(O)to Headboard(C).

Step 14



Place the Bed on a LEVEL SURFACE.

Inspect it and make sure all parts are adequately connected.

Don't push too hard, shake on the bed.

This would help to align all the parts at all the joint areas.

CAUTION : When tightening these screws, tighten sequentially.

DO NOT tighten any screw fully and then towards the next one.

This would cause the frame to warp.

If there is still wobbles, loosen the screws and execute this same process.DO

NOT tighten any screw fully and then towards the next one.

WARNING!! IF BED IS NOT STABLE , IT COULD LEAD TO DAMAGING THE PRODUCT.

Ensure all screws are fully locked into position.

The bed is ready to be used.

This Bed can only be used on a flat, level surface.