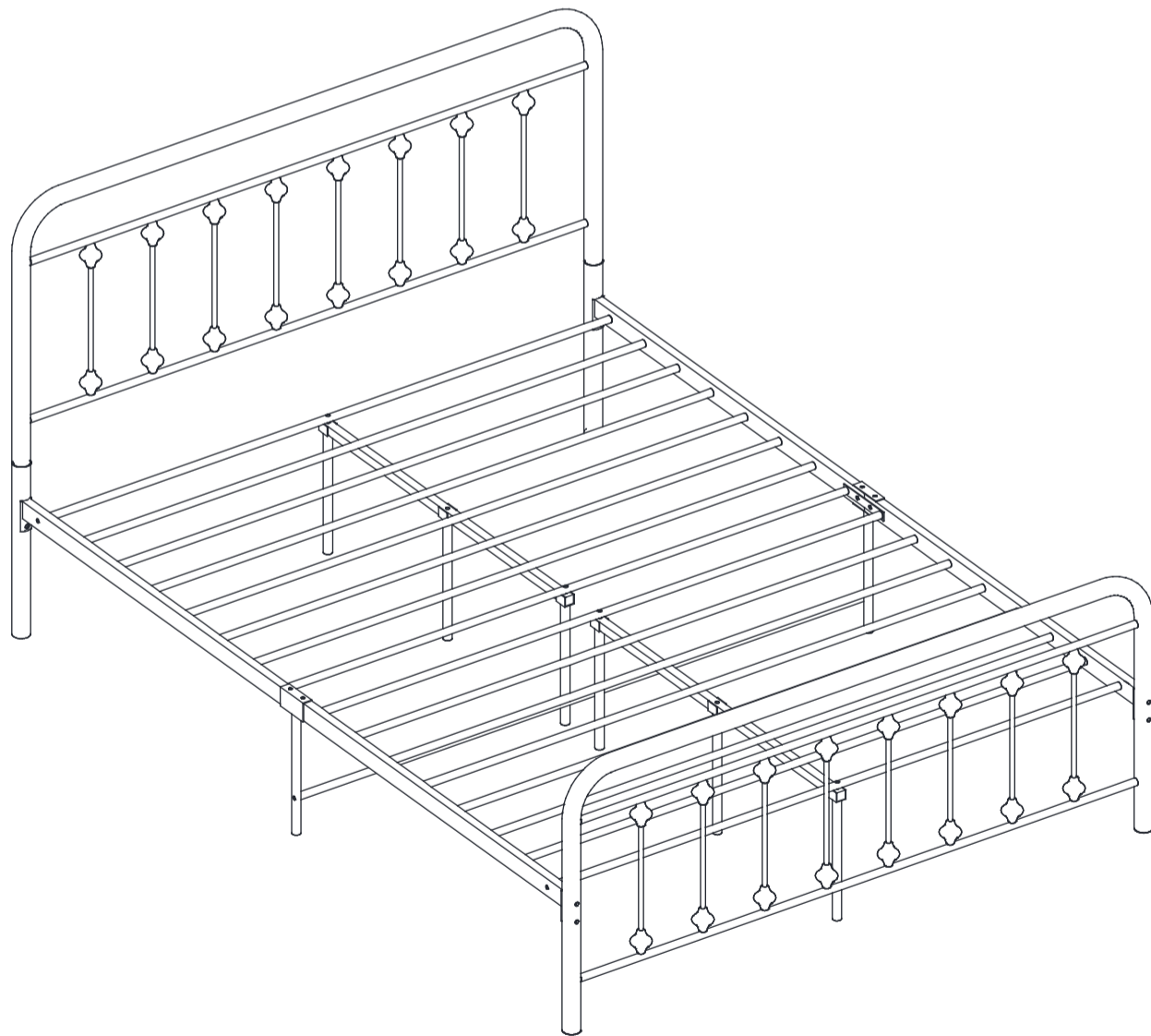
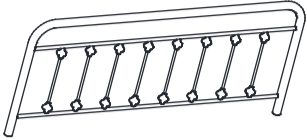

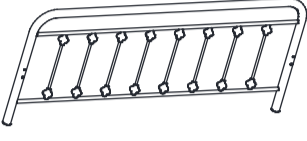

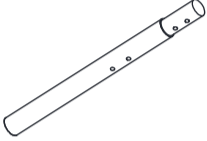



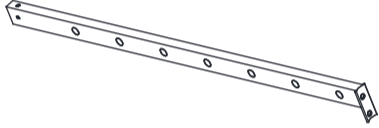

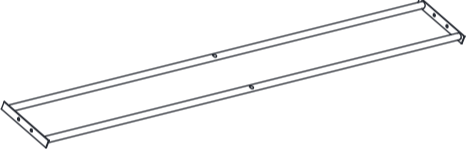














ASSEMBLY INSTRUCTION

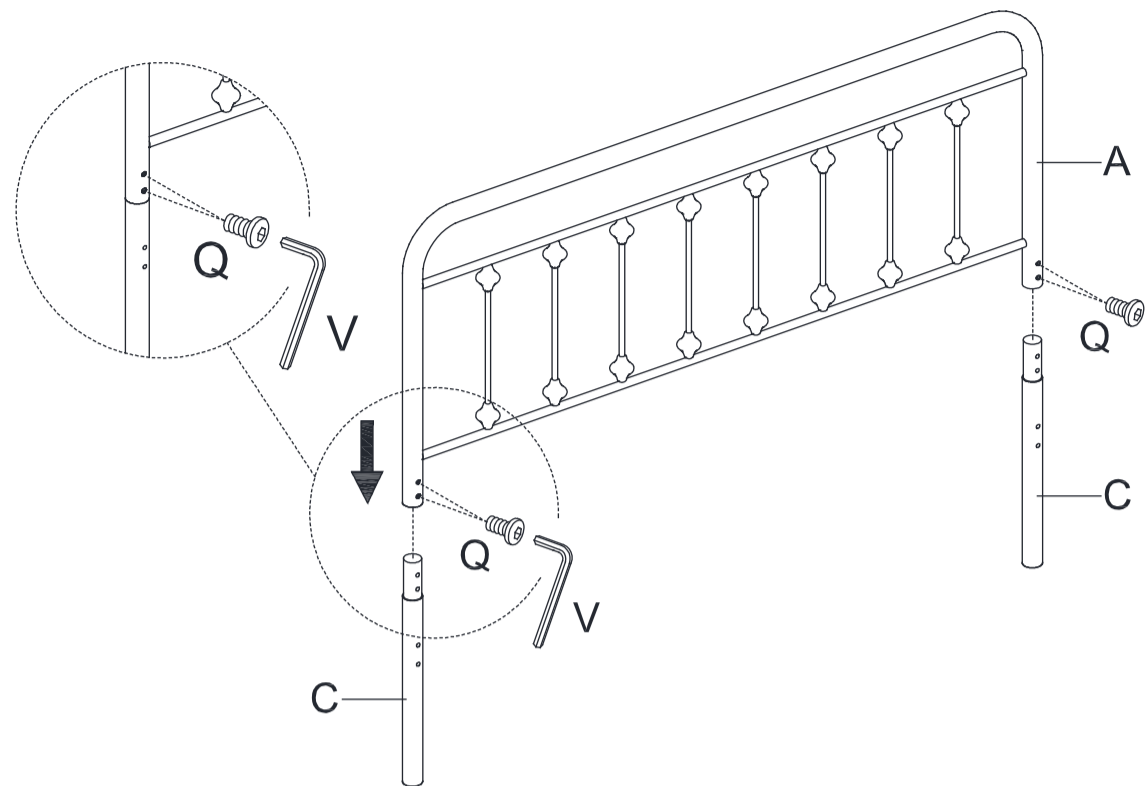
WF198591



PARTS AND HARDWARE LIST

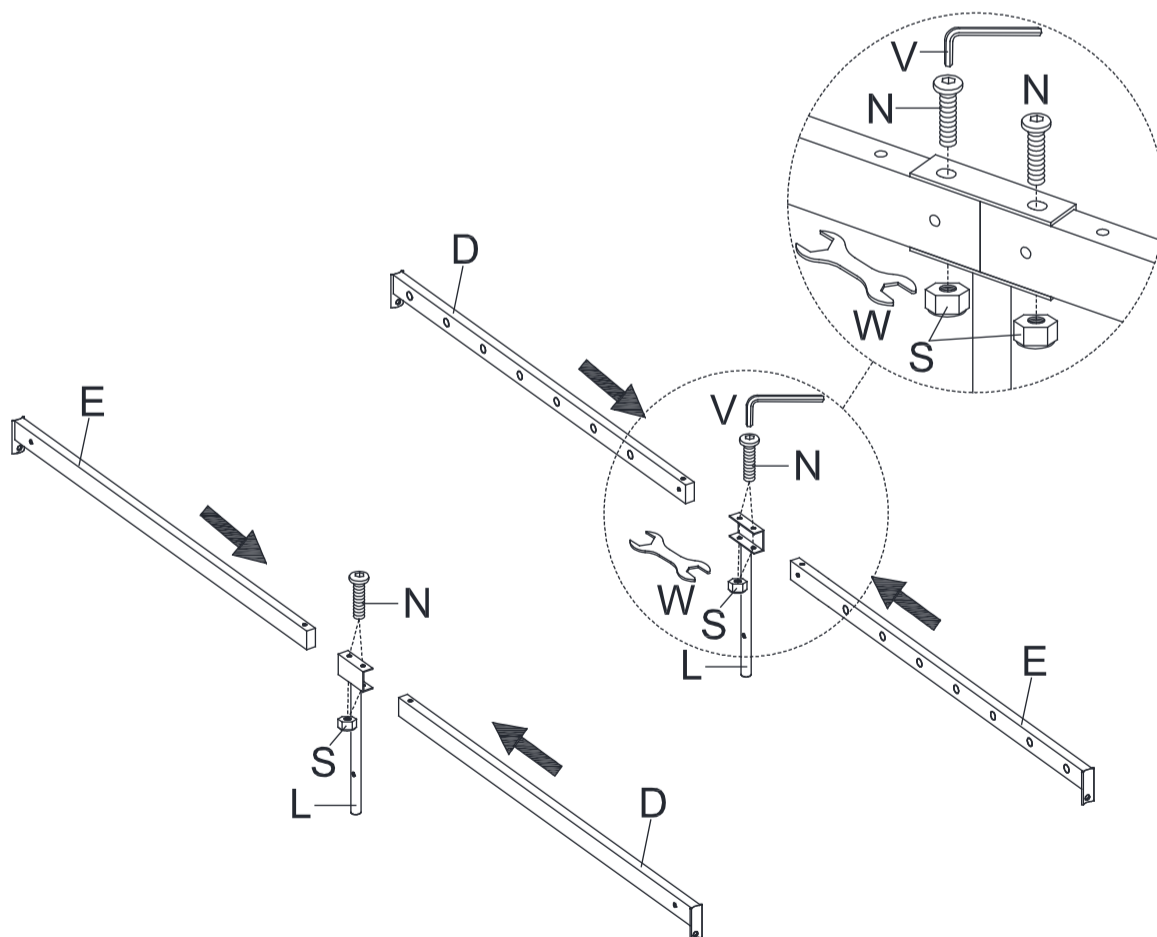
A		1PC	N	 M6*50mm	4PCS
B		1PC	O	 M6*45mm	8PCS
C		2PCS	P	 M6*25mm	4PCS
D		2PCS	Q	 M6*12mm	8PCS
E		2PCS	R	 M8	4PCS
F		1PC	S	 M6	4PCS
G		2PCS	T		8PCS
H		12PCS	U	 M8	1PC
I		2PCS	V	 M6	1PC
J		1PC	W		1PC
K		6PCS			
L		2PCS			
M	 M8*45mm	8PCS			

STEP 1



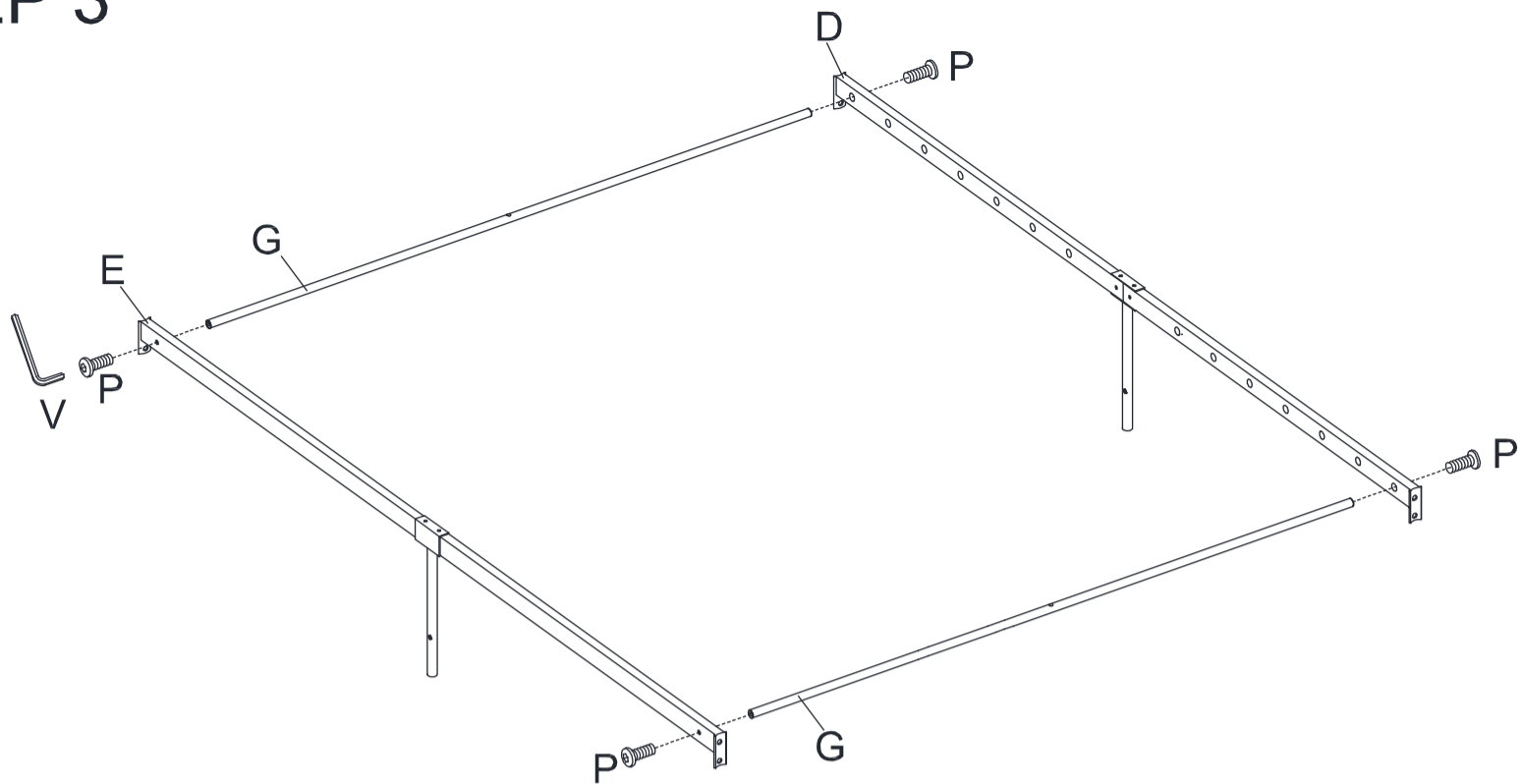
Attach A*1 to C*2 with bolts Q*4, and then tighten them with Allen Key V.

STEP 2



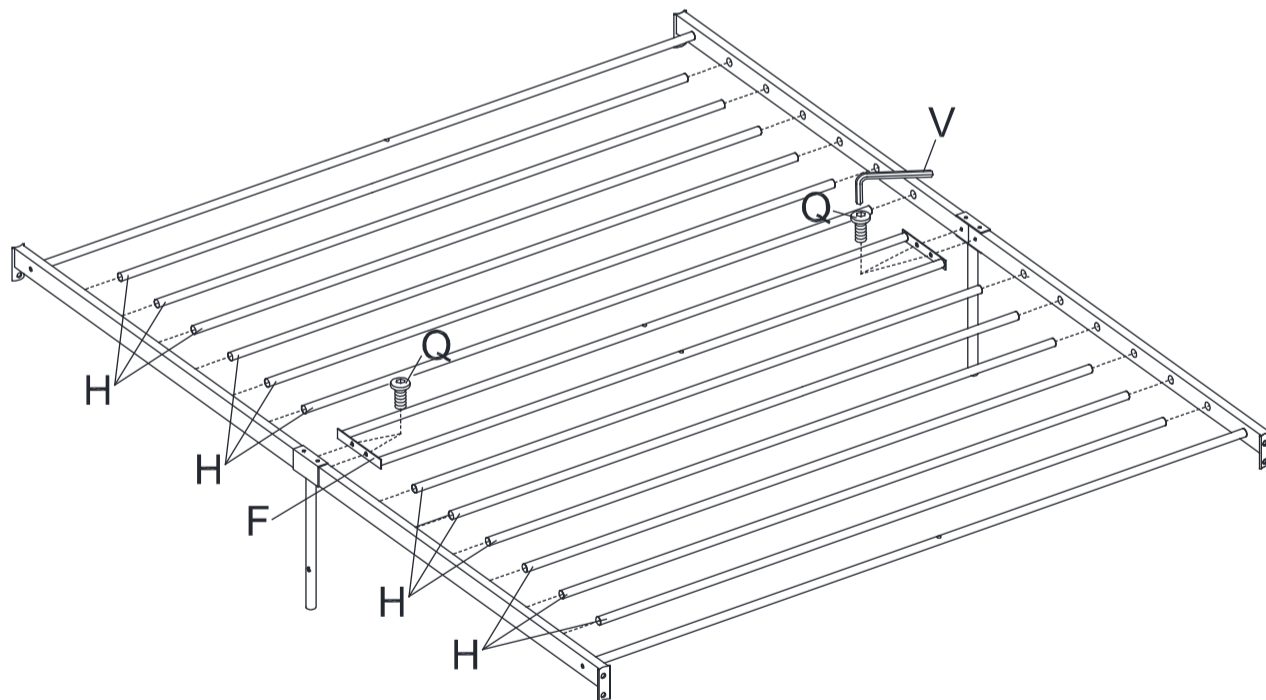
Attach D*1, E*1 to L*1 with bolts N*2, nuts S*2, and then tighten them with Spanner W, Allen Key V. The other side do the same.

STEP 3



Attach G*2 to the first and the last hole on side rails (D+E), and tighten them with bolts P*4. DO NOT TIGHTEN THE BOLTS TOTALLY.

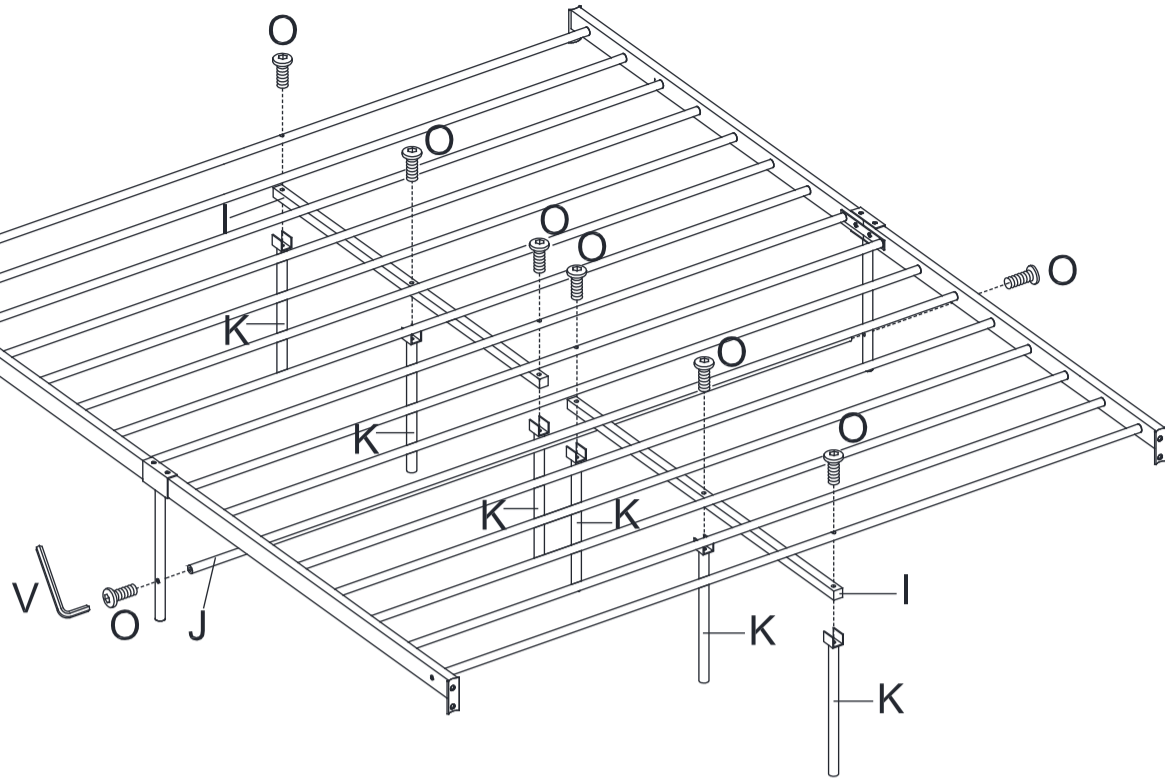
STEP 4



Attach F*1 to the EIGHTH and the NINTH hole on side rails (D+E), and tighten them with bolts Q*4. DO NOT TIGHTEN THE BOLTS TOTALLY.

Insert H*12 into the remaining holes on the side rails (D+E).

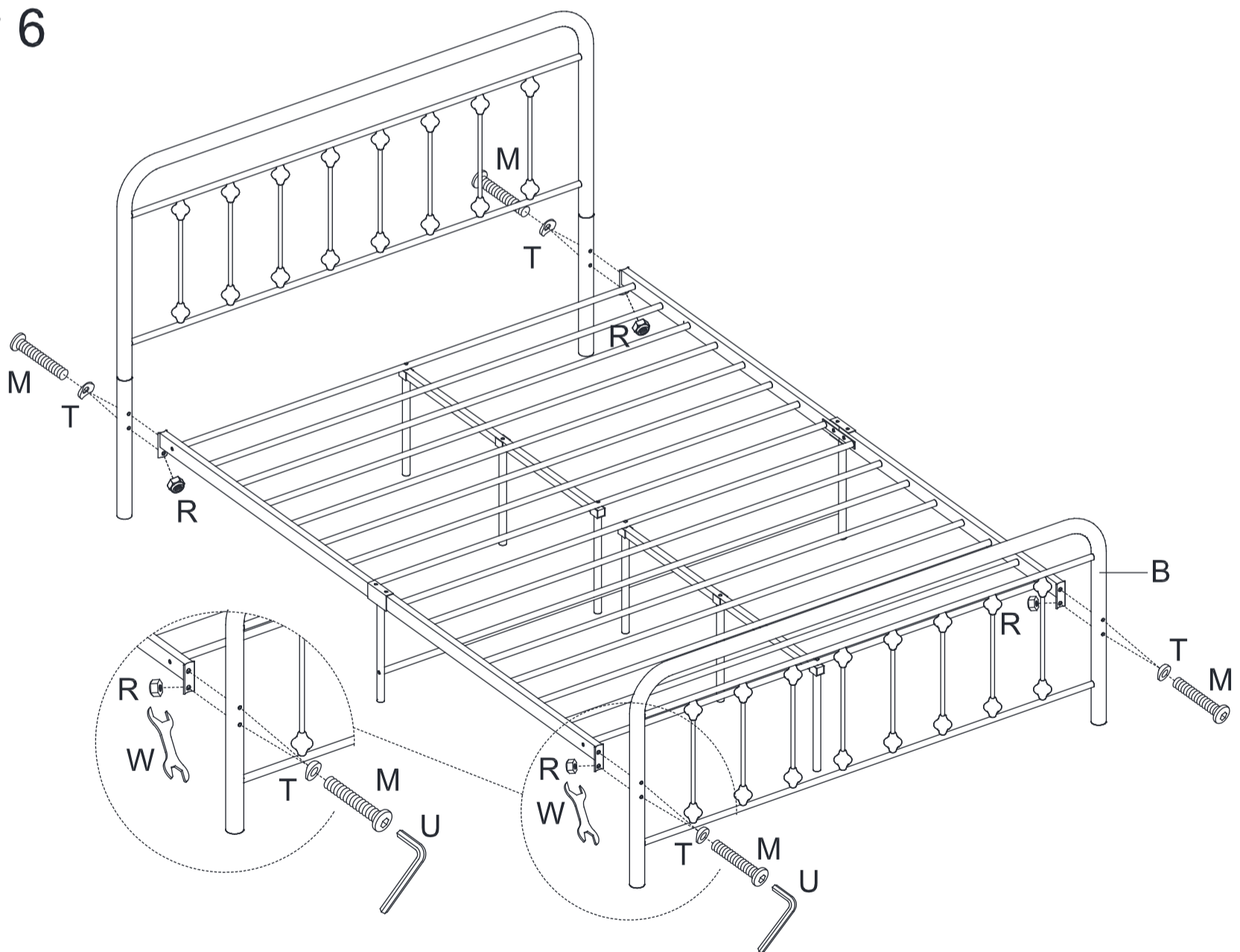
STEP 5



Attach K*6, I*2 to the bar F, bars G*2 and tighten them with bolts O*6. Attach J*1 to middle support legs (L) and tighten them with bolts O*2.

Note: When you find that you cannot align the holes accurately, please adjust the tightness of the screws.

STEP 6



Attach headboard (A+C), footboard B*1 to the assembled bed board with bolts M*8, washers T*8 and nut R*4, and then tighten them with Spanner W, Allen Key U.

NOW YOU CAN TIGHTEN ALL THE BOLTS.