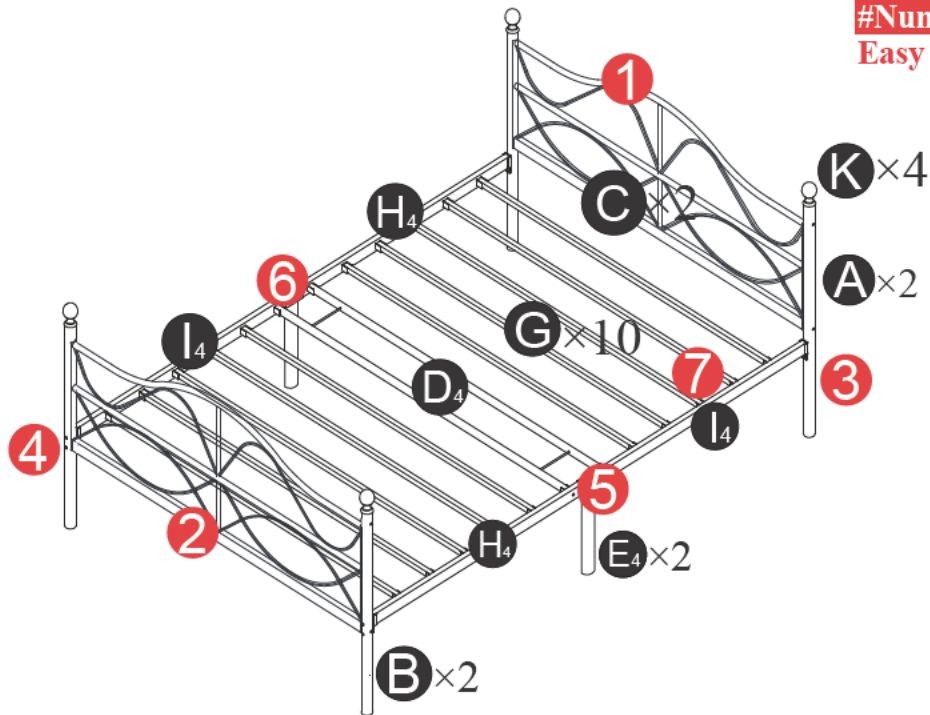


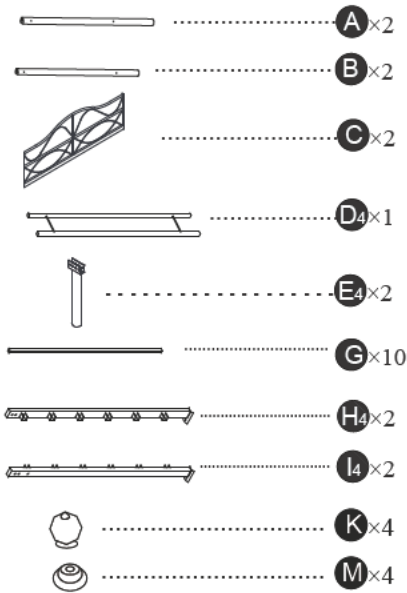
Twin Size Bed Frame Installation Manual

#Number System

Easy assembly by following 1,2,3...



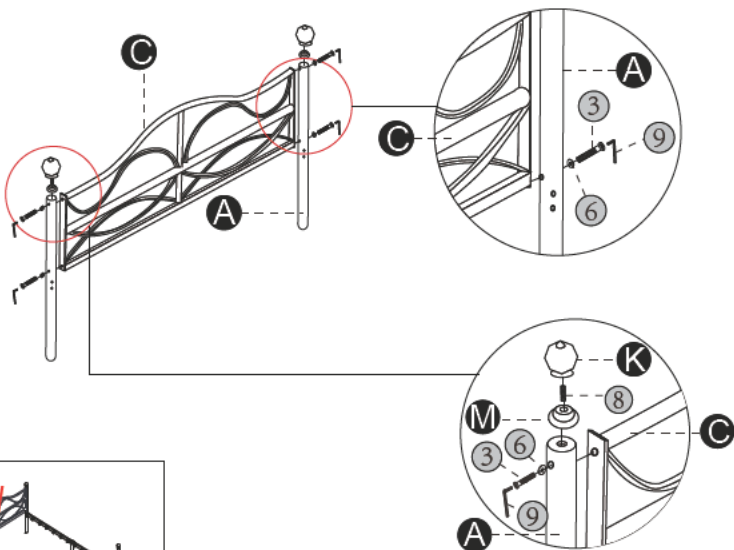
Components



Screws & Tools

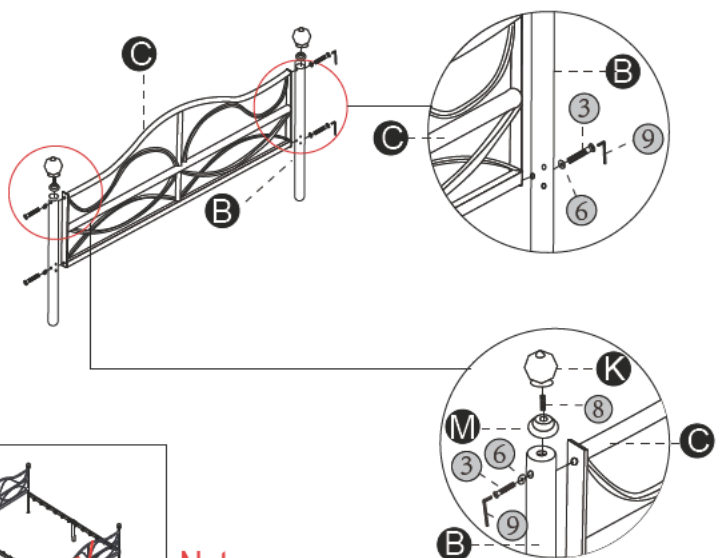
1		M8x50mm	x8
2		M8x35mm	x8
3		M6x60mm	x8
4		M6x40mm	x4
5		M6x15mm	x4
6		M8	x16
7		M8	x12
8		M6	x4
9		M5	x1
10		M13/M10	x1

1 Headboard assembly



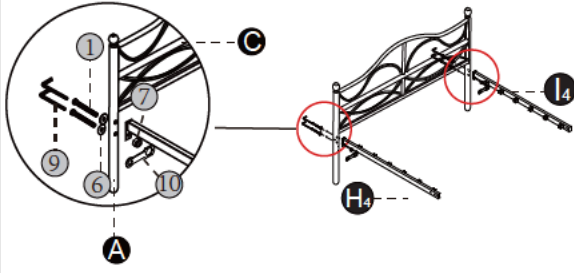
Note:
In this step, do not tighten screw ③

2 Footboard assembly

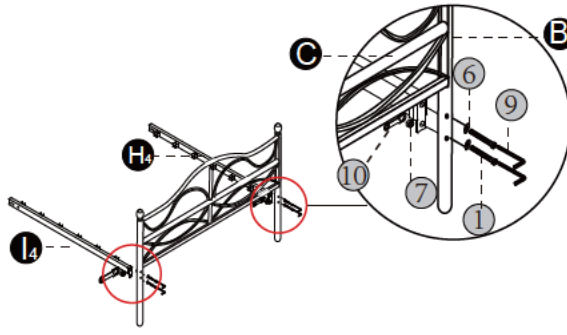


Note:
In this step, do not tighten screw ③

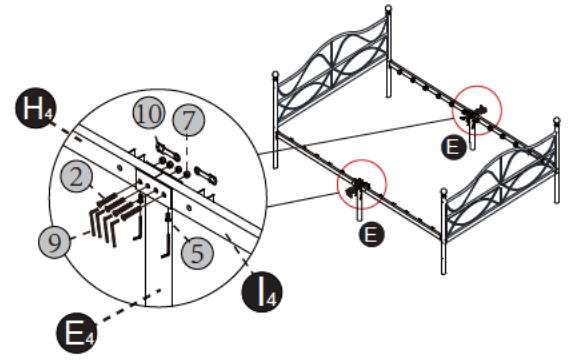
3 Connect **H₄** & **I₄** to headboard



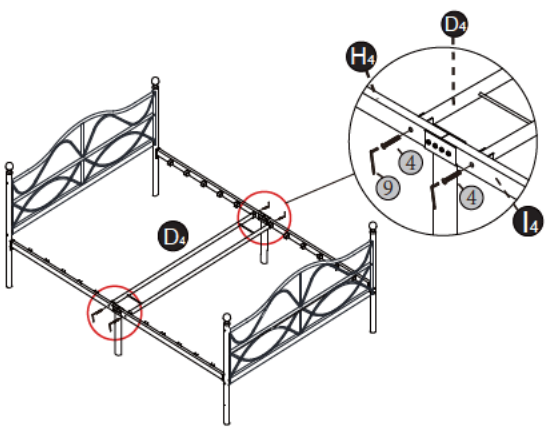
4 Connect **H₄** & **I₄** to footboard



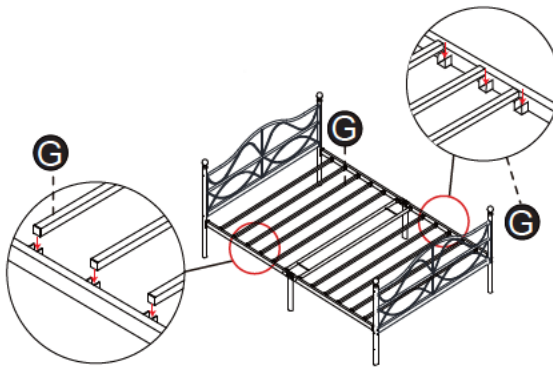
5 Connect **E₄** to **H₄** & **I₄**



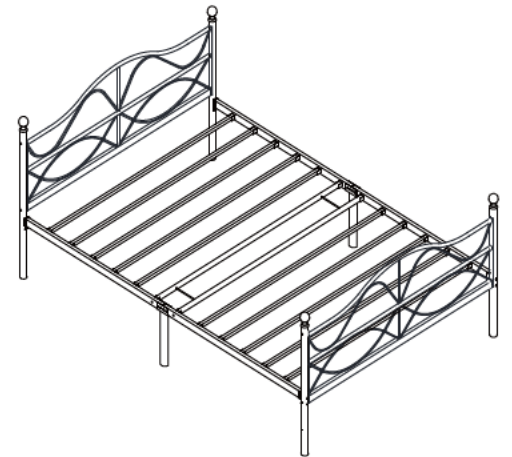
6 Connect **D₄** to **H₄** & **I₄**



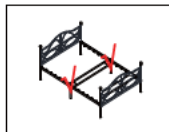
7 Assemble bed slats



8 Check and tighten all screws



Note:
In this step, do not tighten screw **4**



Note:
If the bed slats cannot be inserted easily,
loosen the screws (step **1 2 6**)

