

Outdoor chair

Product ID. Q7YH2



Scan for Support
support@garvee.com



Distributed by
GARVEE.com

SKU:

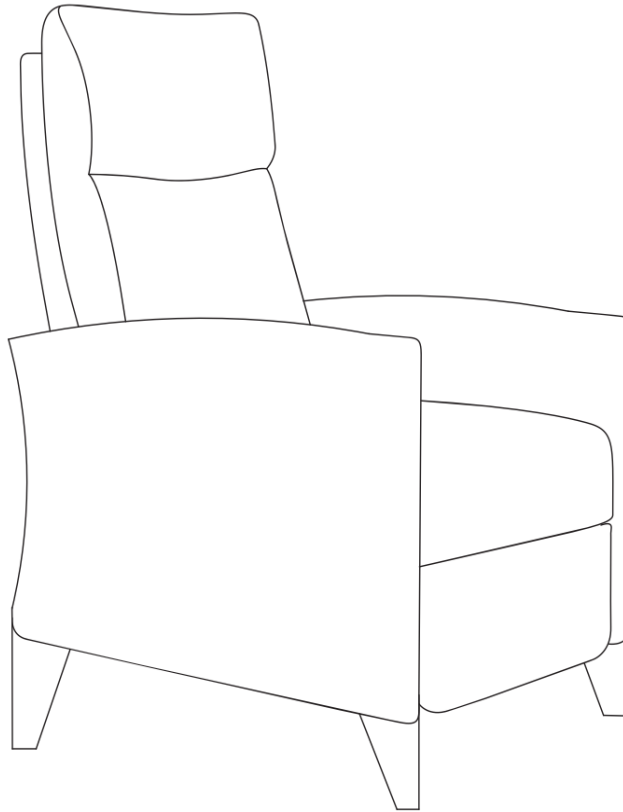
PPG_33UNVLKY / PPG_33UNYU3P / PPG_33UN34HB / PPG_33UN8C43/ PPG_33UN6Y8Y

Assembly Instruction

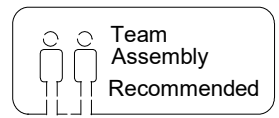
GARVEE

www.garvee.com

Distributed by Garvee



Scan for Support



Trouble shooting:

Missing / Wrong / Broken parts and installation issues



Send email with your question pic, order NO. to
support @garvee.com



Respond within 24 hours



Issue resolved

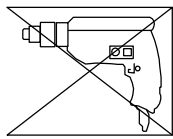
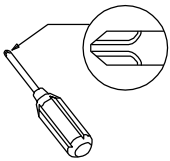
Tips!



1. Check all the components & screws are intact before assembling .
 2. If you notice any pieces are missing or damaged please do not assemble and contact us immediately .
 3. Please send an email with you order number and issues, we will respond within 24 hours.
- Customer Service Team: support @ jotoa.net

Tools required

A Phillips head screw driver is required for the assembly of this product. (not included)
Electric tool should not be used to assemble this product.



Two people are needed



IMPORTANT SAFETY INFORMATION

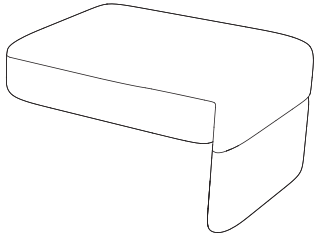
- Please carefully read the following instructions and caution warnings before assembling the product.
- Following this guide will ensure that you install, use and maintain the product properly.
- Please keep this installation and user manual/instructions for future reference in case you need to disassemble the product.
- Never allow children to climb onto the product. Ensure that you have special safety measures when children are around on their own.
- Be sure to check that all parts of the product are intact after you open the package.
- Do not assemble if you notice serious damage such as cracks or bends.
- During installation, please use work gloves for hand safety.
- Please assemble the unit on carpeted floor or the flat cardboard box to avoid scratching the surface or your floor while assembling on the floor.
- To assemble, please use the complimentary installation tools (Phillips screwdriver). Pay more attention to the direction of components at each steps.
- It is recommended that two people work together to assemble the product.

RETURN POLICY

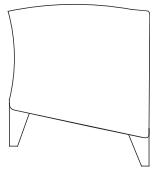
- Please contact us directly within 30 days after receiving.
- Ensure the product is in a good condition with the original box and all original certificates of purchase, manuals, and accessories attached.

ASSEMBLY INSTRUCTION

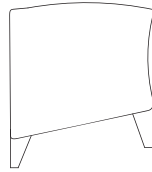
A



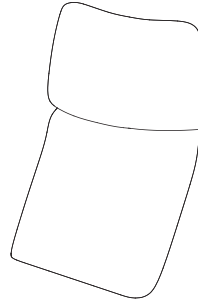
B¹



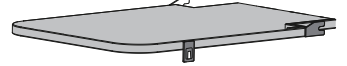
B²



C

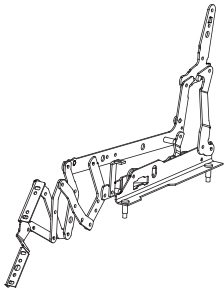


D



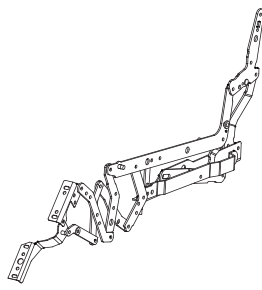
E¹

(Right)

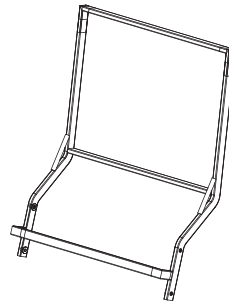


E²

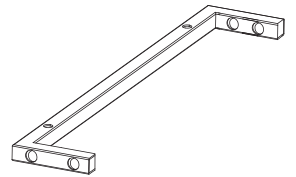
(Left)



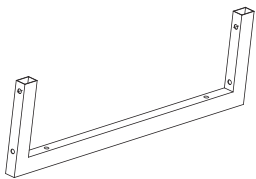
F



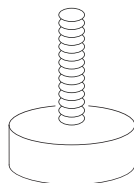
G



H

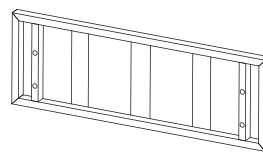


I

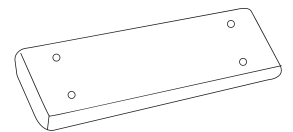


4x

J

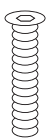


K



L¹

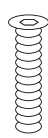
M6*45mm



5x

L²

M6*35mm



9x

L³

M6*15mm



9x

L⁴

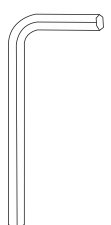
M6φ14mm



21x

M¹

M6



WARNING

Renewed Warning:

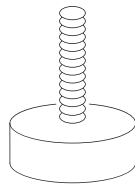
Please wear gloves before assembly. Do not tighten the screws during assembly. Tighten all parts fully after the assembly is complete.

Check all the components & screws before assembly. Do not install in case part is missing, contact us to get!

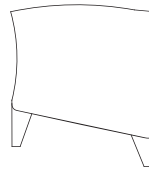
Send email with your question to support@garvee.com We will resend within 24 hours

STEP 1

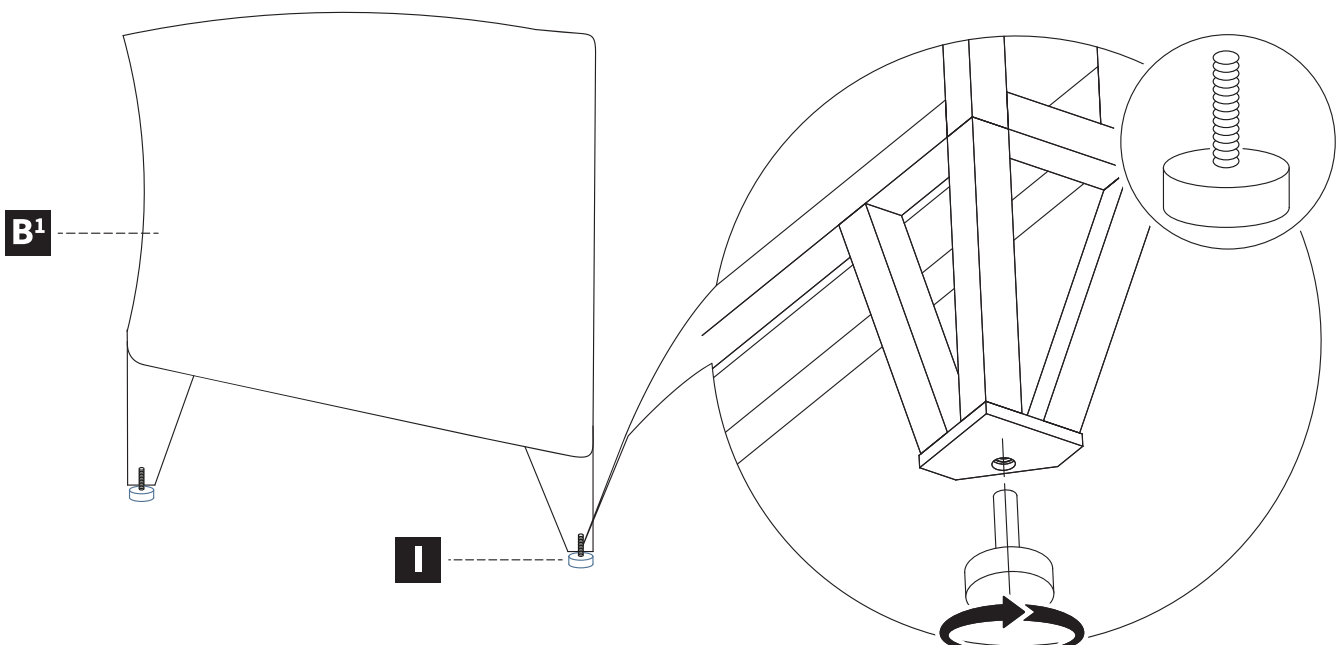
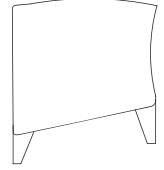
I
4x



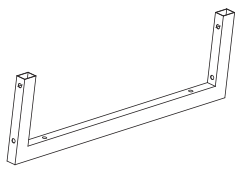
B¹



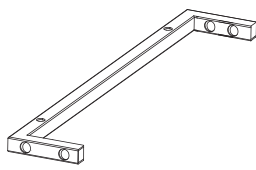
B²



STEP 2

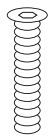


H



G

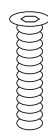
M6*45mm



L¹

4x

M6*35mm



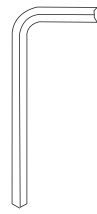
L²

4x

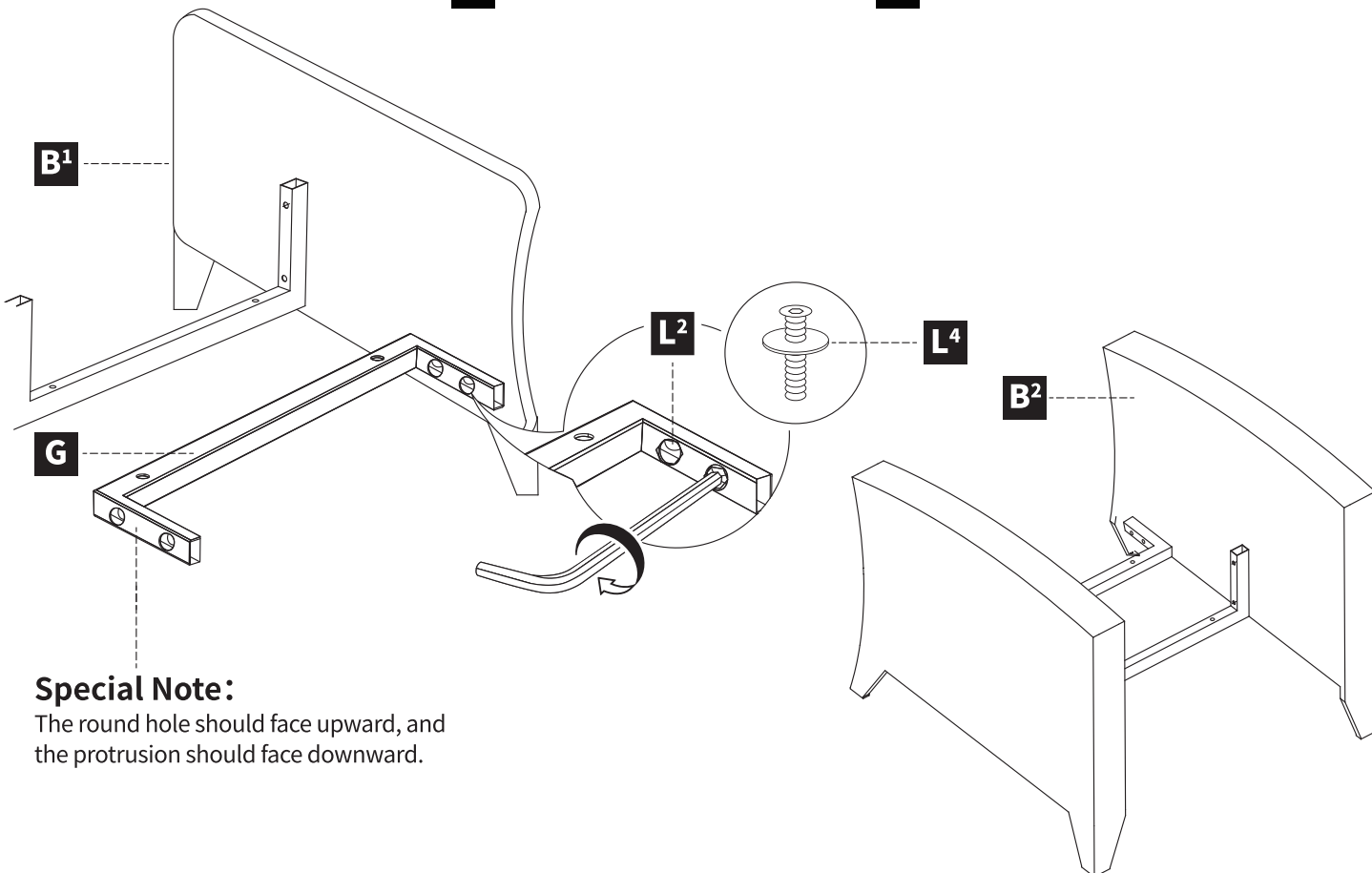
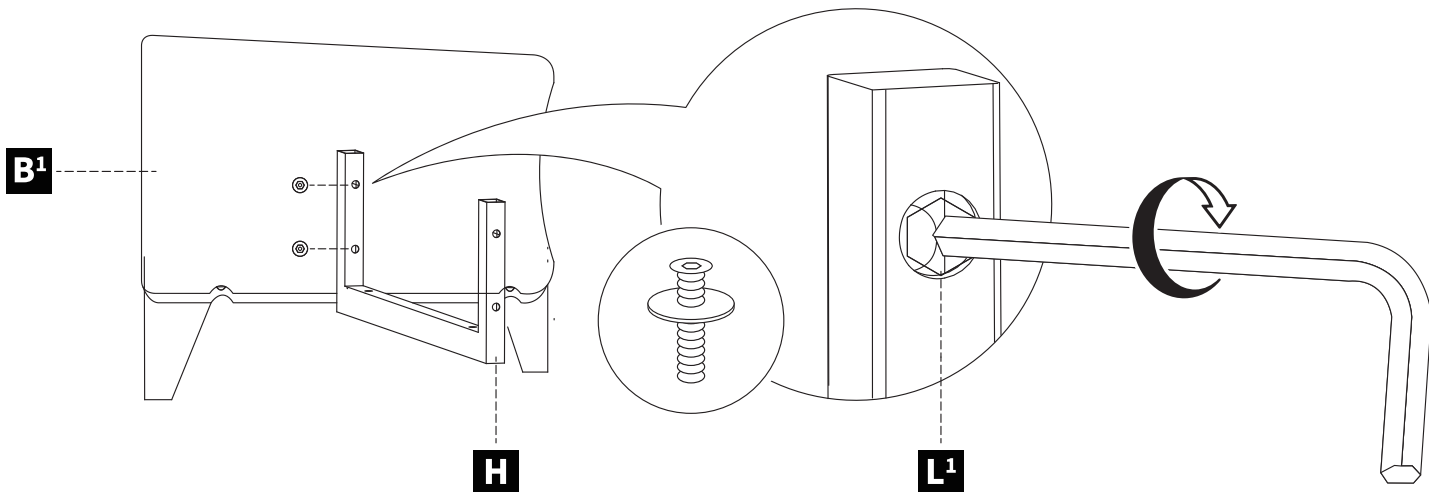


L⁴

8x



M¹

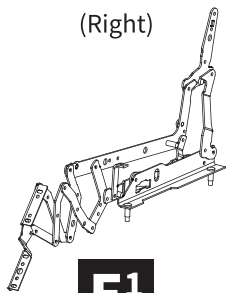


Special Note:

The round hole should face upward, and the protrusion should face downward.

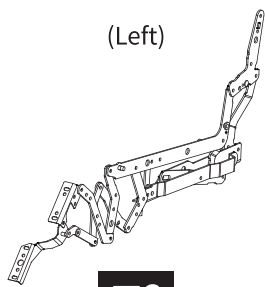
STEP 3

(Right)



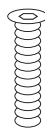
E¹

(Left)



E²

M6*35mm



L²

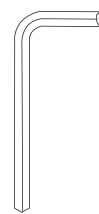
4x

M6φ14mm

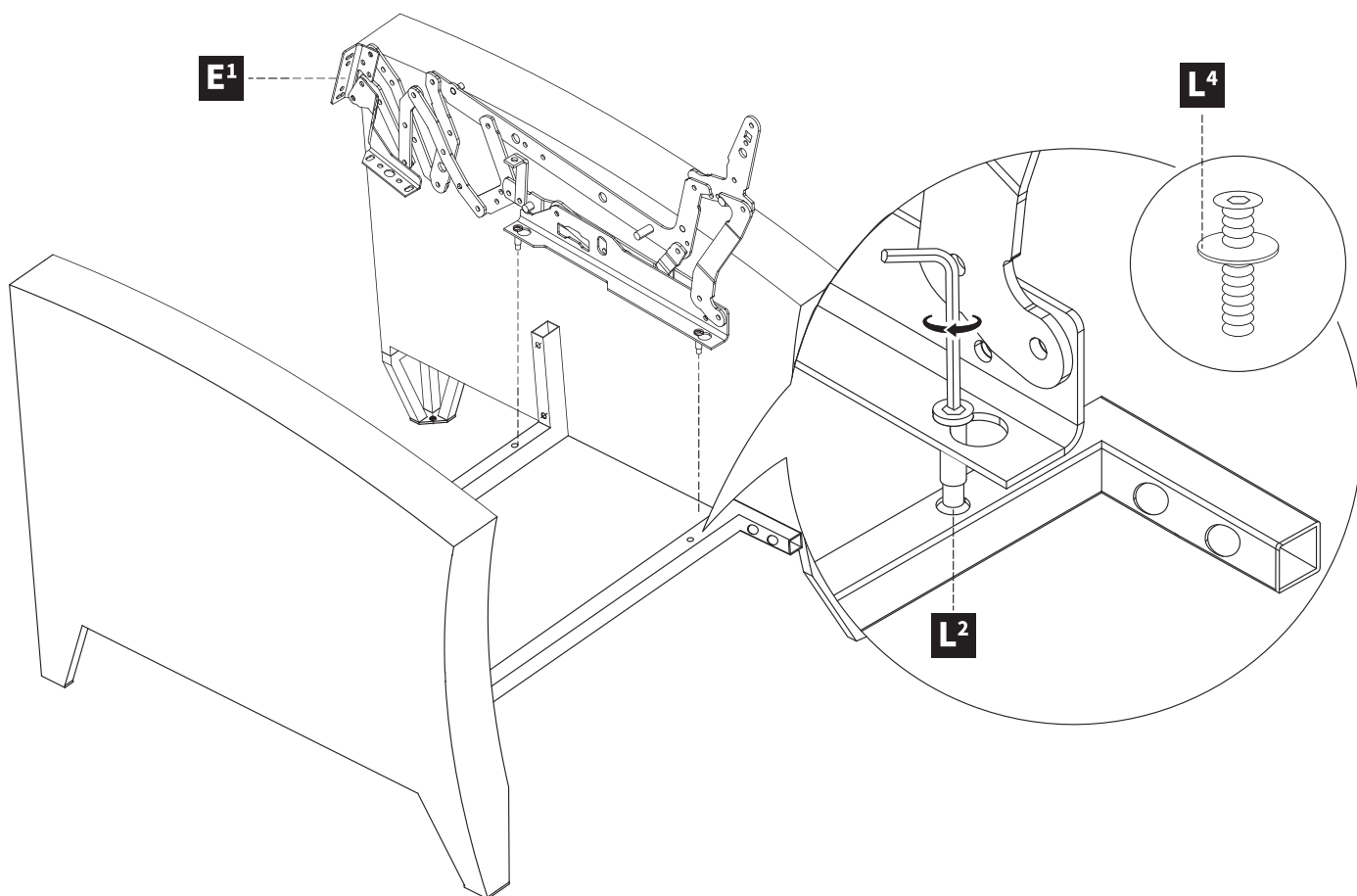


L⁴

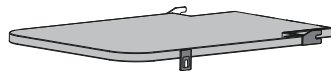
4x



M¹

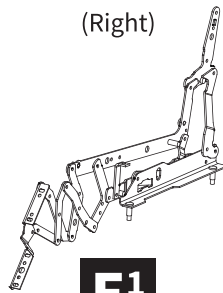


STEP 4



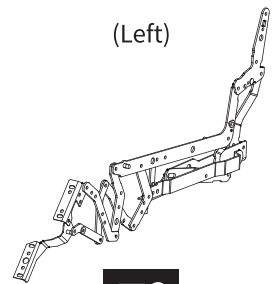
D

(Right)

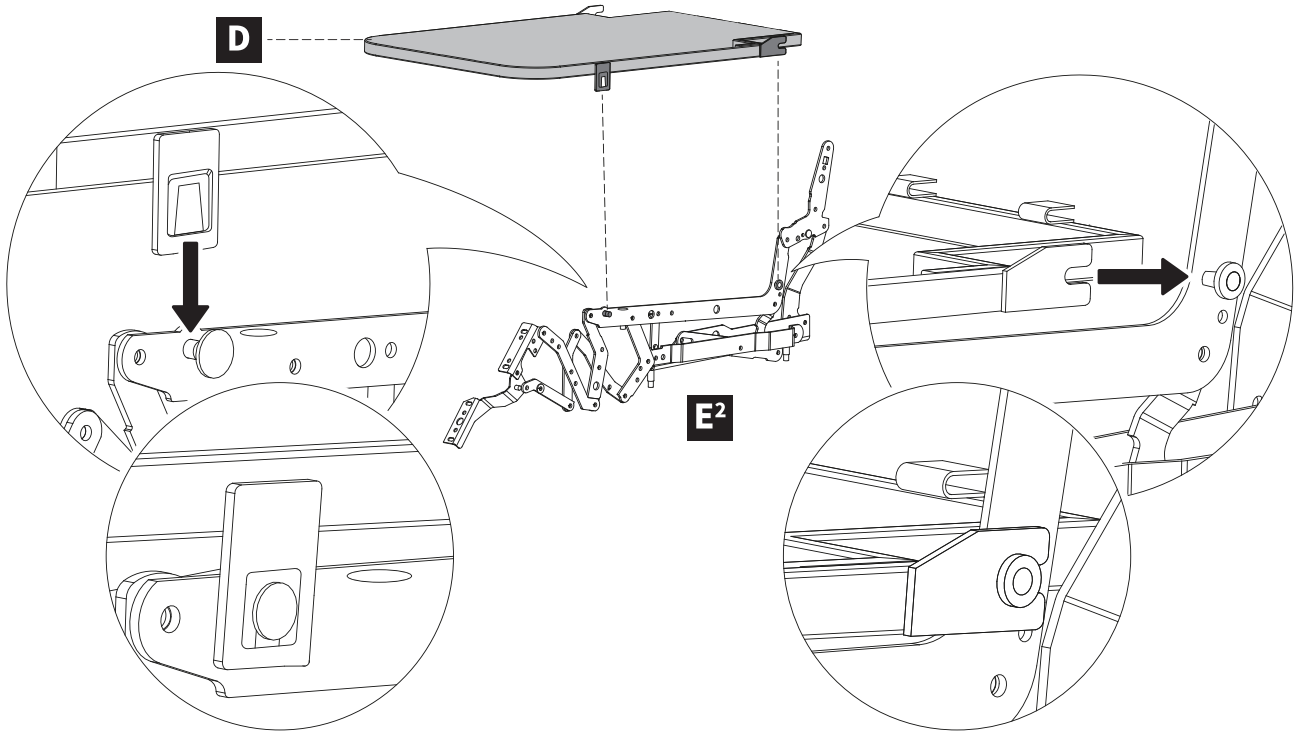


E1

(Left)

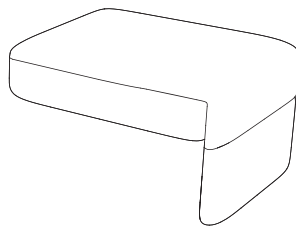


E2

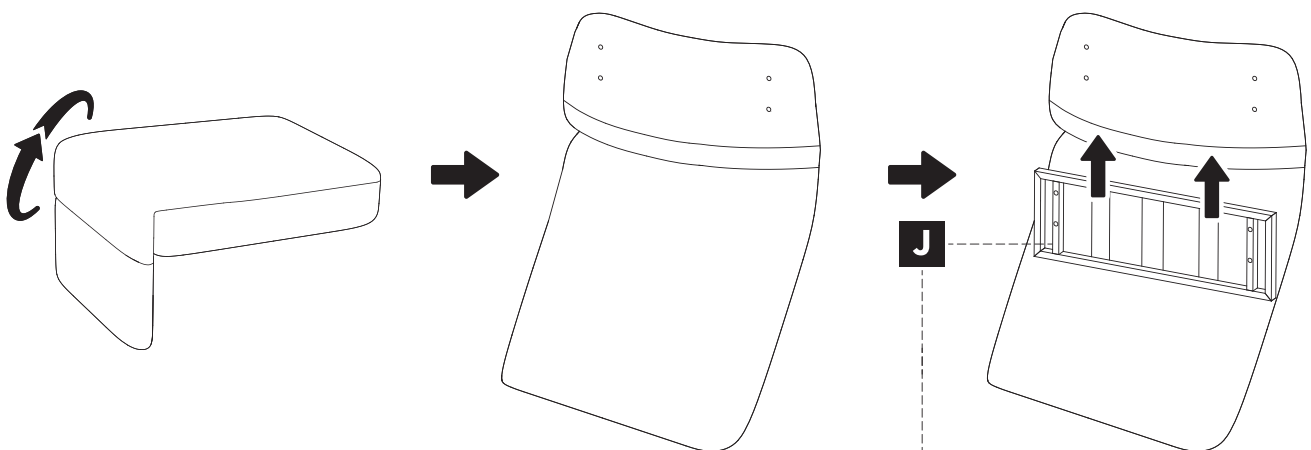
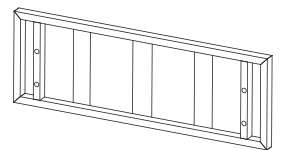


STEP 5

A



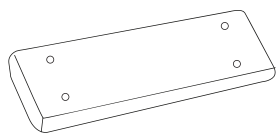
J



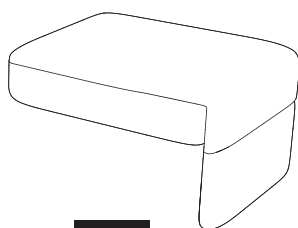
Special Note:

Place the shorter hole spacing facing upwards.

STEP 6



K



A

M6*15mm



L³

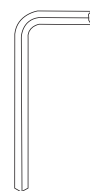
8x

M6φ14mm

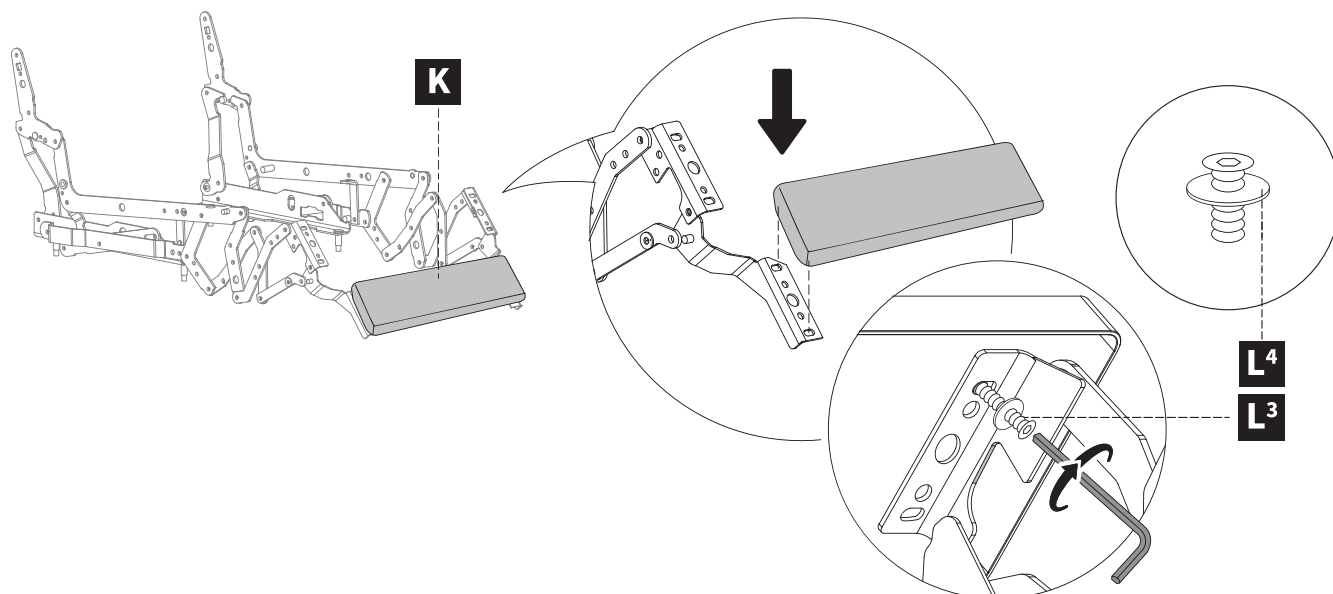
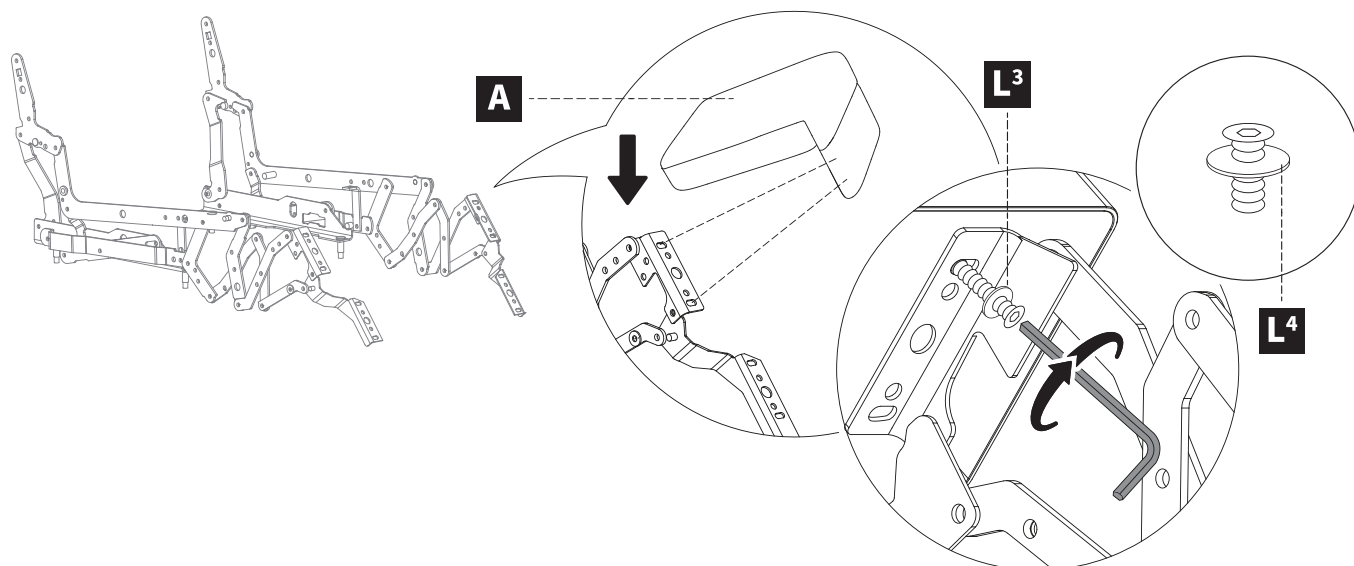


L⁴

8x

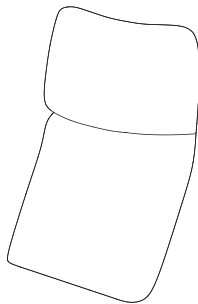


M¹

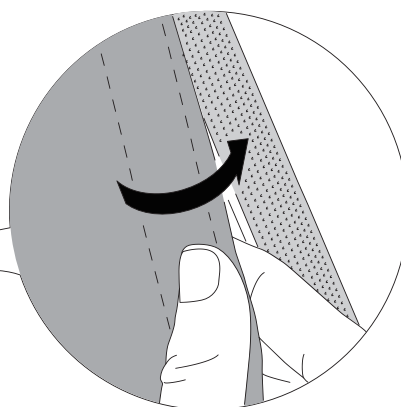
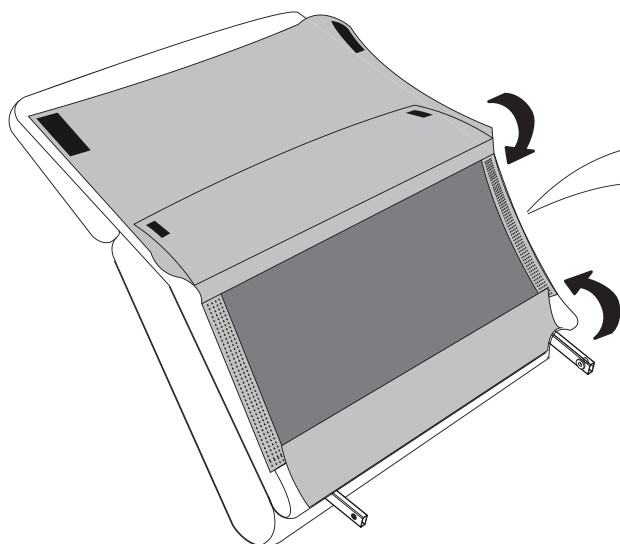
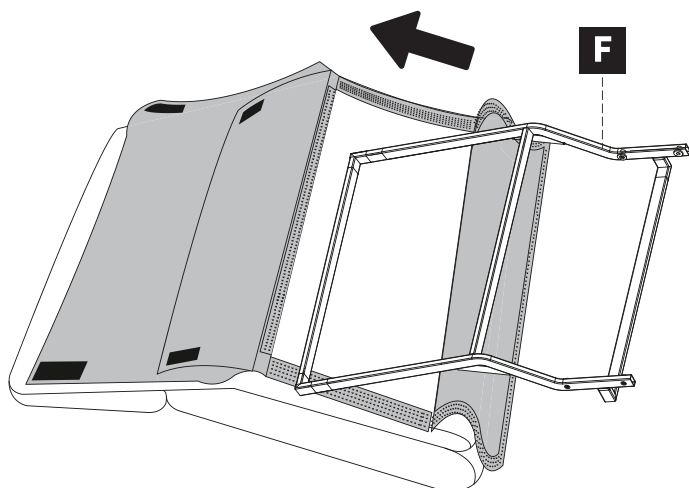
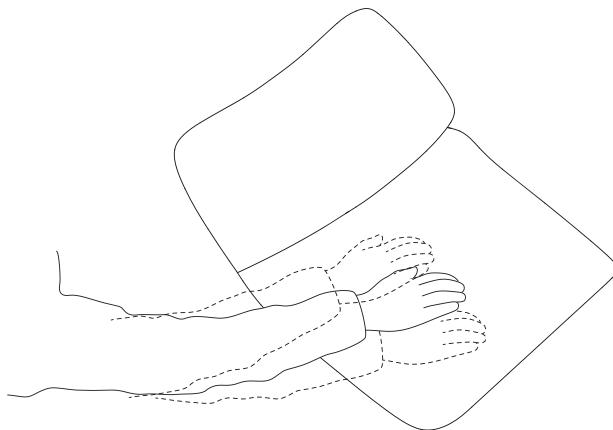
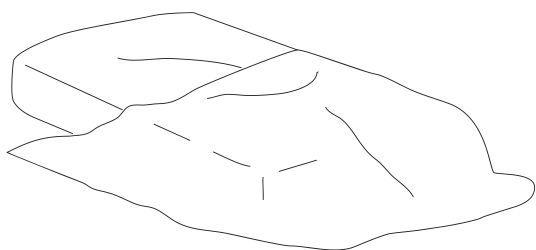
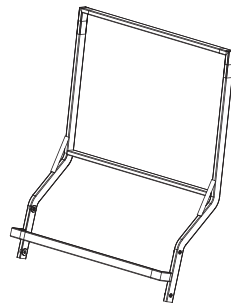


STEP 7

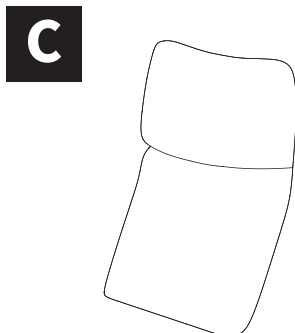
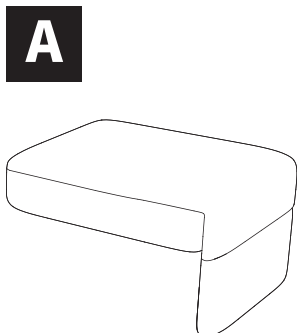
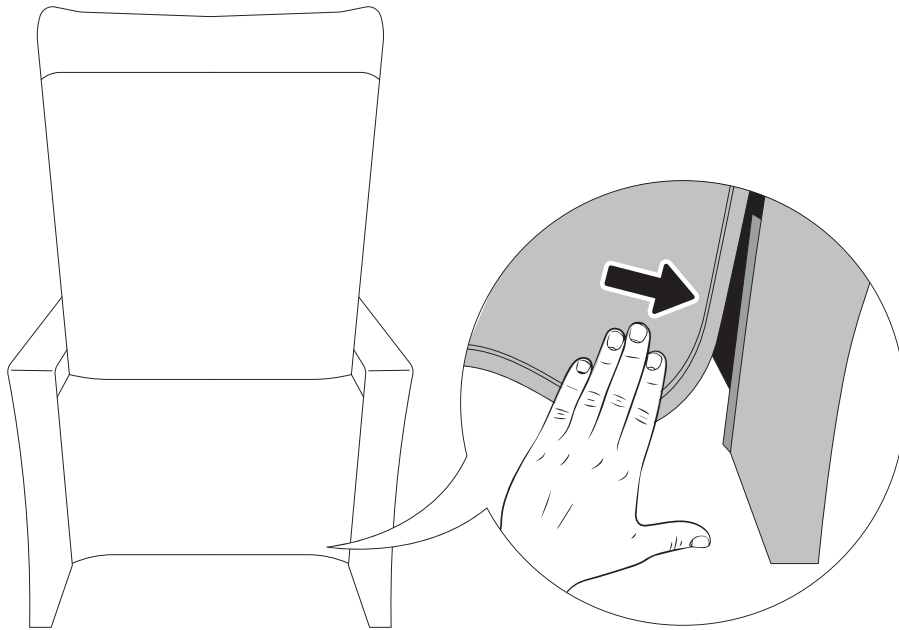
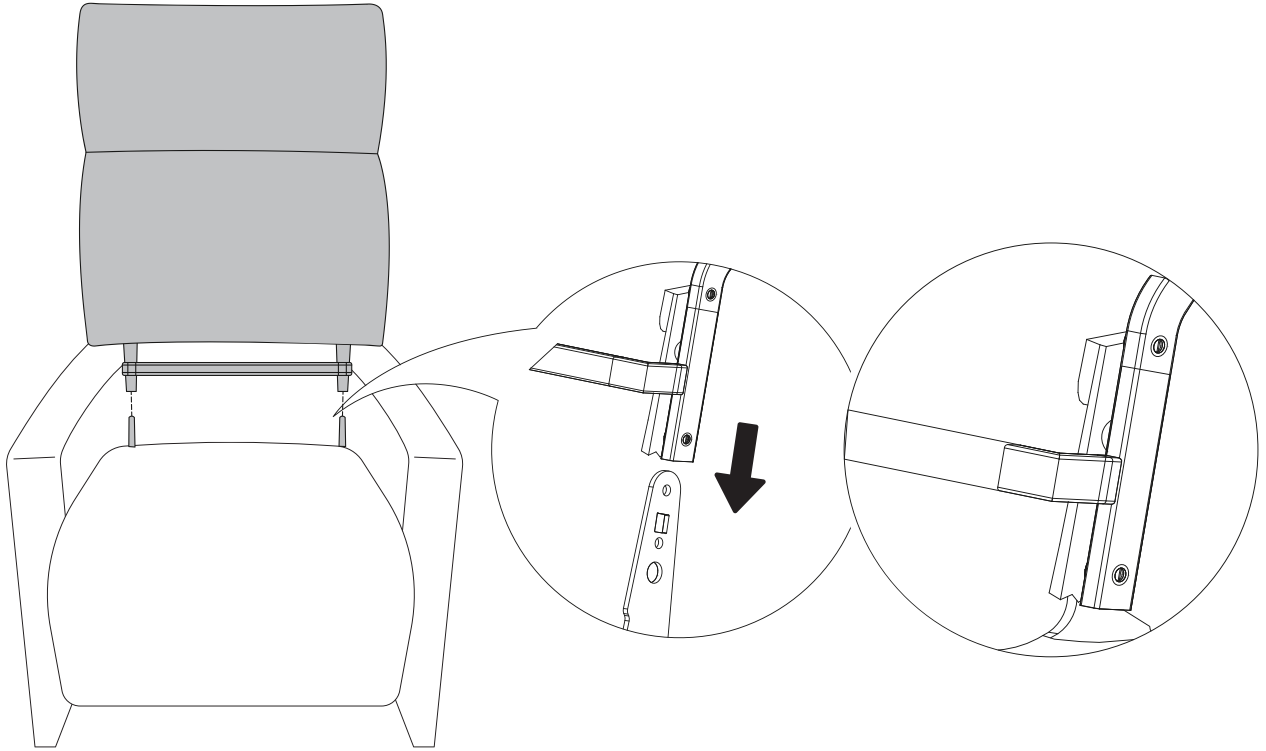
C



F



STEP 8



100% POLYESTER



Maximum washing temperature 30°C
Gentle dry clean only
Do not bleach
Lay flat to dry in the shade
Do not iron

IMPORTANT SAFETY INFORMATION

Please carefully read the instructions and caution warnings below before assembling the product. Following this guide will ensure that you will use and maintain the product properly.

- Please keep this installation and user manual instructions for future reference in case you need to assemble the product.
- Do not assemble if you notice serious damage such as cracks or bends.
- During installation, please use work gloves for hand safety.
- Please assemble the unit on carpeted floor or the flat cardboard box to avoid scratching the surface or your floor while assembling on the floor.
- To assemble, please use the complimentary installation tools (Allen Wrench). Pay more attention to the direction of components at each step.
- It is recommended that two people work together to assemble the product.
- Please do not tighten the screws too much, just to 80% before you finish to make the installation.

RETURN POLICY

We believe you will absolutely love your new product. But for some reason you want to return your item, please contact us within 30 days after receiving and ensure that the product which you want to return is in a good condition in the original box with all original certificates of purchase, manuals and accessories attached.

HOW TO MAINTAIN YOUR PRODUCT:

Check the screws of the product are not loose from regular use.

Do not use sharp instruments, rubbing alcohol, corrosive chemicals, or abrasive cleaners to clean the product.

Do not keep the product in a damp environment for a long period of time. The damp environment may cause the iron components to rust and the plates to bulge and crack.

How to find us ?

Customer Service

Email: support@garvee.com