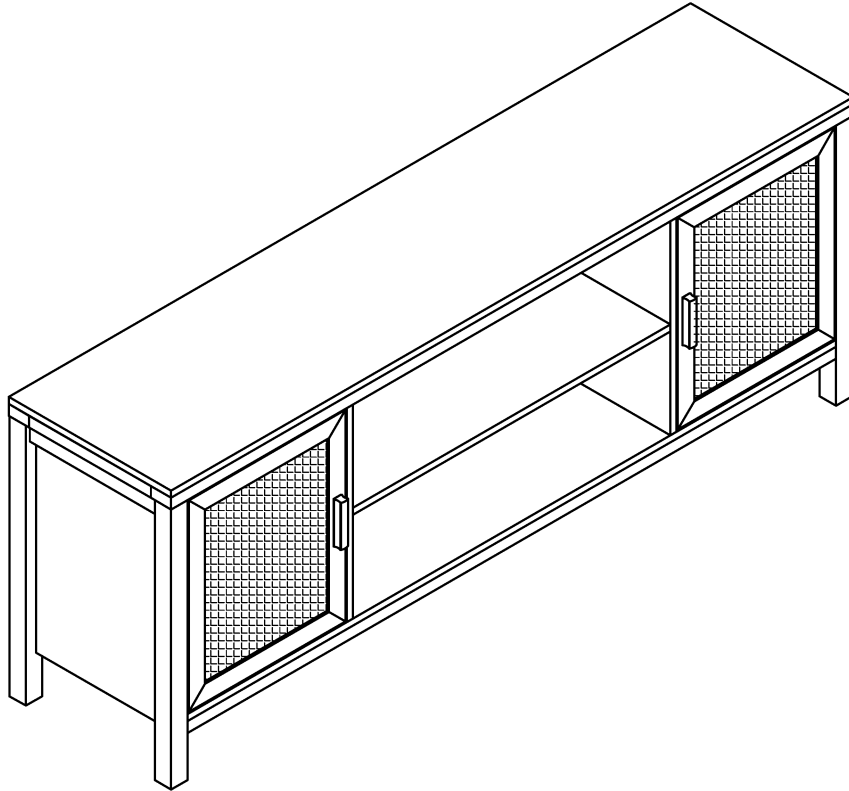


Assembly Instruction



Trouble shooting:

Missing / Wrong / Broken parts and installation issues



Send email with your question, pic and order number.



Respond within 24 hours

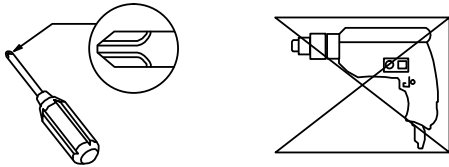


Issue resolved

YOU NEED

1. Tools required

A Phillips head screw driver is required for the assembly of this product, (not included) Electric tool should not be used to assemble this product.



2. Two people are needed



Tips!



1. Check all the components & screws are intact before assembling .
2. If you notice any pieces are missing or damaged please do not assemble and contact us immediately .
3. Please send an email with your order number and issues, we will respond within 24 hours. Customer Service Team

IMPORTANT SAFETY INFORMATION

. Please carefully read the following instructions and caution warnings before assembling the product.

. Following this guide will ensure that you install, use and maintain the product properly.

. Please keep this installation and user manual/instructions for future reference in case you need to disassemble the product.

. Never allow children to climb onto the product. Ensure that you have special safety measures when children are around on their own.

. Be sure to check that all parts of the product are intact after you open the package.

. Do not assemble if you notice serious damage such as cracks or bends.

. During installation, please use work gloves for hand safety.

. Please assemble the unit on carpeted floor or the flat cardboard box to avoid scratching the surface or your floor while assembling on the floor.

. To assemble, please use the complimentary installation tools (Phillips screwdriver). Pay more attention to the direction of components at each step.

. It is recommended that two people work together to assemble the product.

RETURN POLICY

. Please contact us directly within 30 days after receiving.

. Ensure the product is in a good condition with the original box and all original certificates of purchase, manuals, and accessories attached.

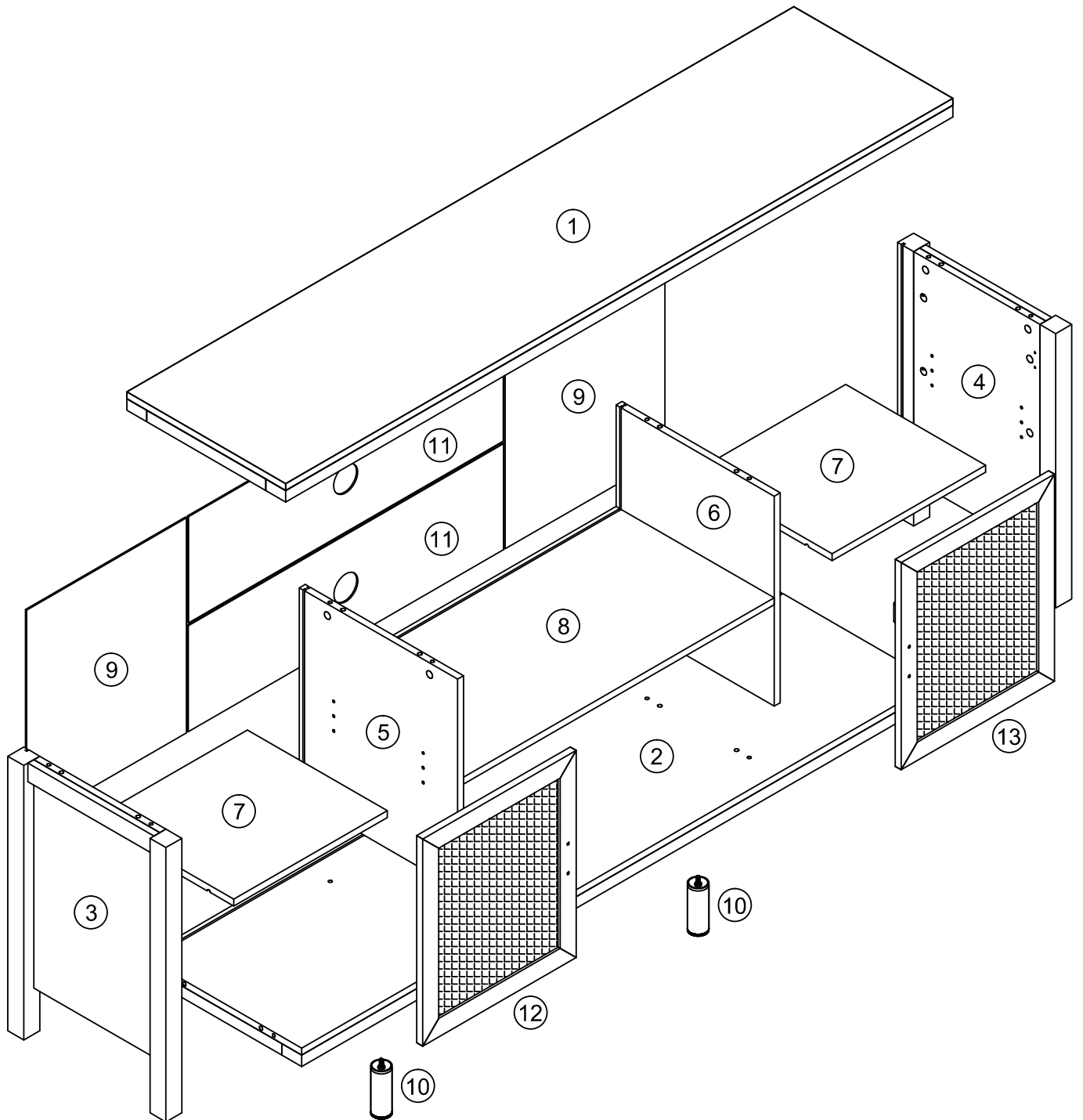
How to maintain your product

. Check the screws of the product are not loose from regular use.:

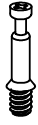



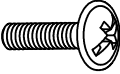


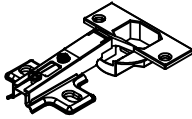
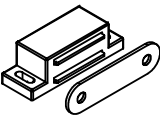


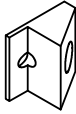


. Do not use sharp instruments, rubbing alcohol, corrosive chemicals, or abrasive cleaners to clean the item.

COMPONENTS ID Nr.

Part Nr.	QTY	Part Nr.	QTY	Part Nr.	QTY
1	1 PCS	2	1 PCS	3	1 PCS
4	1 PCS	5	1 PCS	6	1 PCS
7	2 PCS	8	1 PCS	9	2 PCS
10	2 PCS	11	2 PCS	12	1 PCS
13	1 PCS				

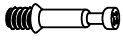



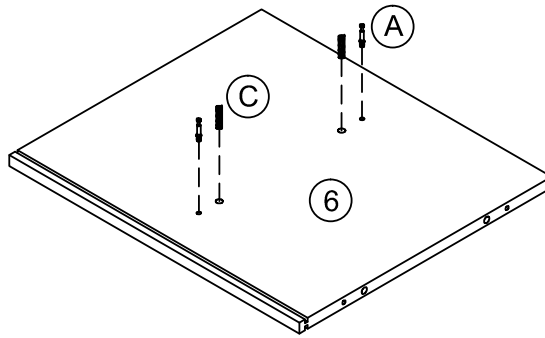
HARDWARE LIST

<p>Ax16+1</p>  <p>M6 x 35mm</p>	<p>Bx16+1</p>  <p>Ø15 x 11mm</p>	<p>Cx20+2</p>  <p>ø8 x 30mm</p>	<p>Dx4</p>  <p>M6 x 48mm</p>	<p>Ex4</p>  <p>M4 x 16mm</p>
<p>Fx2</p>  <p>99*19*20mm</p>	<p>Gx8</p>  <p>Ø5*19</p>	<p>Hx4</p>  <p>Ø26</p>	<p>Ix2</p>  <p>45*17*14mm 45*12*1.5mm</p>	<p>Jx20+2</p>  <p>Ø3.5 x 14mm</p>
<p>Kx4</p>  <p>M4 x 18mm</p>	<p>Lx12+1</p>  <p>15*15*10mm</p>	<p>Mx12+1</p>  <p>M3 x 16mm</p>	<p>Nx1</p>  <p>M4</p>	


PRODUCT ASSEMBLY

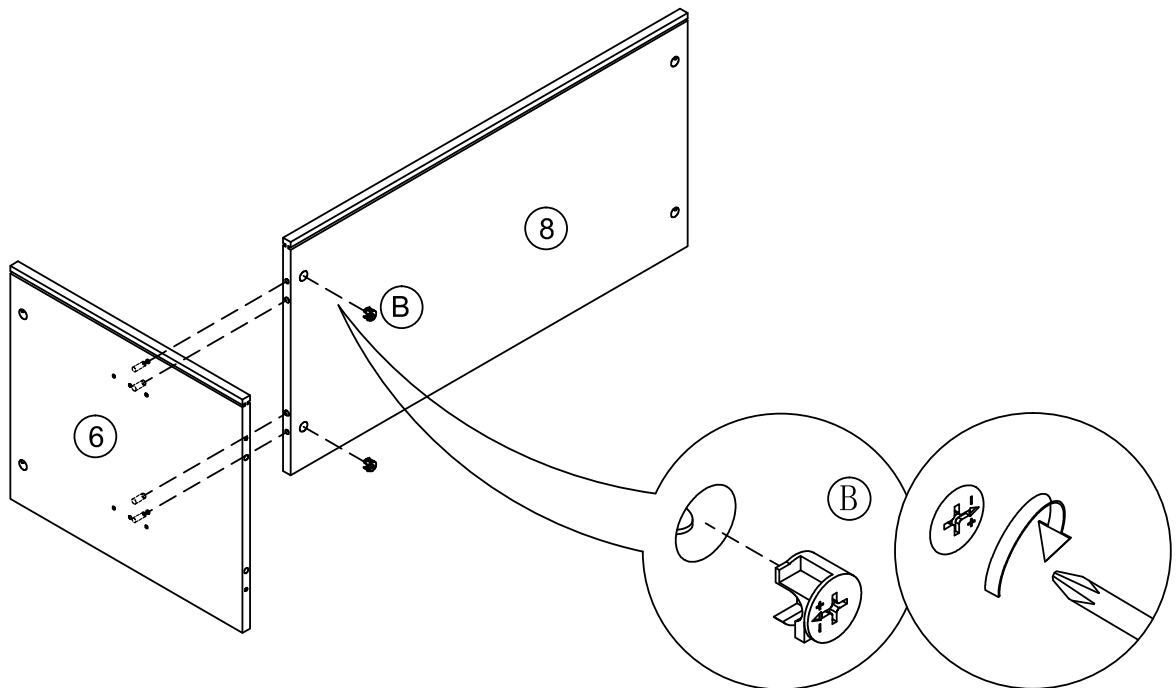
1

M6 x 35mm  Ax2	$\phi 8 \times 30\text{mm}$  Cx2		
---	---	--	--



2

$\phi 15 \times 11\text{mm}$  Bx2			
--	--	--	--



PRODUCT ASSEMBLY

3

M6 x 35mm

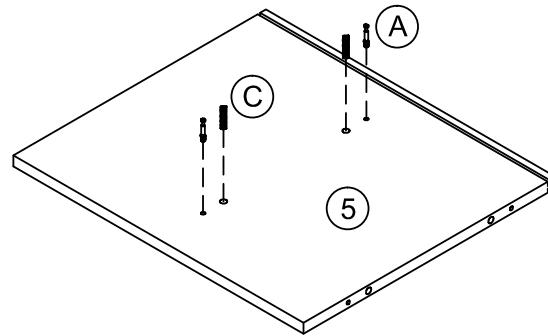


Ax2

∅8 x 30mm



Cx2

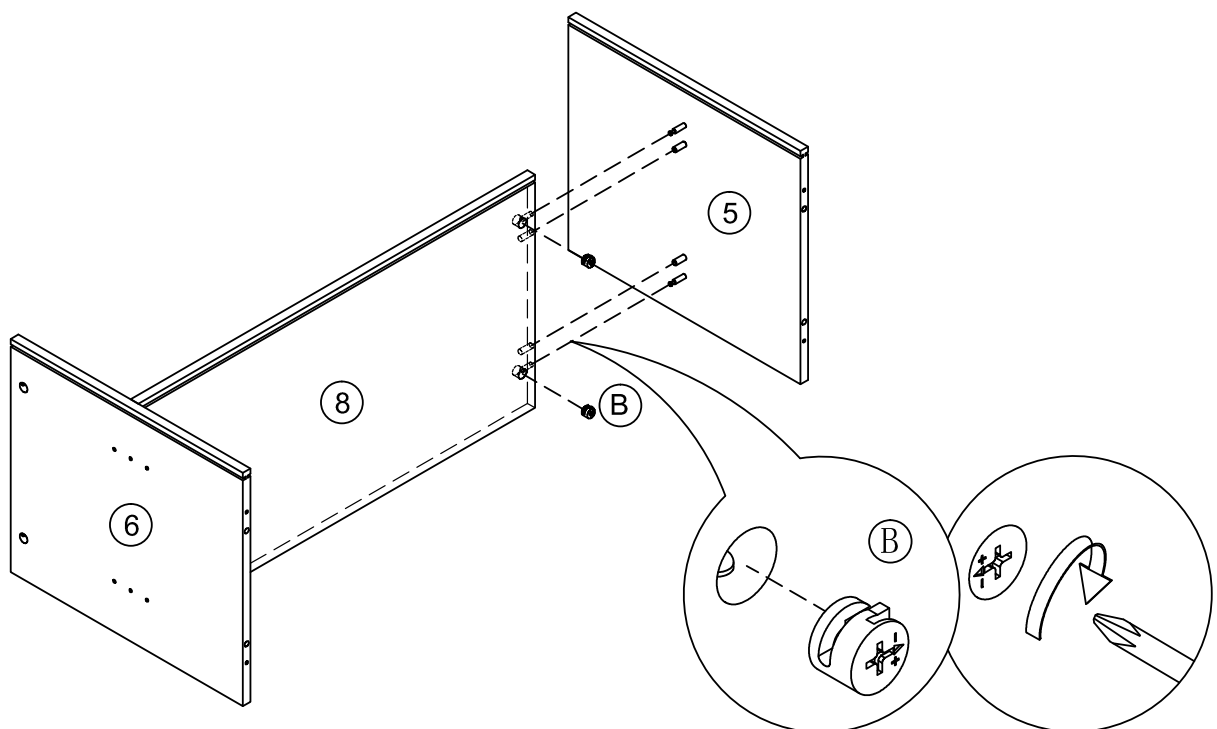


4

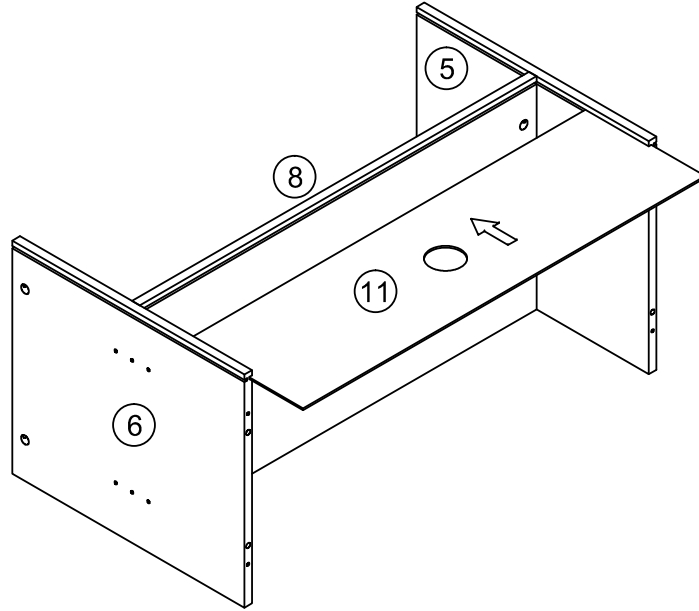
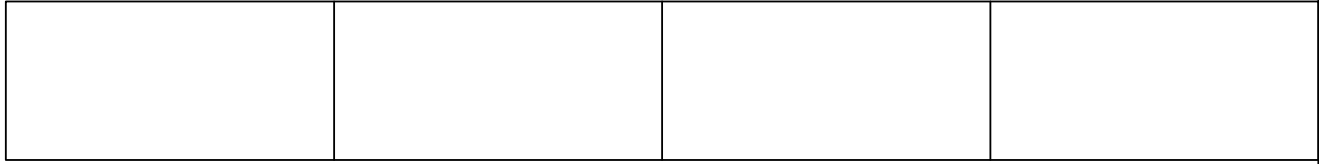
∅15 x 11mm



Bx2



5

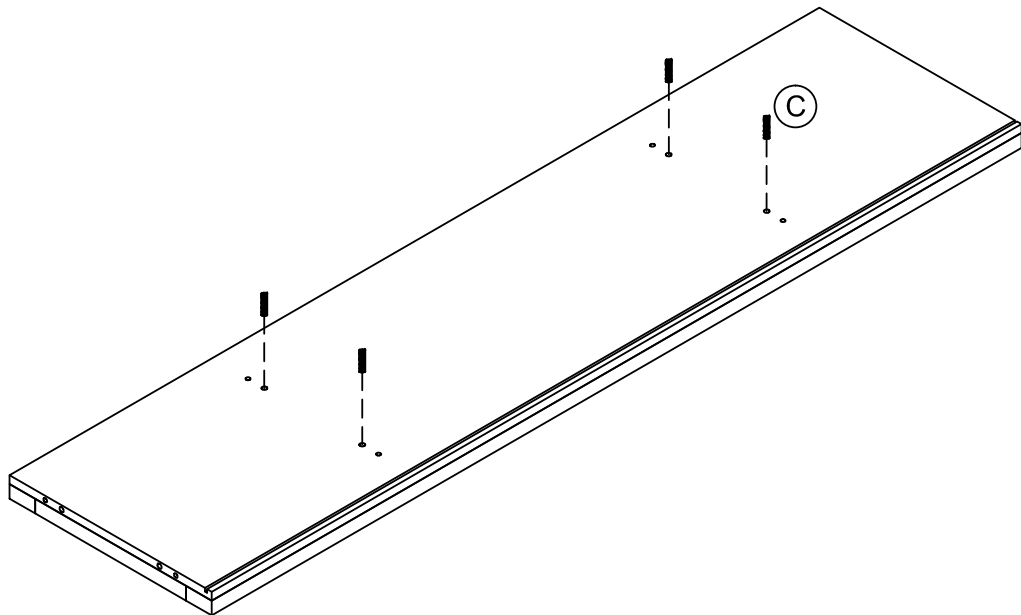
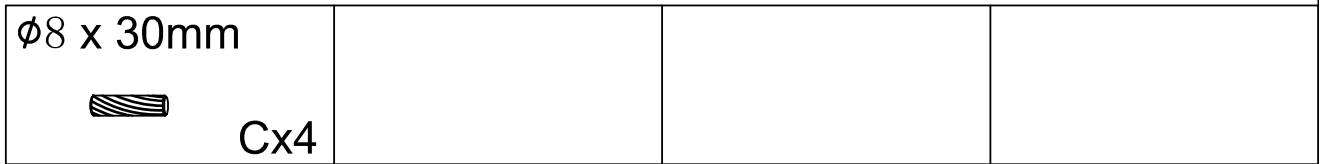


6

φ8 x 30mm



Cx4



PRODUCT ASSEMBLY

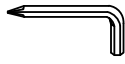
7

M6 x 48mm

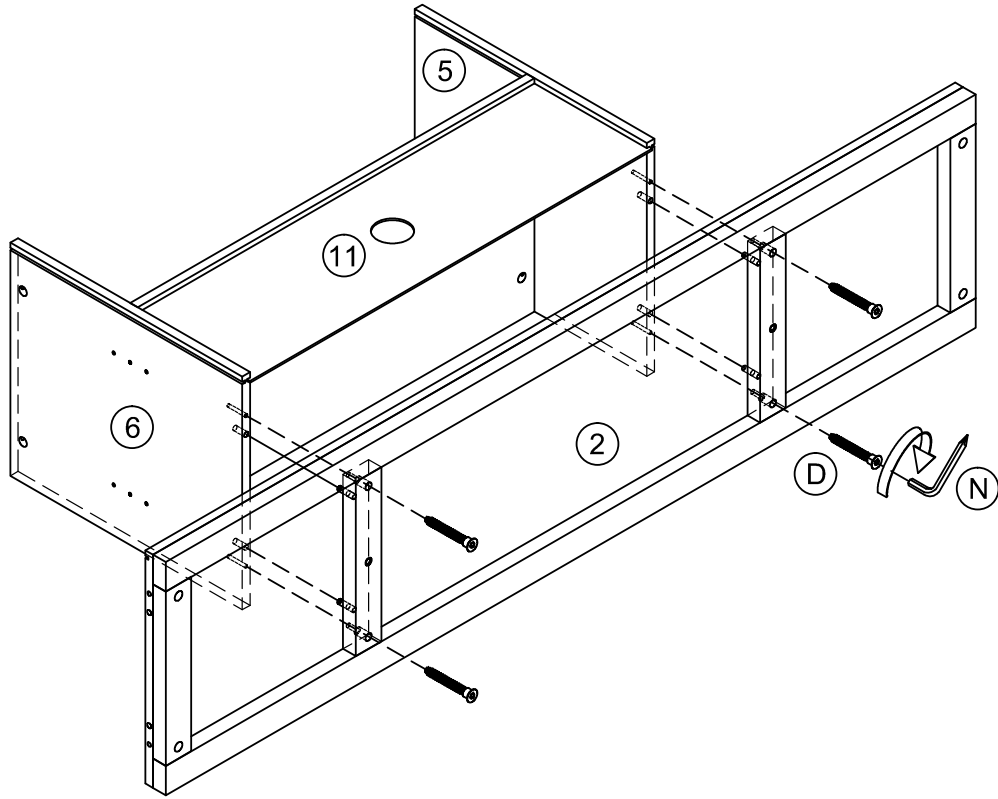


Dx4

M4

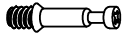


Nx1



8

M6 x 35mm

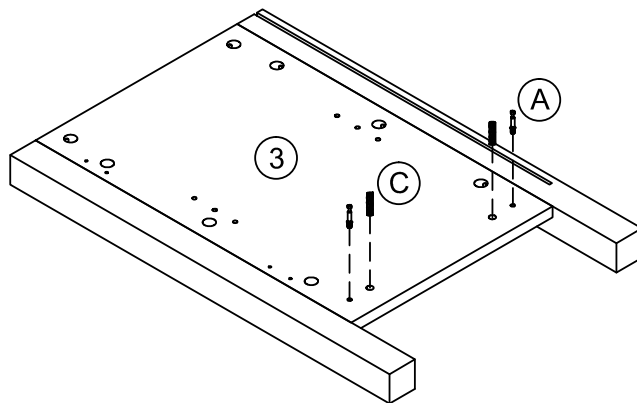


Ax2

∅8 x 30mm

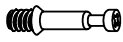


Cx2



9

M6 x 35mm

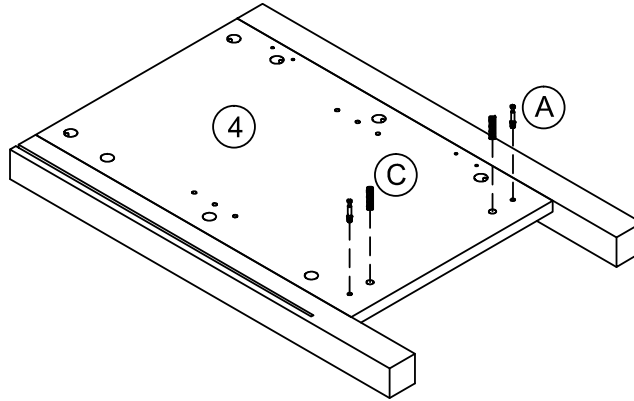


Ax2

∅8 x 30mm



Cx2

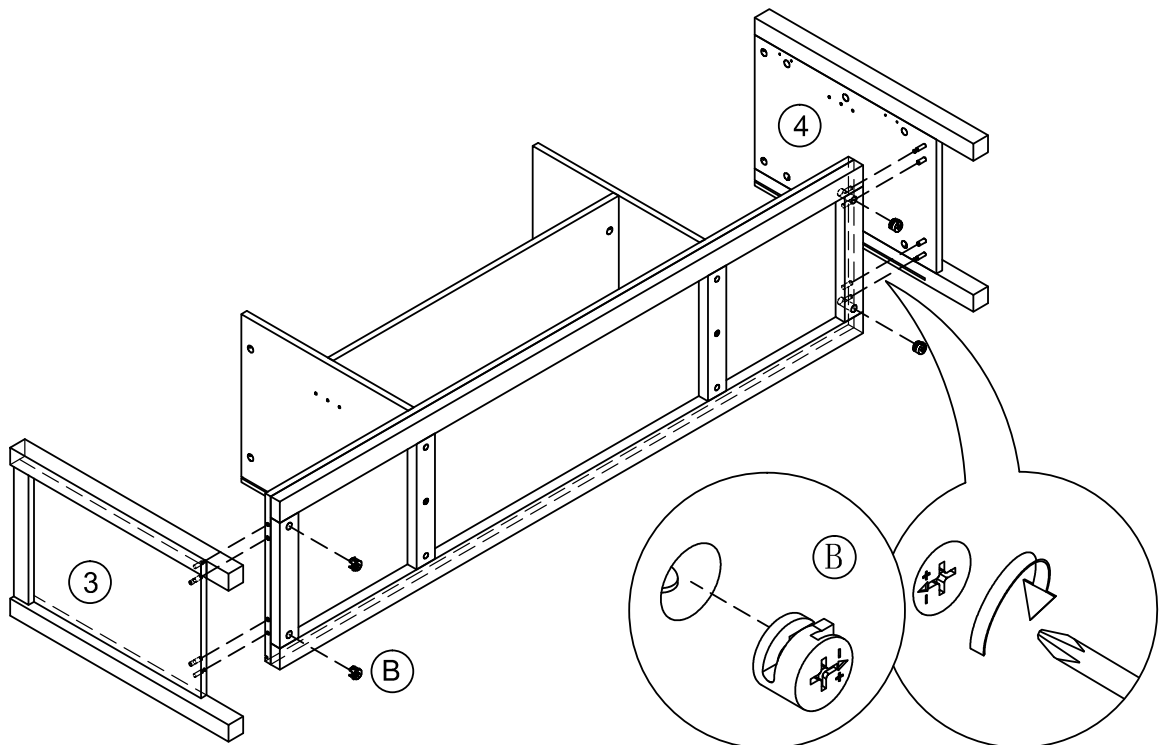


10

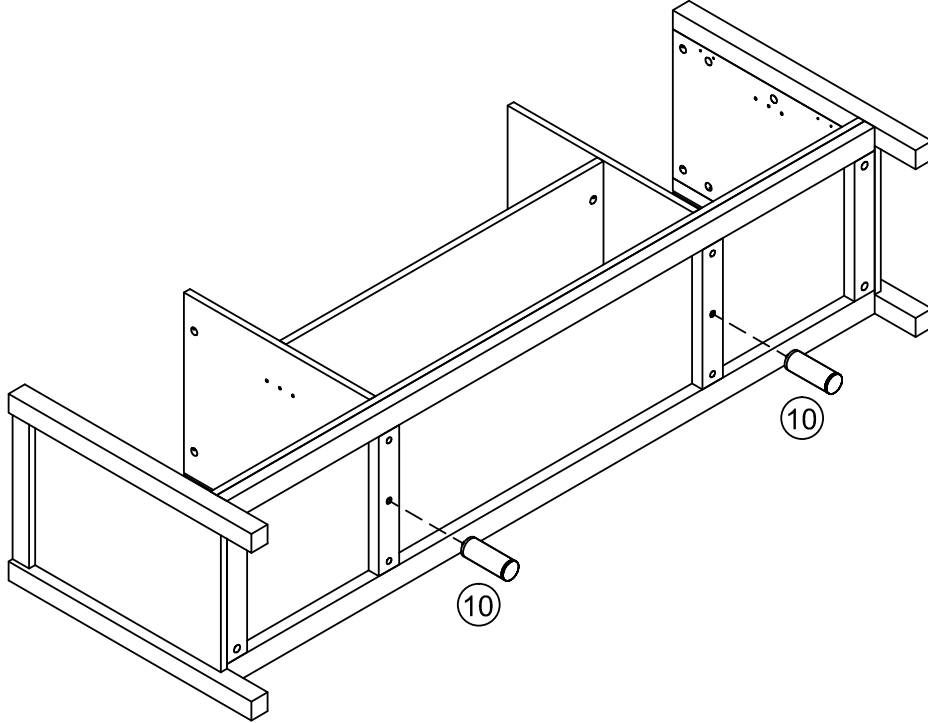
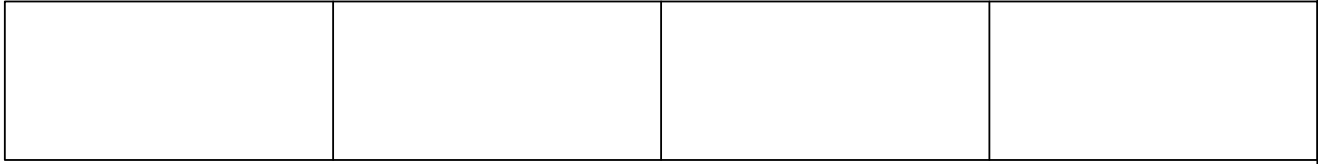
∅15 x 11mm



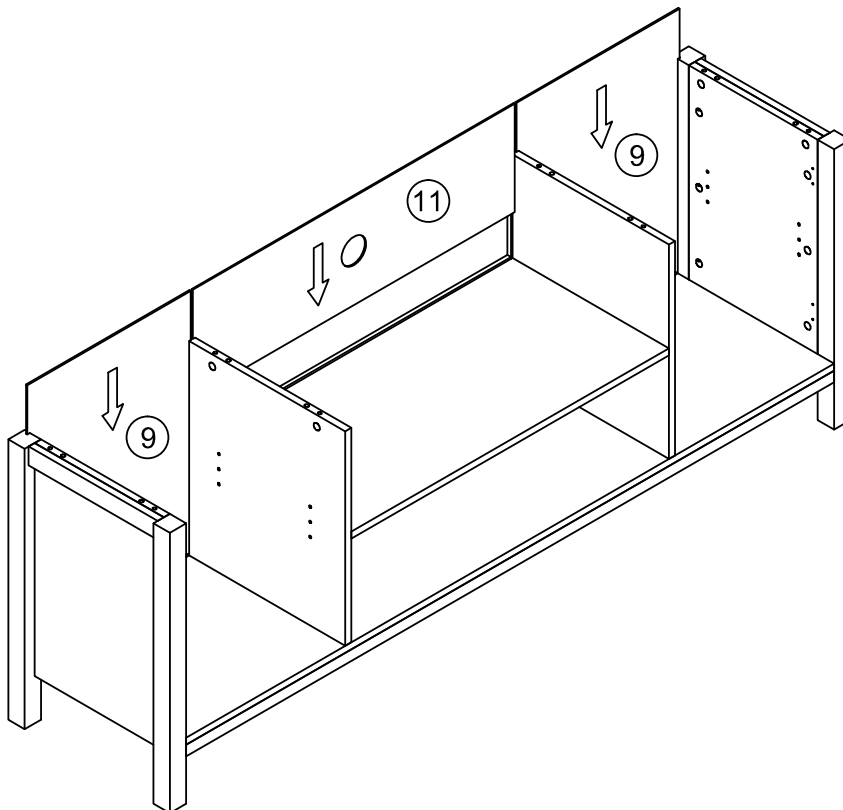
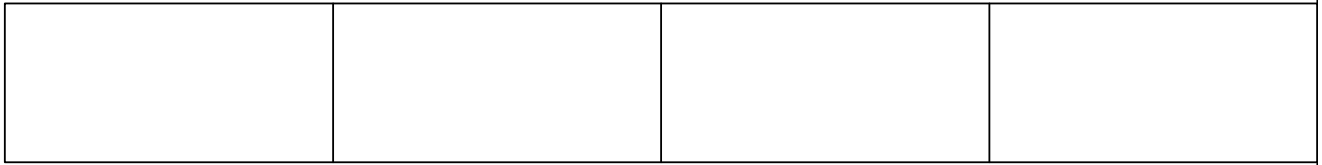
Bx4



11



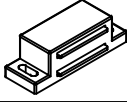
12



PRODUCT ASSEMBLY

13

53*12*20mm

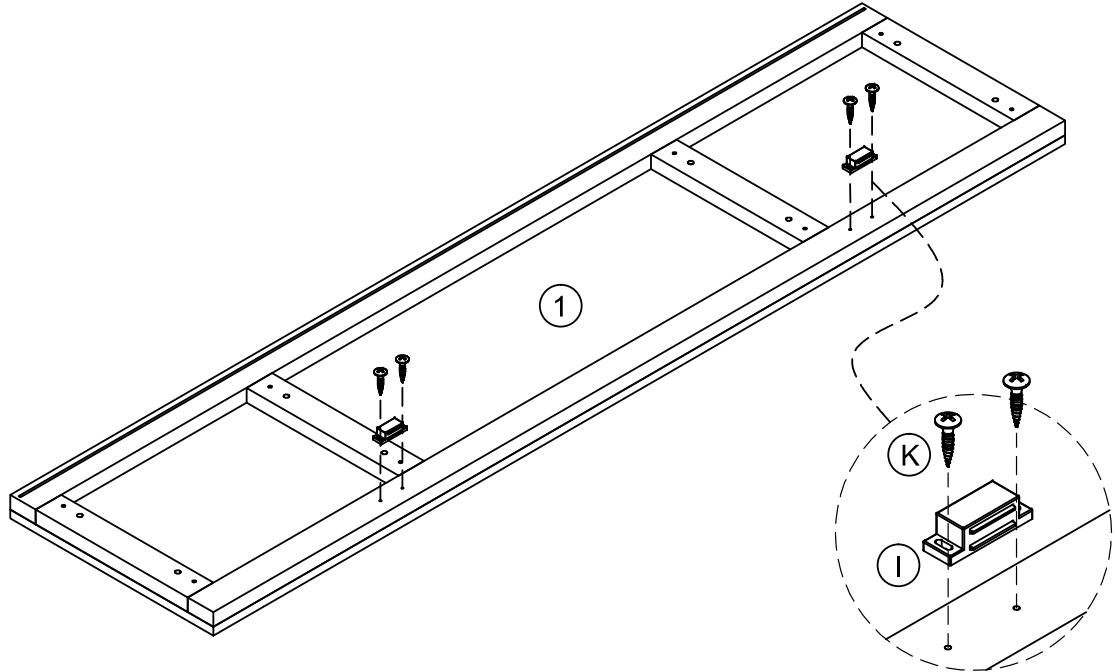


Ix2

M4 x 18mm

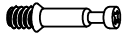


Kx4

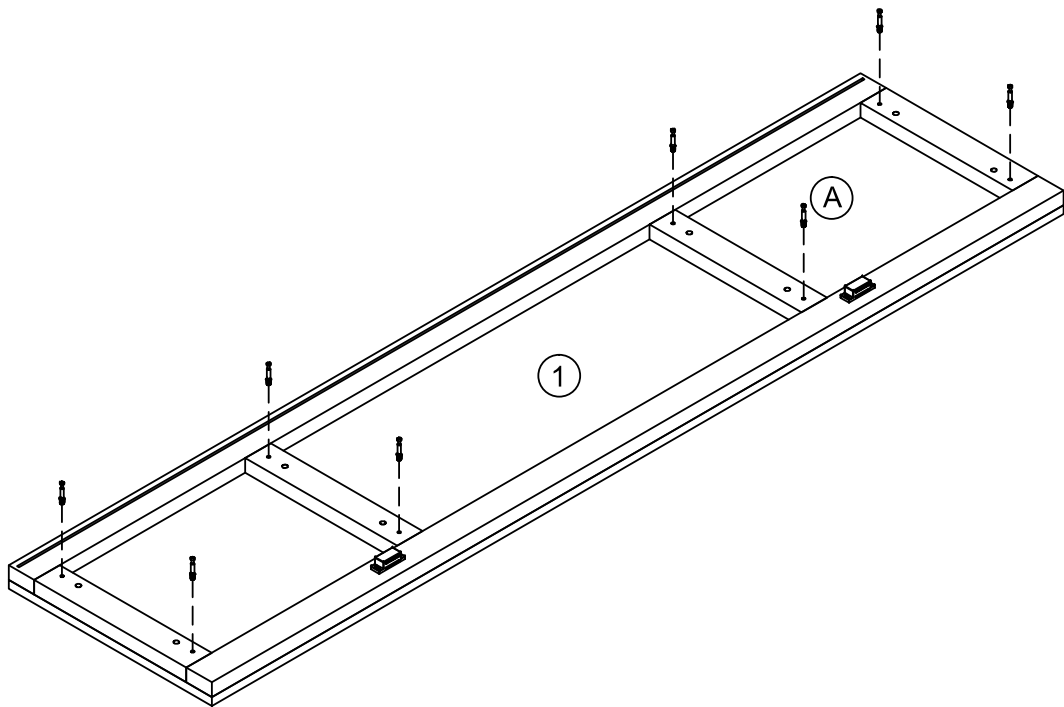


14

M6 x 35mm



Ax8



15

∅15 x 11mm

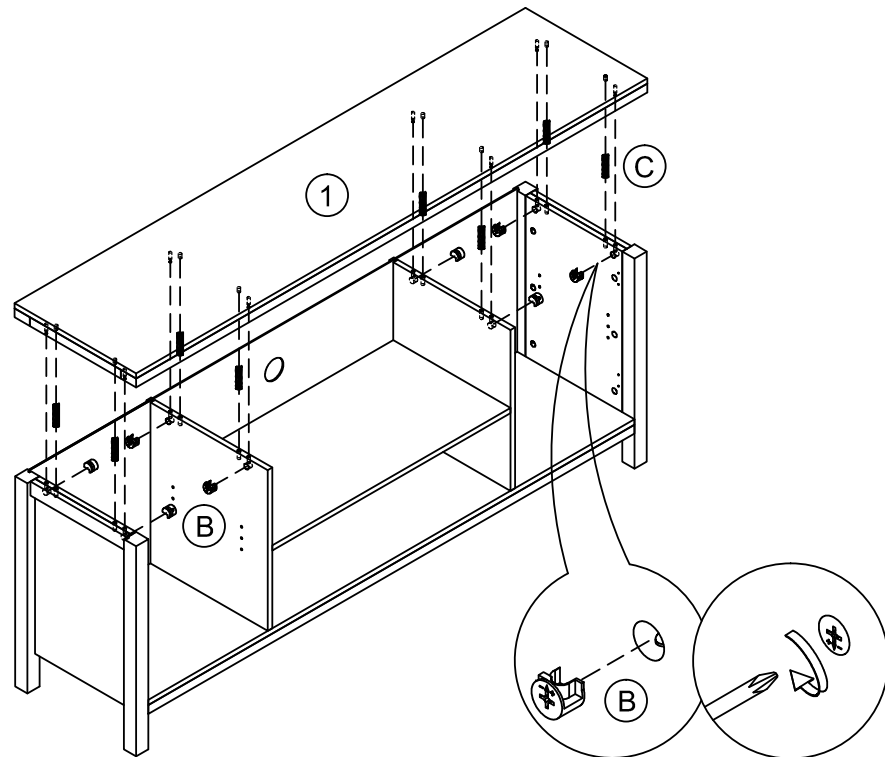


Bx8

∅8 x 30mm



Cx8



16

15*15*10mm

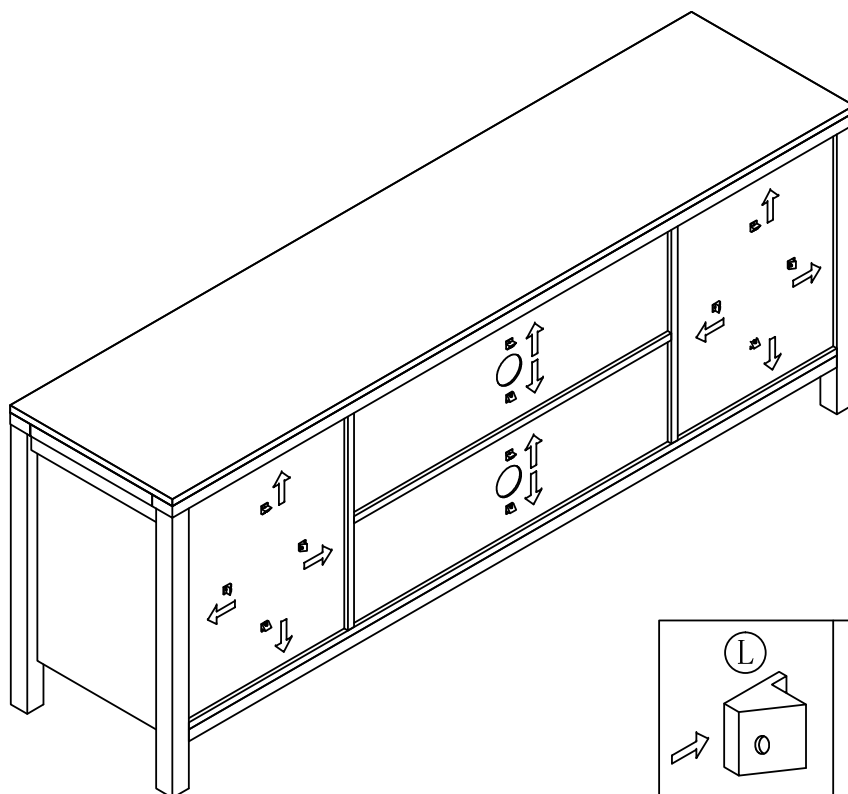


Lx12


M3 x 16mm

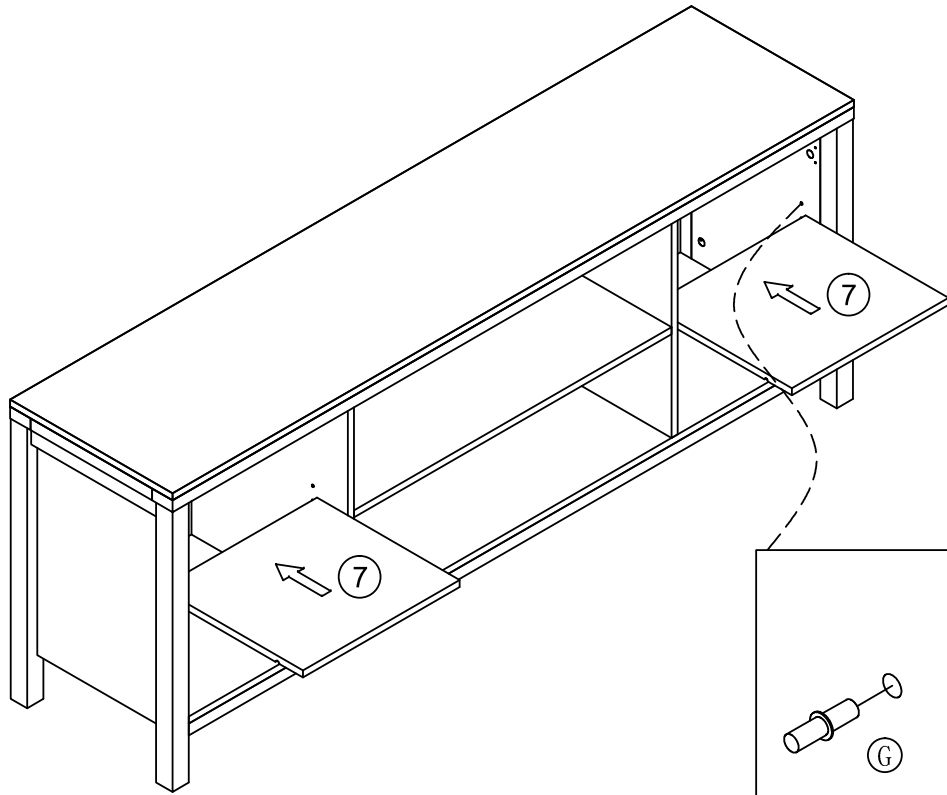


Mx12

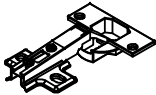
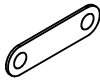



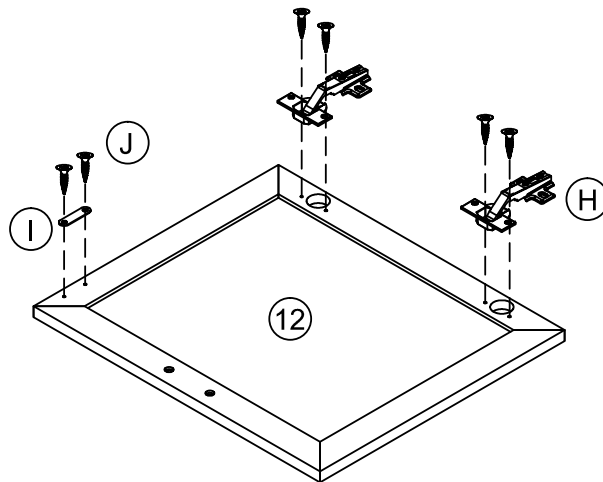
17

<p>Ø5*19</p>  <p>Gx8</p>			
---	--	--	--



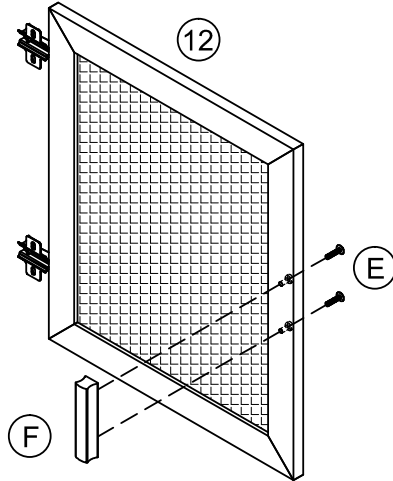
18

<p>Ø26</p>  <p>Hx2</p>	<p>45*12*1.5mm</p>  <p>Ix1</p>	<p>M3.5 x 14mm</p>  <p>Jx6</p>	
---	---	--	--

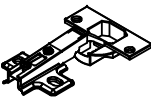
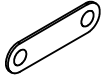



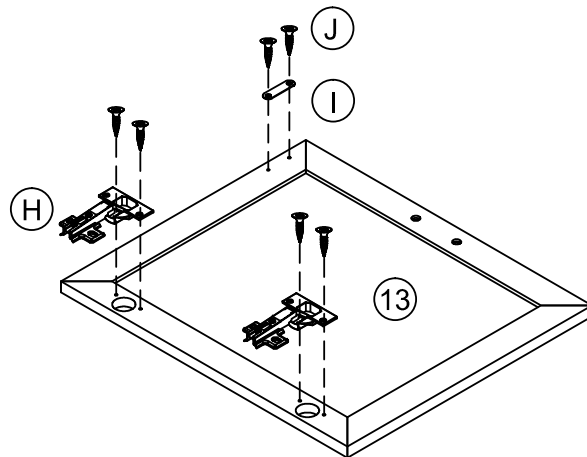
19

<p>M4 x 16mm</p>  <p>Ex2</p>	<p>99*19*20mm</p>  <p>Fx1</p>		
---	--	--	--



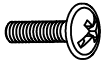
20

<p>Ø26</p>  <p>Hx2</p>	<p>45*12*1.5mm</p>  <p>Ix1</p>	<p>M3.5 x 14mm</p>  <p>Jx6</p>	
---	---	--	--



21

M4 x 16mm

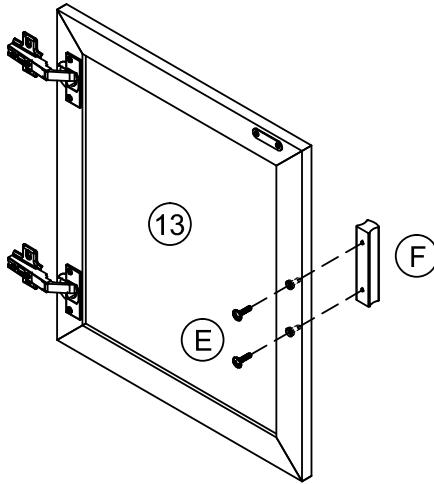


Ex2

99*19*20mm



Fx1



22

M3.5 x 14mm

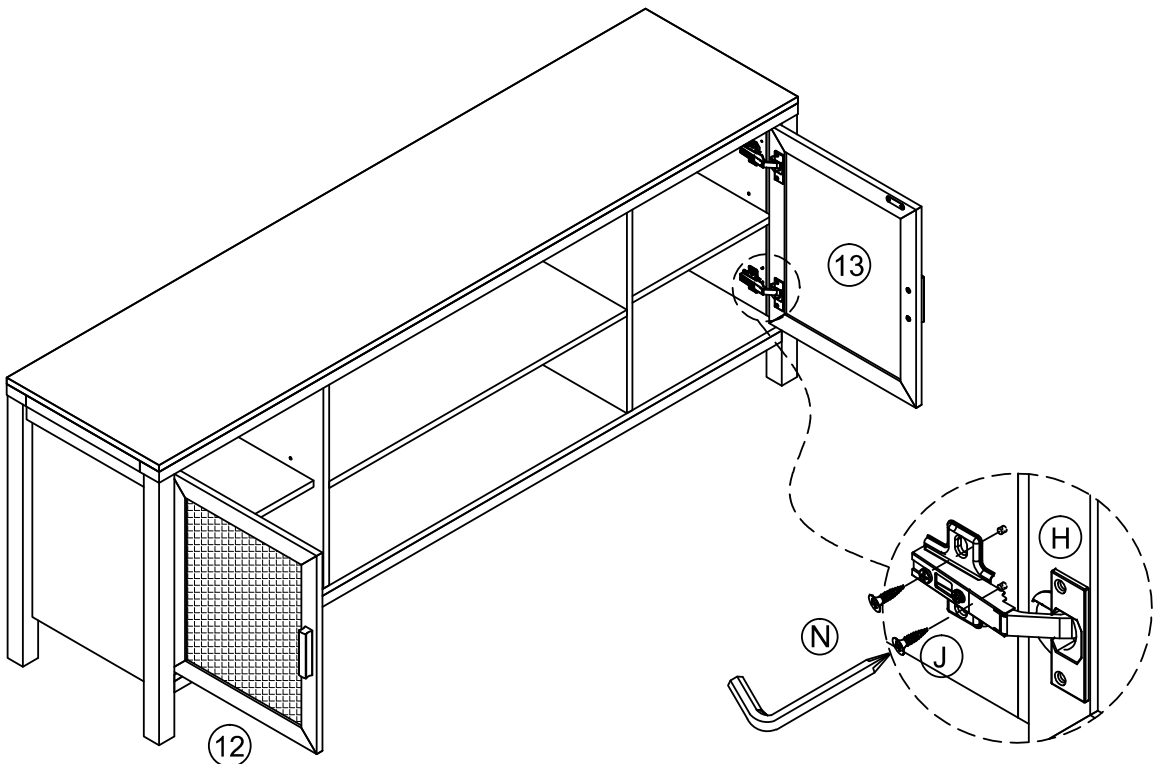


Jx8

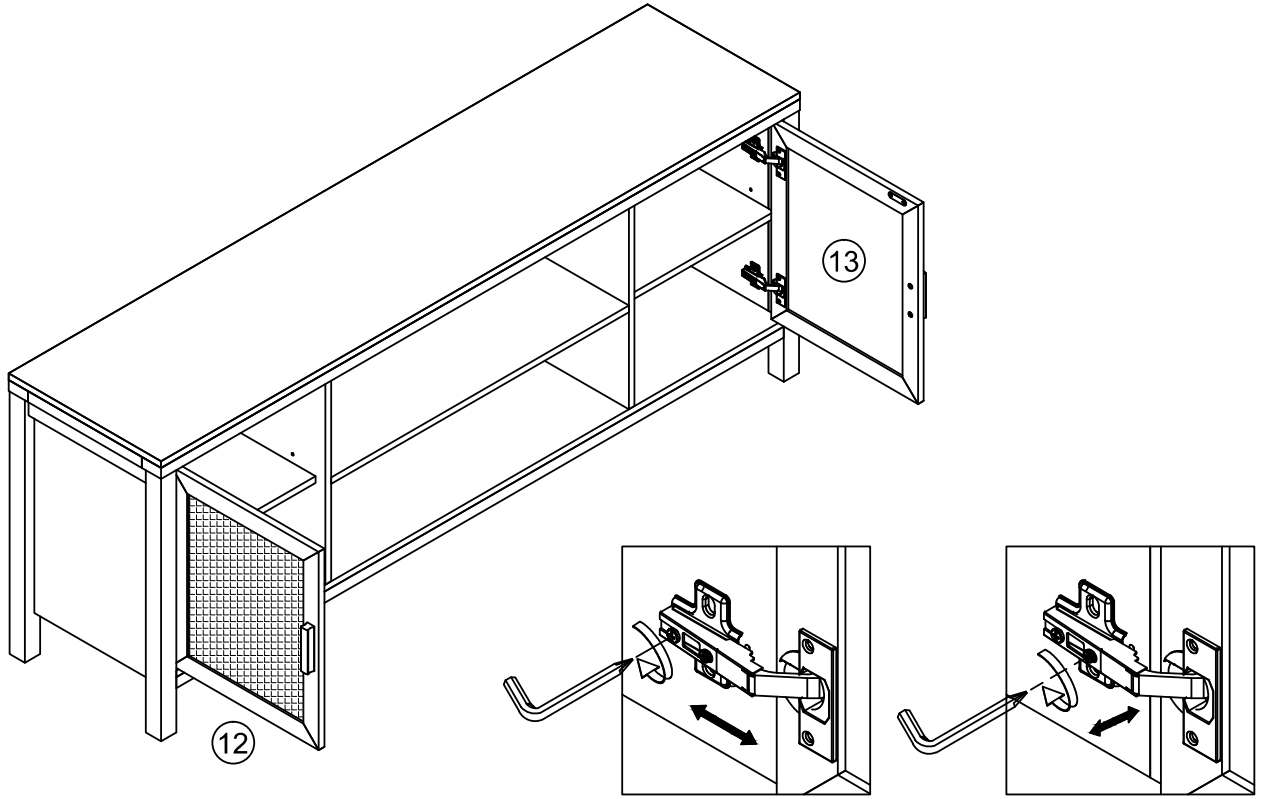
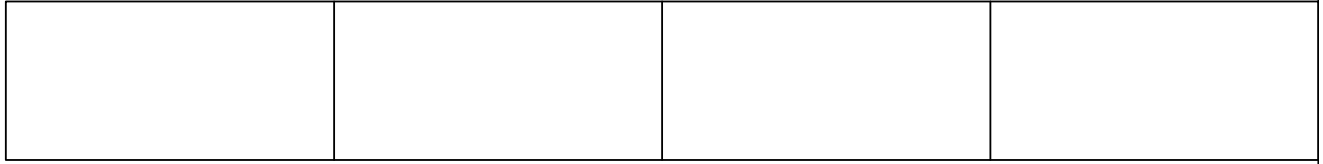
M4



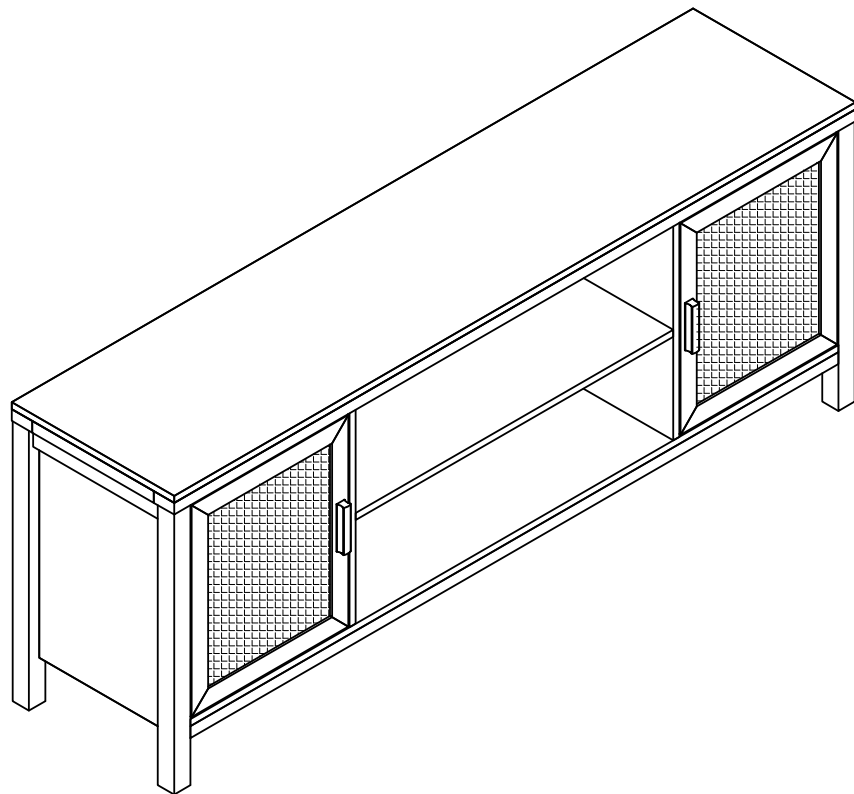
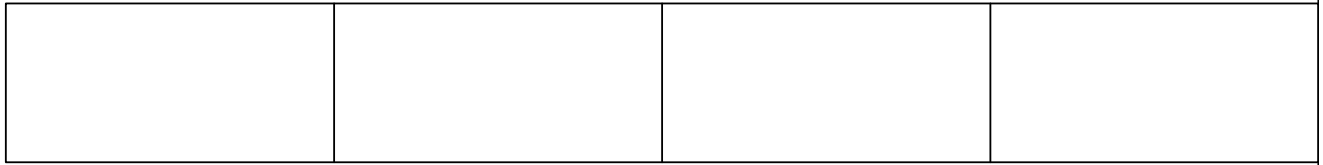
Nx1



23



24



IMPORTANT SAFETY INFORMATION

Please carefully read the instructions and caution warnings below before assembling the product. Following this guide will ensure that you install, use and maintain the product properly.

- Please keep this installation and user manual/instructions for future reference in case you need to assemble the product.
- Do not assemble if you notice serious damage such as cracks or bends.
- During installation, please use work gloves for hand safety.
- Please assemble the unit on carpeted floor or the flat cardboard box to avoid scratching the surface or your floor while assembling on the floor.
- To assemble, please use the complimentary installation tools (Allen Wrench). Pay more attention to the direction of components at each steps.
- It is recommended that two people work together to assemble the product.
- Please do not tighten the screws up too much, just to 80% before you finish to make the installation go on successfully.

RETURN POLICY

We believe you will absolutely love your new product. But for some reason you want to return your item, please contact us within 30 days after receiving and ensure that the product which you want to return is in a good condition in the original box with all original certificates of purchase, manuals and accessories attached.

HOW TO MAINTAIN YOUR PRODUCT:

- Check the screws of the product are not loose from regular use.
- Do not use sharp instruments, rubbing alcohol, corrosive chemicals, or abrasive cleaners to clean the product.
- Do not keep the product in a damp environment for a long period of time. The damp environment may cause the iron components to rust and the plates to bulge and crack.

Limited Liability & Warning

No Unauthorized Modifications/Repairs: Do not modify or attempt to repair this product unless you are an authorized technician. Unauthorized actions may create hazards and void all warranties

Misuse & Non-Compliance: We are not liable for any injury, damage, or loss resulting from:

- (a) misuse, abuse, neglect, or improper installation;
- (b) failure to follow instructions or safety precautions;
- (c) use of unauthorized parts/accessories;
- (d) unauthorized modifications/repairs;
- (e) accidents, natural disasters, or external causes.

If you doubt any step of installation or operation, stop using the product and contact authorized service or the customer support.

LIMITACIÓN DE RESPONSABILIDAD Y ADVERTENCIA

Modificaciones o Reparaciones No Autorizadas: NO modifique ni intente reparar este producto a menos que sea un técnico autorizado. Las acciones no autorizadas pueden generar riesgos y anularán todas las garantías.

Uso Indebido e Incumplimiento: No asumimos responsabilidad alguna por lesiones, daños o pérdidas que resulten de:

- (a) uso indebido, abuso, negligencia o instalación incorrecta;
- (b) incumplimiento de las instrucciones o precauciones de seguridad;
- (c) uso de piezas o accesorios no autorizados;
- (d) modificaciones o reparaciones no autorizadas;
- (e) accidentes, desastres naturales o causas externas.

Si tiene dudas sobre algún paso de la instalación o el funcionamiento, deje de usar el producto y póngase en contacto con el servicio técnico autorizado o con atención al cliente.