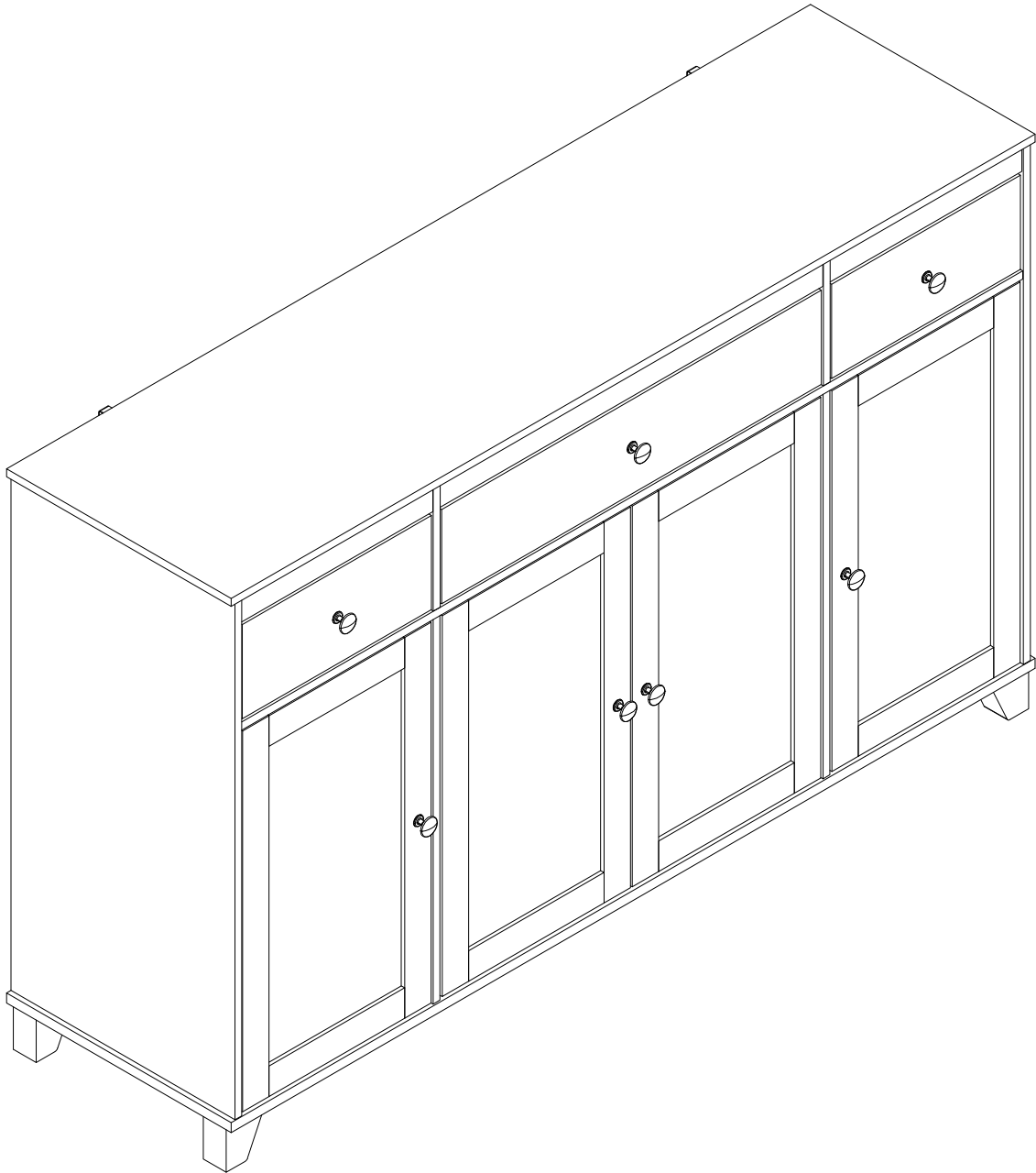


Instruction Manual



Cabinet

HFT-PB-012

HFT-PB-020

HFT-PB-027

HFT-PB-028

HFT-PB-029

V1.4

EN

Thank you for purchase on our products. Please contact us if you have difficulty with assembly or need replacement parts. Our customer service is here to assist you. Please attach your User Name or Order ID so that we can assist you better.

WARNING

Serious or fatal injury may occur from unexpected assembly or use.

1. During the assembly process, keep all parts away from babies or children.
2. Always securely fix this product to the wall. Make sure the wall area to be drilled is free from hidden electrical wires, water and gas pipes.
3. Use of tip-over restraints may only reduce, but not eliminate the risk of tip-over.
4. Unless specially designed to accommodate, do not set heavy objects on top of this product.
5. Place the heaviest items on the lowest shelf.
6. Never allow children to climb or bang on drawers, doors or shelves.

DE

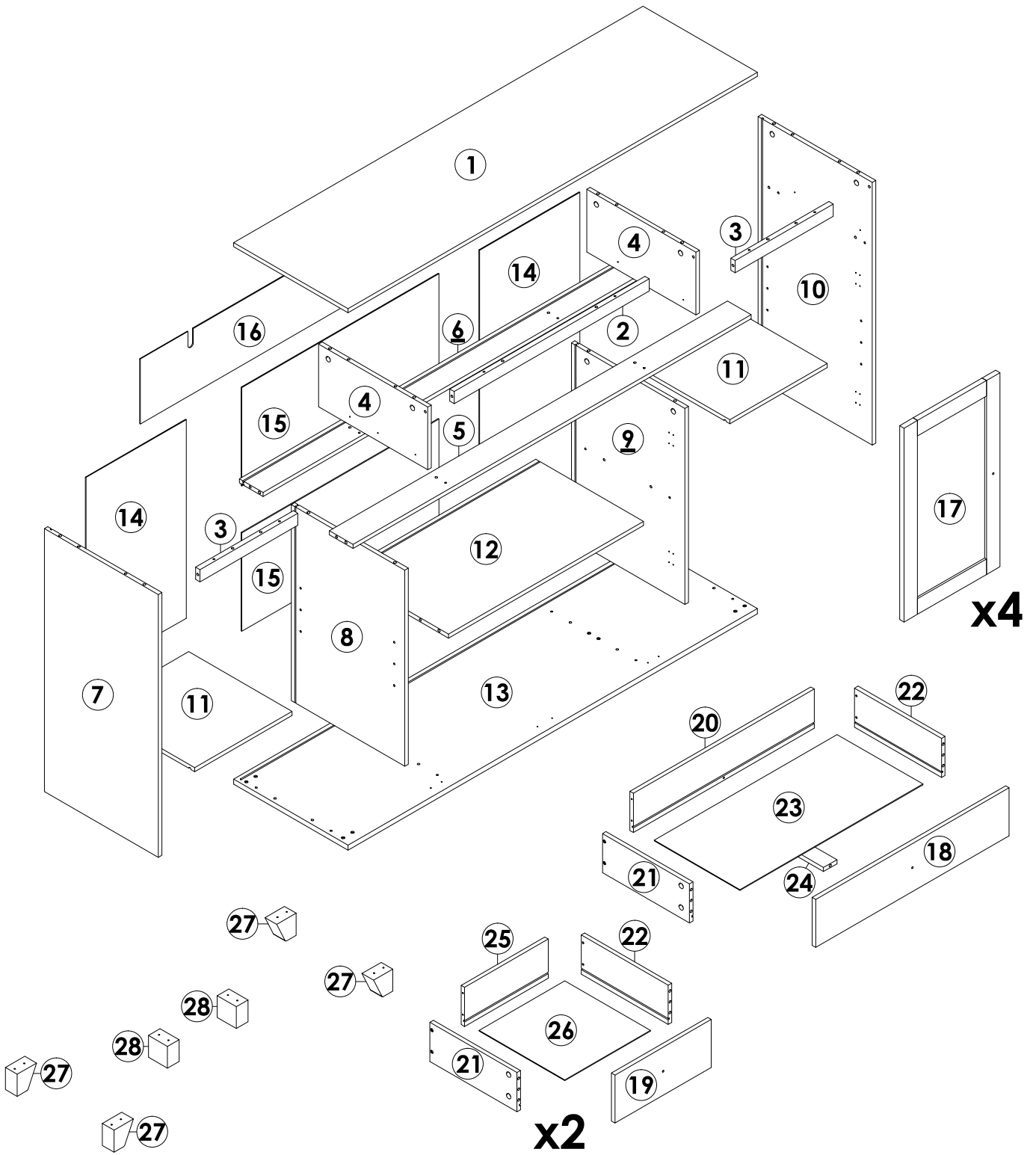
Vielen Dank für Ihren Kauf von uns Produkten. Bitte kontaktieren Sie uns, wenn Sie Probleme mit Montage haben oder Ersatzteile benötigen. Wir Kundenservice ist für Sie da. Bitte geben Sie Ihren Benutzernamen oder Ihre Bestellnummer an, damit wir Sie besser unterstützen können.

WARNUNG

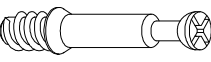
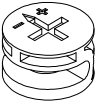
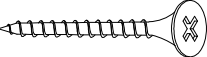


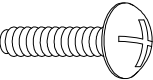
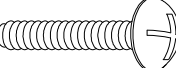

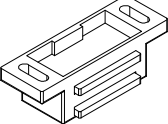
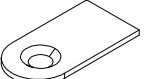
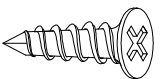
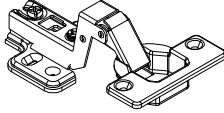
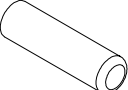

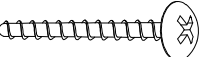
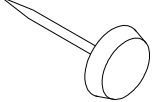

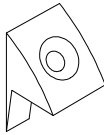
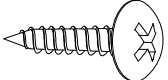
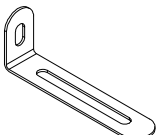
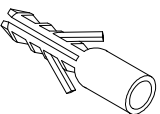
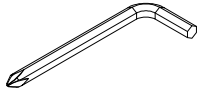
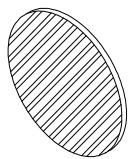
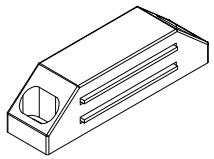
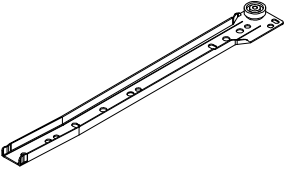
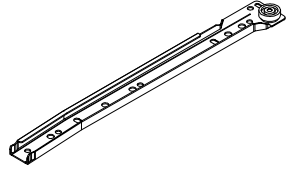
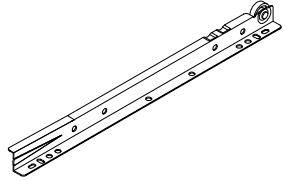
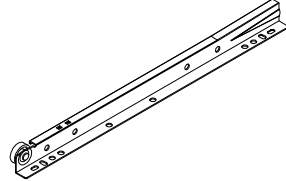
Bei unerwarteter Montage oder Verwendung können schwere oder tödliche Verletzung auftreten.

1. Legen Sie in den Montageprozess alle Teile weg von Babys oder Kindern.
2. Stellen Sie sicher, dass der gebohrte Wandbereich frei von verborgenen Stromkabeln, Wasser- und Gasleitungen ist, wenn Sie dieses Produkt an der Wand befestigen.
3. Die Verwendung von Kippsicherungen kann die Gefahr eines Kippens nur verringern, jedoch nicht beseitigen.
4. Setzen Sie bitte keine schweren Gegenstände auf dieses Produkt, es sei denn, dass das Produkt speziell für die Unterbringung konzipiert wird.
5. Legen Sie bitte die schwersten Gegenstände auf das unterste Regal.
6. Erlauben Sie nie Kindern, auf Schubladen, Türen oder Regale zu klettern oder zu knallen.

Parts List(EN) / Teile Liste(DE)

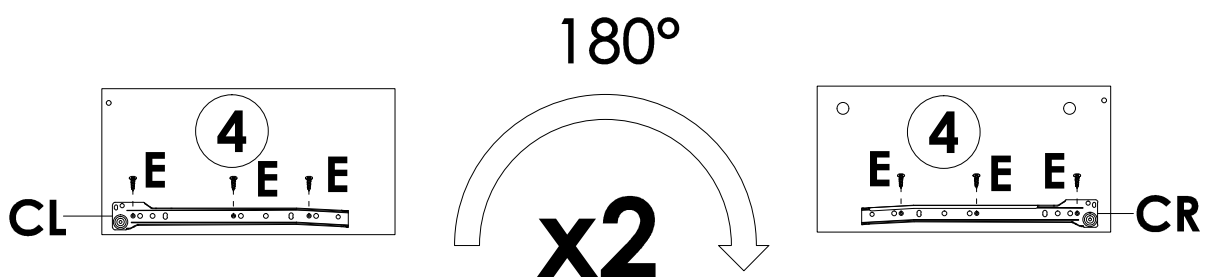
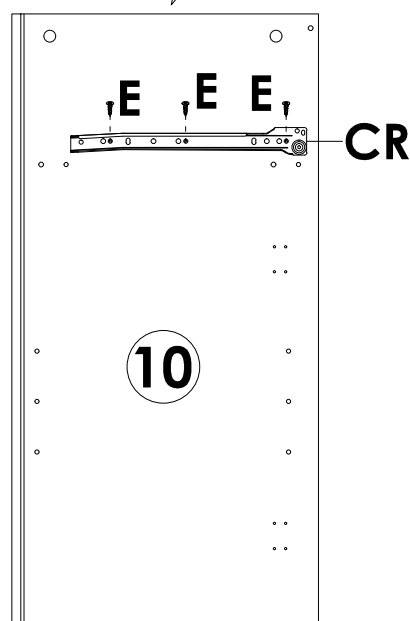
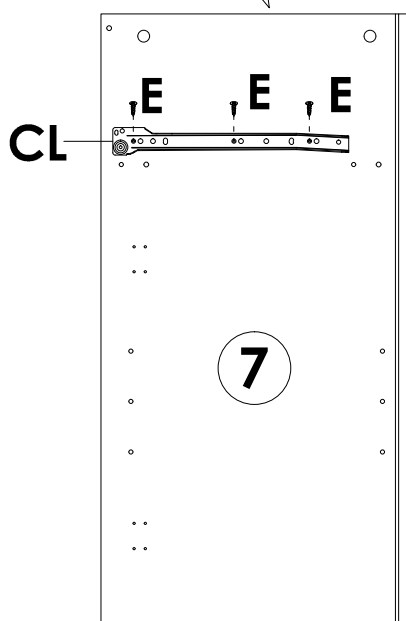
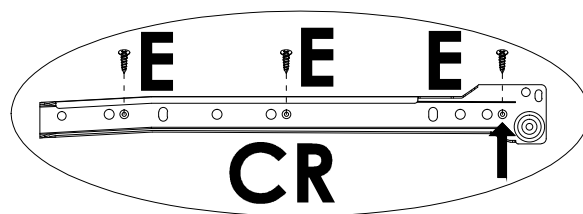
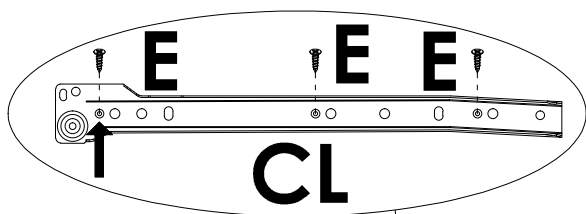





Parts List(EN) / Teile Liste(DE)

<p>A</p>  <p>M6x35mm 33+2PCS</p>	<p>B</p>  <p>Ø15x9mm 33+2PCS</p>	<p>C</p>  <p>M4x40mm 39+2PCS</p>	<p>D</p>  <p>Ø6x30mm 42+2PCS</p>	<p>E</p>  <p>M3x12mm 44+2PCS</p>
<p>F</p>  <p>M4x16mm 3PCS</p>	<p>G</p>  <p>M4x20mm 4PCS</p>	<p>H</p>  <p>7PCS</p>	<p>I</p>  <p>4PCS</p>	<p>J</p>  <p>8+1PCS</p>
<p>K</p>  <p>M3.5x12mm 48+2PCS</p>	<p>L</p>  <p>Ø35mm 8PCS</p>	<p>M</p>  <p>M5x20mm 8+1PCS</p>	<p>N</p>  <p>Ø6x50mm 2PCS</p>	<p>O</p>  <p>M4x35mm 6PCS</p>
<p>P</p>  <p>6PCS</p>	<p>Q</p>  <p>M3x14mm 32+2PCS</p>	<p>R</p>  <p>20+2PCS</p>	<p>S</p>  <p>M4x12mm 2PCS</p>	<p>T</p>  <p>2PCS</p>
<p>U</p>  <p>Ø6x30mm 2PCS</p>	<p>V</p>  <p>M4mm 1PC</p>	<p>W</p>  <p>Ø20mm 24+2PCS</p>	<p>X</p>  <p>2PCS</p>	
<p>CL</p>  <p>300mm 3PCS</p>	<p>CR</p>  <p>300mm 3PCS</p>	<p>DL</p>  <p>300mm 3PCS</p>	<p>DR</p>  <p>300mm 3PCS</p>	

Assembly Steps(EN) / Montageschritte(DE)

STEP 1

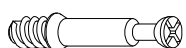
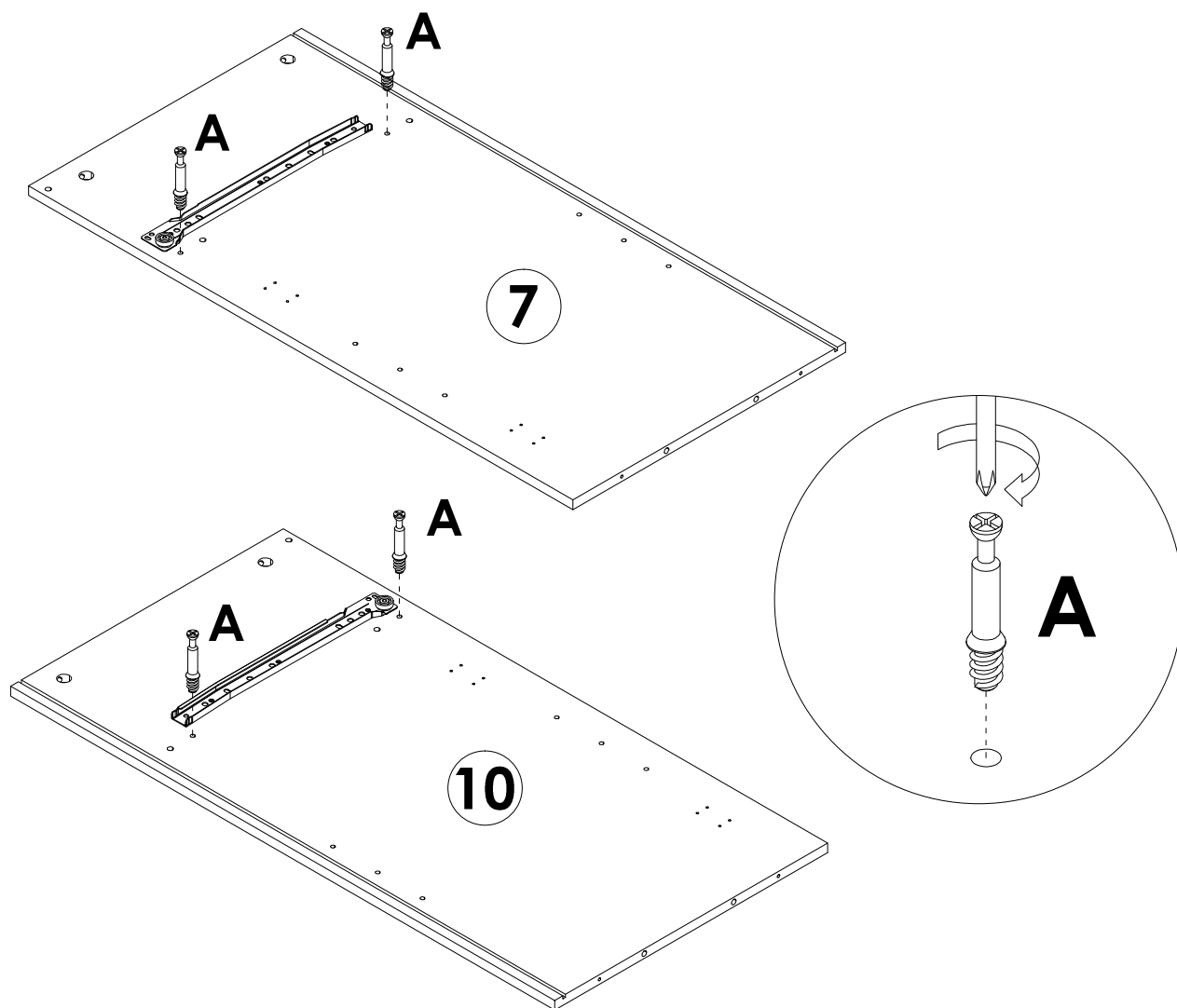


	E x 18PCS
	CL x 3PCS
	CR x 3PCS



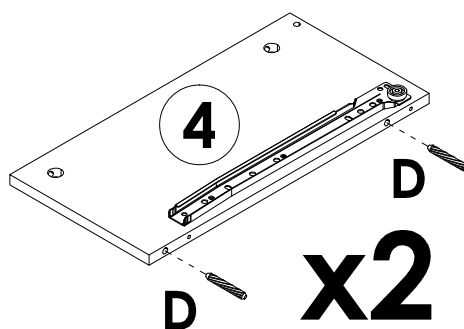
Turn over part 4 to install the other side.

STEP 2



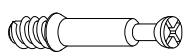
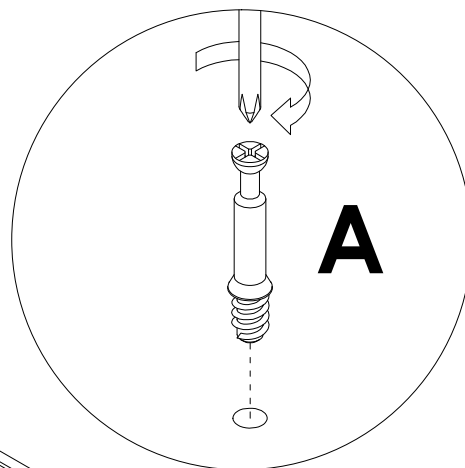
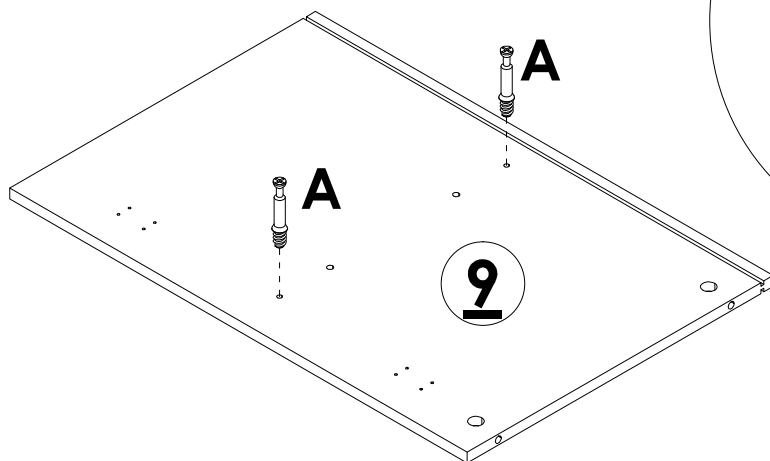
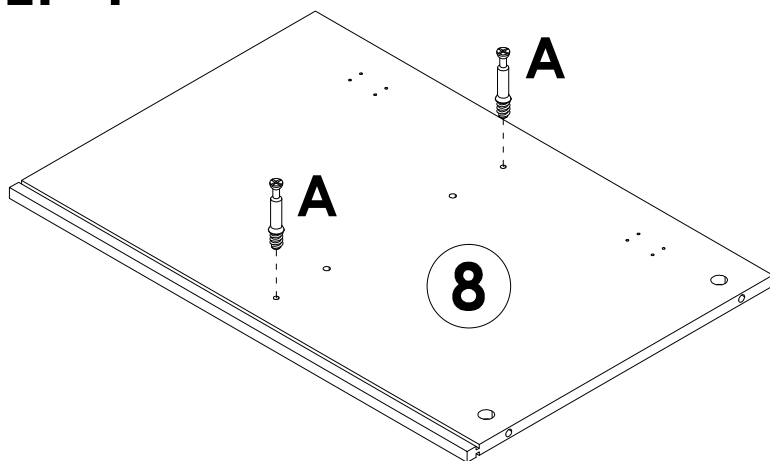
A x 4PCS

STEP 3



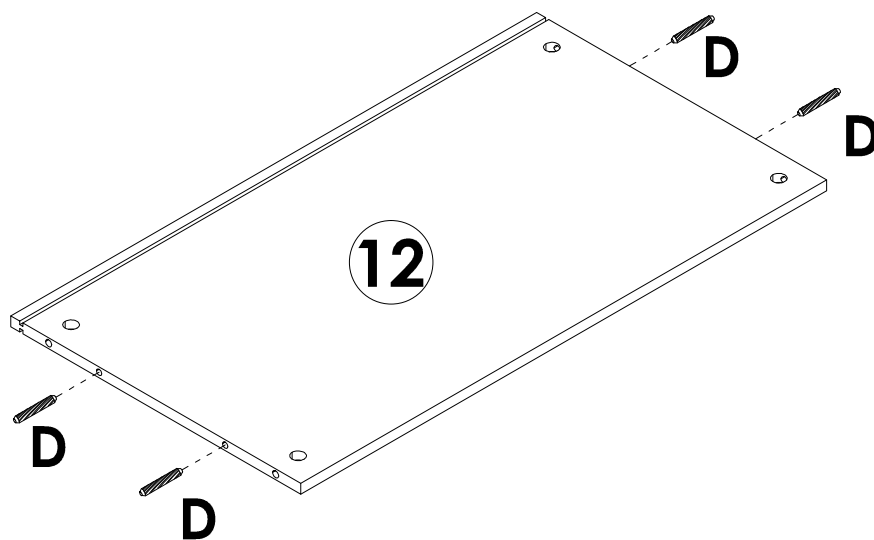
D x 4PCS

STEP 4



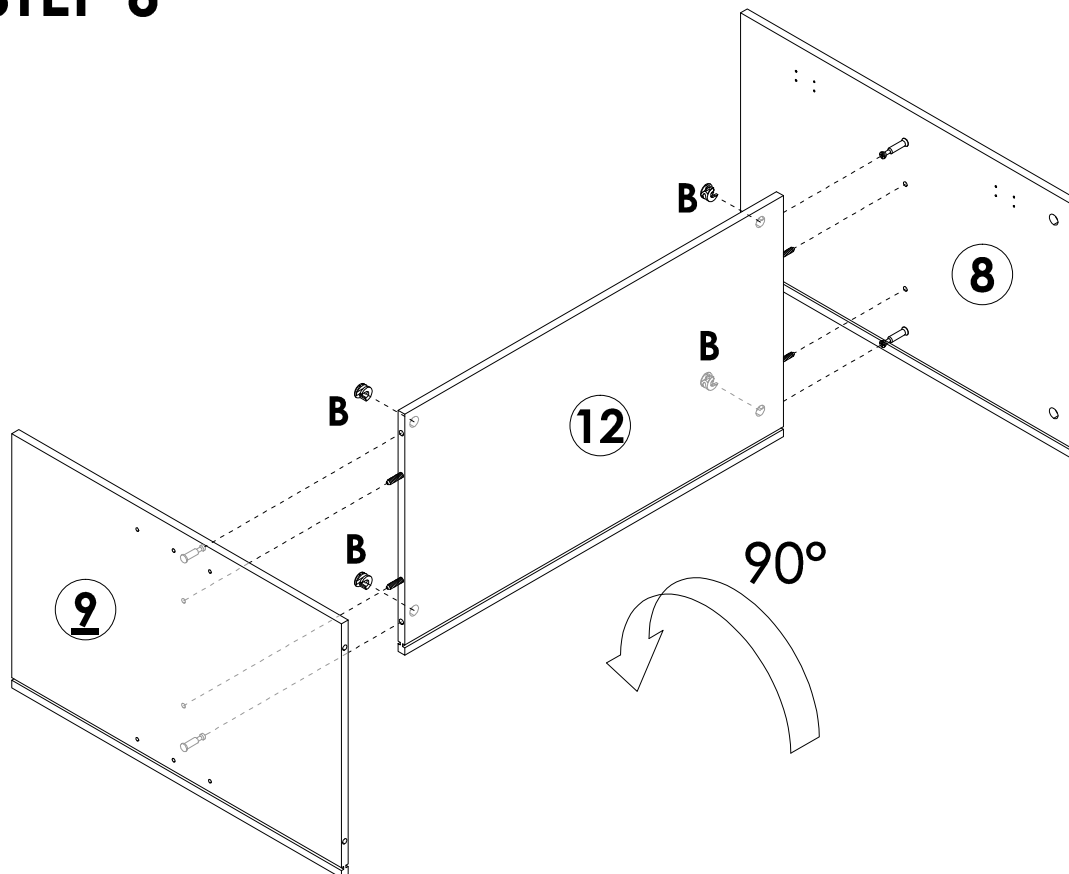
A x 4PCS

STEP 5

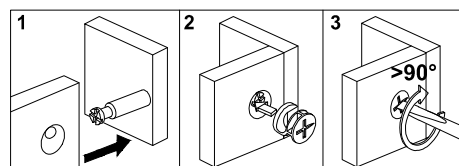


D x 4PCS

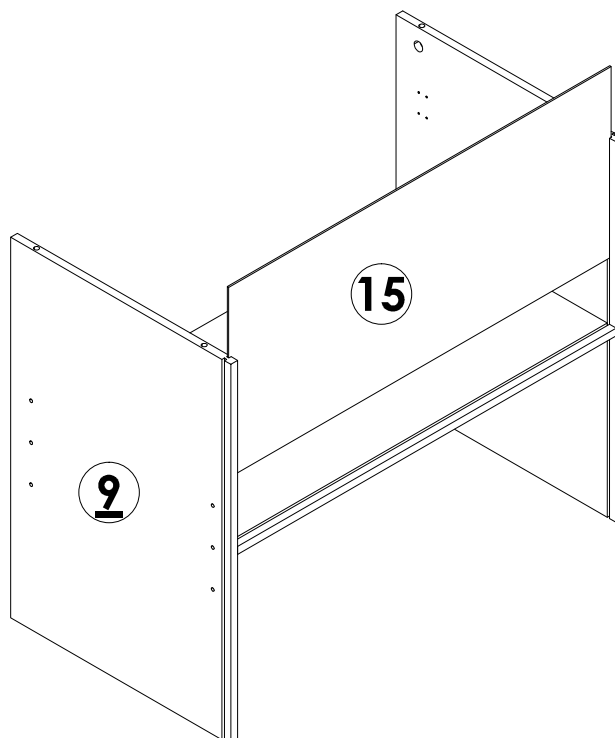
STEP 6



B x 4PCS

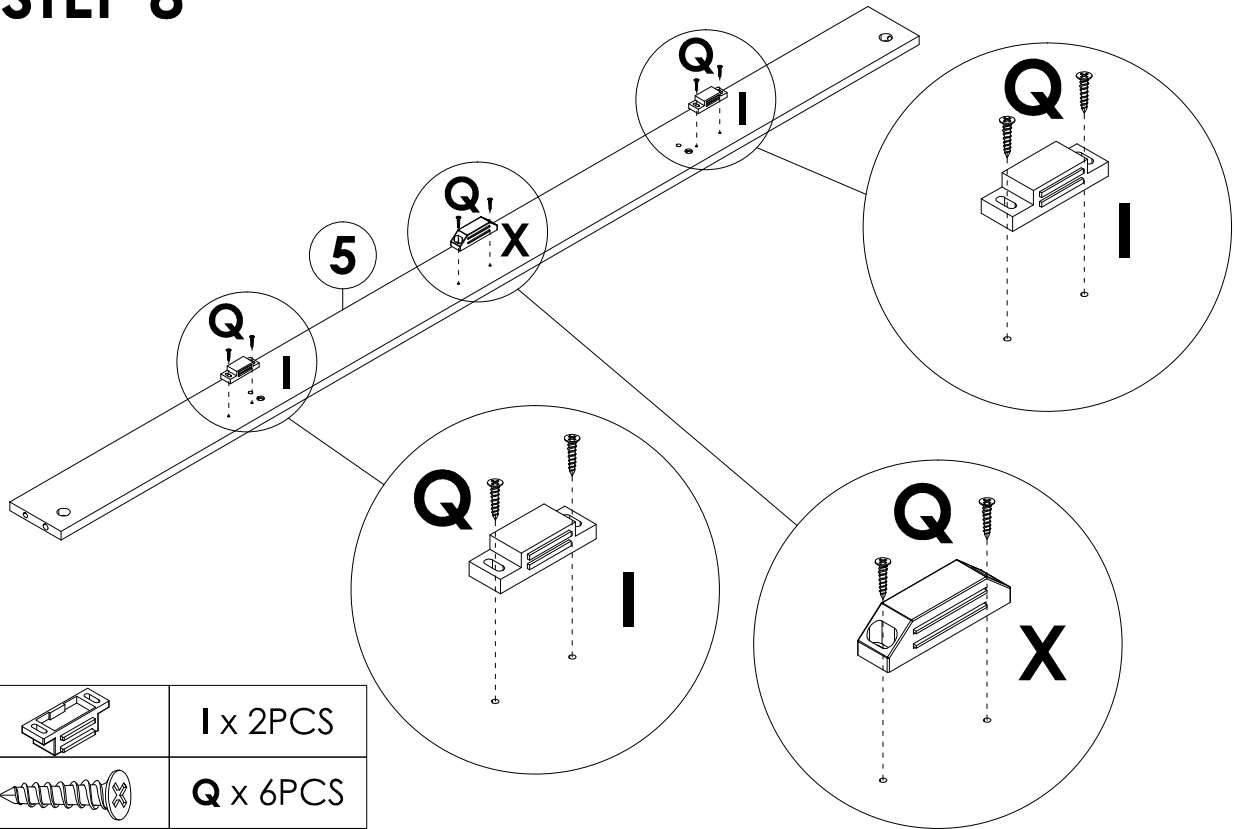


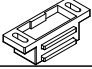


STEP 7



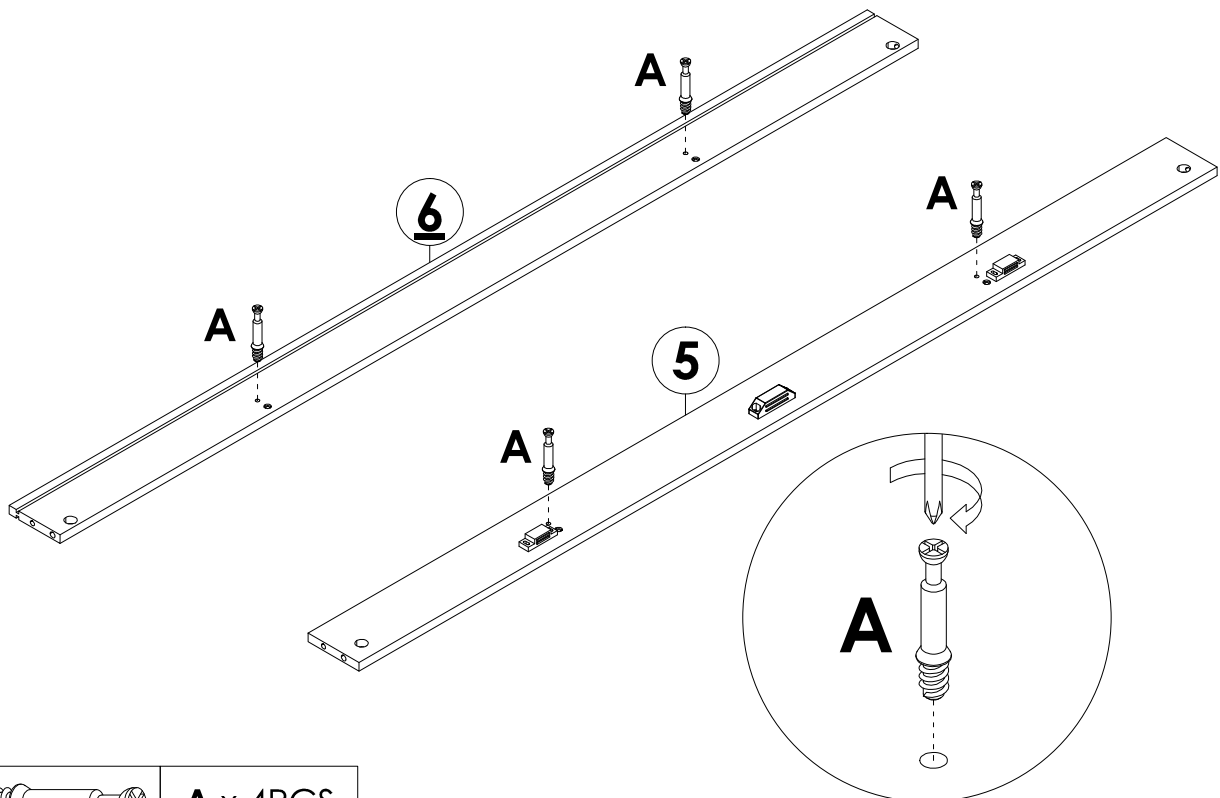
Assembly Steps(EN) / Montageschritte(DE)

STEP 8



	I x 2PCS
	Q x 6PCS
	X x 1PC

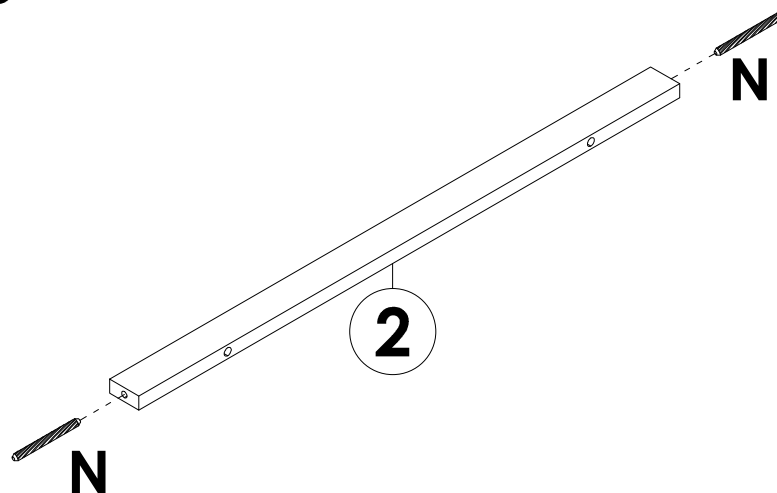
STEP 9



	A x 4PCS
---	----------

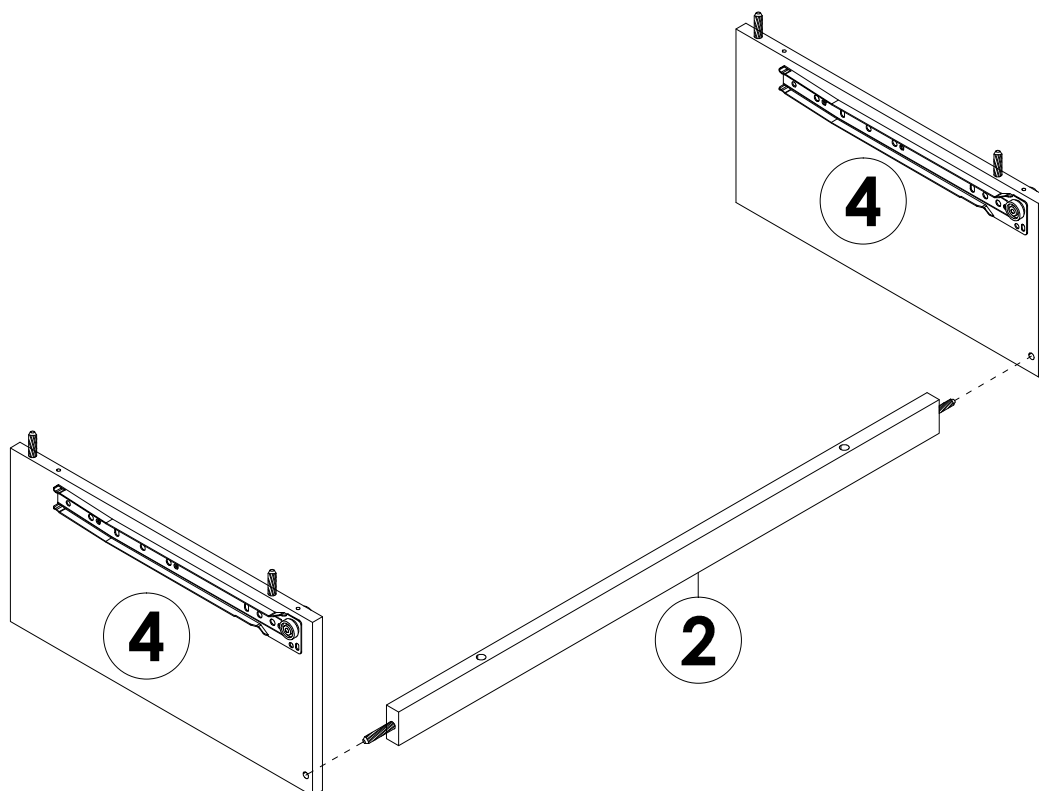
Assembly Steps(EN) / Montageschritte(DE)

STEP 10

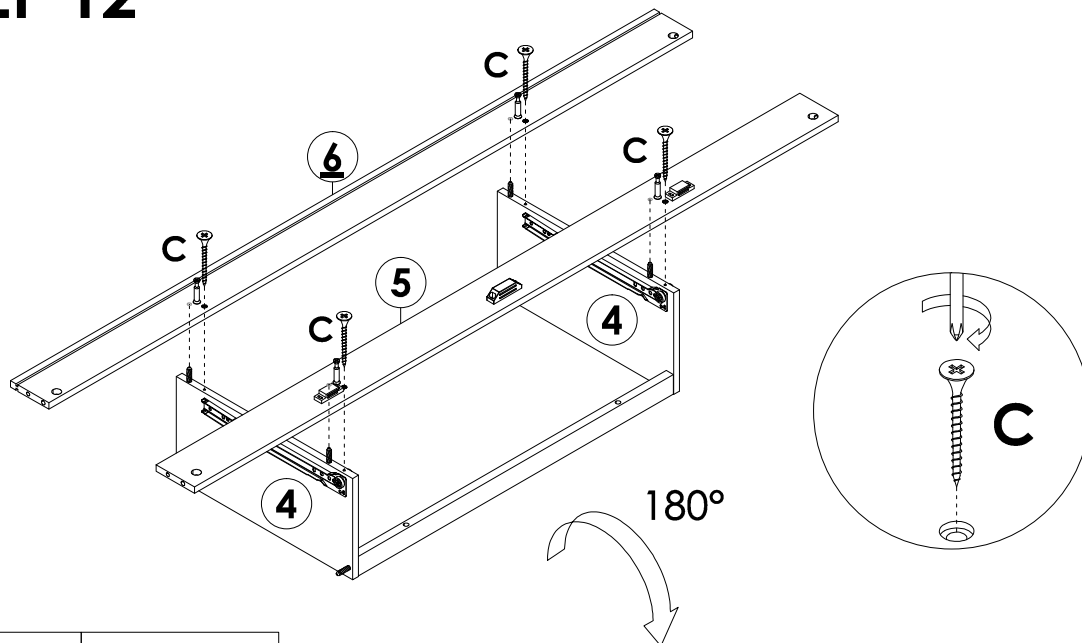


N x 2PCS

STEP 11

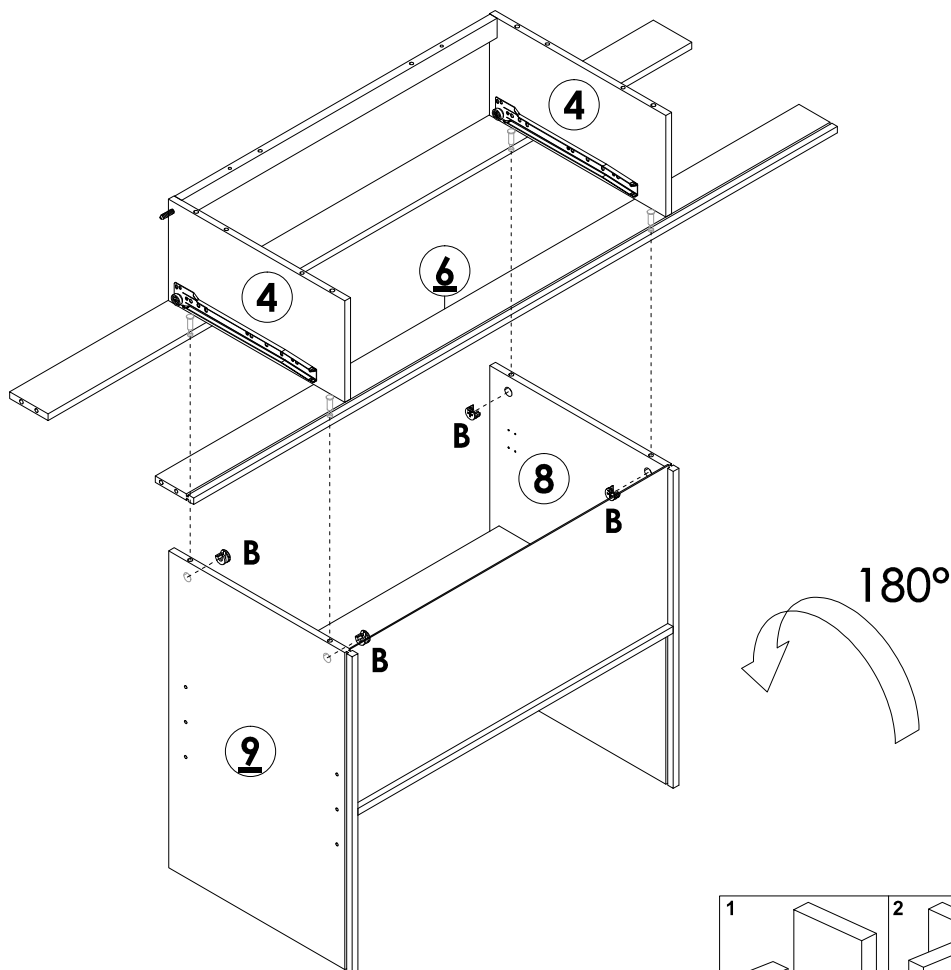


STEP 12

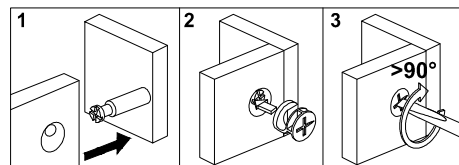


 **C x 4PCS**

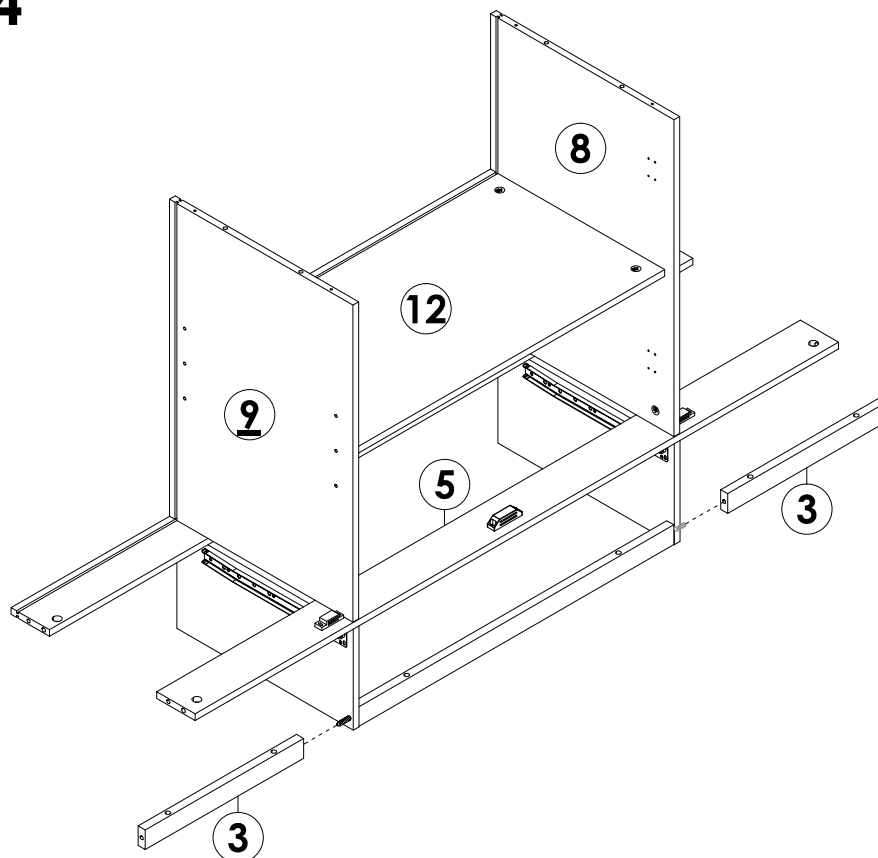
STEP 13



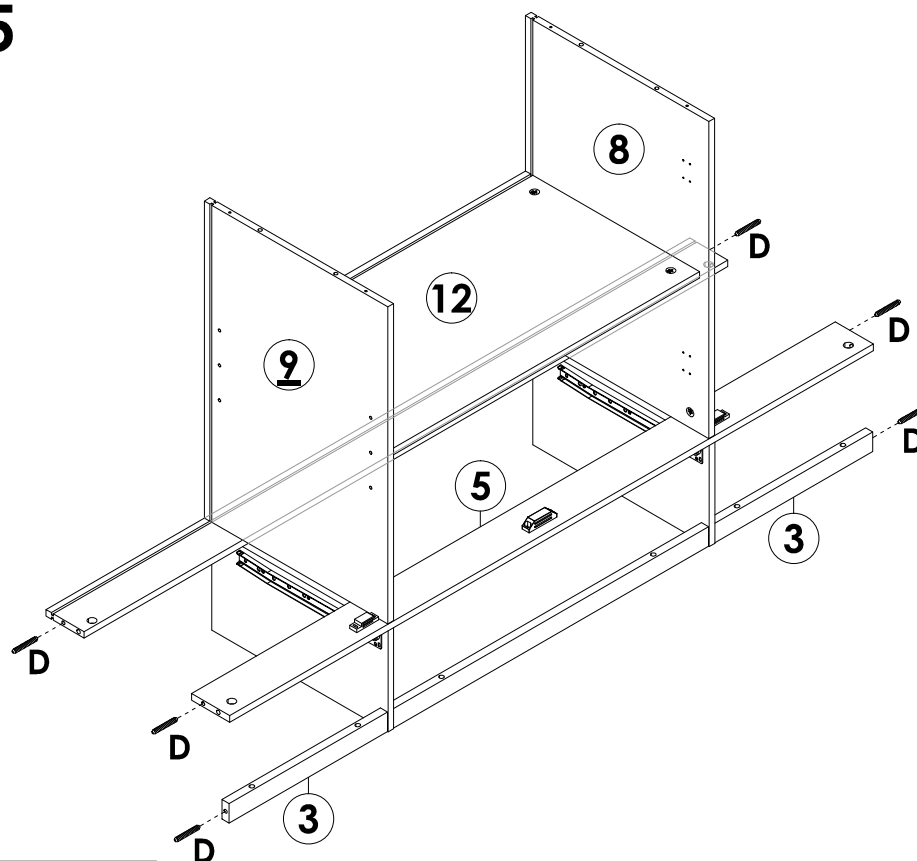
B x 4PCS



STEP 14

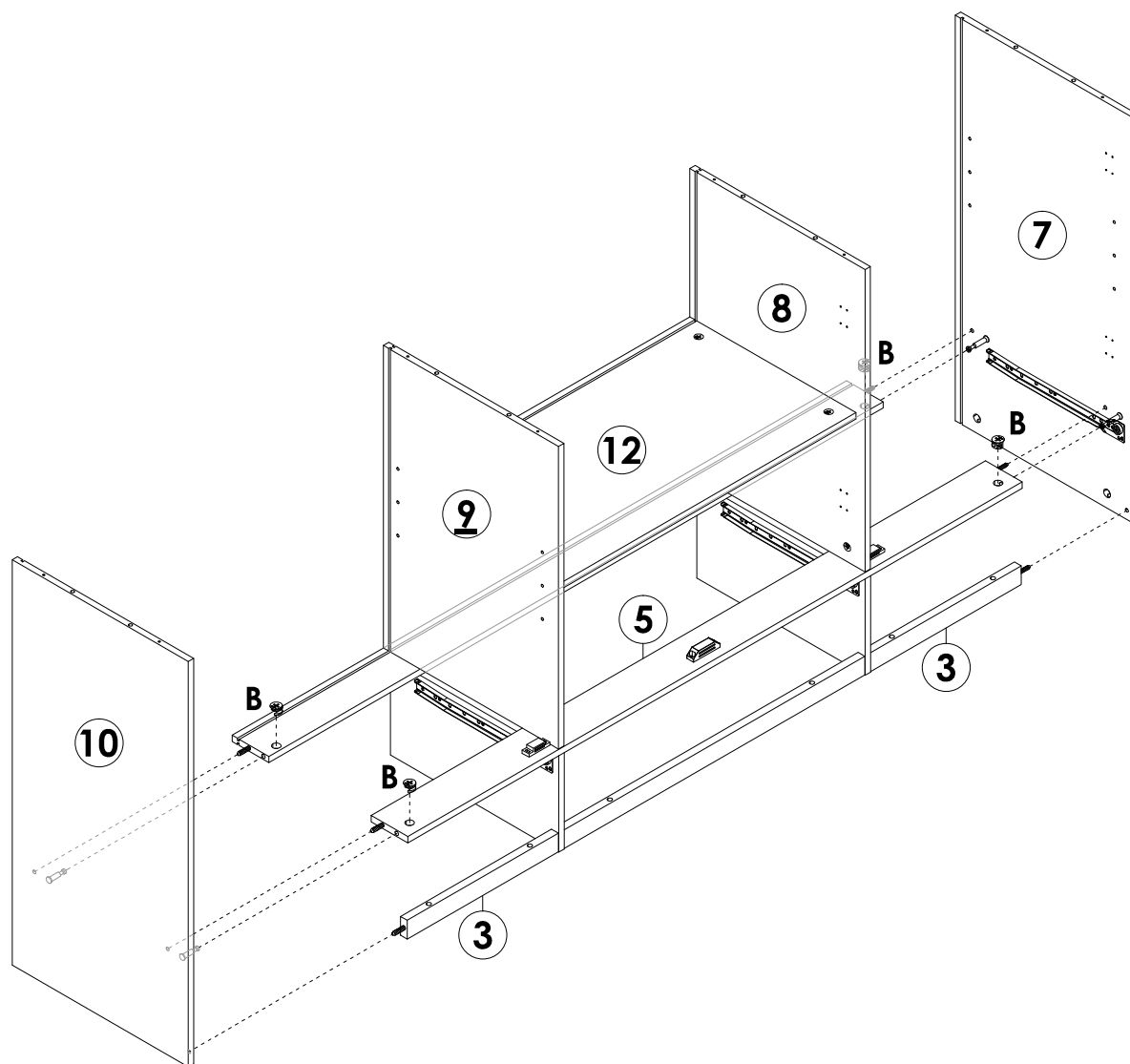


STEP 15

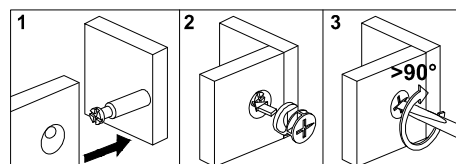


D x 6PCS

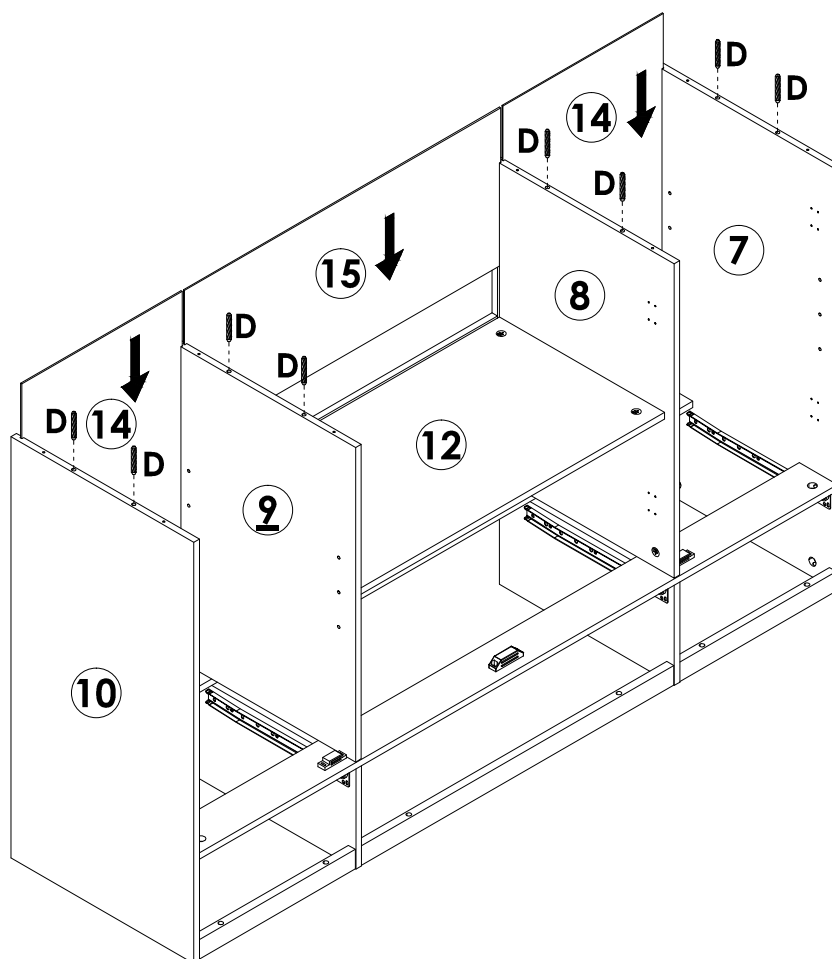
STEP 16



B x 4PCS

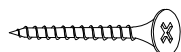
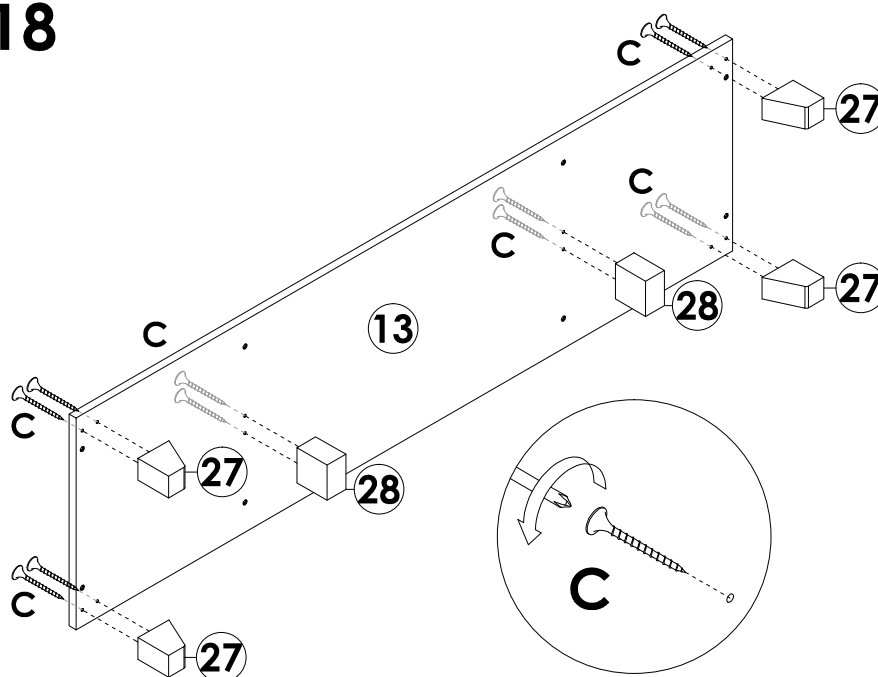


STEP 17



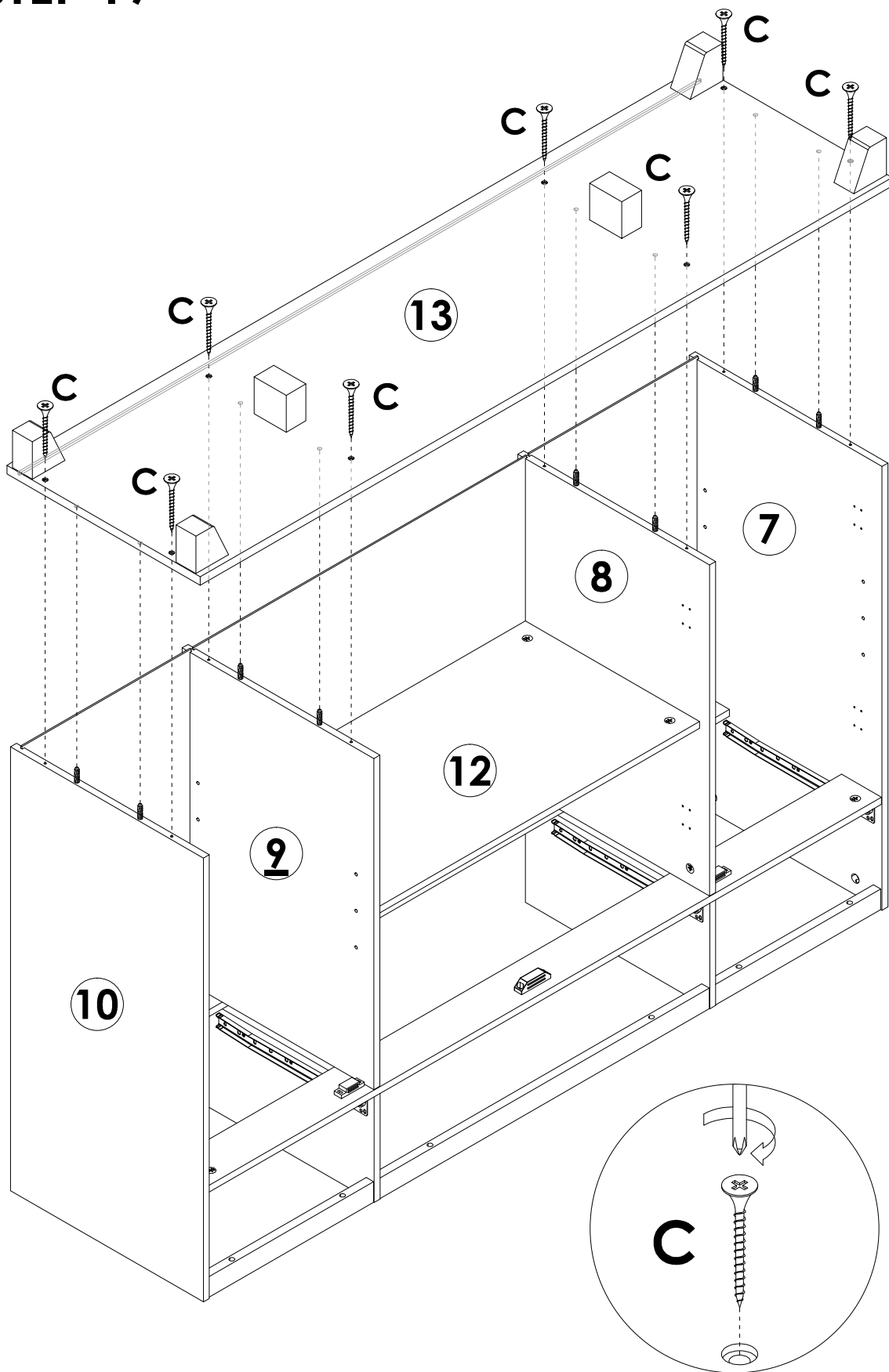
D x 8PCS

STEP 18



C x 12PCS

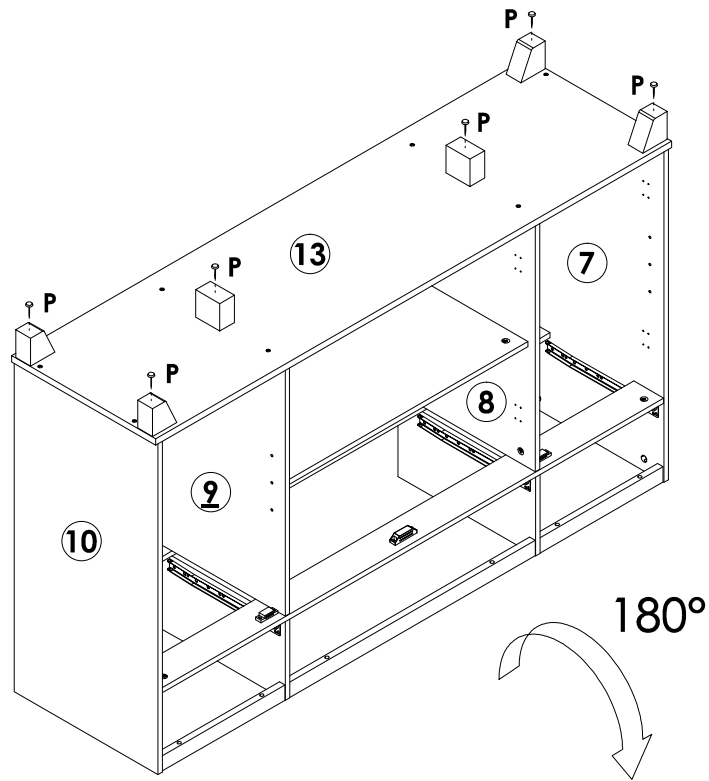
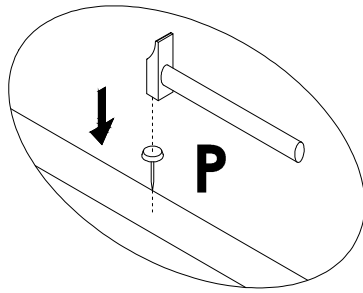
STEP 19



 **C x 8PCS**

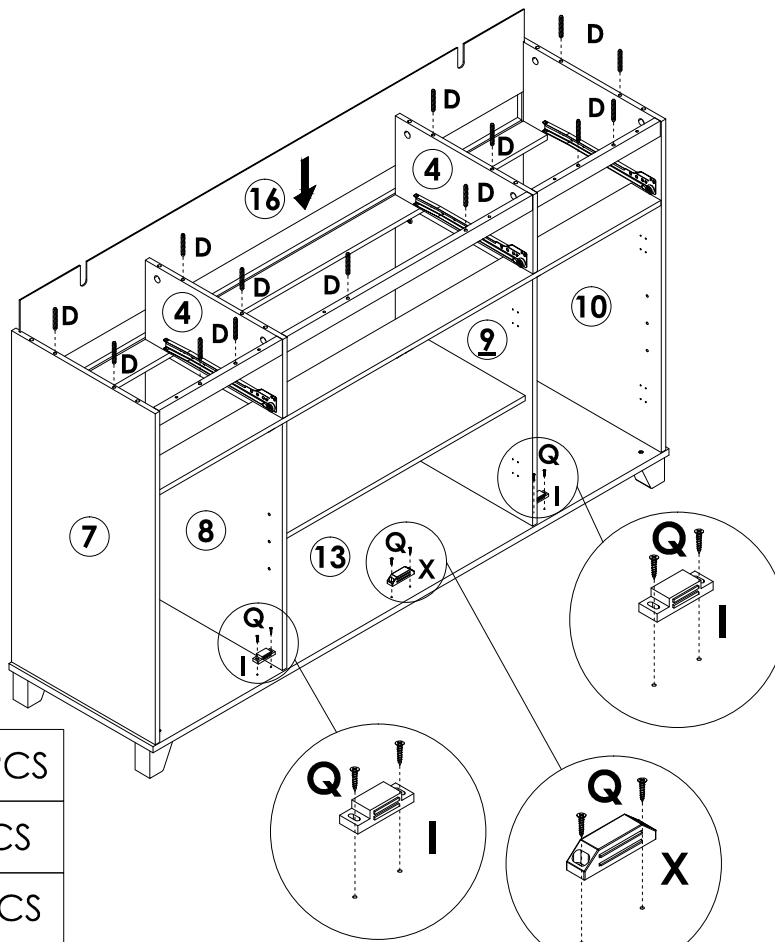
Assembly Steps(EN) / Montageschritte(DE)

STEP 20



P x 6PCS

STEP 21



D x 14PCS



I x 2PCS



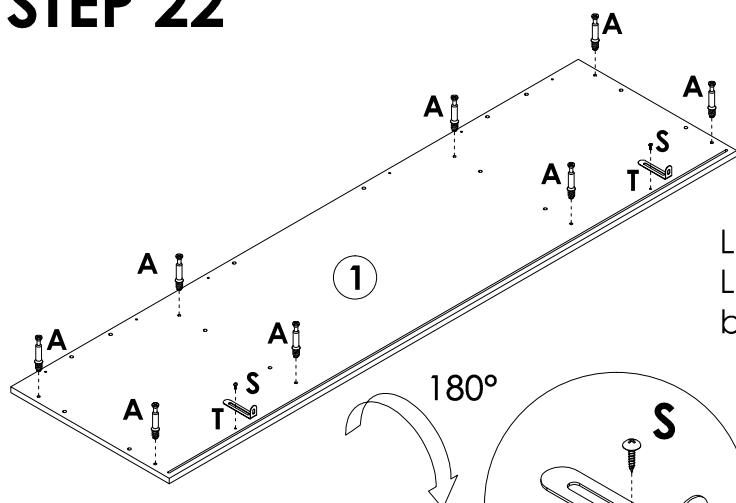
Q x 6PCS



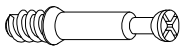
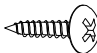
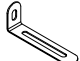
X x 1PC

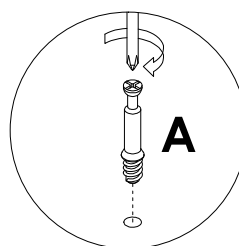
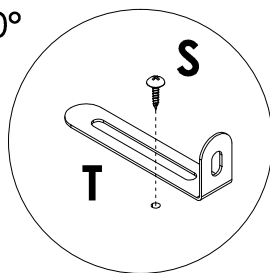
Assembly Steps(EN) / Montageschritte(DE)

STEP 22

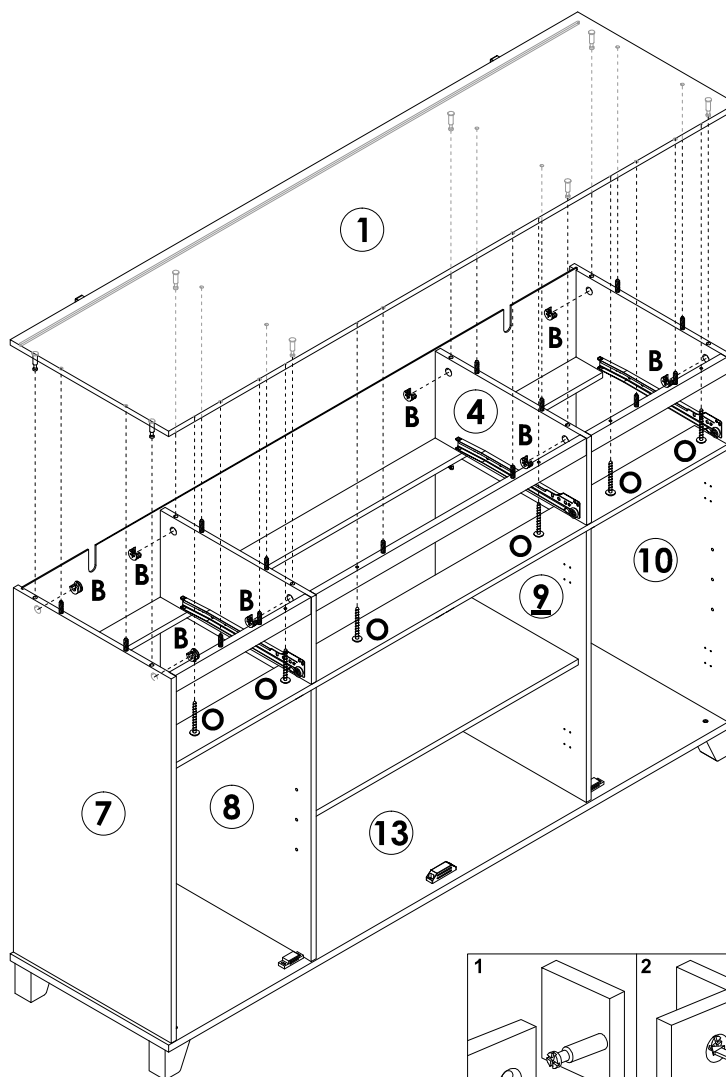
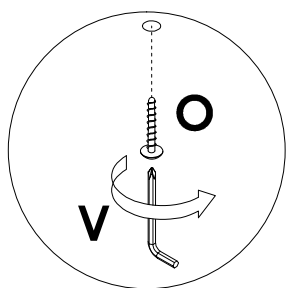



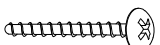
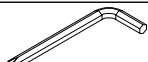
Lock the long side of the "T" L-shaped metal plate to the ① board with the "S" short screw.

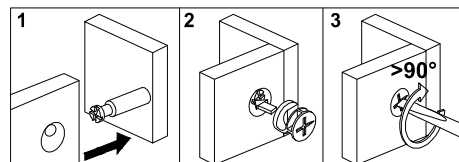
	A x 8PCS
	S x 2PCS
	T x 2PCS



STEP 23

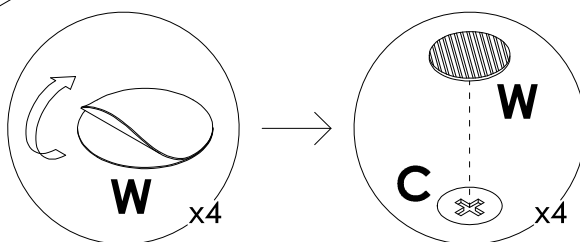
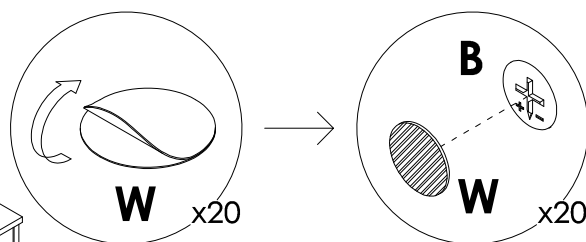
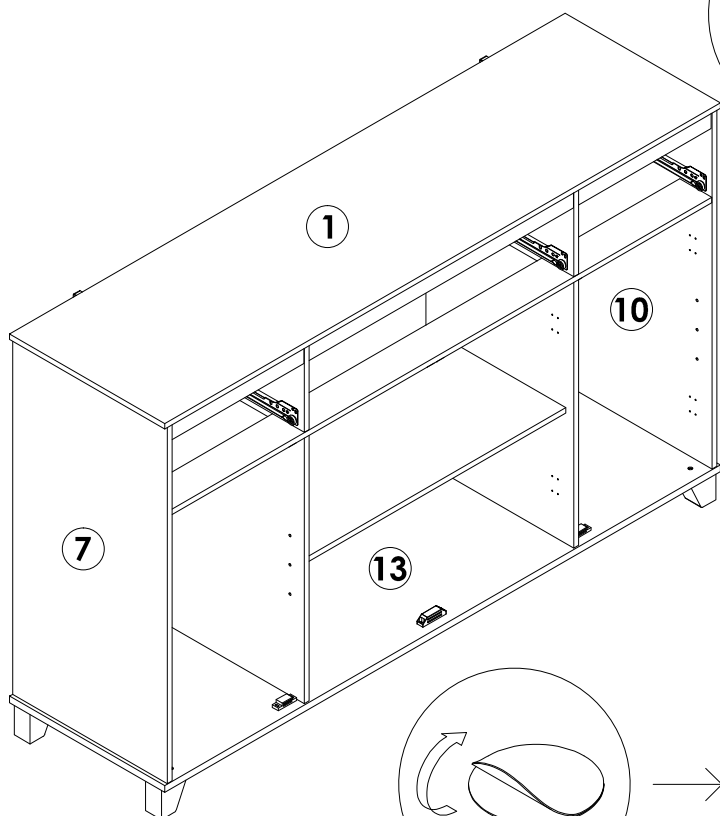


	B x 8PCS
	O x 6PCS
	V x 1PC



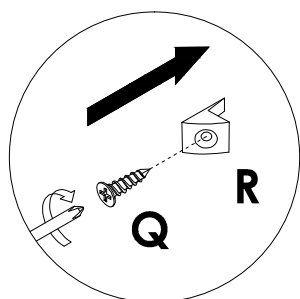
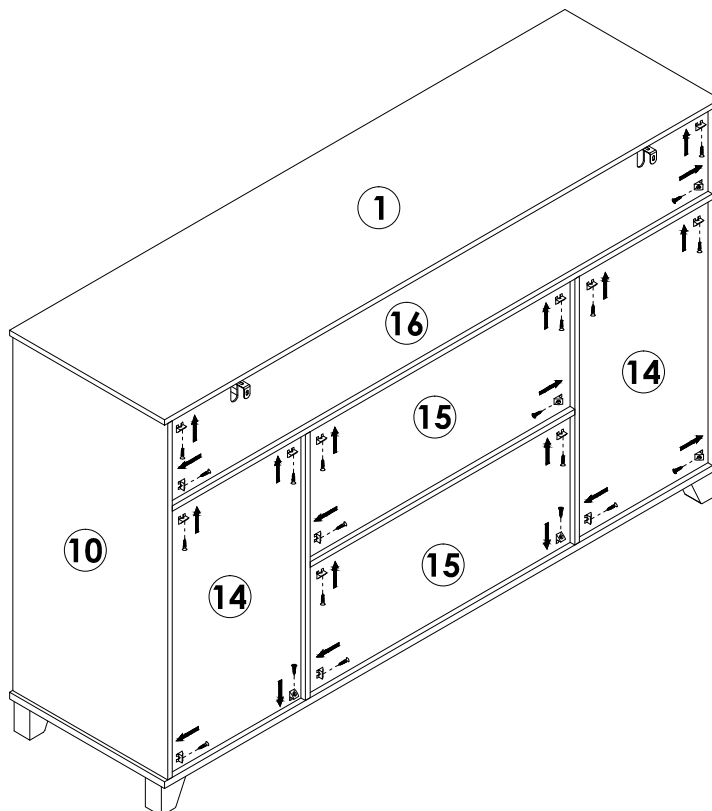
Assembly Steps(EN) / Montageschritte(DE)

STEP 24



W x 24PCS

STEP 25



Q x 20PCS



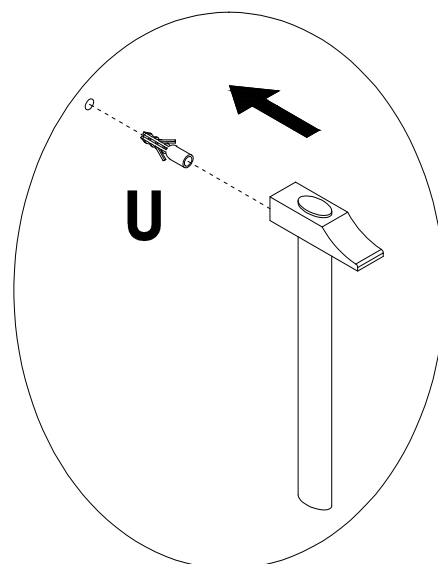
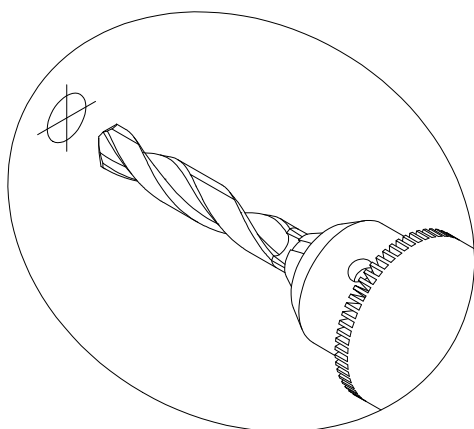
R x 20PCS

Assembly Steps(EN) / Montageschritte(DE)

STEP 26

Drill 2 holes on the wall at the required position for anti-falling device installation.

WALL



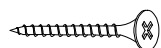
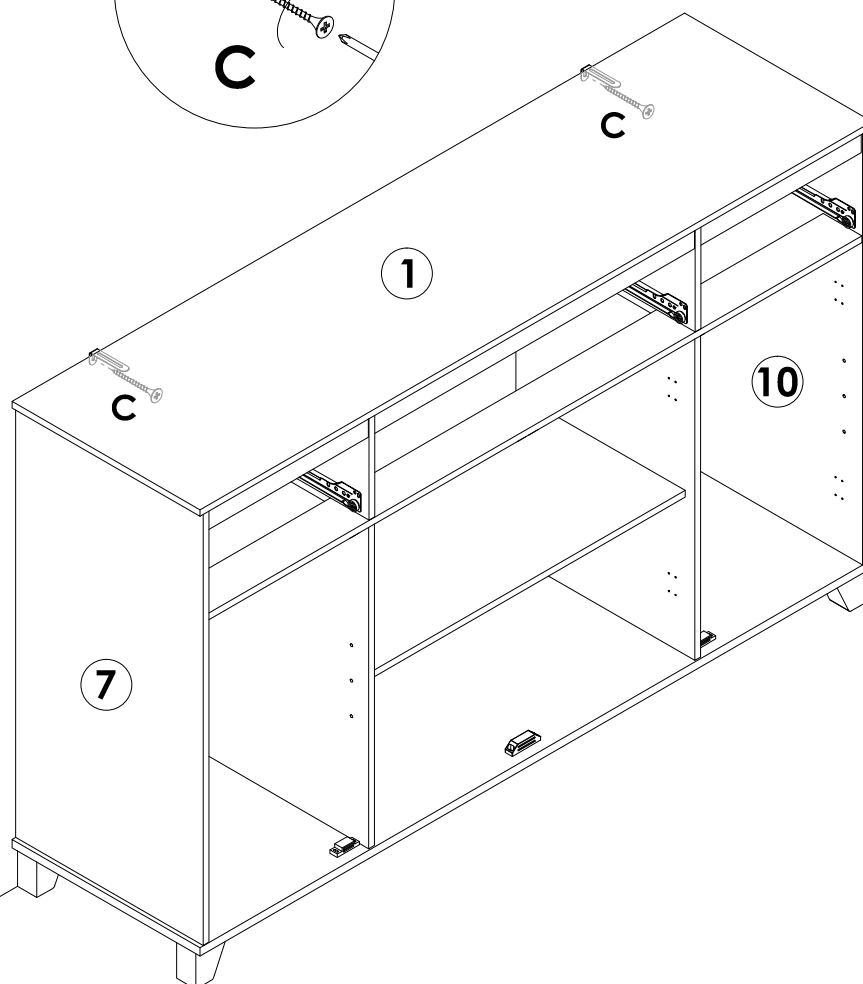
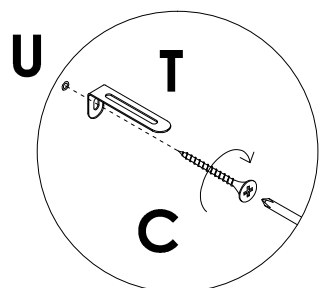
U x 2PCS

Assembly Steps(EN) / Montageschritte(DE)

STEP 27

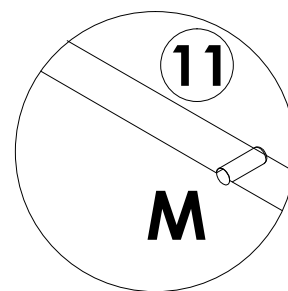
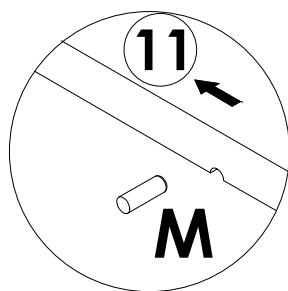
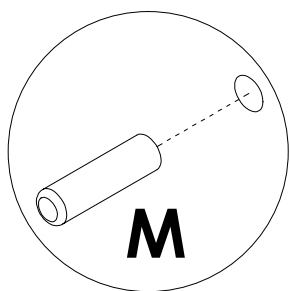
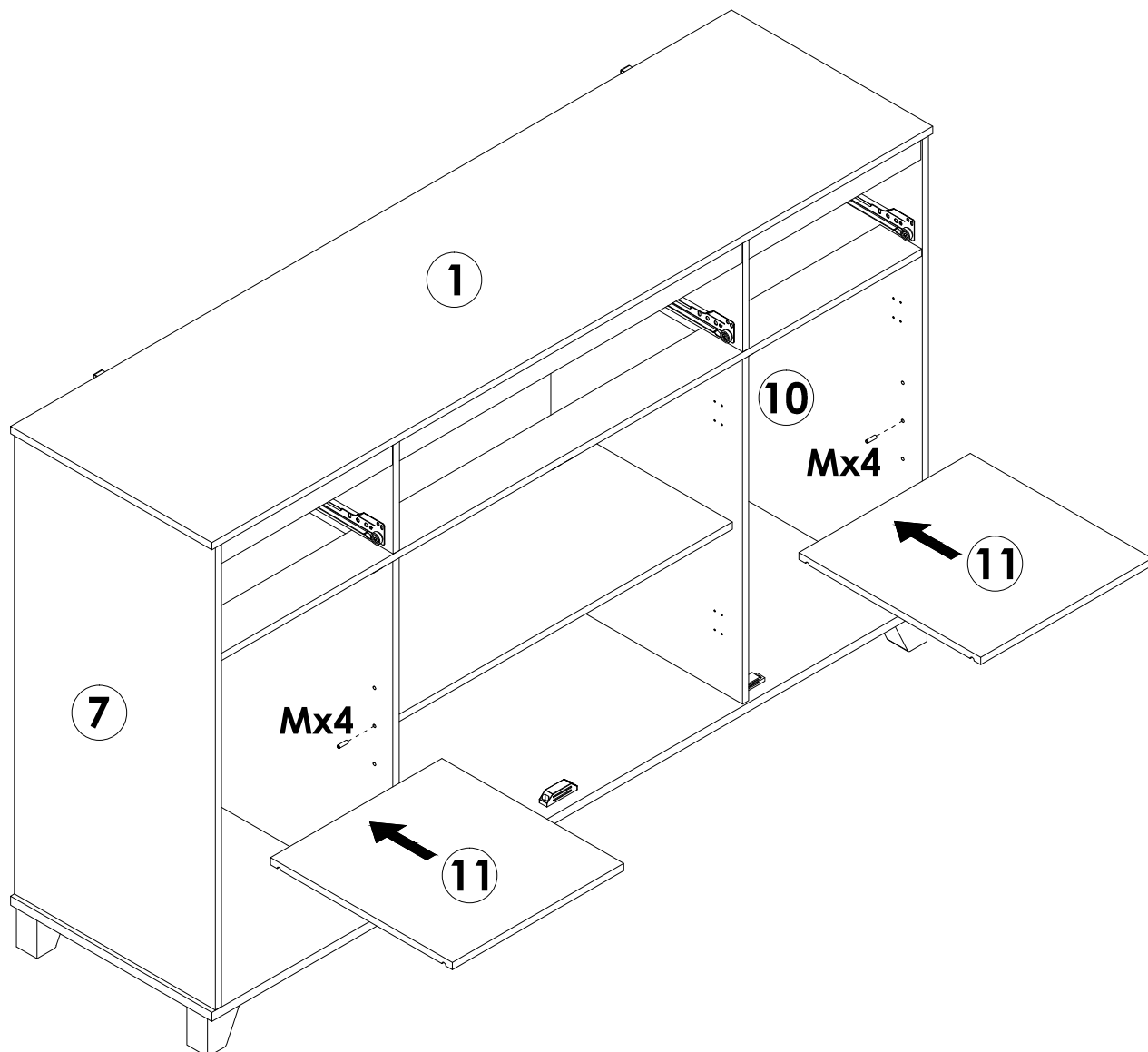
Move the cabinet to the required position, use the " C " long screw to fix the cabinet to the wall.

WALL



C x 2PCS

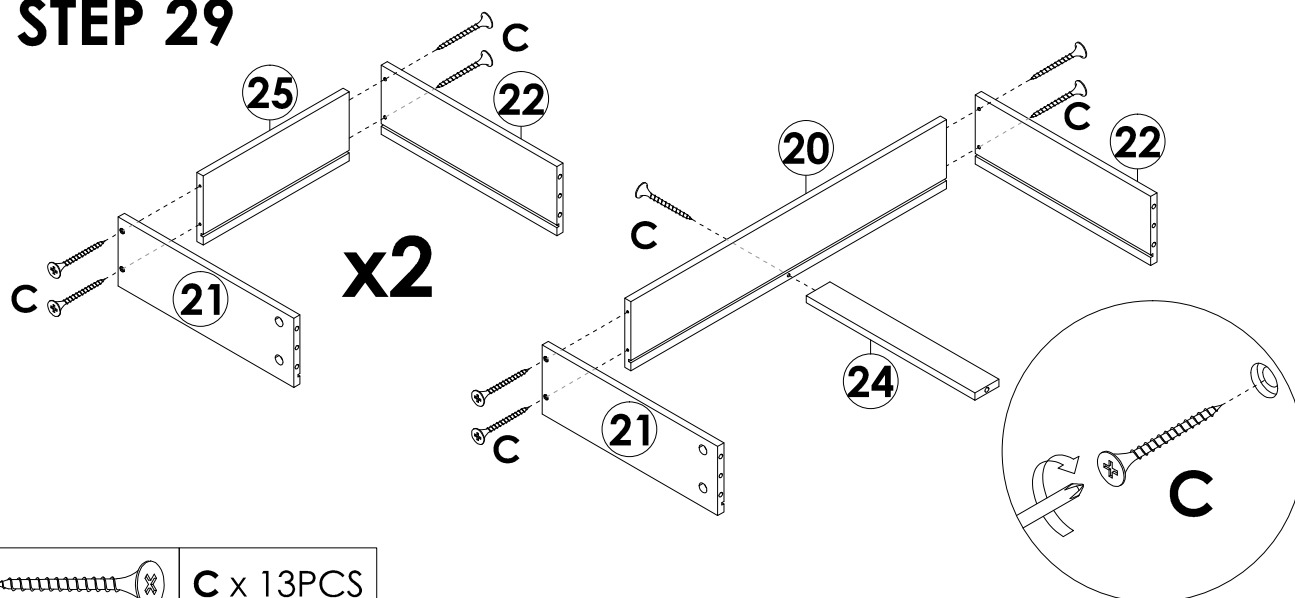
STEP 28



M x 8PCS

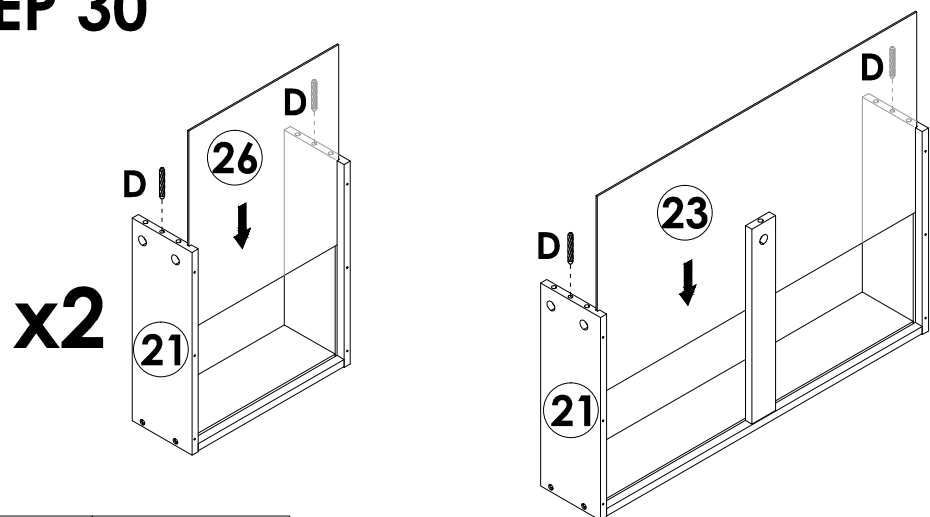
Assembly Steps(EN) / Montageschritte(DE)

STEP 29



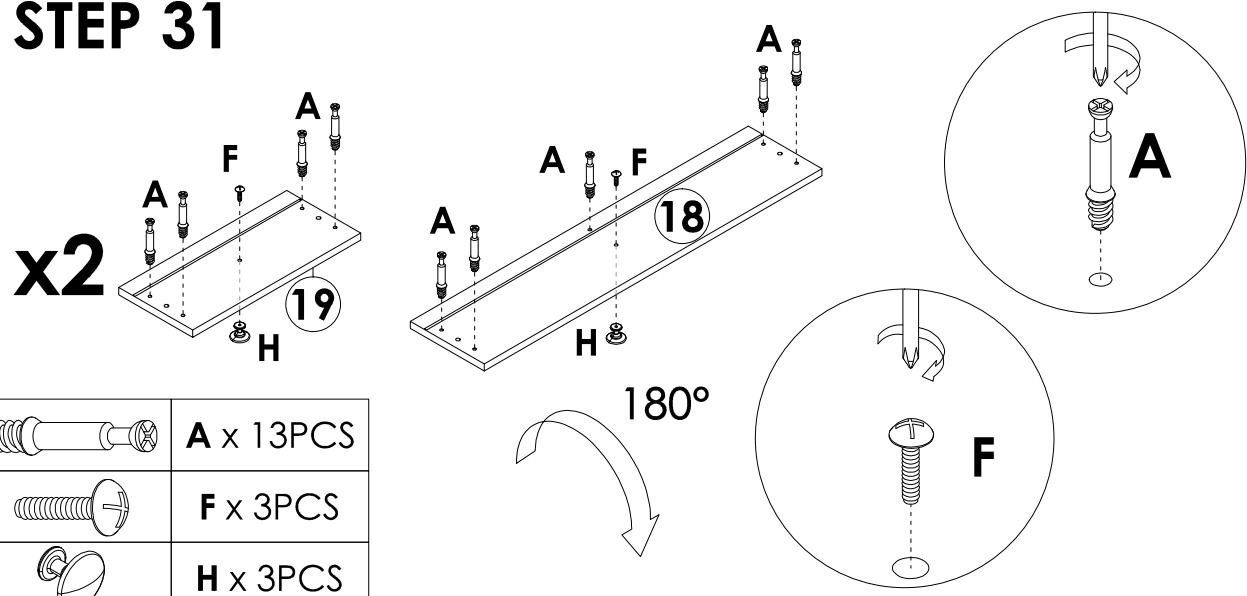
 C x 13PCS

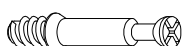


STEP 30



 D x 6PCS

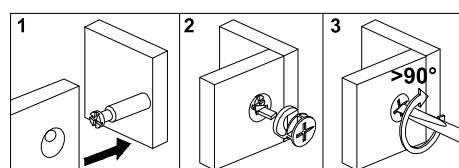
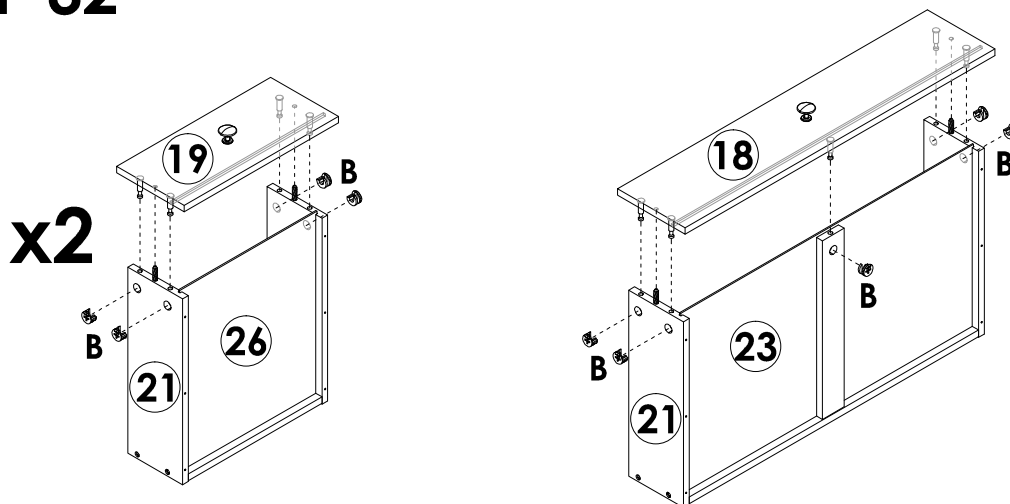
STEP 31



	A x 13PCS
	F x 3PCS
	H x 3PCS

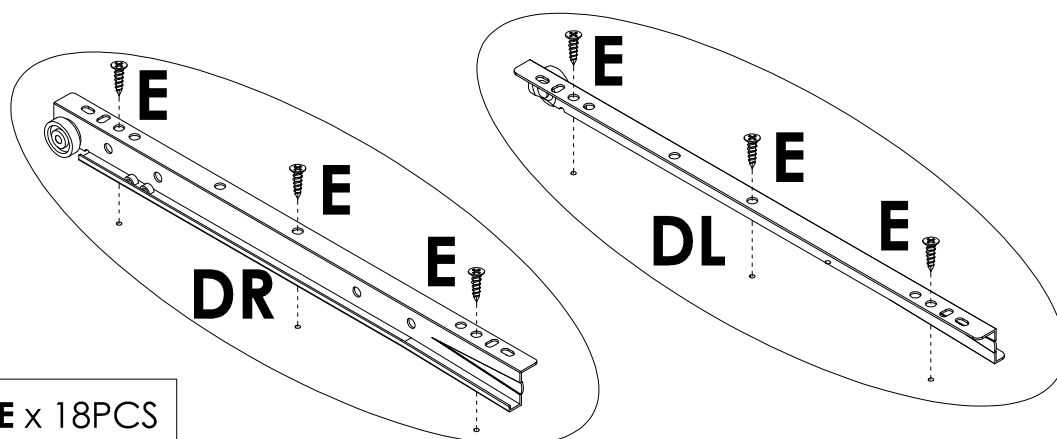
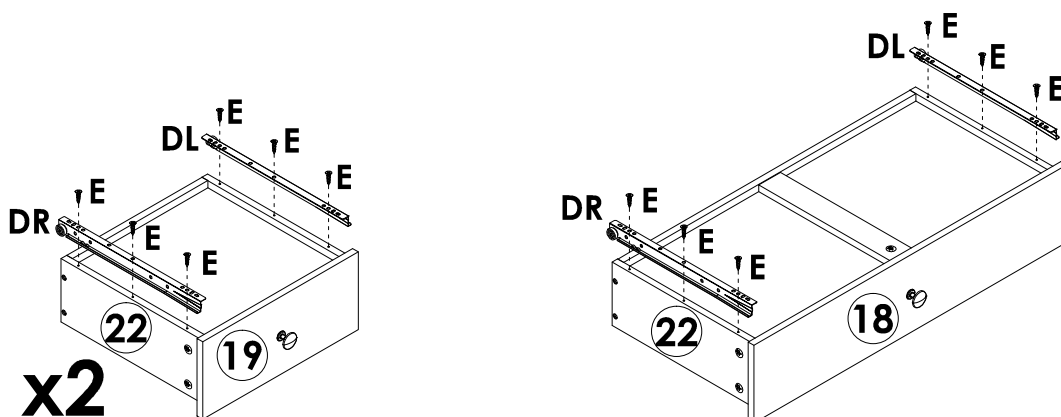
Assembly Steps(EN) / Montageschritte(DE)

STEP 32



B x 13PCS

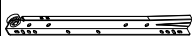
STEP 33



E x 18PCS

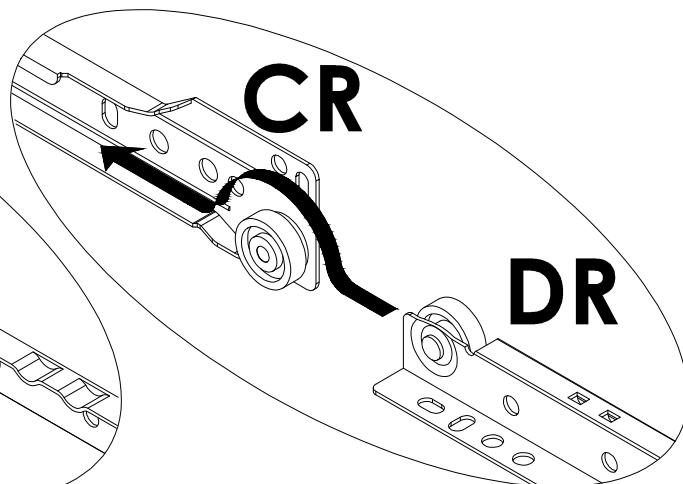
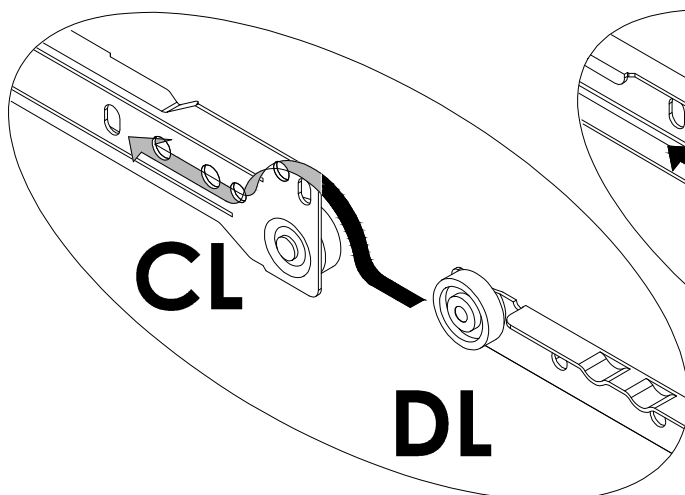
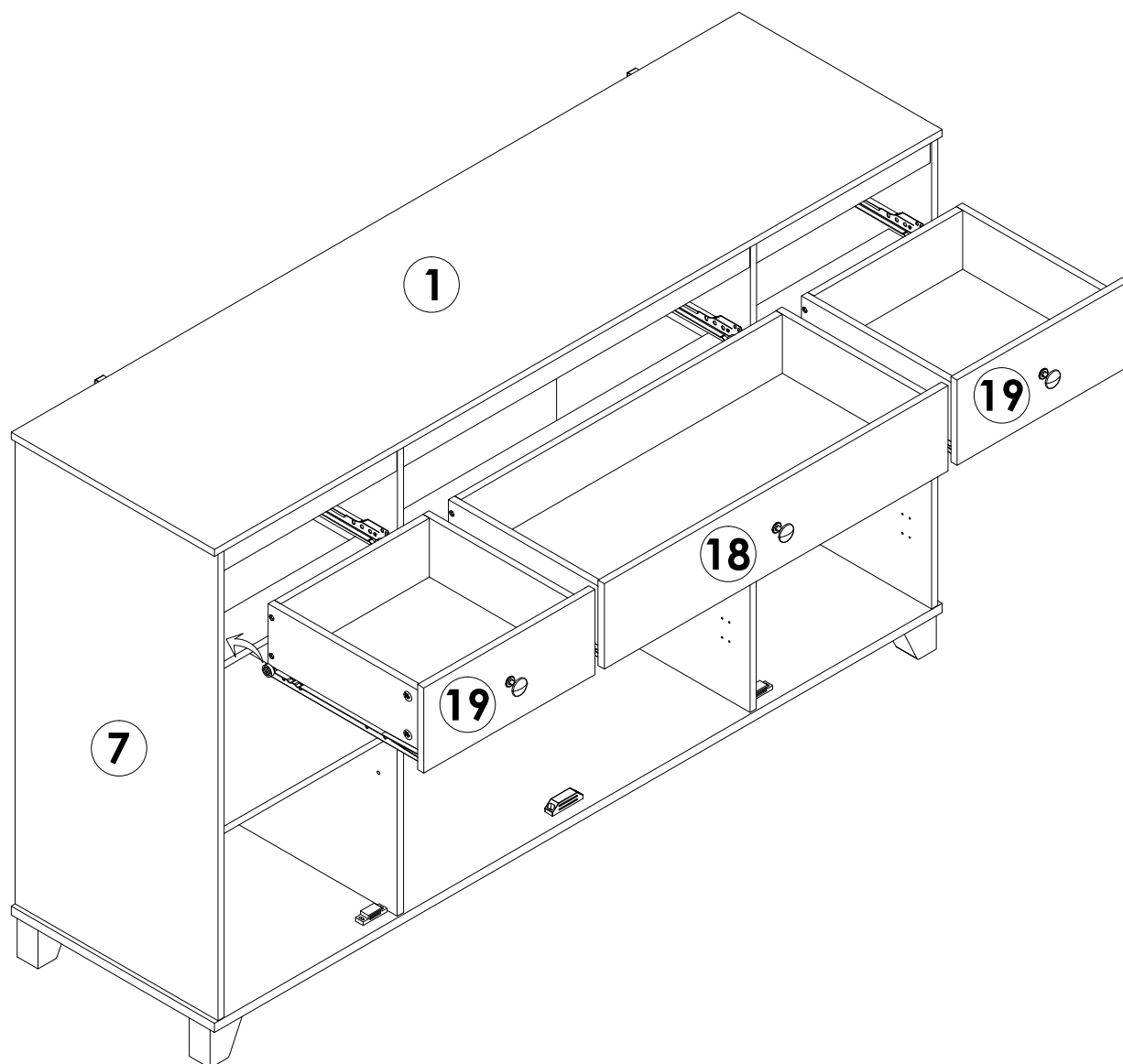


DL x 3PCS

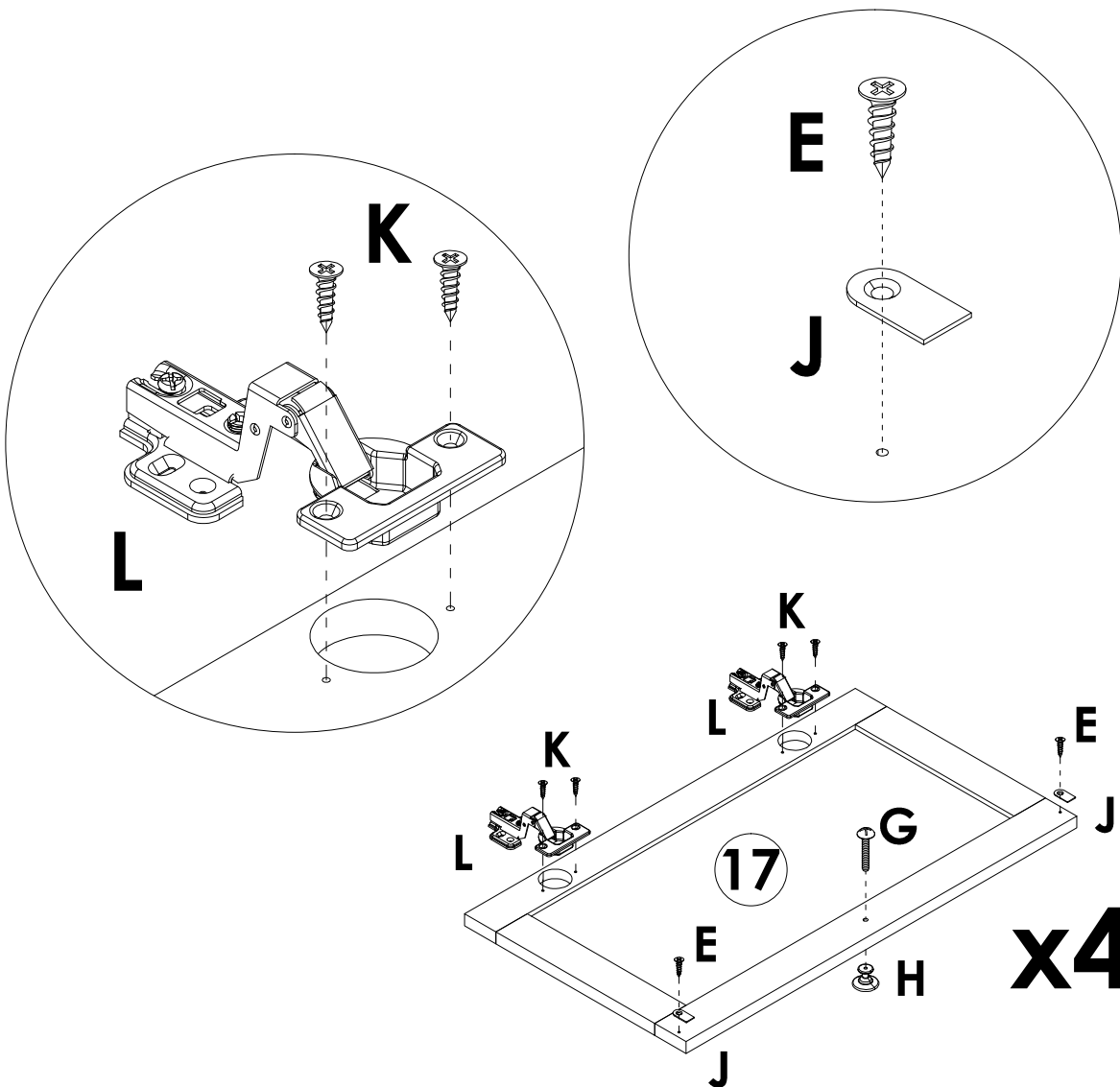



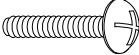




DR x 3PCS

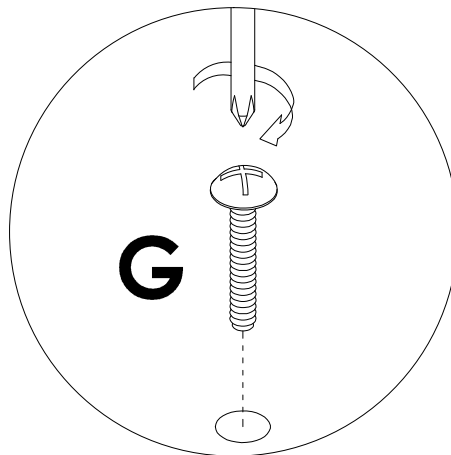
STEP 34



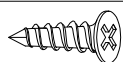
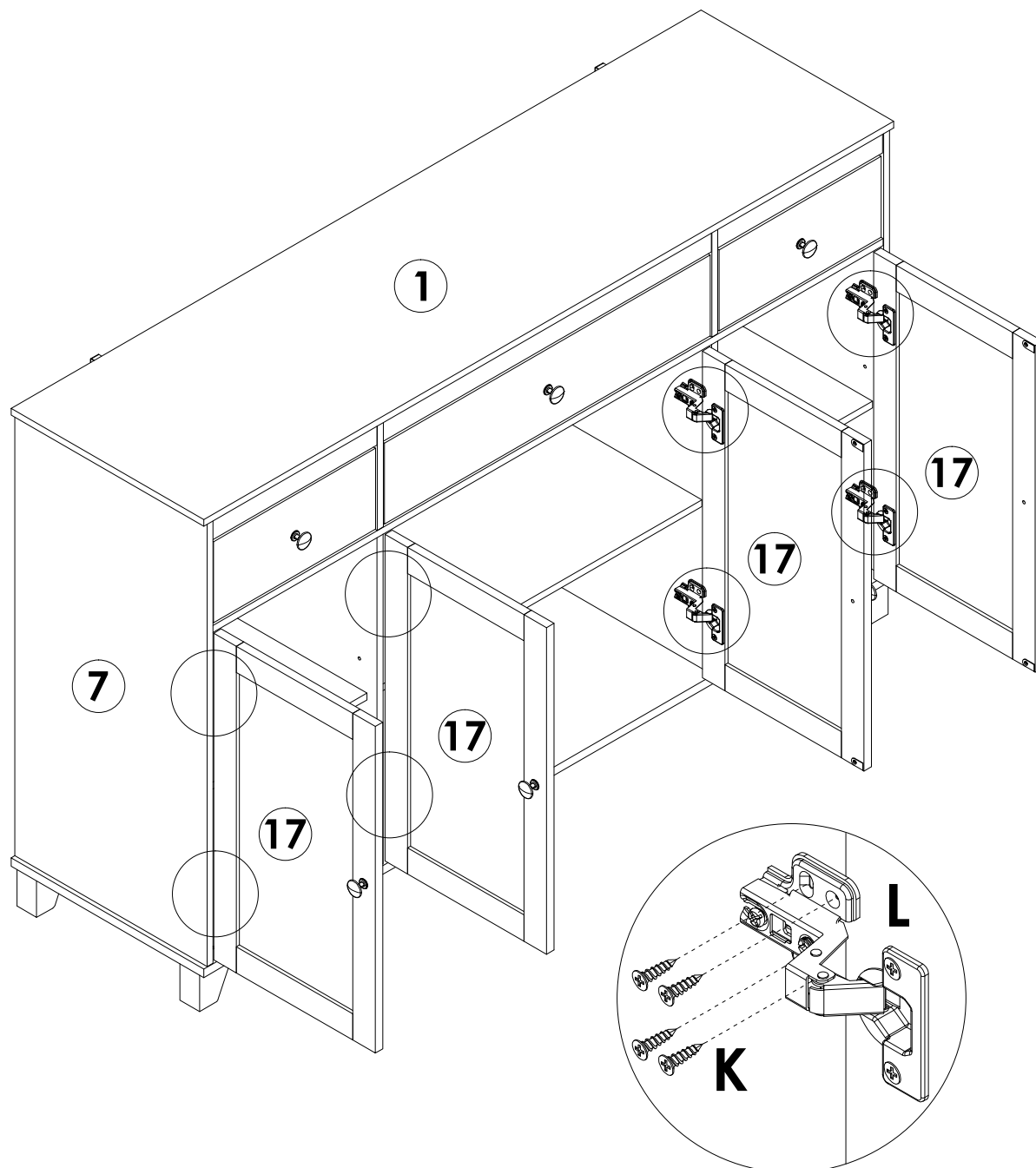
STEP 35



	E x 8PCS
	G x 4PCS
	H x 4PCS
	J x 8PCS
	K x 16PCS
	L x 8PCS



STEP 36

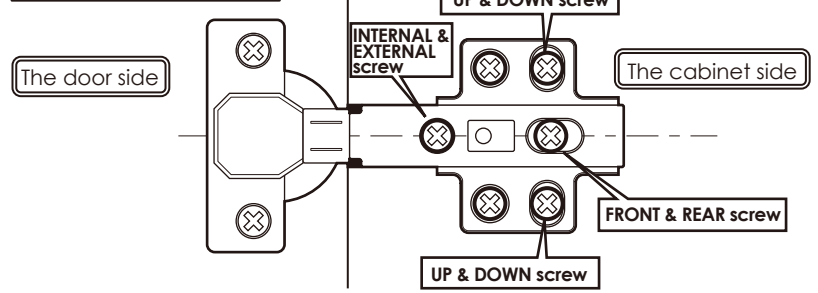


K x 32PCS

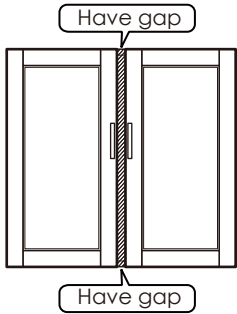
The ways to adjust the door

- Before adjusting the hinge, please check whether the cabinet is skewed.
- If the skew can not be repaired, please remove the anti-tipping device first, then adjust the cabinet to vertical position.
- Please adjust the hinge with the door open.
- Please operate it with more than 2 people, one person holds the door and the other one adjusts the screw.

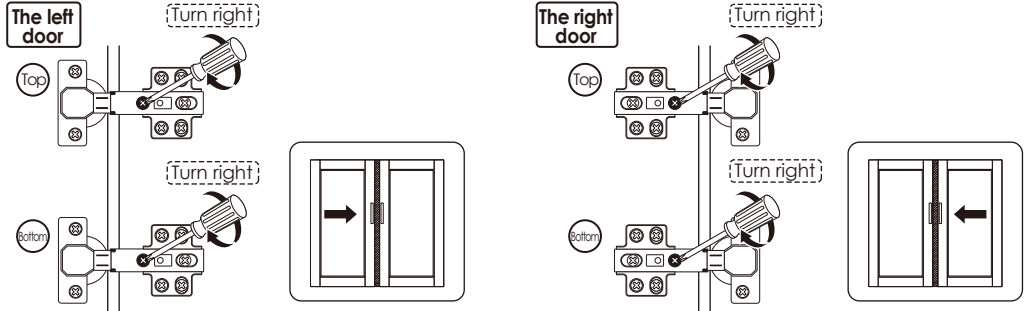
Components Name



Obvious gaps between doors or Doors don't look closed



- 1 Turn "internal & external screw" to the right can make the door approach inside. Please adjust the doors little by little.



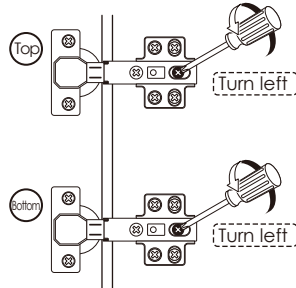
※ If the 2 doors are overlap, please turn the "internal & external screw" to the left.

When door is crooked



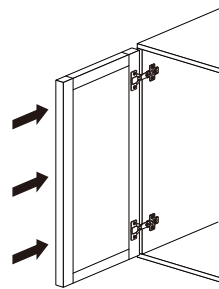
Please take the following steps to adjust first.

- 1 Rotate the "front and rear screws" to the left

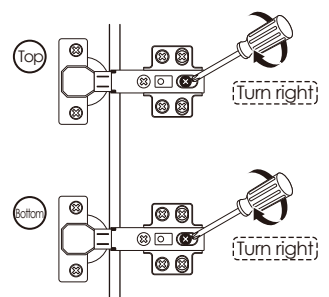


※ After adjusting the "front and rear screw", the door still does not change, please turn the "internal & external screw" to the right slightly.

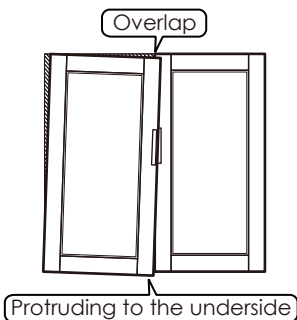
- 2 Push the door to the cabinet



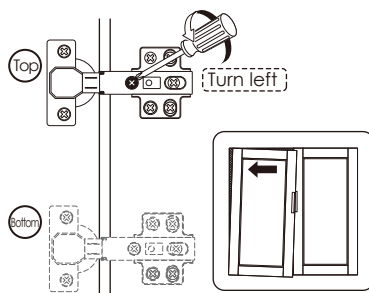
- 3 Rotate the "front and rear screws" to the right



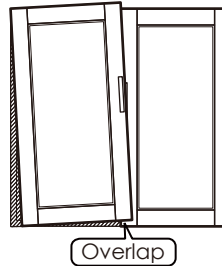
When door is leaning



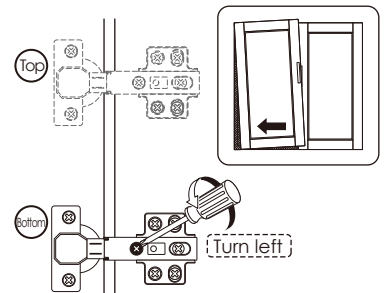
- 1 Turn "internal & external screw" to the left can make the top of the door tilted outward.



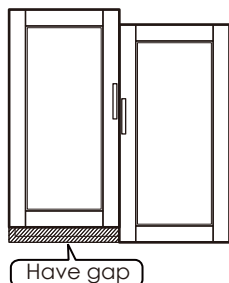
Protruding to the upside



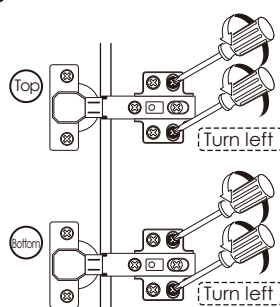
- 1 Turn "internal & external screw" to the left can make the bottom of the door tilted outward.



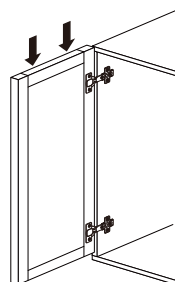
When the door is higher on top



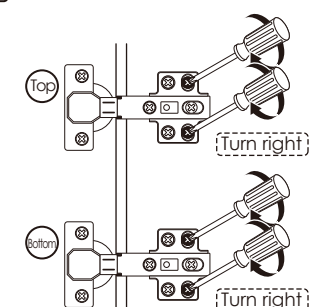
- 1 Turn "up & down screw" to the left



- 2 Lower the door's height so that 2 doors are of the same height.



- 3 Turn "up & down screw" to the right



※ If the door is lower on bottom, please lift up the left door slightly on step 2

WARNING



Children have died from furniture tipover. To reduce the risk of furniture tipover:

- **ALWAYS** install Anti-tip device provided.
- For use with televisions weighing 30 lb or less. Use with heavier televisions may result in instability causing tip-over resulting in death or serious injury.
- **NEVER** allow children to stand, climb or hang on any drawers, doors, or shelves.
- **NEVER** open more than one drawer at a time.
- Place heaviest items in the lowest drawers.

***This is a permanent label.
Do not remove!***