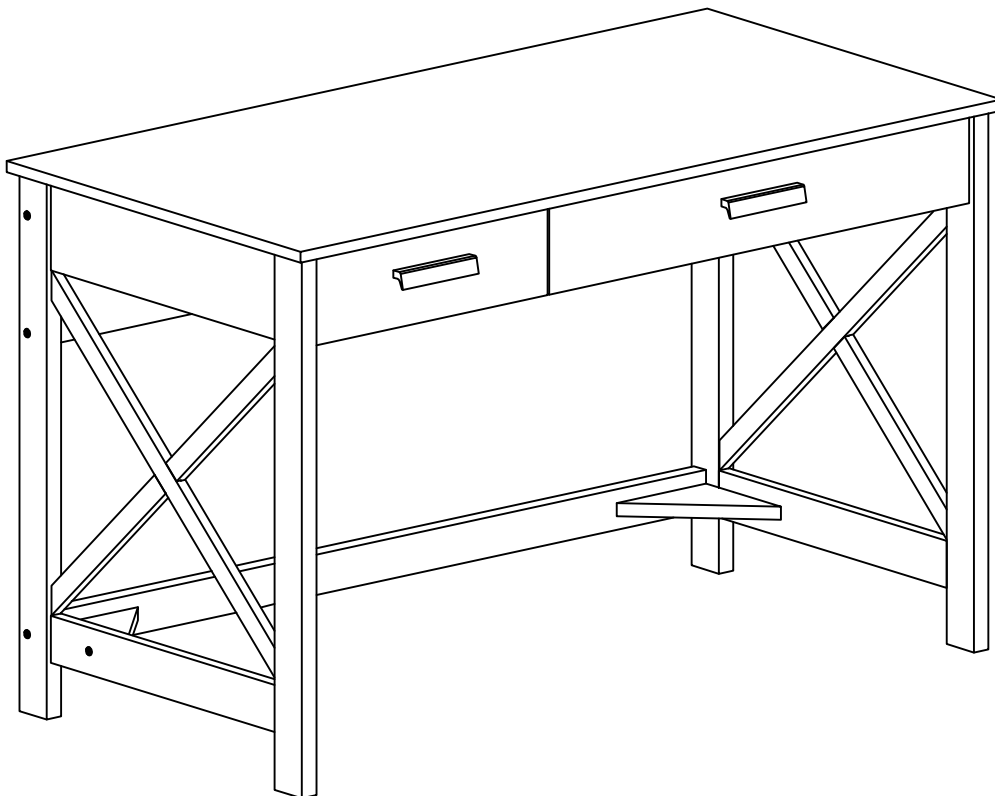


ASSEMBLY INSTRUCTIONS

Important Safety Instructions:

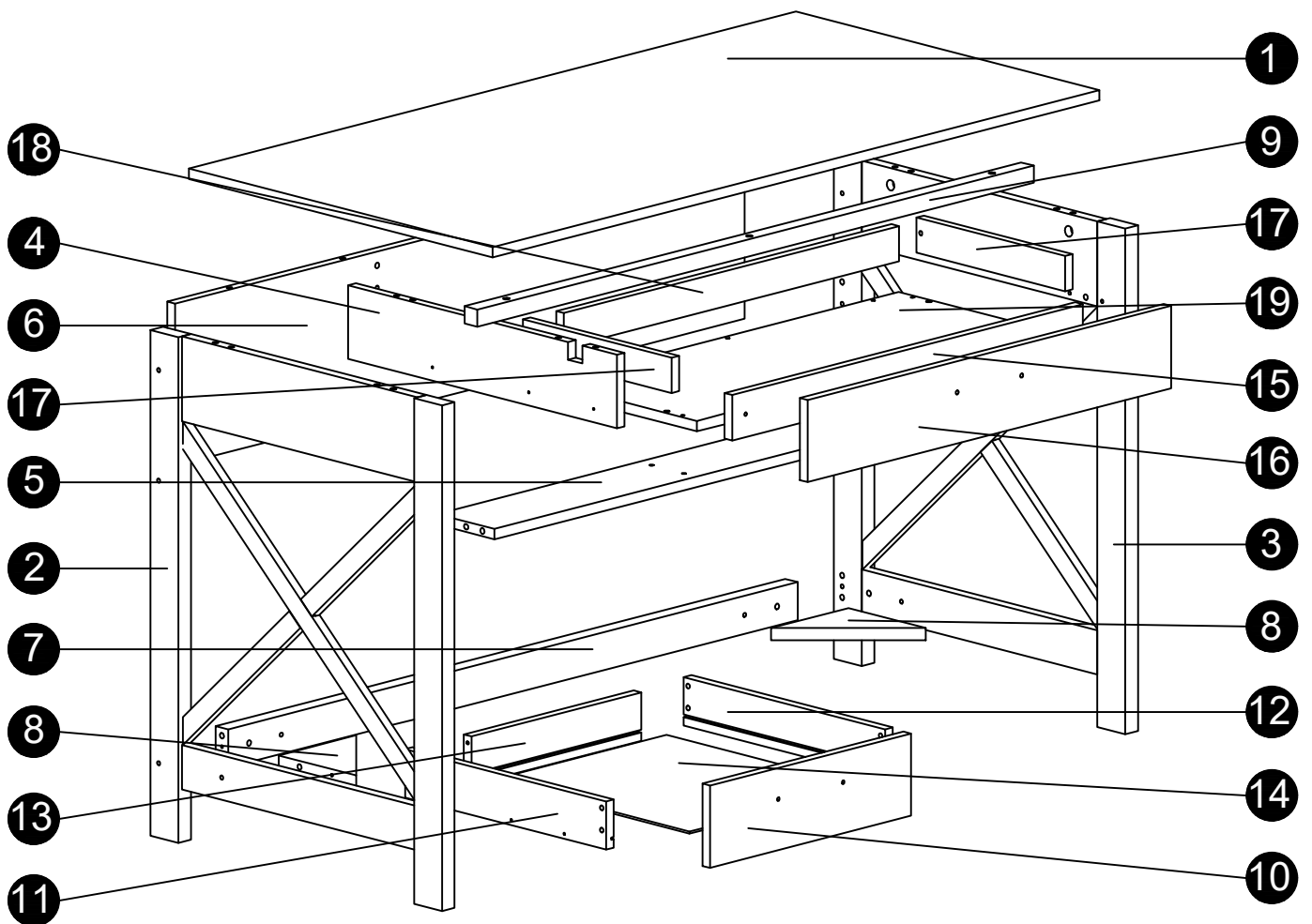
- Please read all instructions before beginning assembly
- Please make sure receive all the parcels to start the assembly
- For your safety and convenience, assembly by two people is recommended
- Use the parts and hardware lists to identify and separate each of the components included
- Save all packing materials until assembly is completed to avoid the accidental discarding of smaller parts or hardware



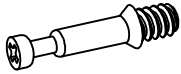



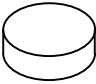
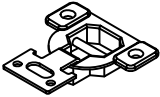

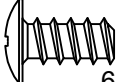
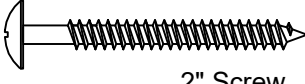


THANK YOU FOR PURCHASING

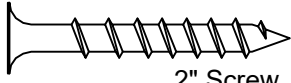
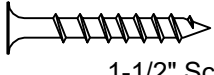


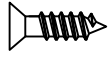
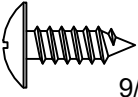

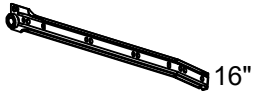

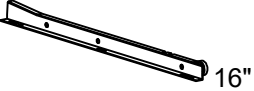
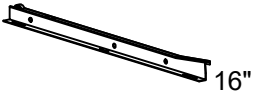


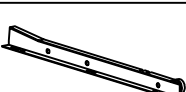
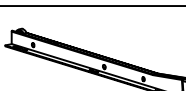
PARTS LIST

① X1	② X1	③ X1	④ X1	⑤ X1
⑥ X1	⑦ X1	⑧ X2	⑨ X1	⑩ X1
⑪ X1	⑫ X1	⑬ X1	⑭ X1	⑮ X1
⑯ X1	⑰ X2	⑱ X1	⑲ X1	

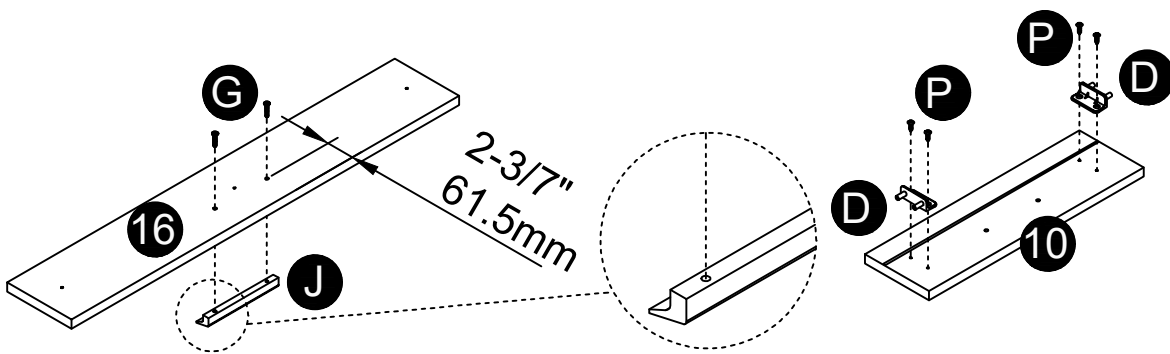
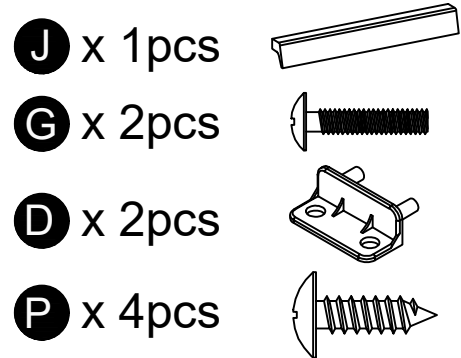
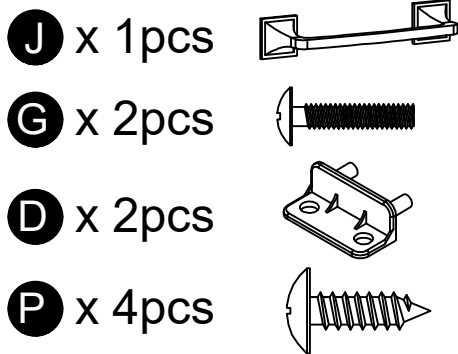


HARDWARE LIST

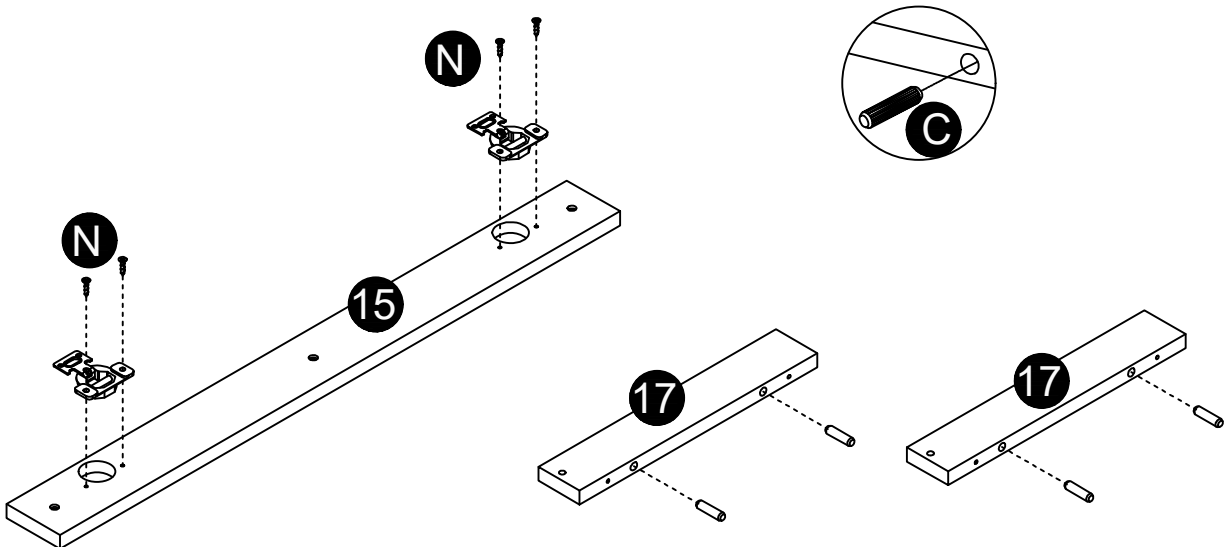
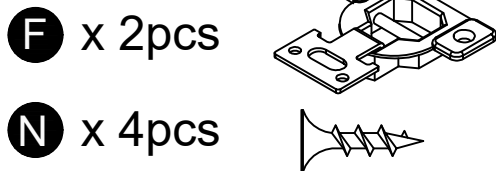
Name	Part	Qty.	Spare
A		13	1
B		13	1
C		28	1
D		2	
E		2	
F		2	
G	 3/4" Bolt	4	1
H	 6/13" Screw	2	
I	 2" Screw	11	
J	AK1801 	2	
	AK1834 		

Name	Part	Qty.	Spare
K	 2" Screw	2	
L	 1-1/2" Screw	16	
M	 1" Screw	3	
N	 5/8" Screw	4	
O	 1/2" Screw	16	2
P	 9/16" Screw	4	
Q	 1/2" Screw	4	
R	 16"	1	
S	 16"	1	
T	 16"	1	
U	 16"	1	
V	 14"	1	
W	 14"	1	
X	 14"	1	
Y	 14"	1	

STEP 1

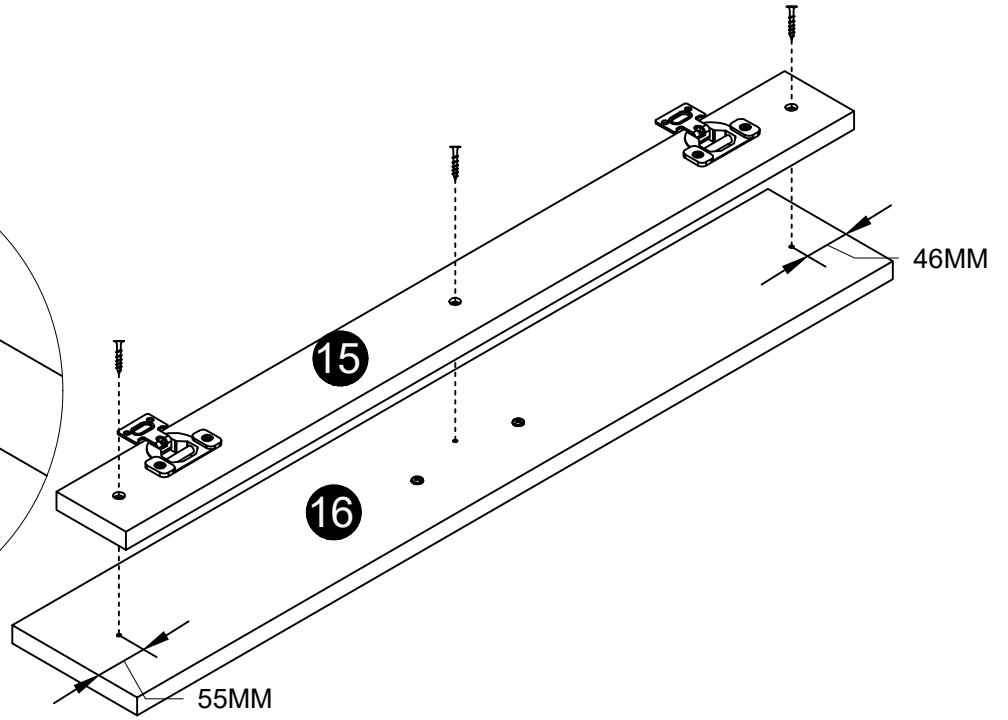
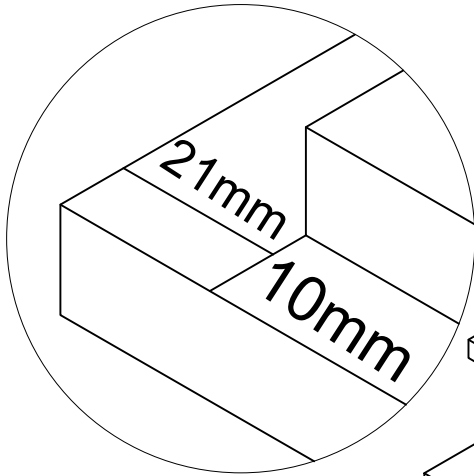


STEP 2



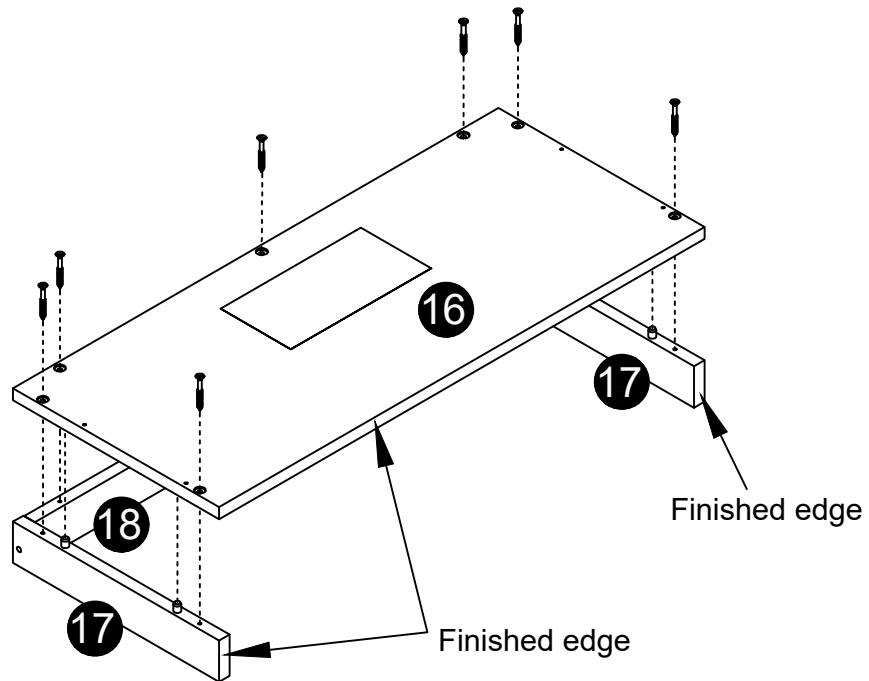
STEP 3

M x 3pcs  1" Screw



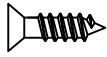
STEP 4

L x 7pcs  1-1/2" Screw

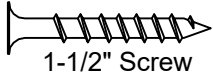


STEP 5

○ x 4pcs

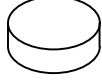


L x 2pcs

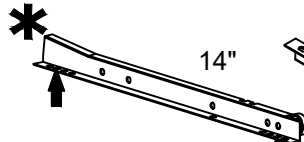


1-1/2" Screw

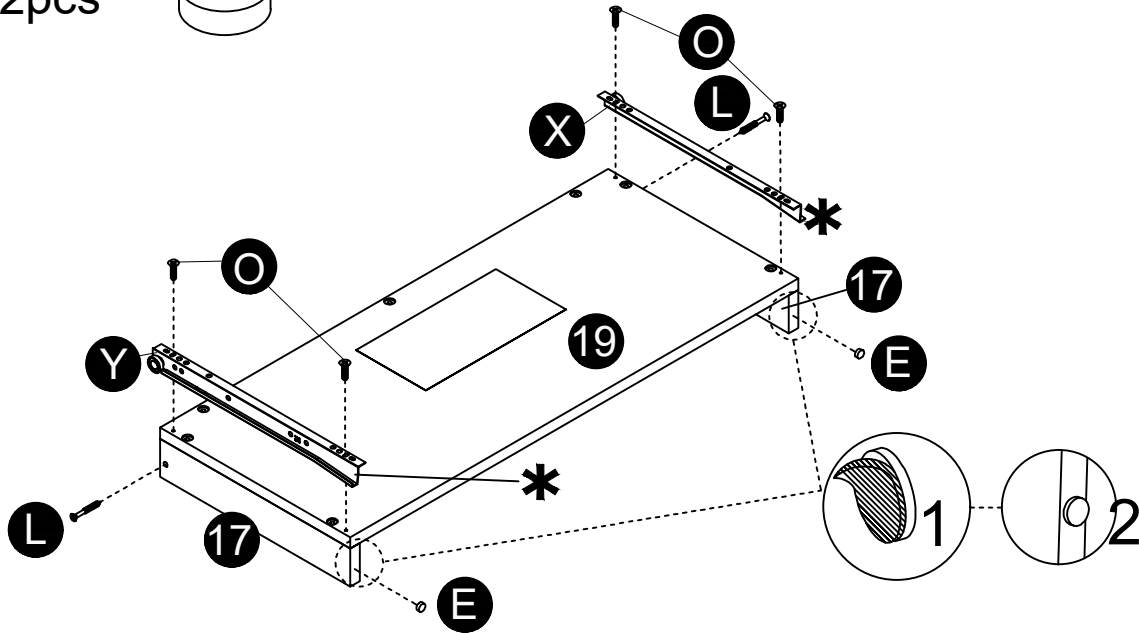
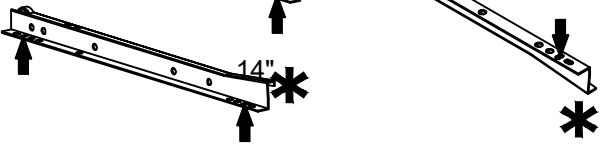
E x 2pcs



X x 1pcs

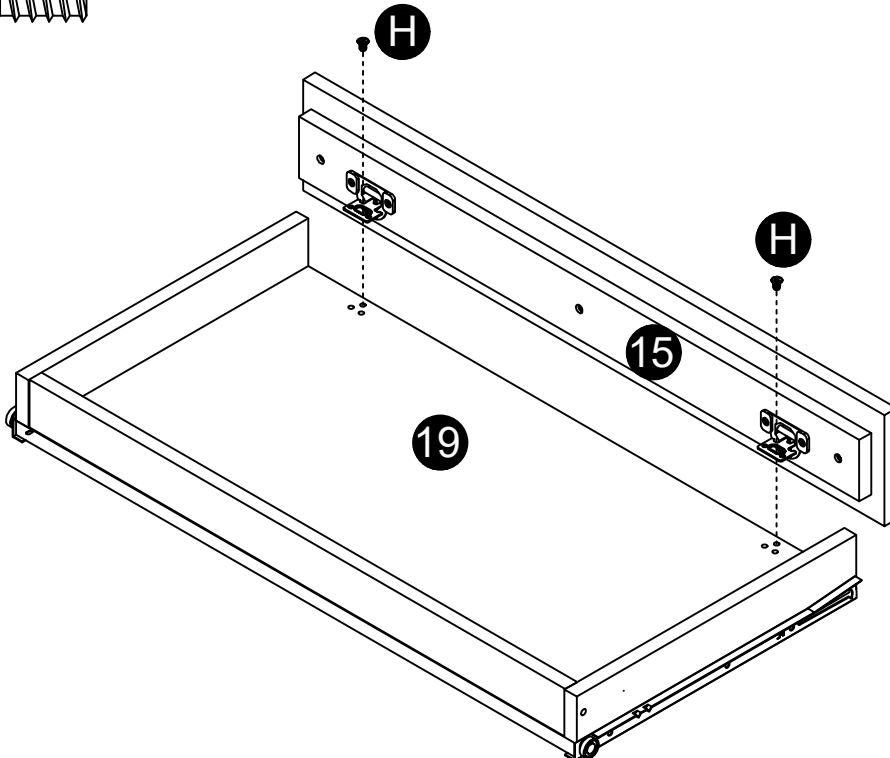


Y x 1pcs



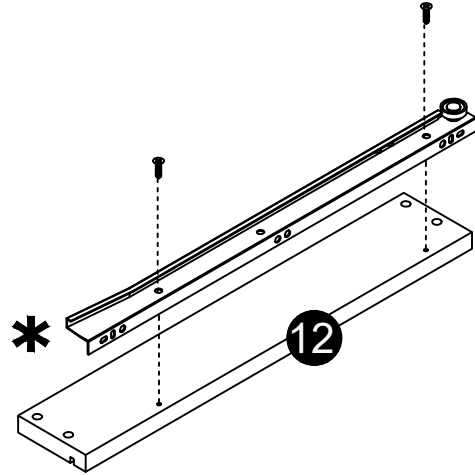
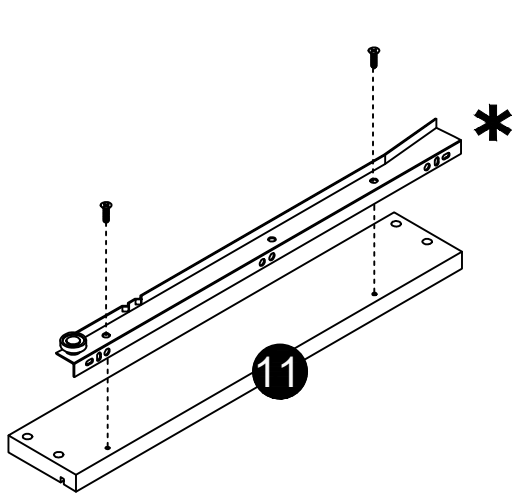
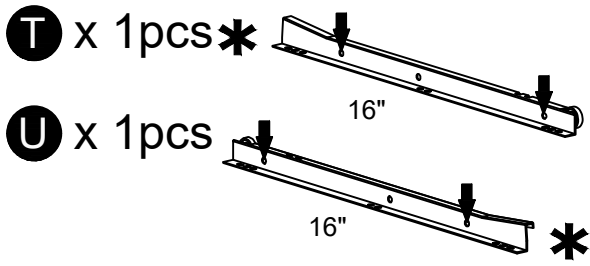
STEP 6

H x 2pcs



STEP 7

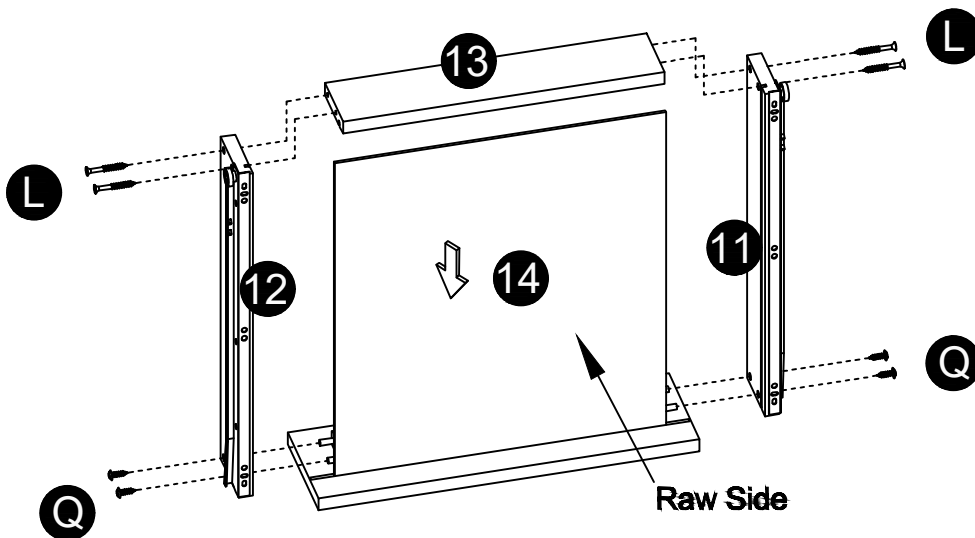
○ x 4pcs 



STEP 8

Q x 4pcs 

L x 4pcs 
1-1/2" Screw



STEP 9

J x 1pcs



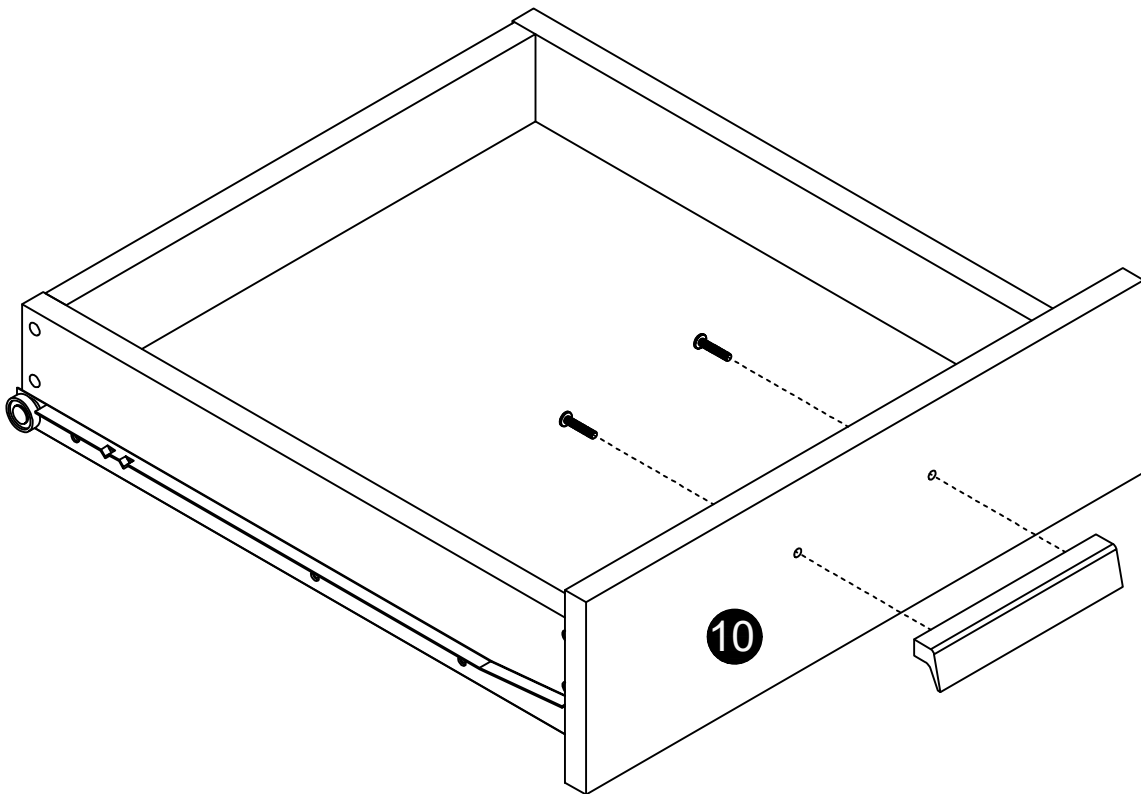
G x 2pcs



J x 1pcs

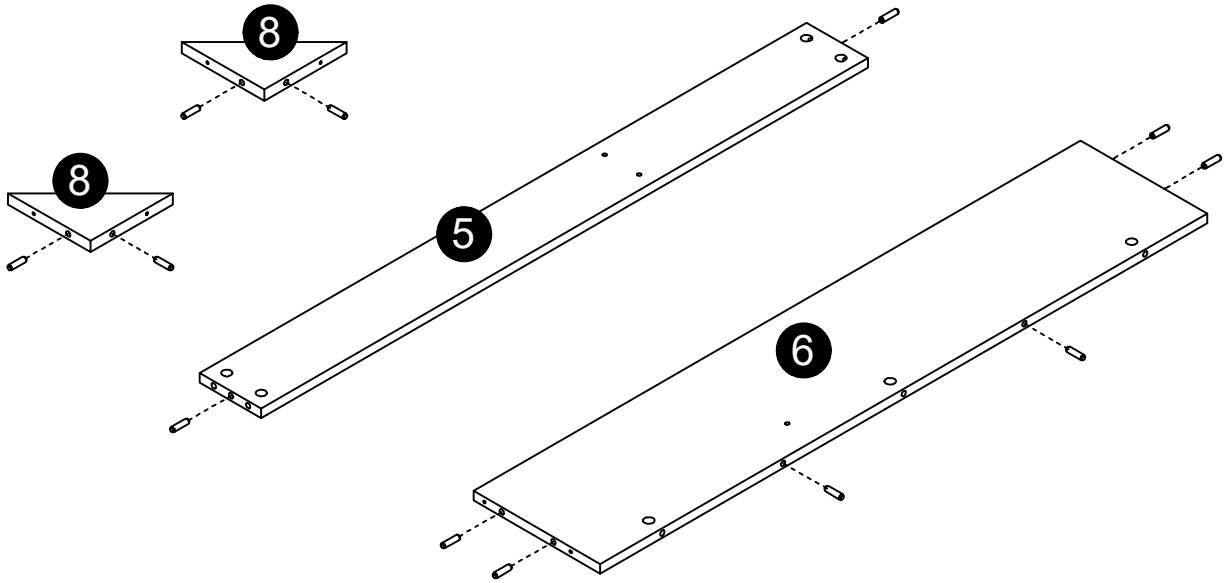
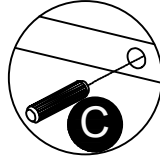


G x 2pcs




STEP 11

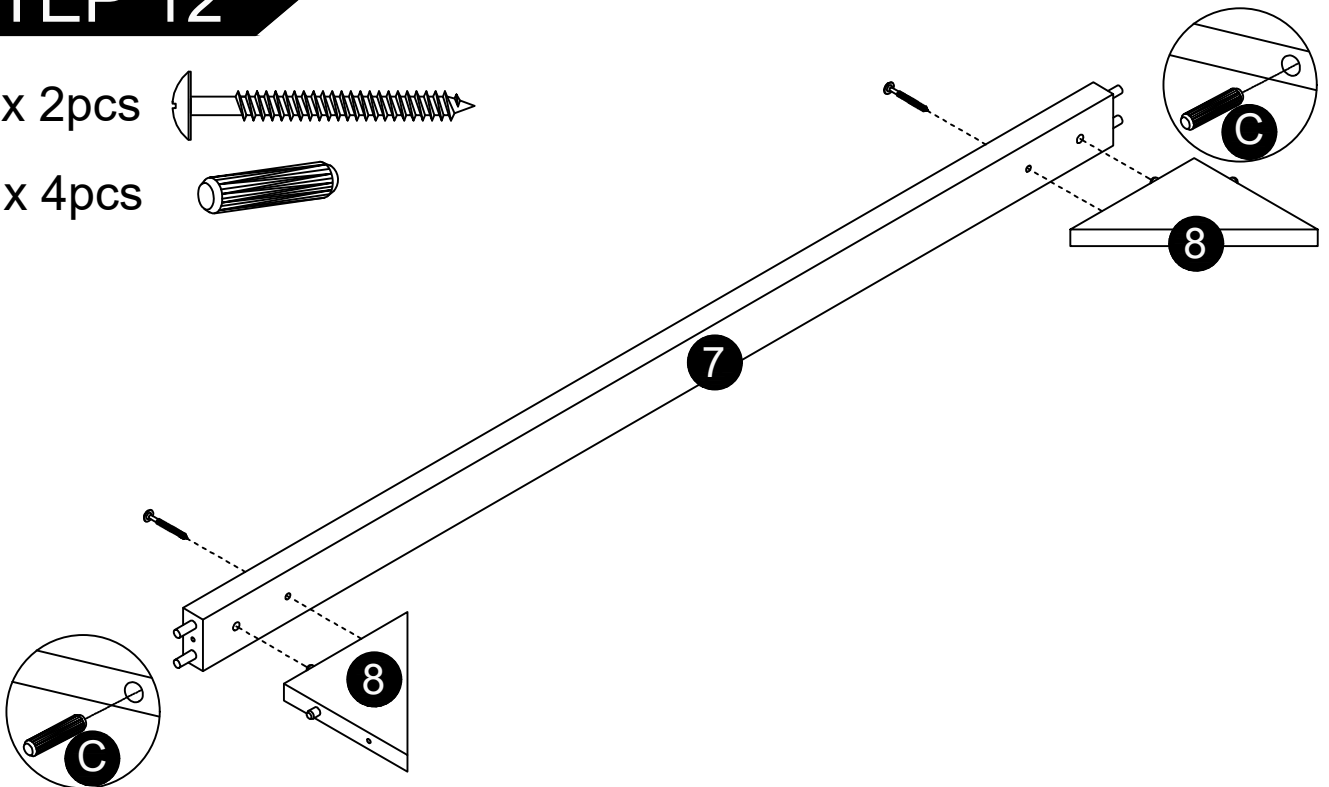
C x 12pcs 



STEP 12

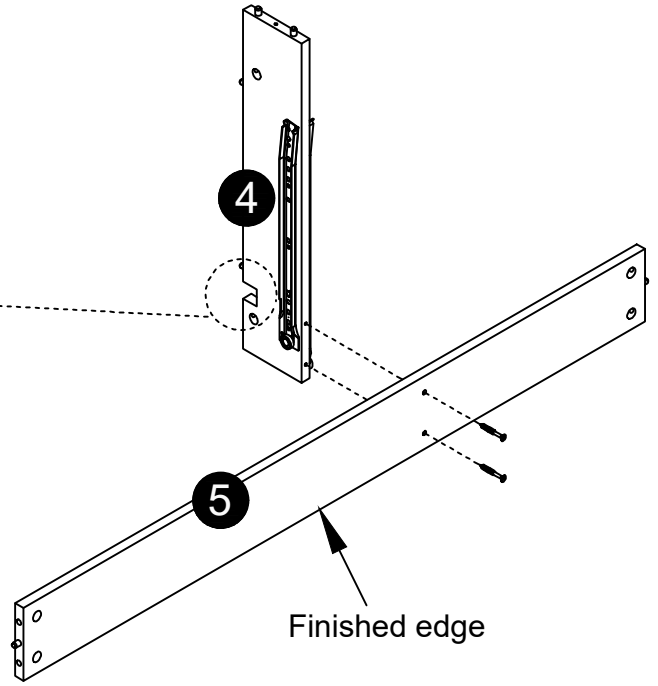
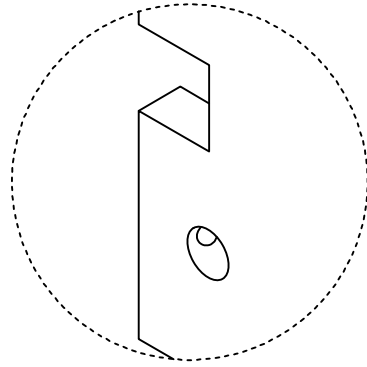
I x 2pcs 

C x 4pcs 



STEP 13

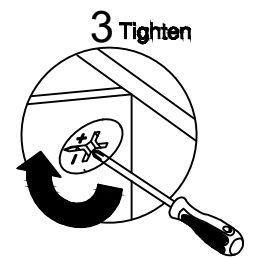
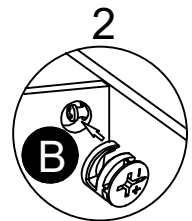
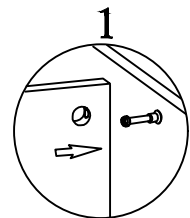
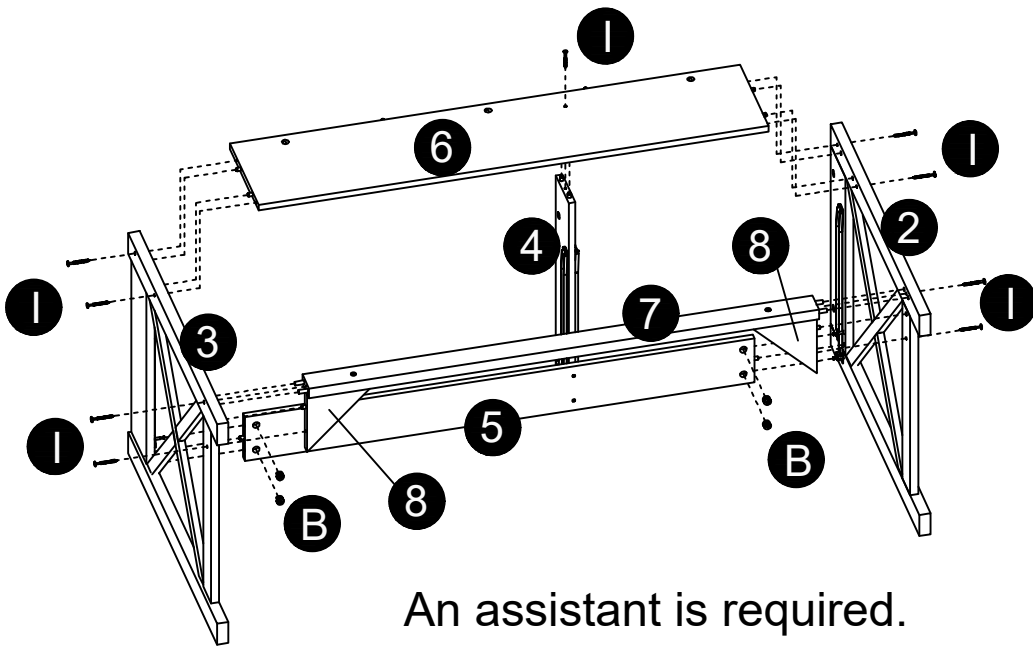
K x 2pcs
2" Screw



STEP 14

I x 9pcs

B x 4pcs



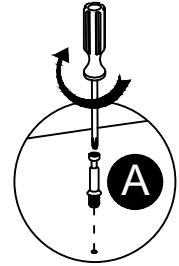
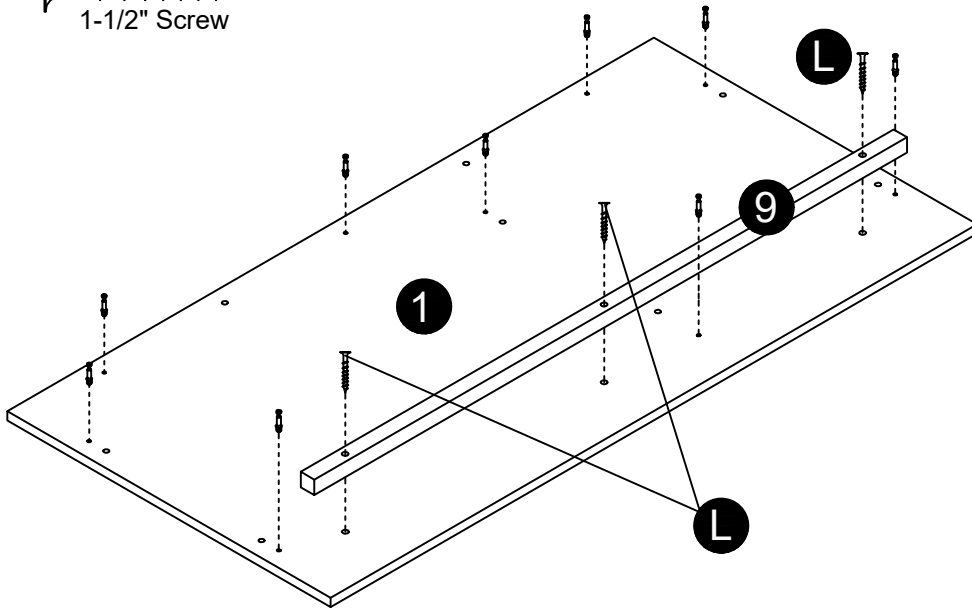
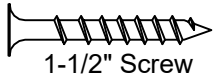
An assistant is required.

STEP 15

A x 9pcs



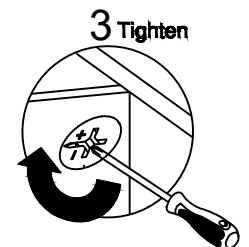
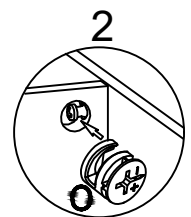
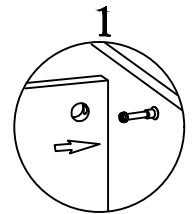
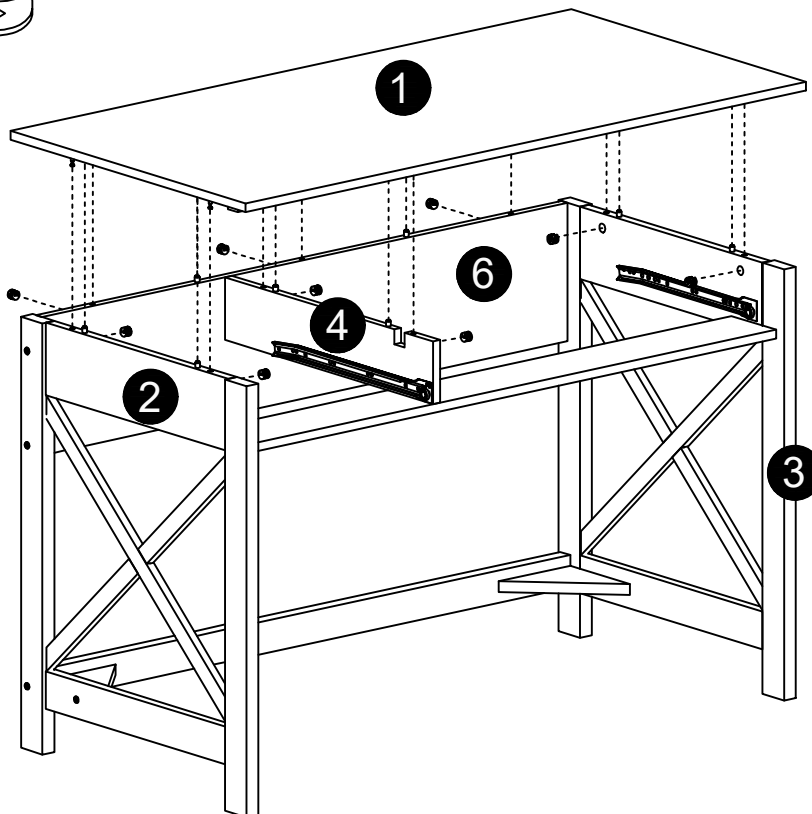
L x 3pcs



STEP 16

With assistant carefully stand unit up.

B x 9pcs



STEP 17

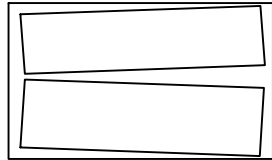
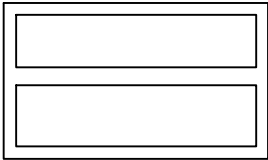
- Move unit to final location.
- Adjust drawer fronts as shown below.

Step1—Loosen screws on back of drawer front brackets as shown.

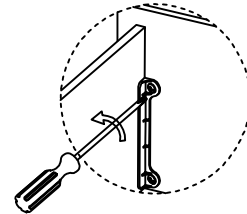
Step2—Position drawer front as required.

Step3—Tighten screws while holding drawer front in position.

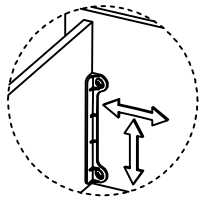
DRAWER FRONT VIEW



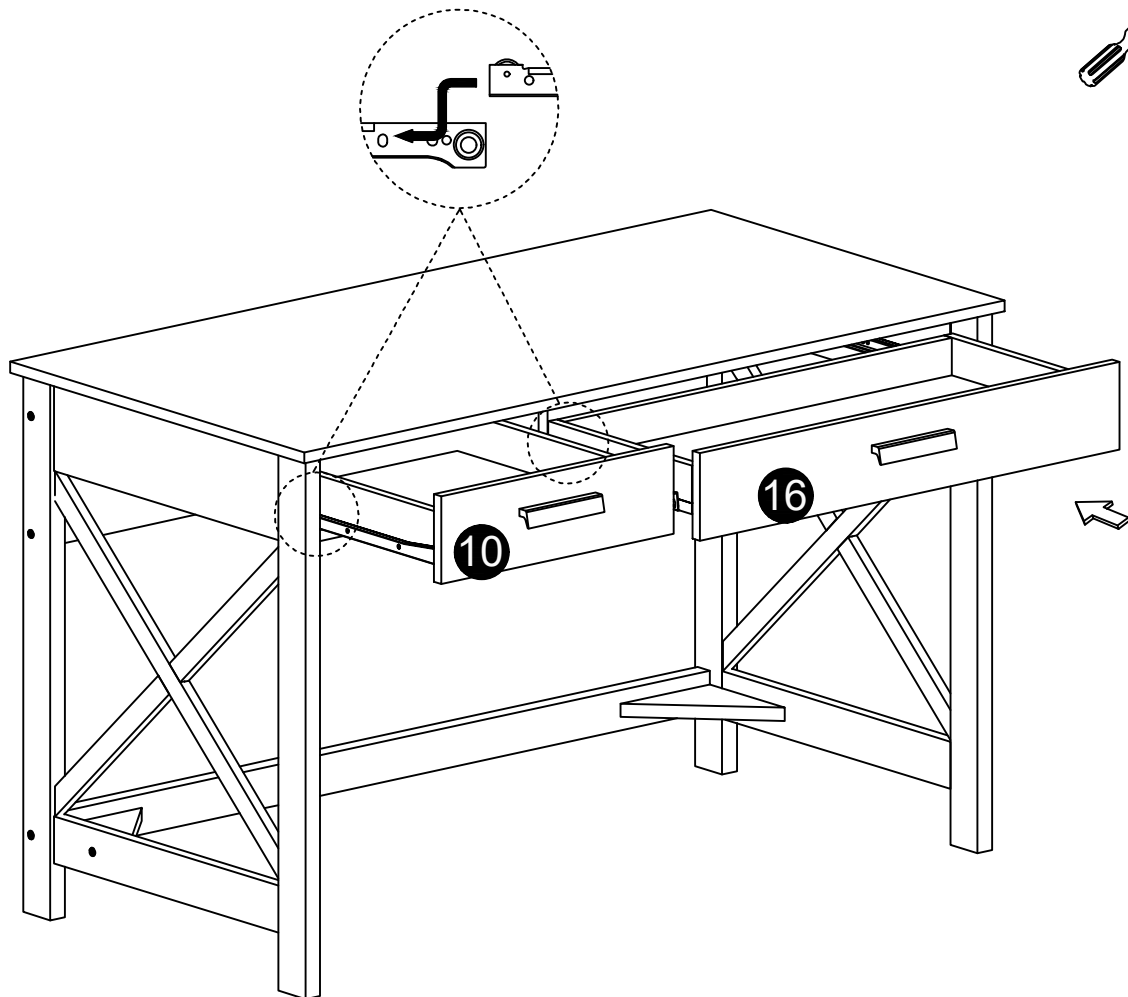
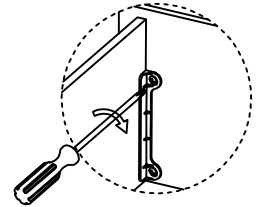
STEP 1.



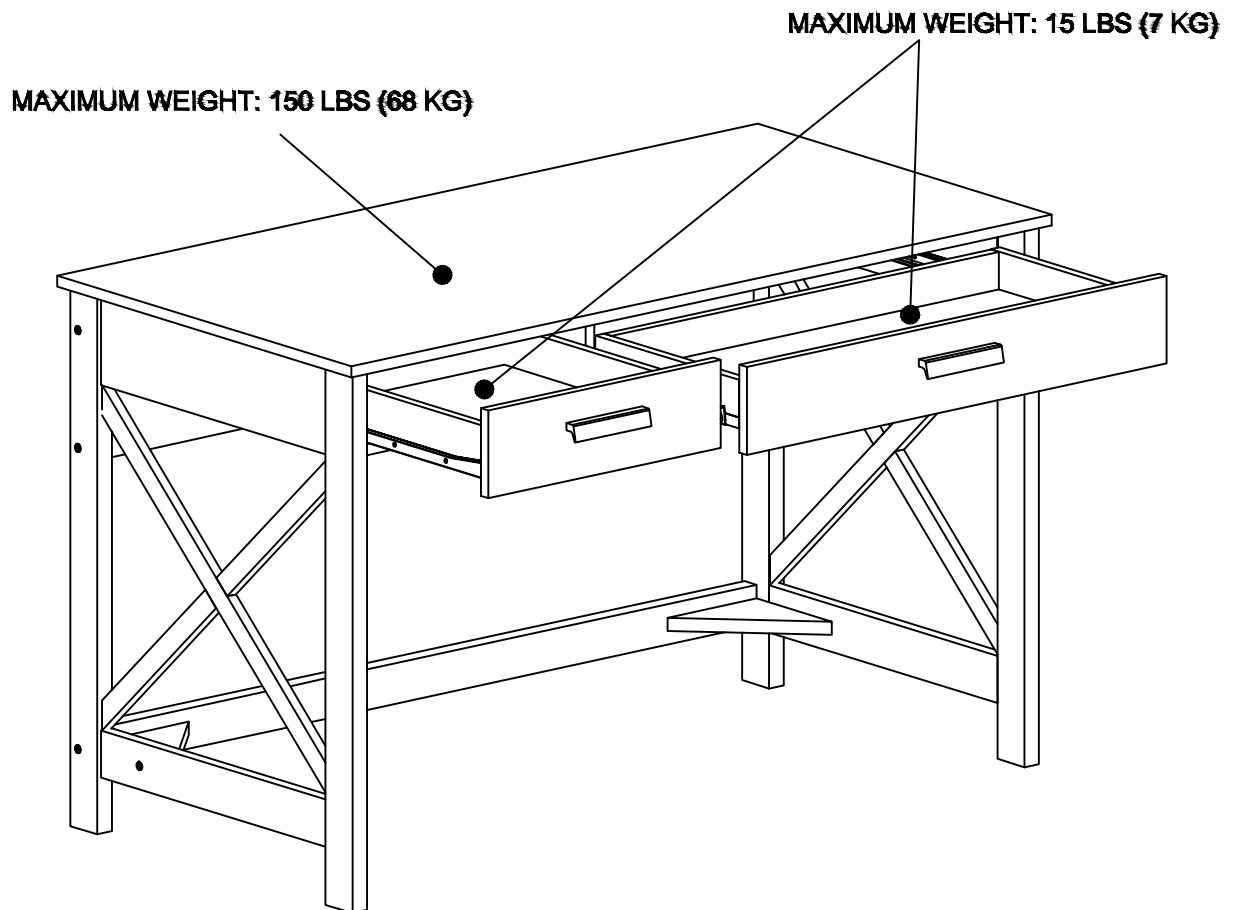
STEP 2.



STEP 3.



Maximum weight capacities



What is Proposition 65?

Proposition 65 is a California law that requires warning labels on products that may contain one of more than 800-plus chemicals or ingredients that the California Office of Environmental Health Hazard Assessment(OEHHA) has deemed to cause cancer or other reproductive toxicity. chemicals and elements on this list include wood dust , brass , and other everyday substances, which can be found in very common household items, such as : lamps , tableware , jewelry , crystal glasses , electric cords , beauty products , automobiles , and furniture.

Why Did I Find a Proposition 65 Warning on My Home Goods Product?

We include Proposition 65 warnings on all of our products because there is always a chance that one of the 800-plus common chemicals and ingredients listed under this law could potentially be on our furniture or packing materials. We risk large fines under this law , if we don't include this warning.

Should I worry?

We realize you may be worried finding this warning on our products , but we want to reassure you that the hazardous exposure limits for any of these chemicals have never been found on furniture products that we've shipped to our customers. Additionally, this warning label is very common and can be found on almost every piece of furniture sold in the state of California.

Just How Common Are Proposition 65 Warnings?

Proposition 65 warnings have become so common in California that it is hard to take a trip to local bank, grocery store , or restaurant without finding at least one warning. In fact, even the Disney Land Resort has a Proposition 65 warning:

