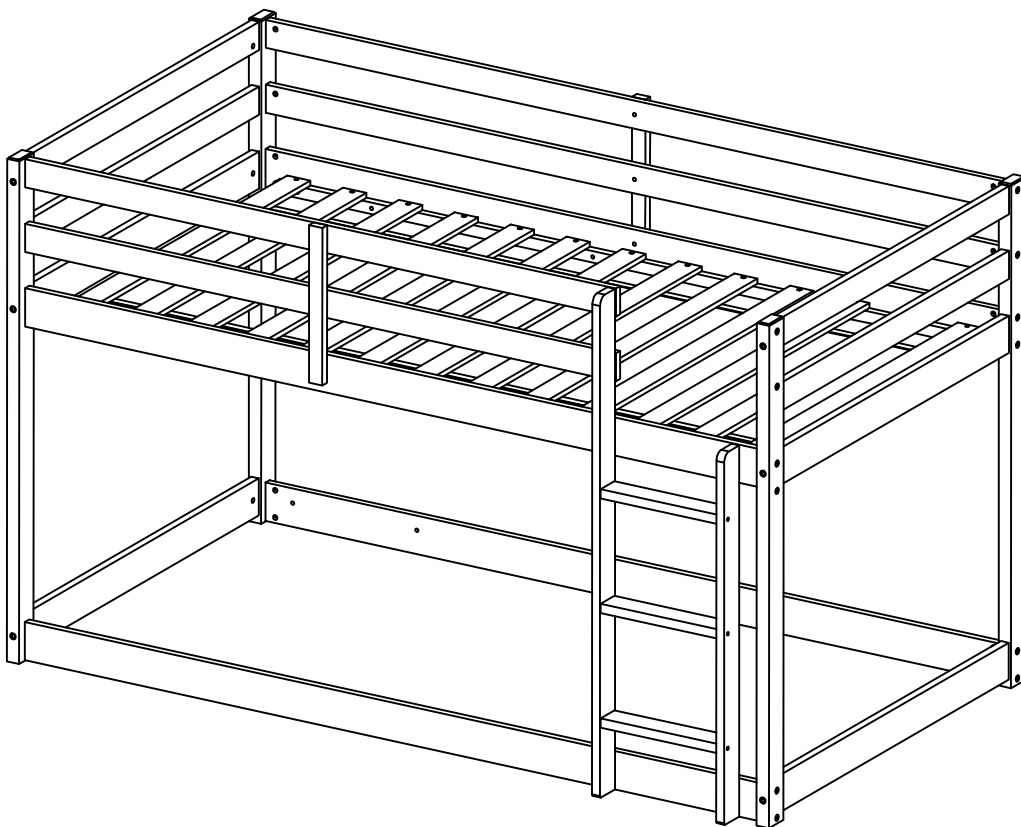


ASSEMBLY INSTRUCTIONS

LOFT TWIN BED



MK11728



SAFETY WARNING



1. This bed is designed for use only mattress (es) meeting the following specifications on the upper bunk, and lower bunk:

Down bed

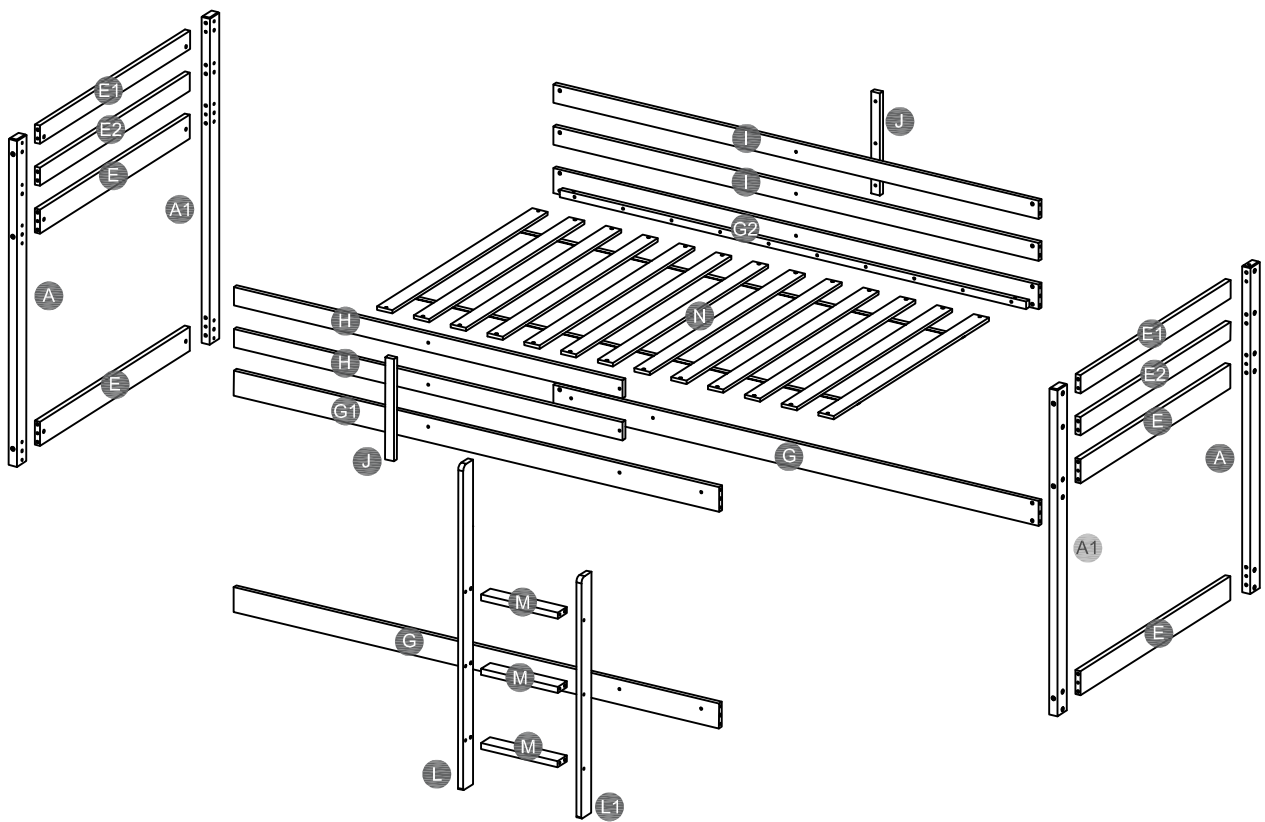
Bed type	Length	With	Thickness
Twin Standard	74"-75"	38 1/2"	6" max

Up bed (Bunk bed and tribed included)

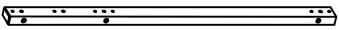
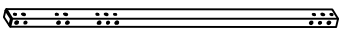
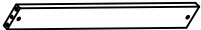
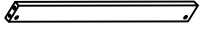
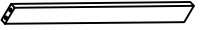






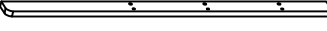
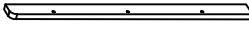
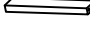

Bed type	Length	With	Thickness
Twin Standard	74"-75"	38 1/2"	6" max

2. Replacement parts, including additional guardrails, maybe obtained from any of our dealers of GigaCloud Technology , USA /18961 ARENTH AVENUE,CITY OF INDUSTRY , CA, 91748.
3. Follow the information on the warnings appearing on the upper bunk bed end structure and on the carton. Do not remove warning label from bed.
4. Always use the recommended size mattresses or mattress supports, or both, to help prevent the likelihood of entrapment or falls.
5. Surface of mattress must be at least 5" (127mm) below the upper edge of guardrails.
6. Do not allow children under 6 years of age to use the upper bunk.
7. Periodically check and ensure that the guardrail, ladder, and other components are in their proper position, free from damage, and that all connectors are tight.
8. Do not allow horseplay on or under the bed and prohibit jumping on the bed.
9. Always use the ladder for entering and leaving the upper bunk.
10. Do not use substitute part. Contact the manufacture or dealer for replacement part.
11. Use of a night light may provide added safety precaution for a child using the upper bunk.
12. Always use guardrails on both long sides of the upper bunk. If the bunk bed will be placed next to the wall, the guardrail that runs the full length of the bed should be placed against the wall to prevent entrapment between the bed and wall.
13. The use of water or sleep flotation mattresses is prohibited.
14. STRANGULATION HAZARD - Never attach or hang items to any part of the bunk bed that are not designed for use with the bed; for example, but not limited to, hook, belts and jump ropes.
15. Keep these instruction for future reference.


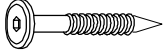


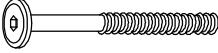
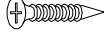
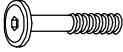
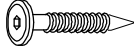


Detail View



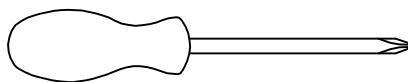
Part List

A  Leg - 2pcs	A1  Leg - 2pcs	E  Hb. Fb. Bottom Panel - 4pcs
E1  Hb. Fb. Top Panel - 2pcs	E2  Hb. Fb. Mid. Panel - 2pcs	G  Side Rail Lower (Front & Back) - 2pcs
G1  Side Rail Upper (Front) - 1pc	G2  Side Rail Upper (Back) - 1pc	H  Guardrail Upper (Front) - 2pcs
I  Guardrail Upper (Back) - 2pcs	J  Guardrail Spindle - 2pcs	L  Ladder Rail Left (Long) - 1pc
L1  Ladder Rail Right (Short) - 1pc	M  Ladder Step - 3pcs	N  Bed Slats - 1Set

Hardware List

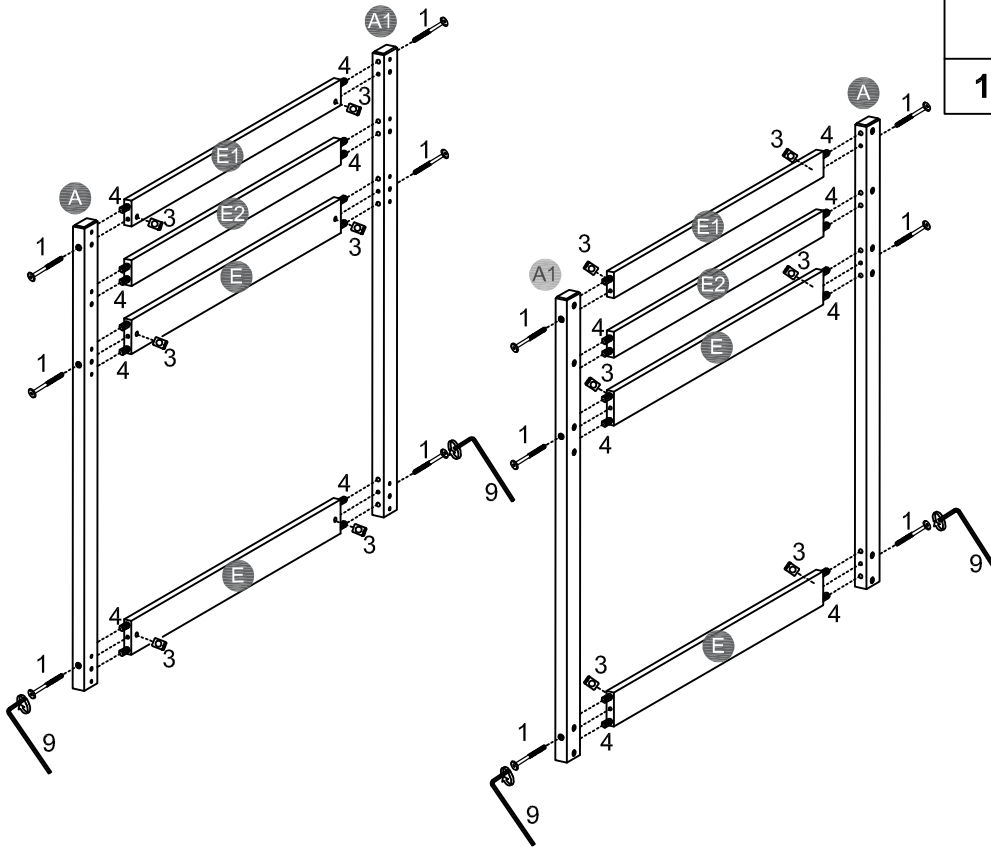
1  M6 x 100mm JCBC (12pcs)	2  M6 x 50mm JCBC-W (12pcs)	3  M6 x 15mm Barrel Nut (34pcs)
4  M10 x 30mm Wood Dowel (48pcs)	5  M6 x 80mm JCBC (22pcs)	6  M4 x 25mm CSK Screw (22pcs)
7  M6 x 30mm JCBC (6pcs)	8  M6 x 30mm JCBC-W (4pcs)	9  M4 Allen Key (1pc)
10  Sticker Cap (6pcs)		

ASSEMBLY TOOLS REQUIRED (NOT INCLUDED)

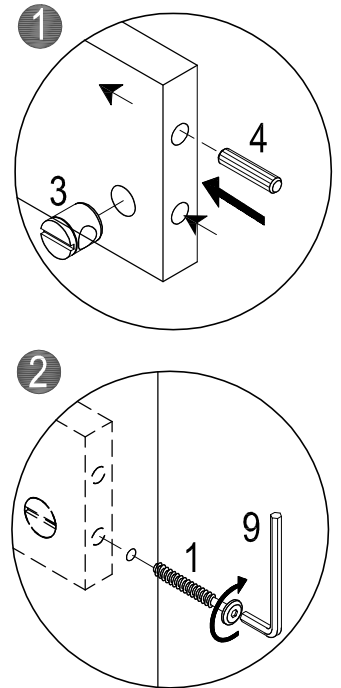


PLEASE BE CAREFUL DO NOT DAMAGE THE HOLE POSITION WHEN YOU USE POWER TOOLS !

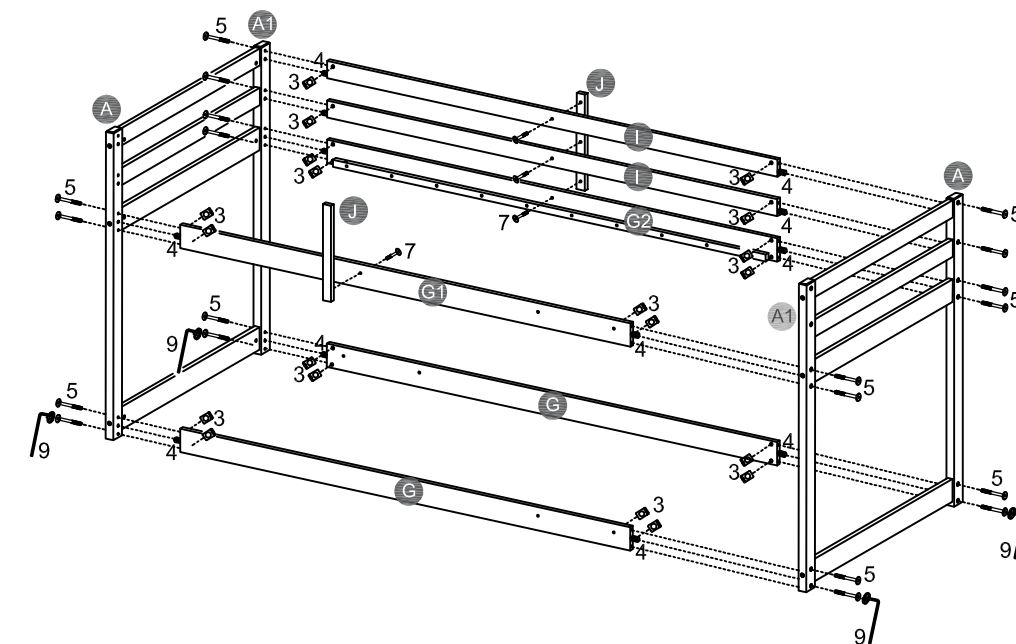
STEP 1:



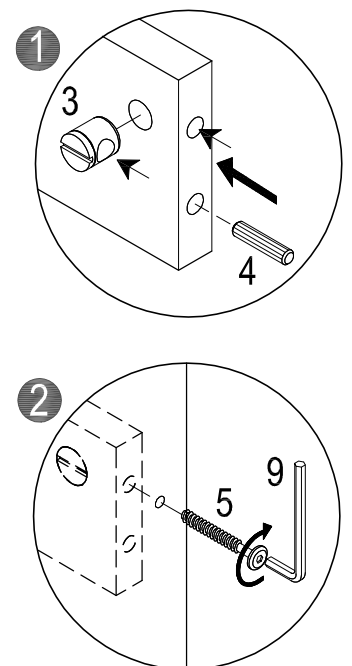
1		3		4	
	12PCS		12PCS		28PCS







STEP 2:

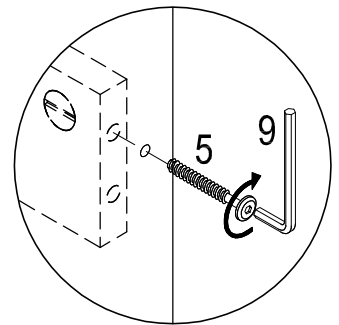
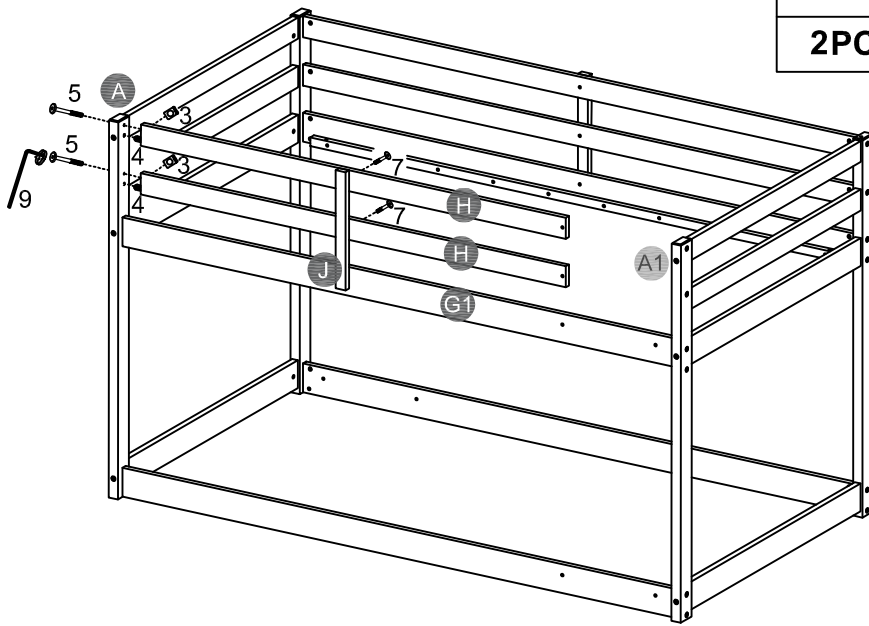


3		4		5		7	
	20PCS		12PCS		20PCS		4PCS





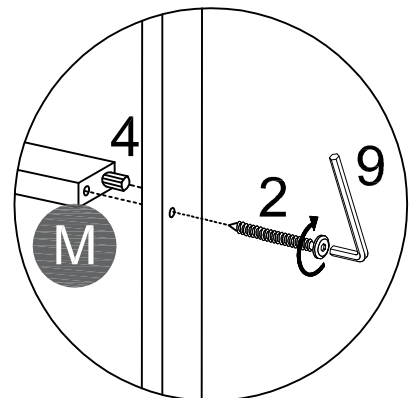
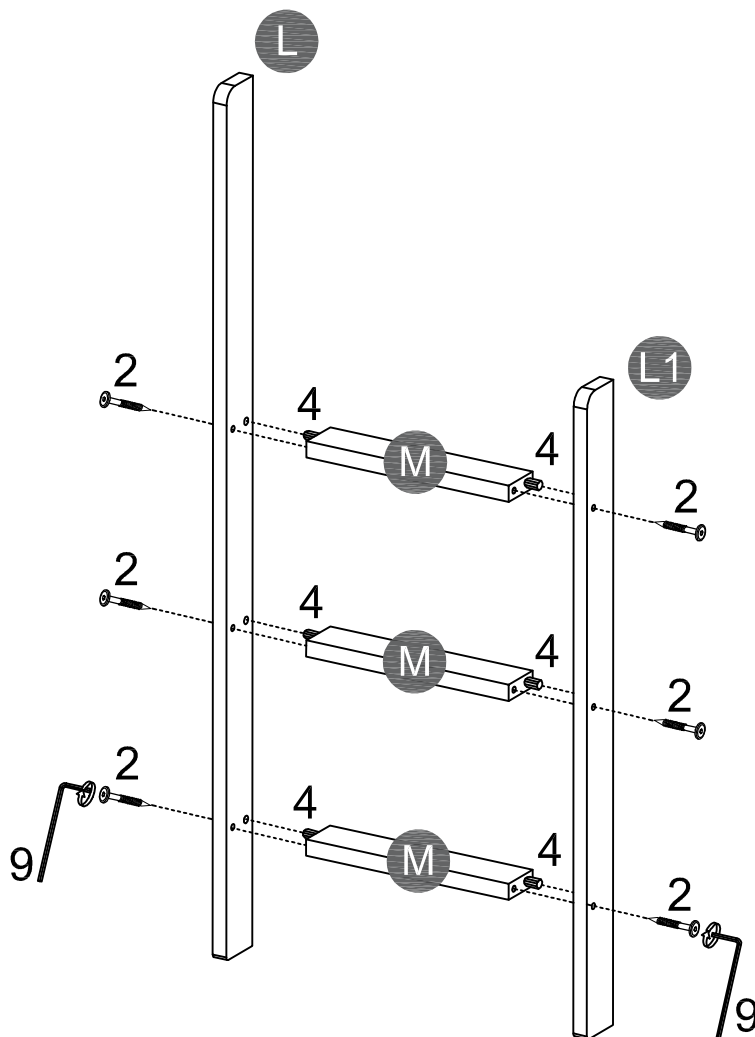
STEP 3:

3		4		5		7	
2PCS		2PCS		2PCS		2PCS	

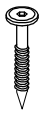



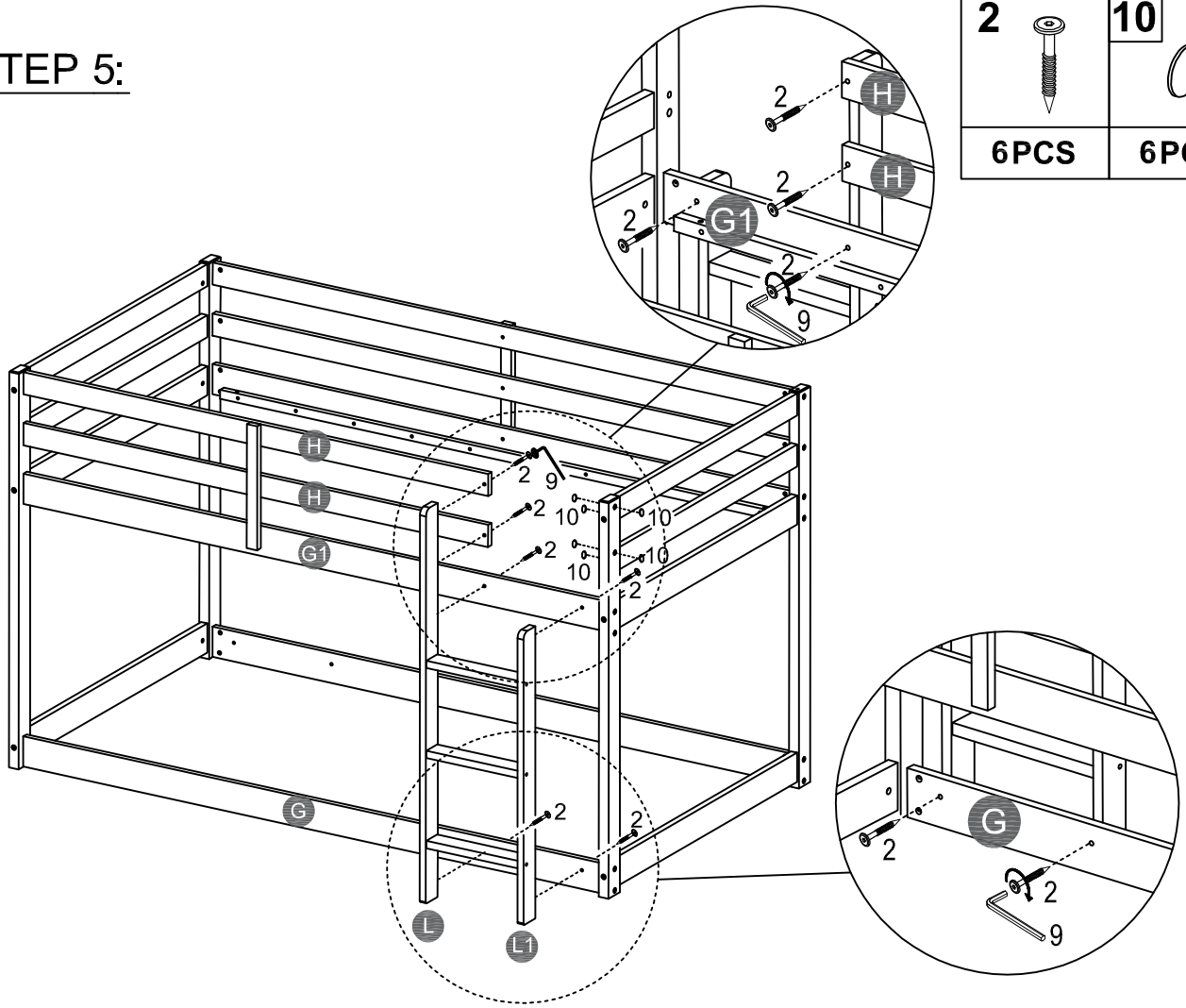
STEP 4:

2		4	
6PCS		6PCS	





STEP 5:

2		10	
6PCS		6PCS	



STEP 6:

6		8	
22PCS		4PCS	

