

|                          |                         |                        |                              |                        |                         |
|--------------------------|-------------------------|------------------------|------------------------------|------------------------|-------------------------|
| <b>A</b><br>L=45mm x34   | <b>B</b><br>12x15mm x34 | <b>C</b><br>8x35mm x42 | <b>D</b><br>L=400mm x6       | <b>E</b><br>6x8mm x24  | <b>F</b><br>x1          |
| <b>G</b><br>3,5x16mm x24 | <b>H</b><br>x4          | <b>I</b><br>x80        | <b>J</b><br>ø17mm x48<br>x12 | <b>K</b><br>L=43mm x20 | <b>O</b><br>L=1318mm x1 |

### 1

**D**  
x6

**E**  
x24

Diagram 1 shows the side panel (1) and shelf brackets (2) being attached. An inset shows a close-up of a shelf bracket (D) being secured to the side panel with a screw (E).

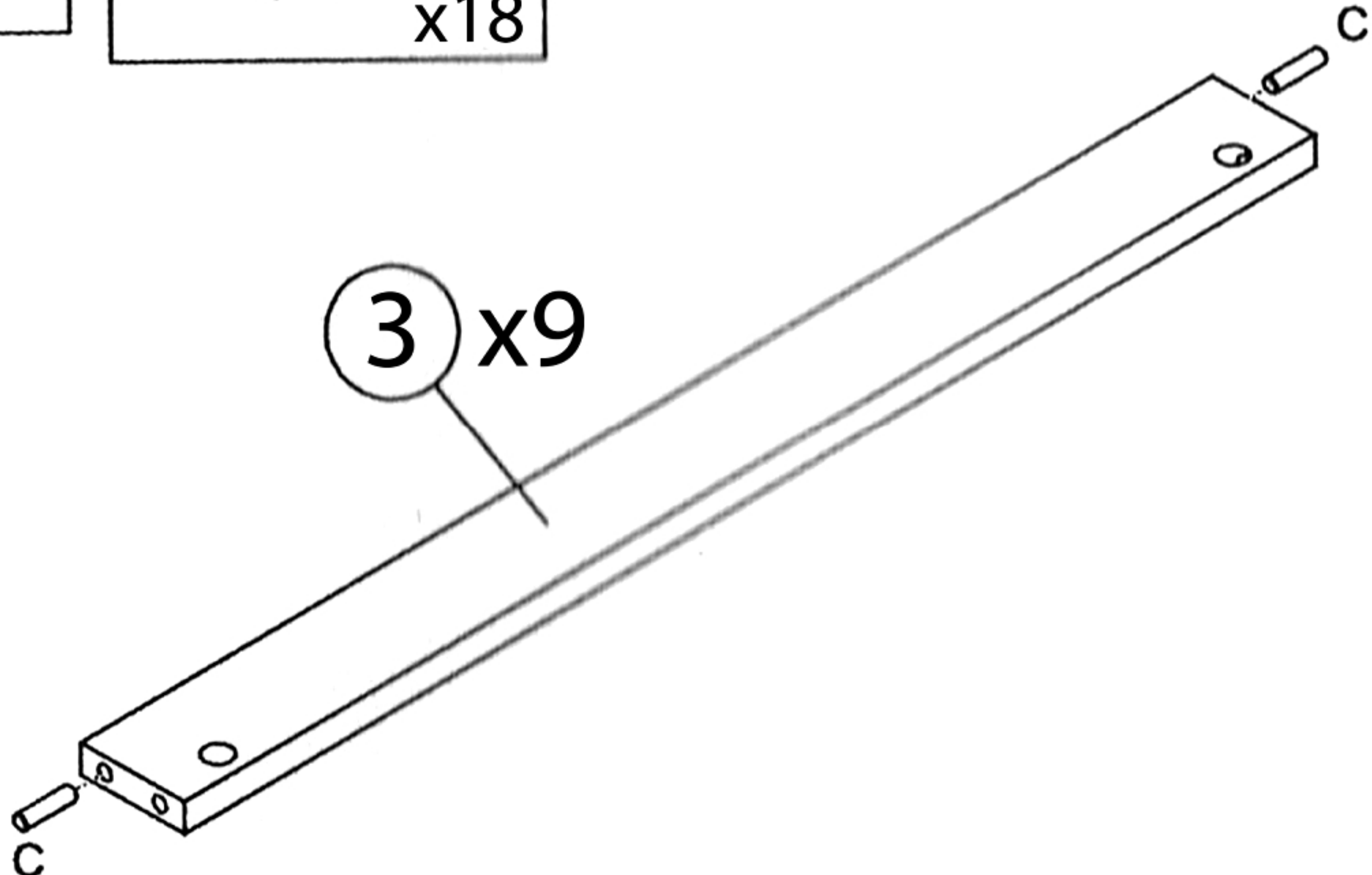
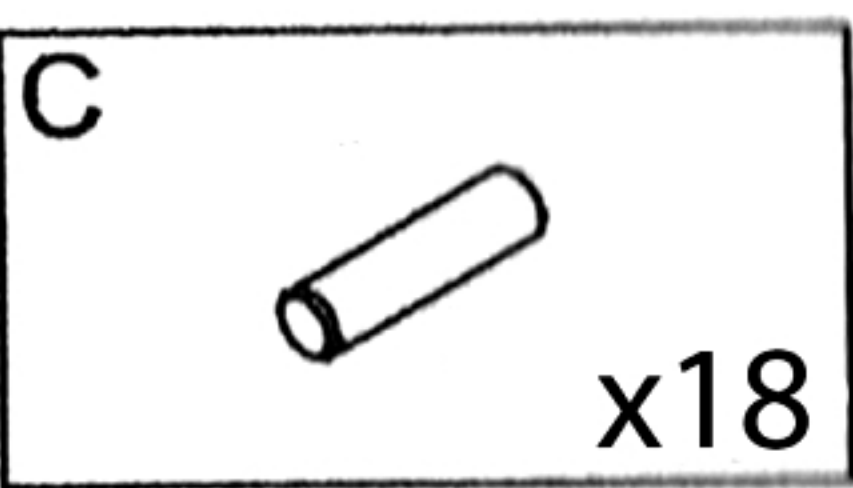
### 2

**A**  
x18

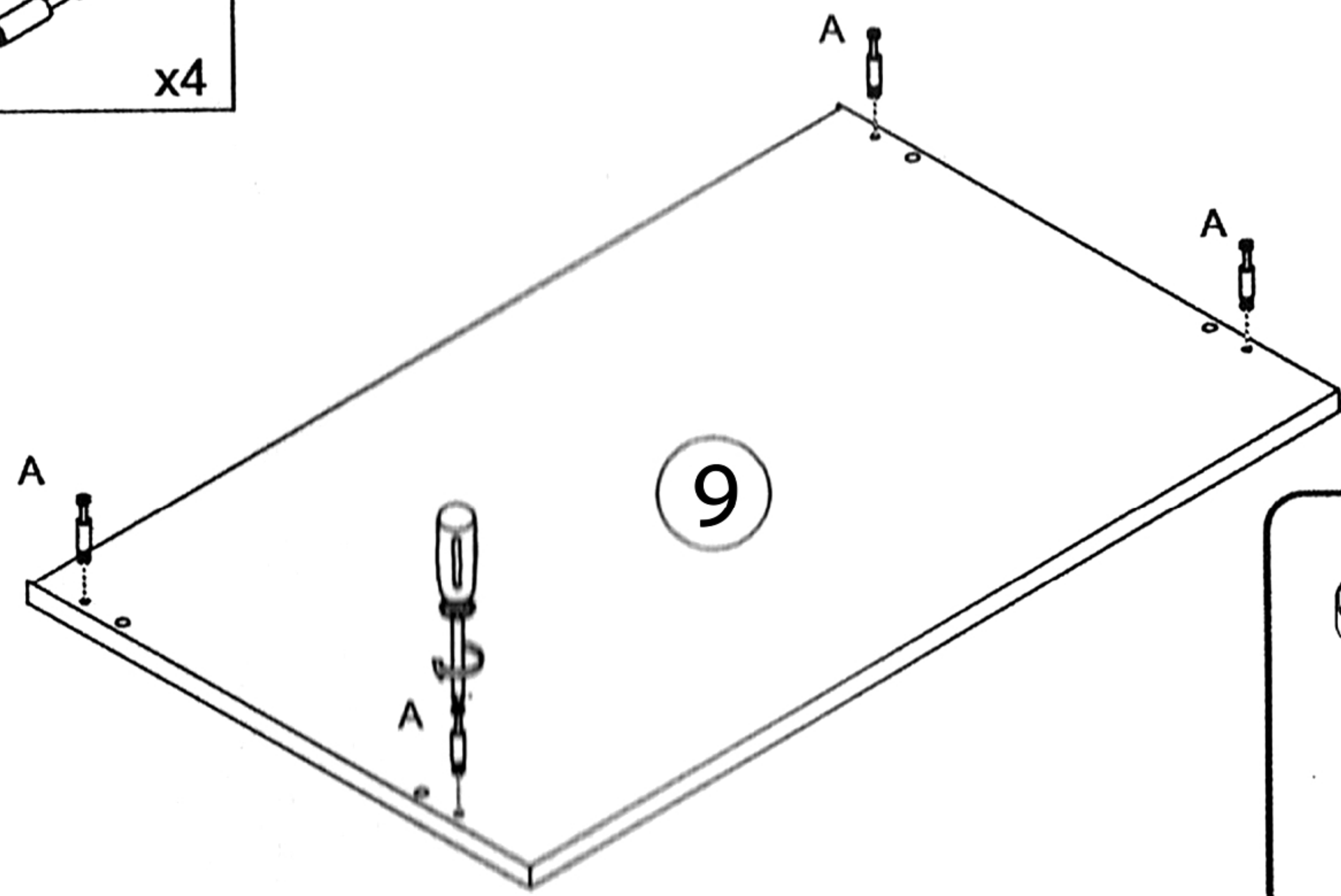
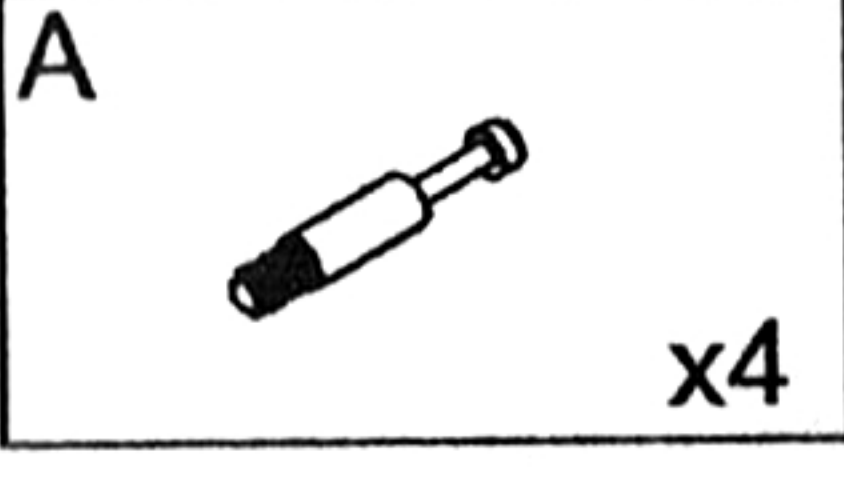
**C**  
x4

Diagram 2 shows the shelves (3) being inserted into the brackets (2) on the side panels (1). An inset shows a close-up of a shelf (C) being secured with a screw (A).

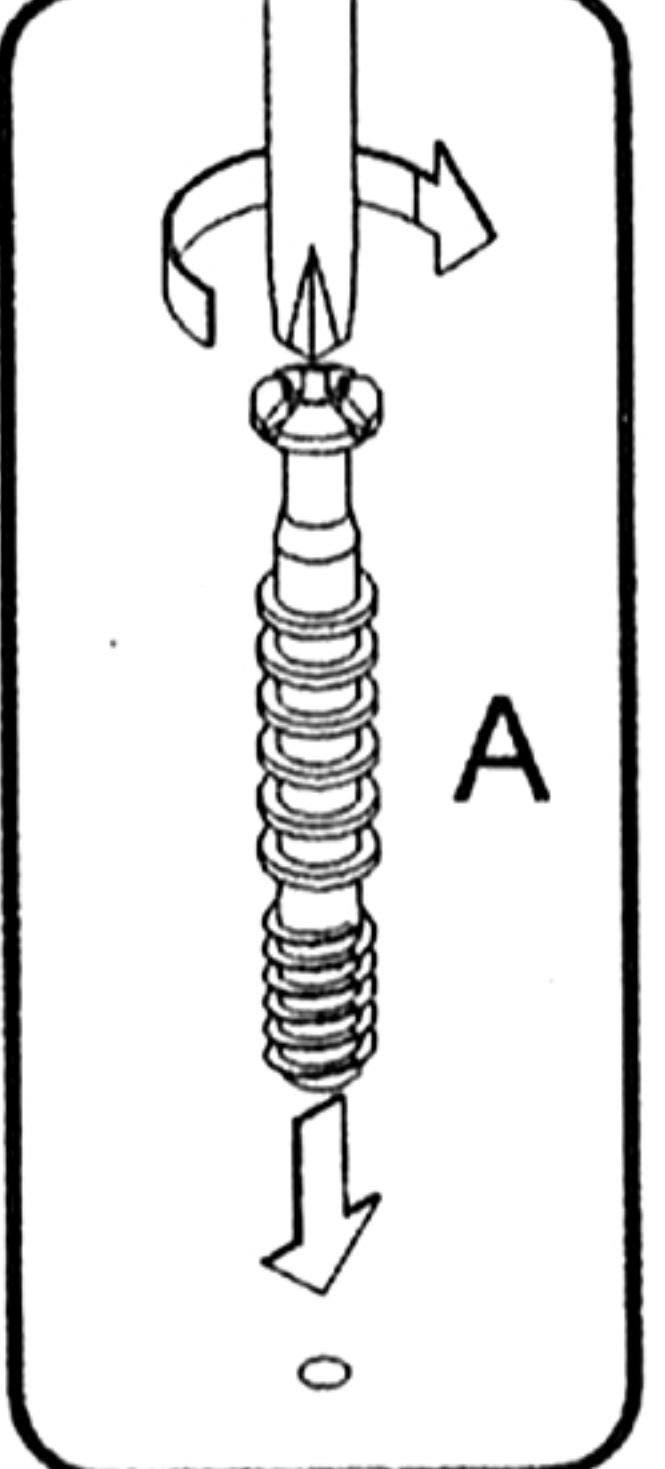
3



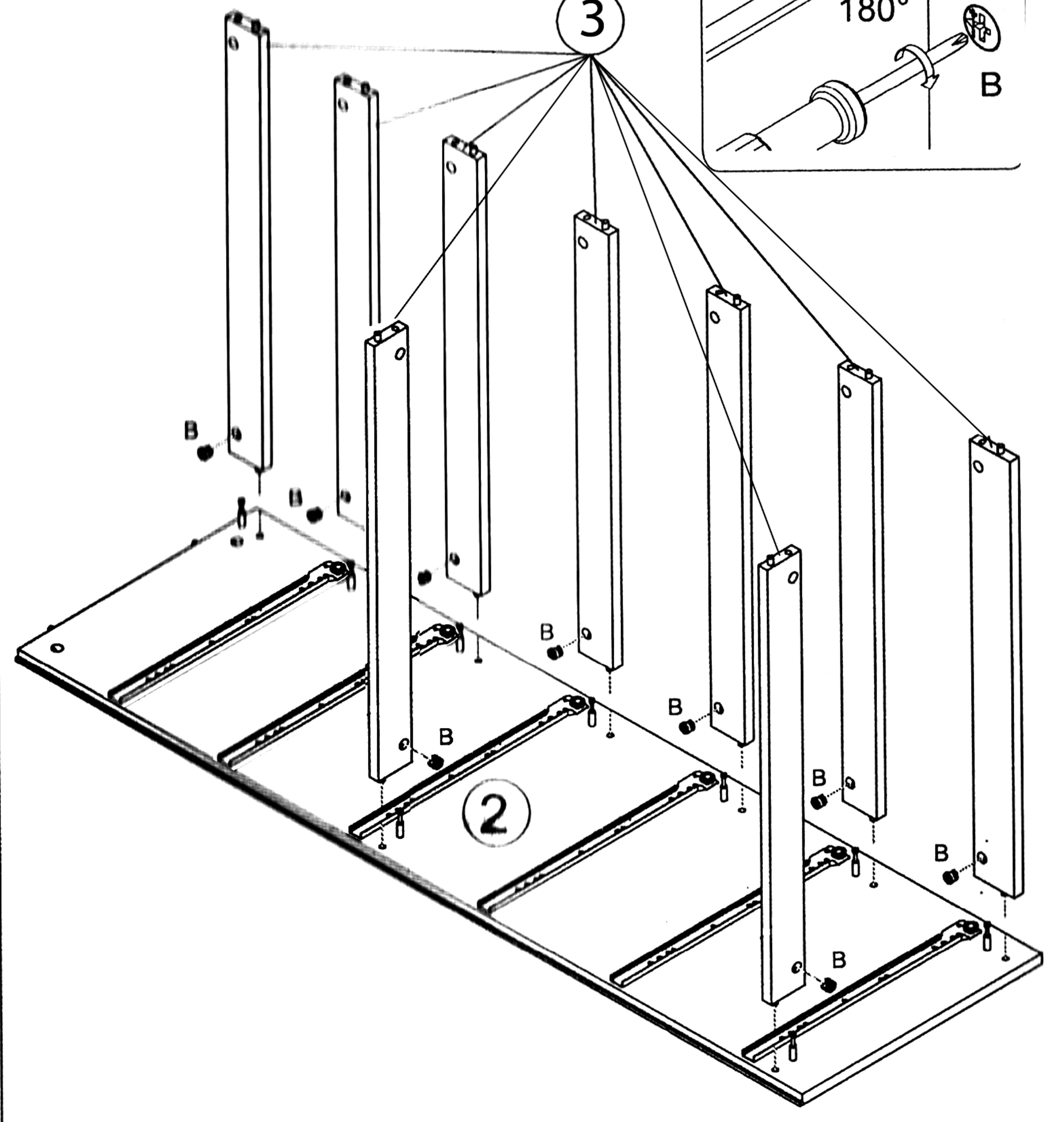
3 x9



9

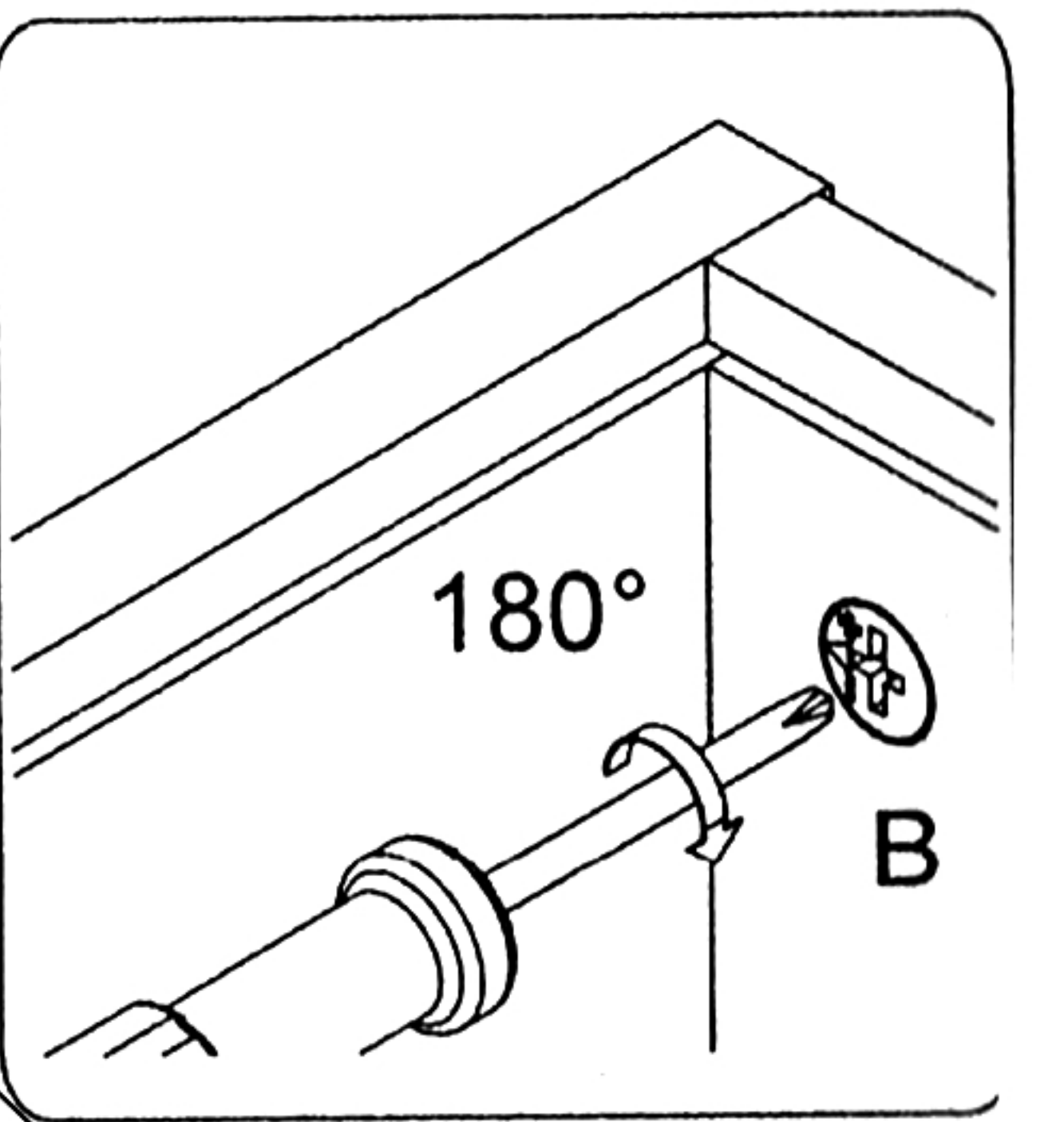


4



2

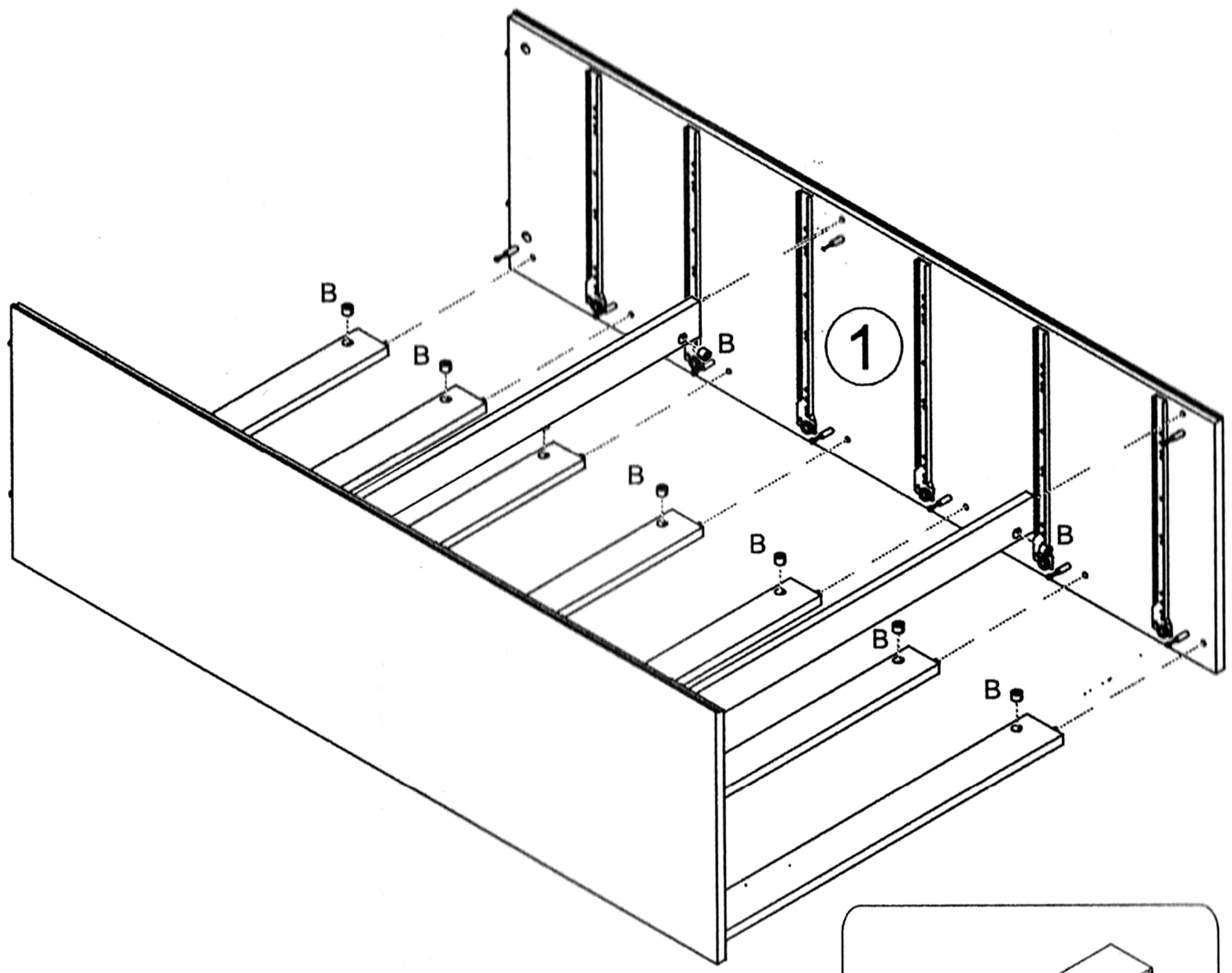
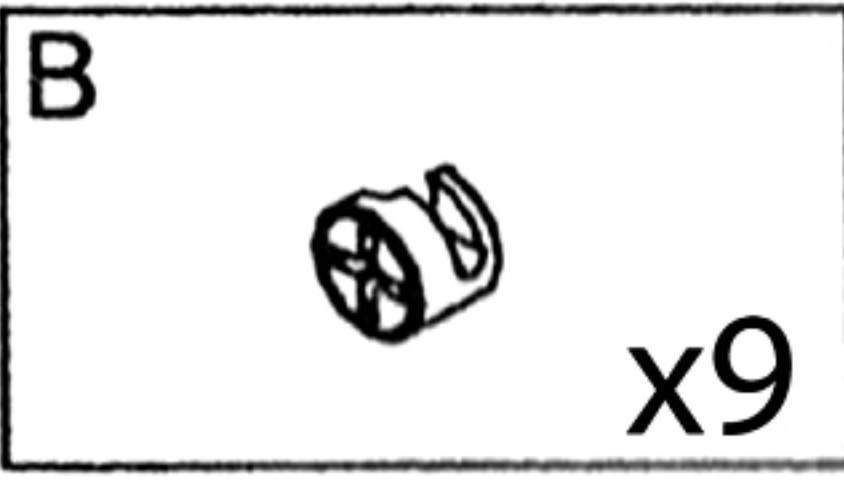
3



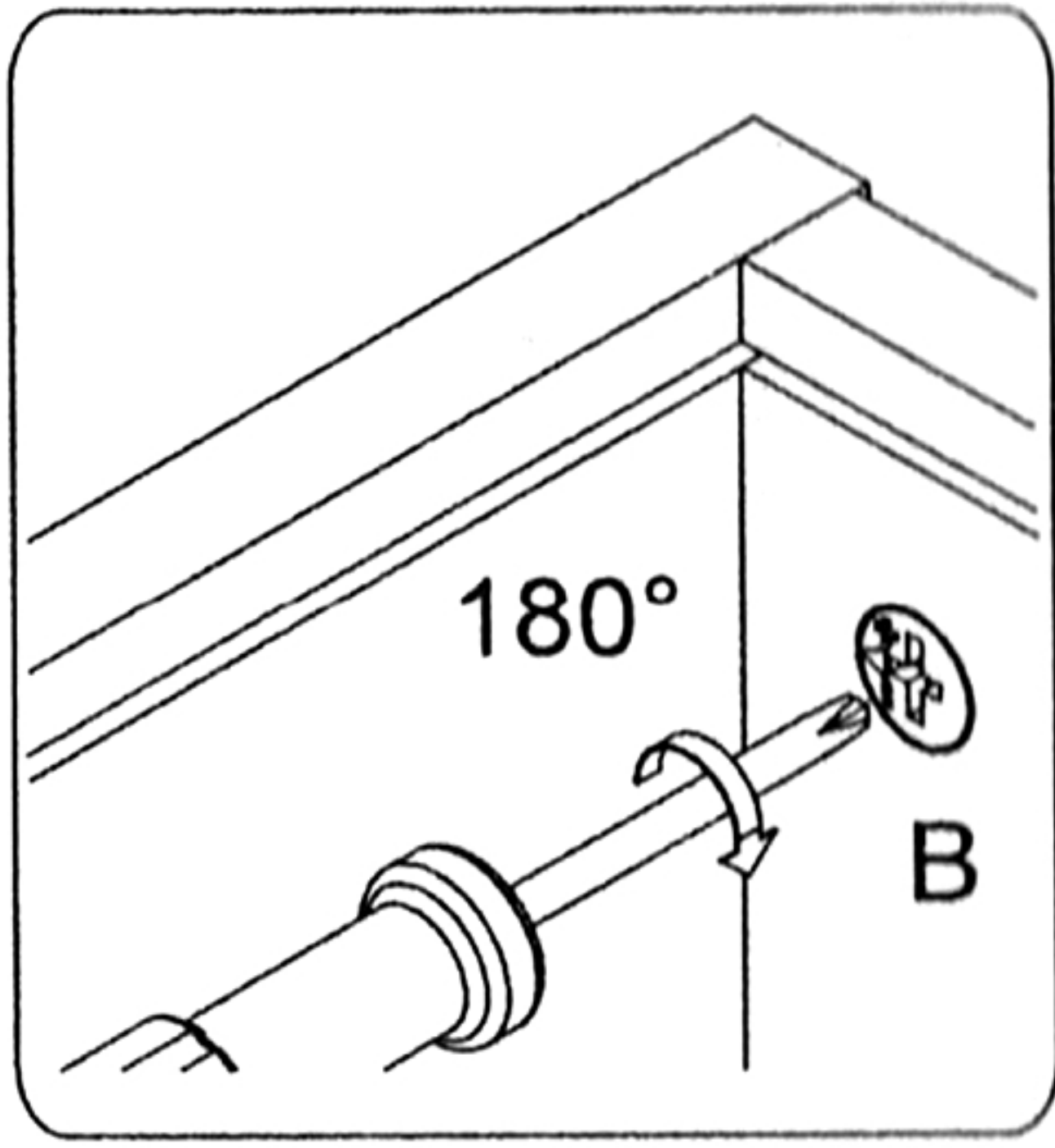
180°

B

5



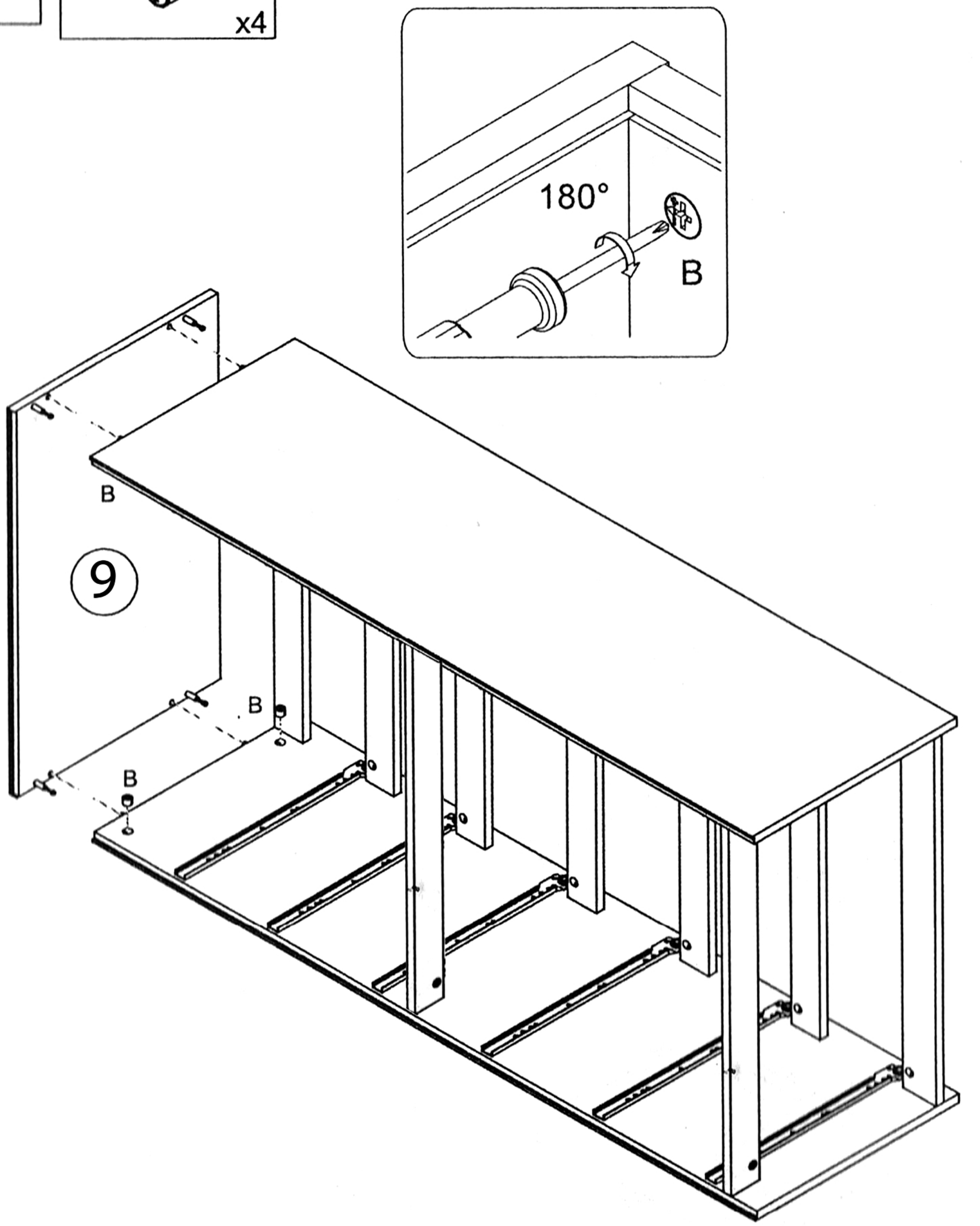
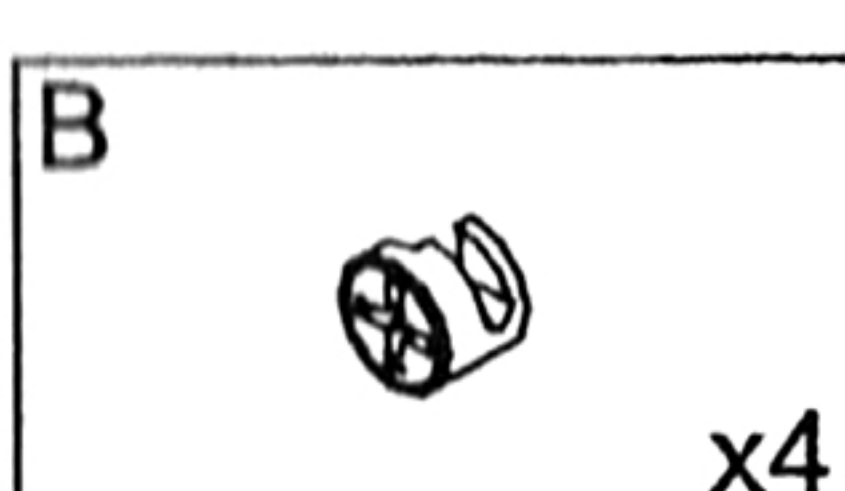
1



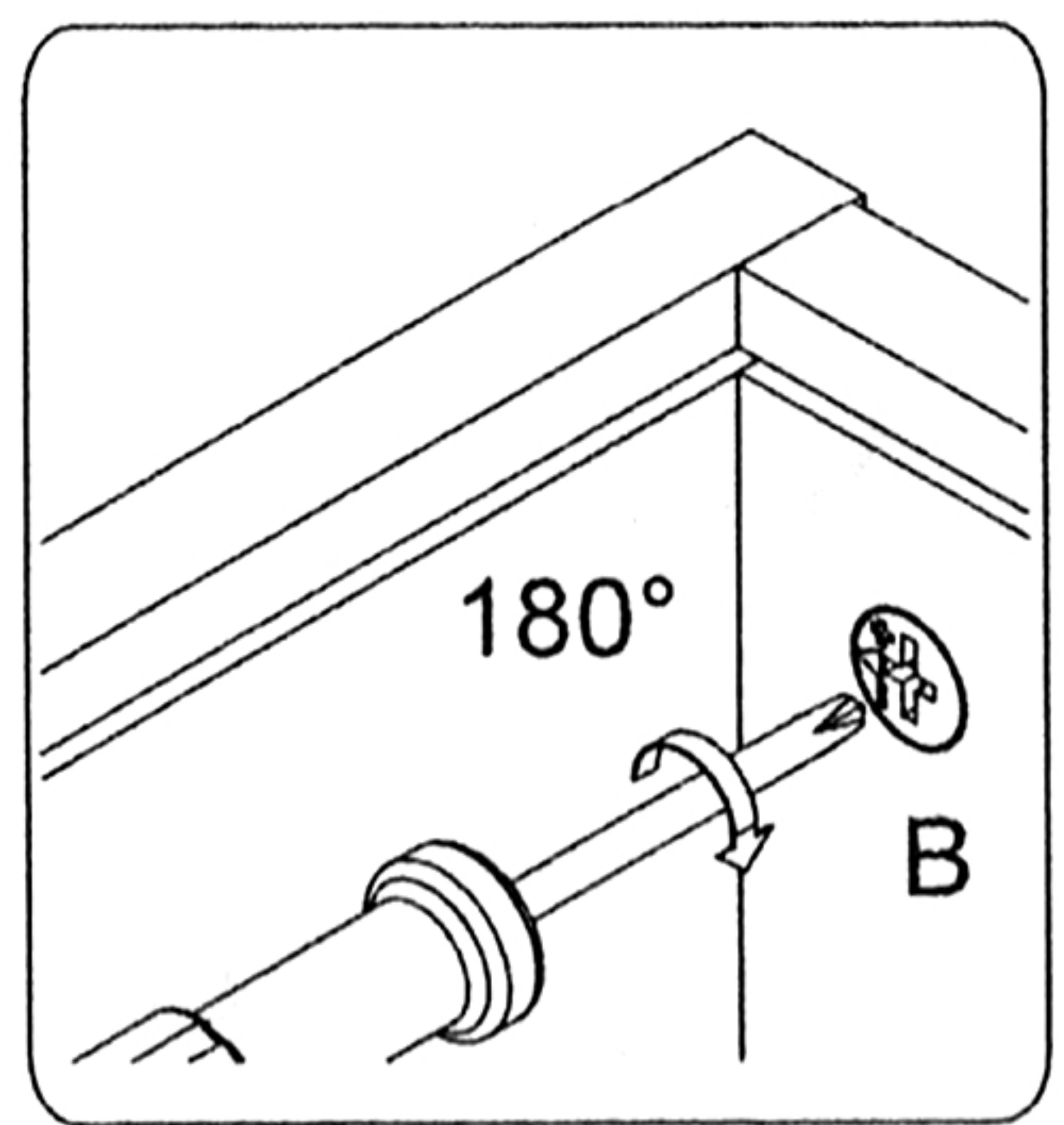
180°

B

6



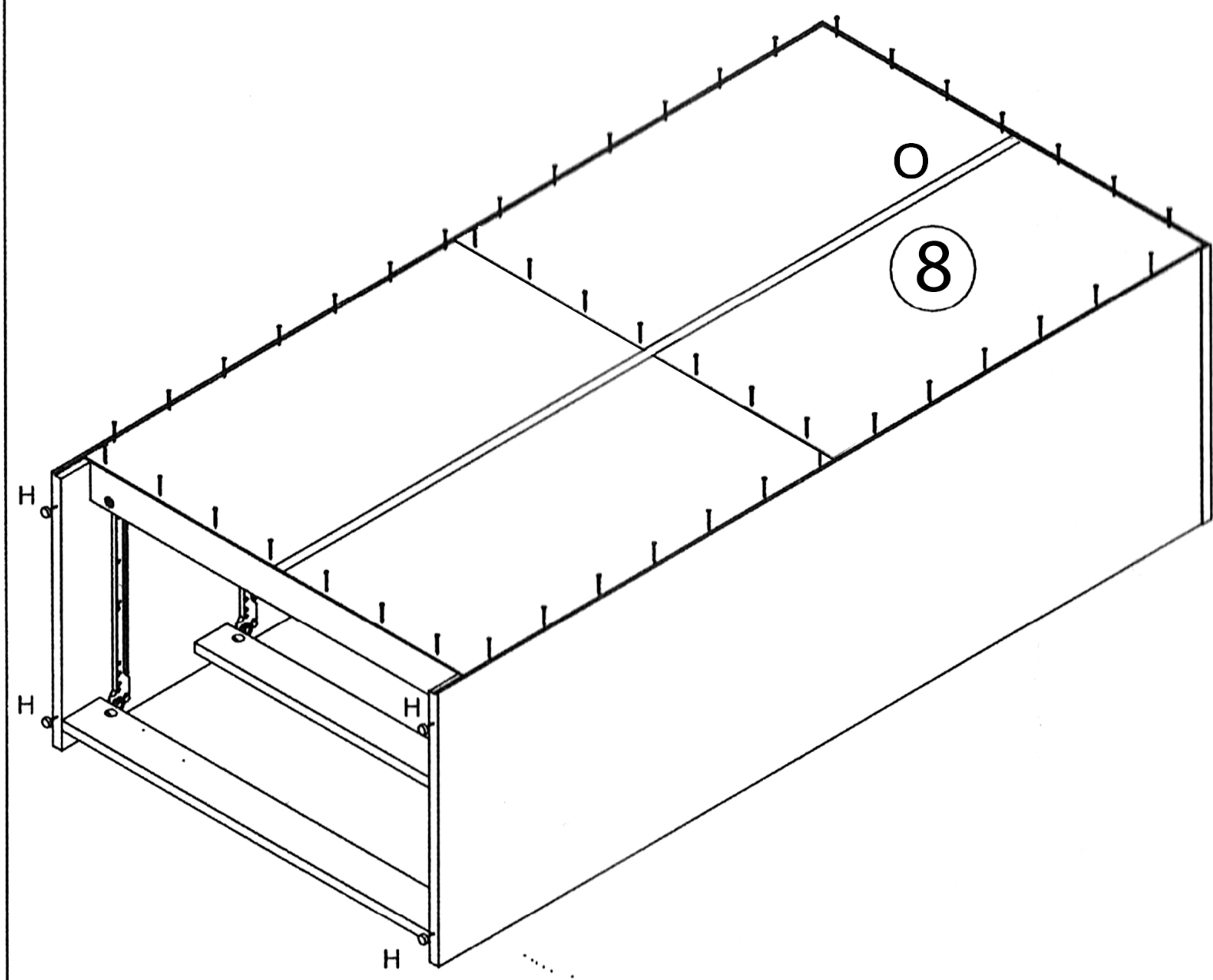
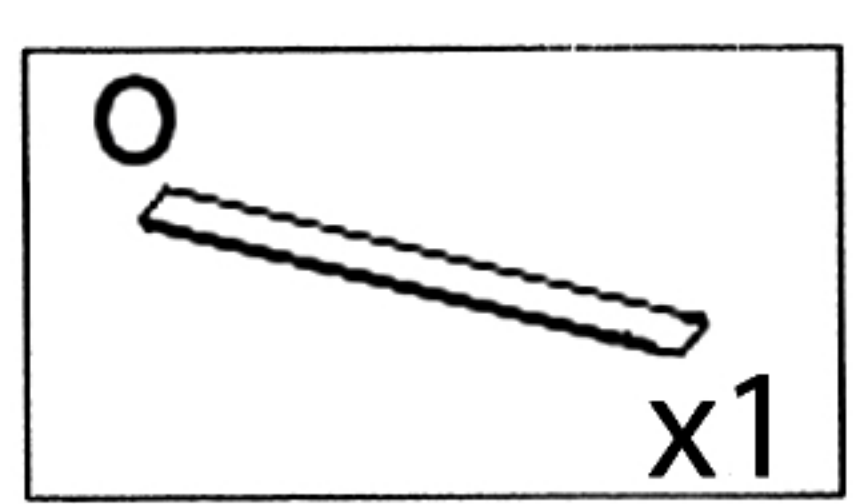
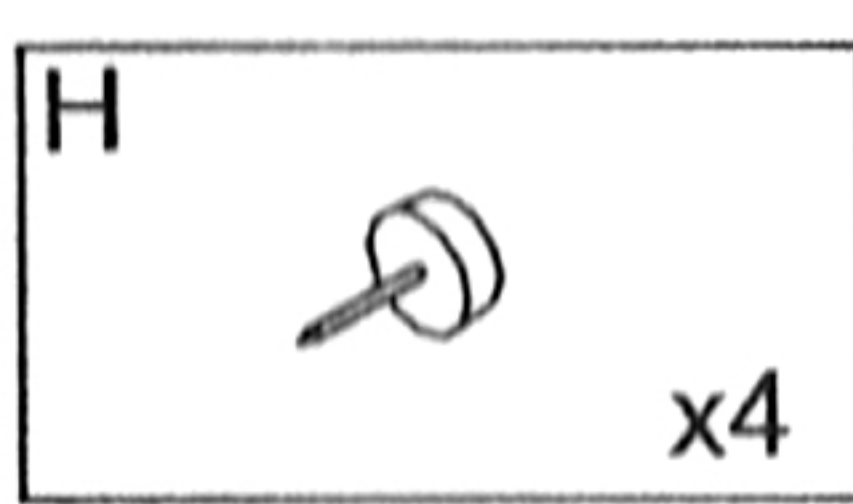
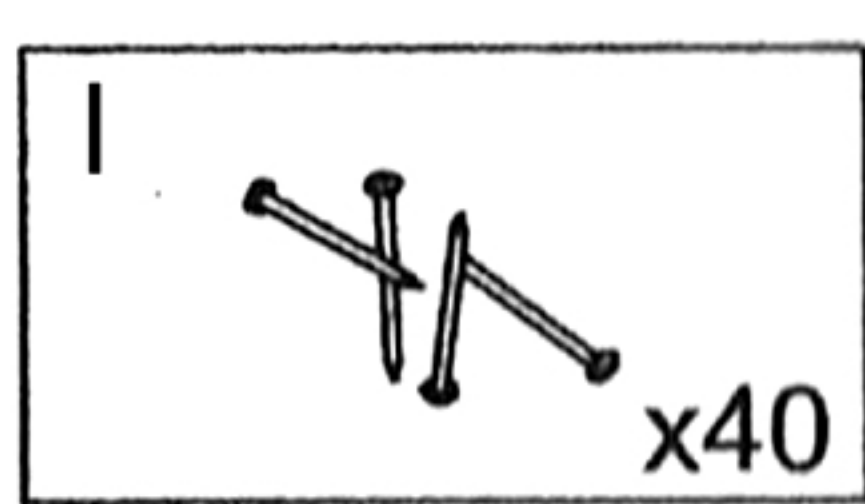
9



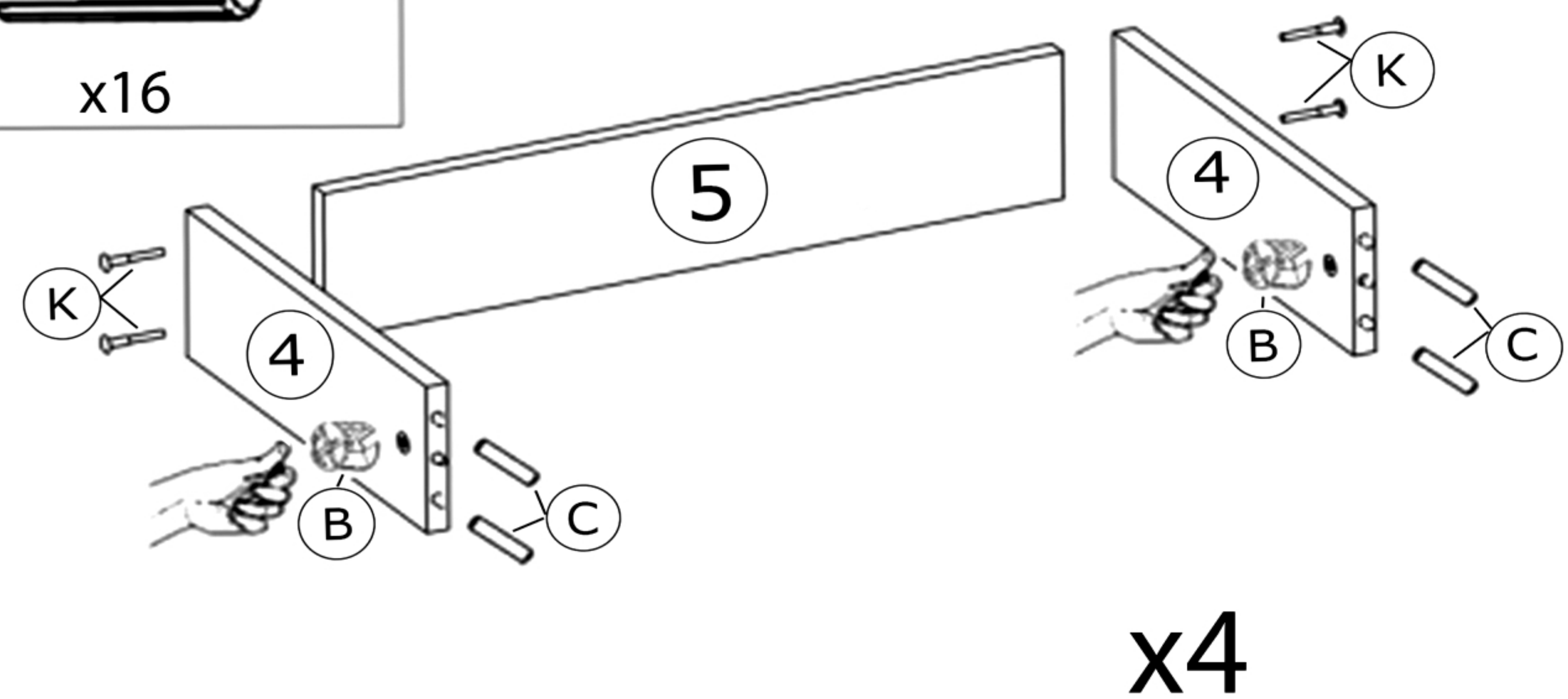
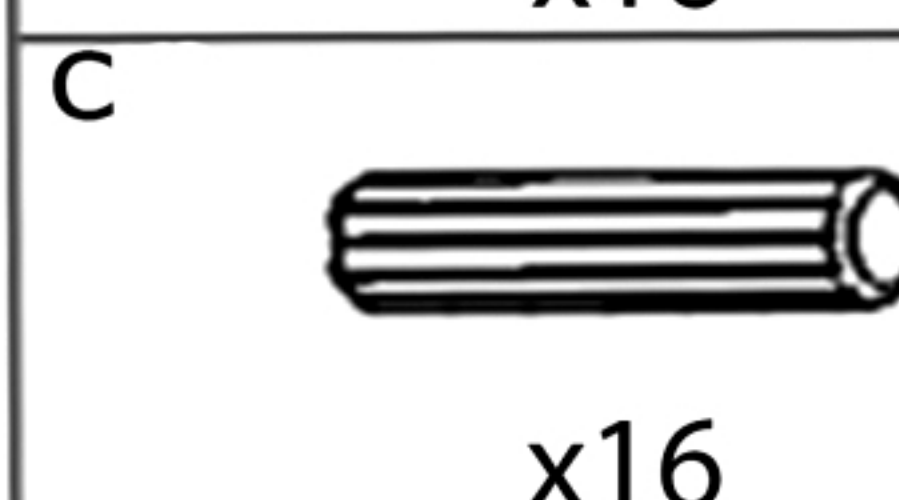
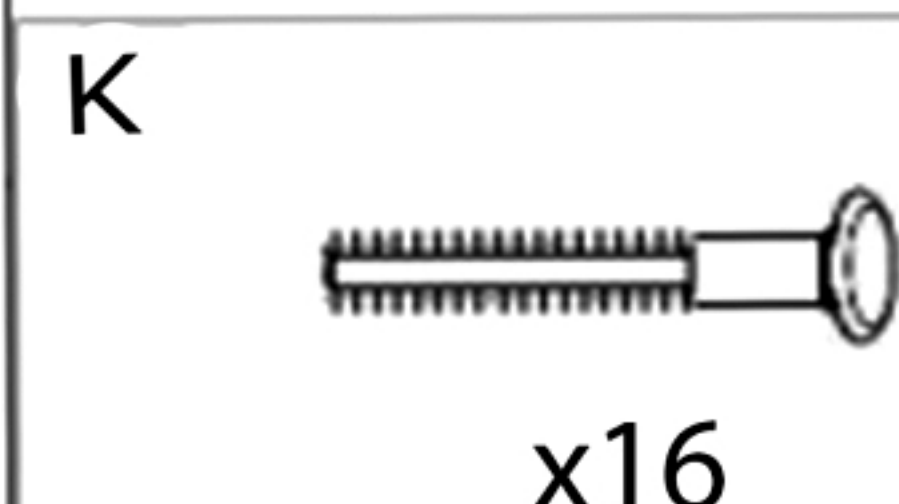
180°

B

7

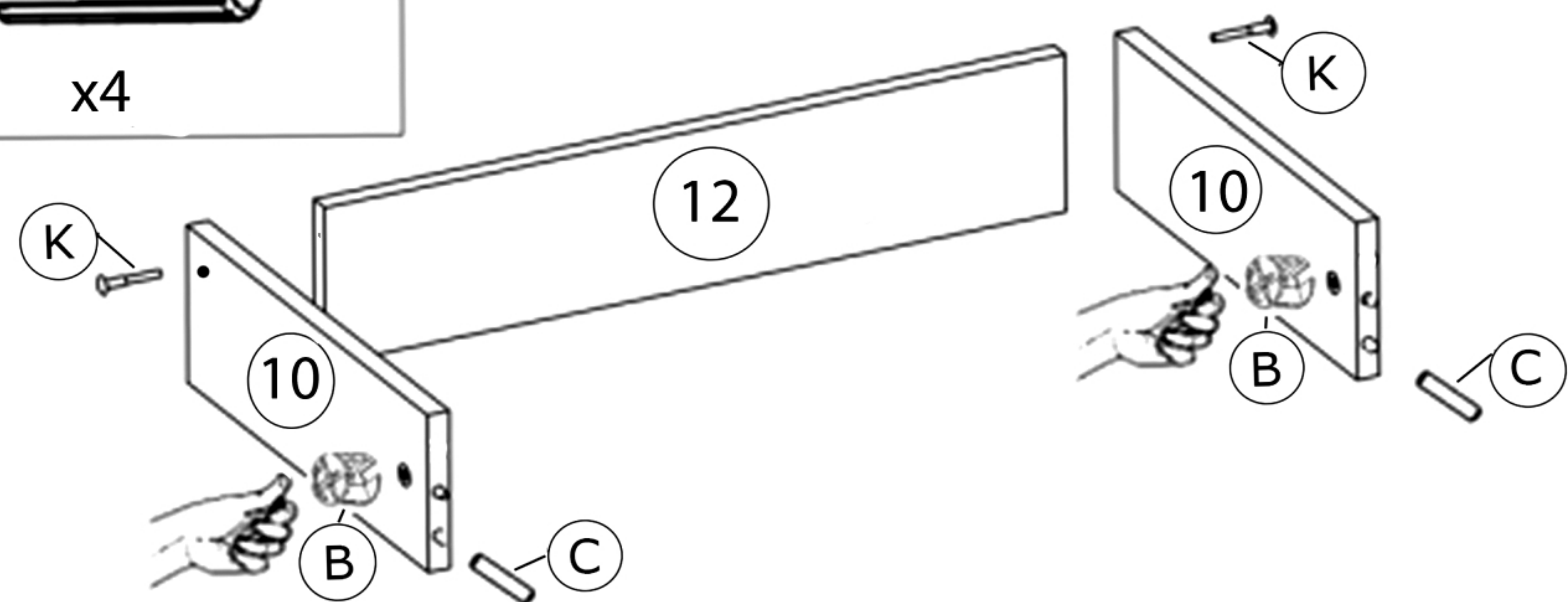
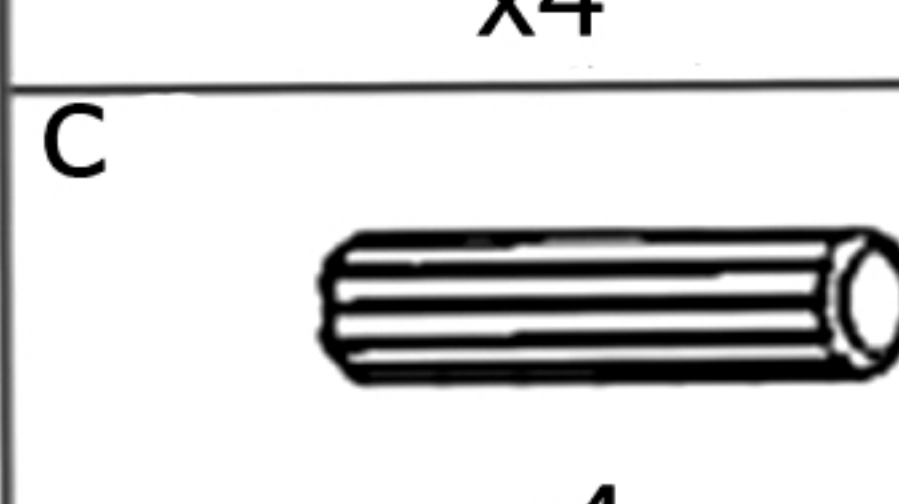
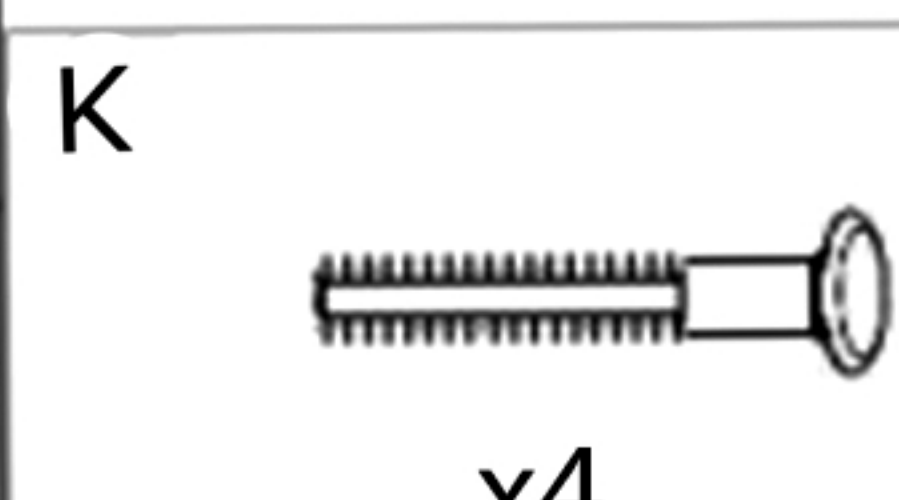


8

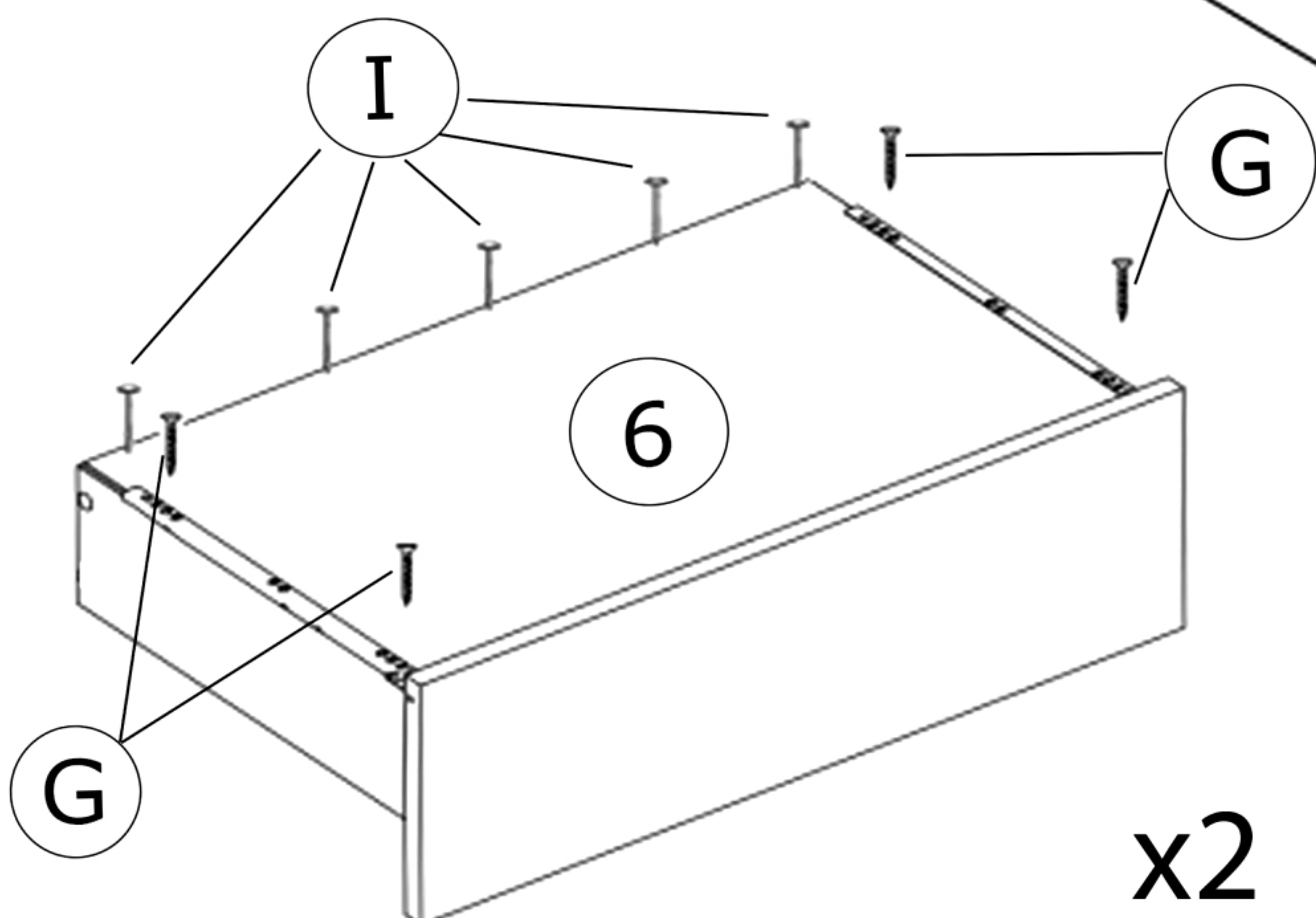
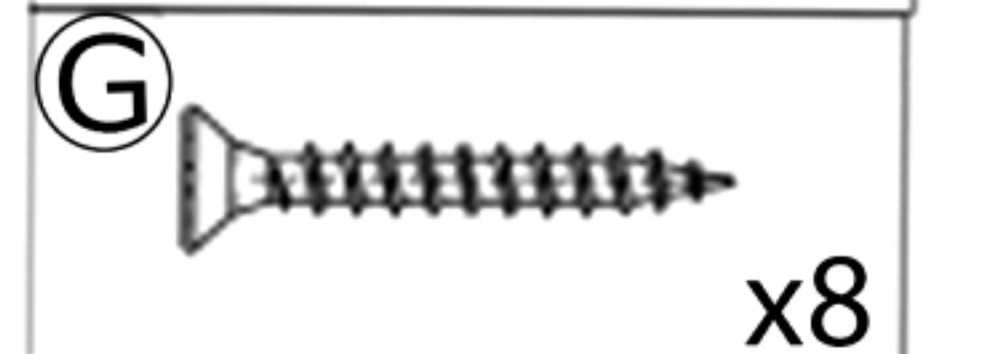
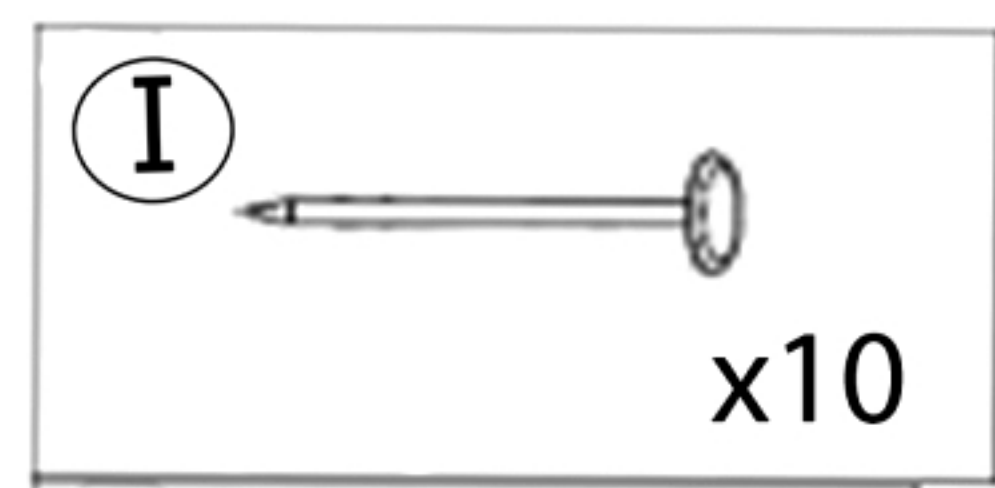
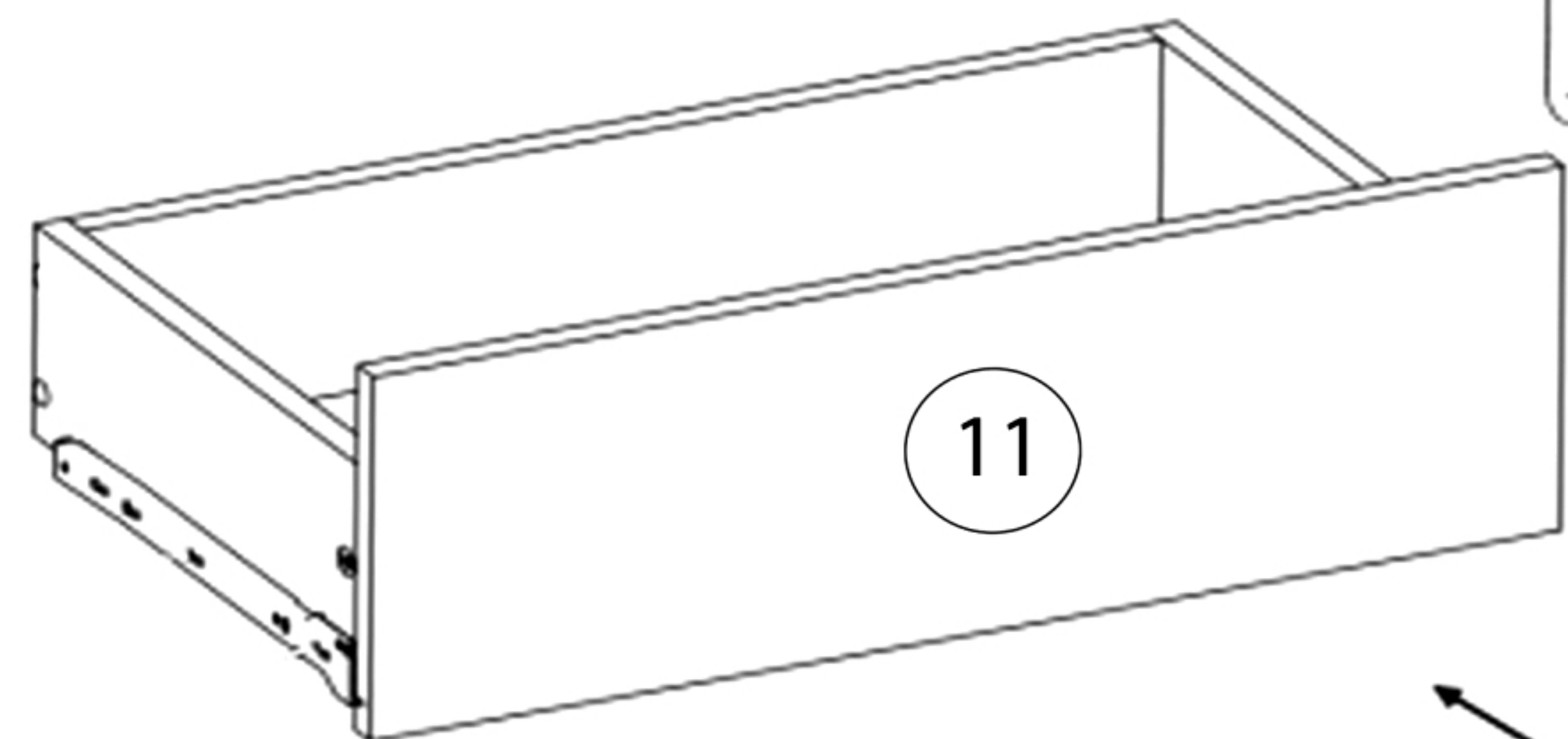
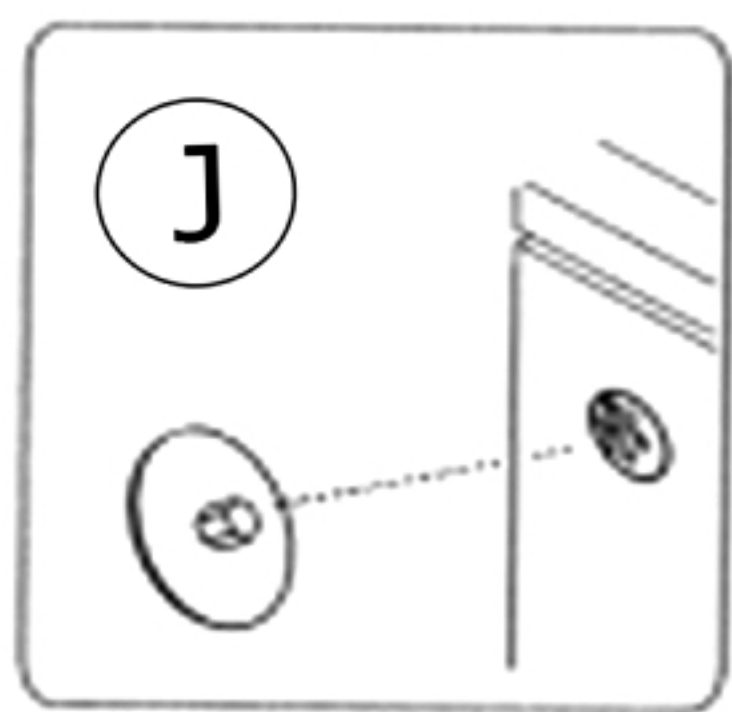
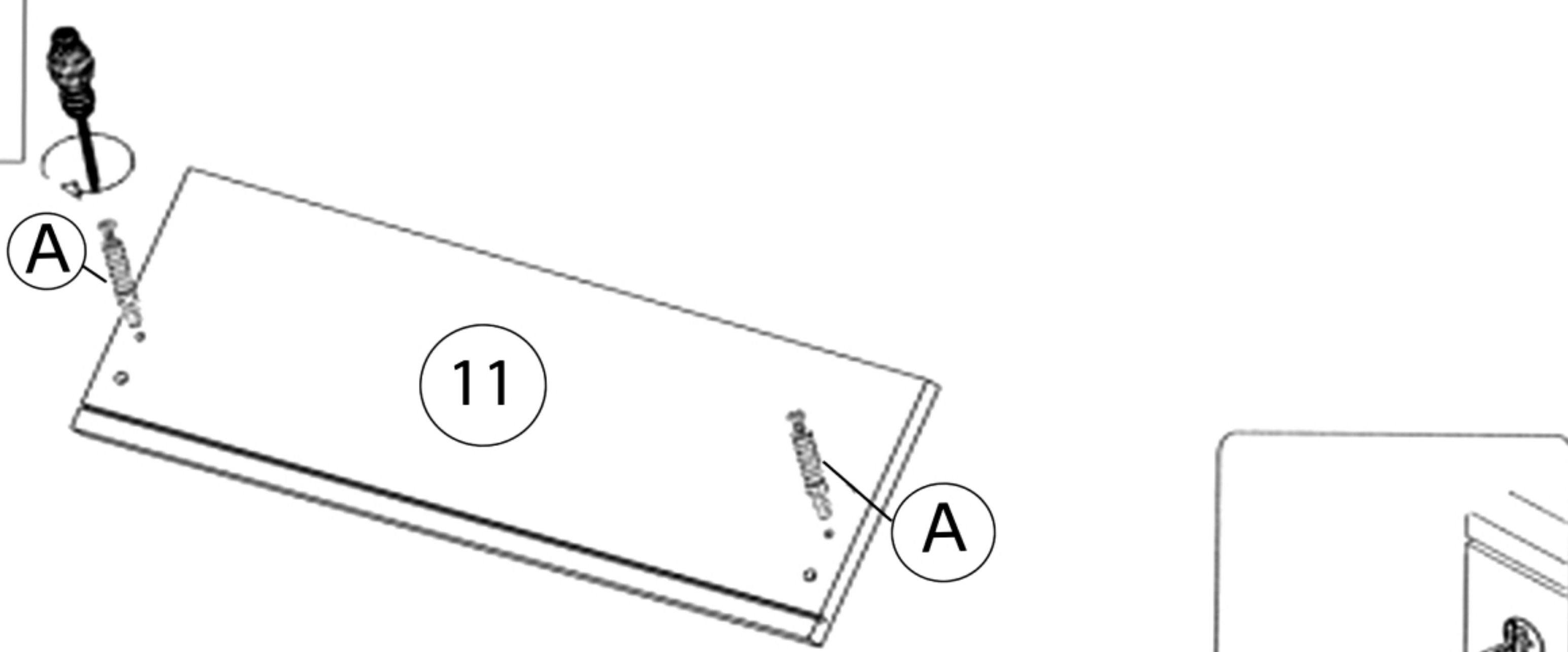
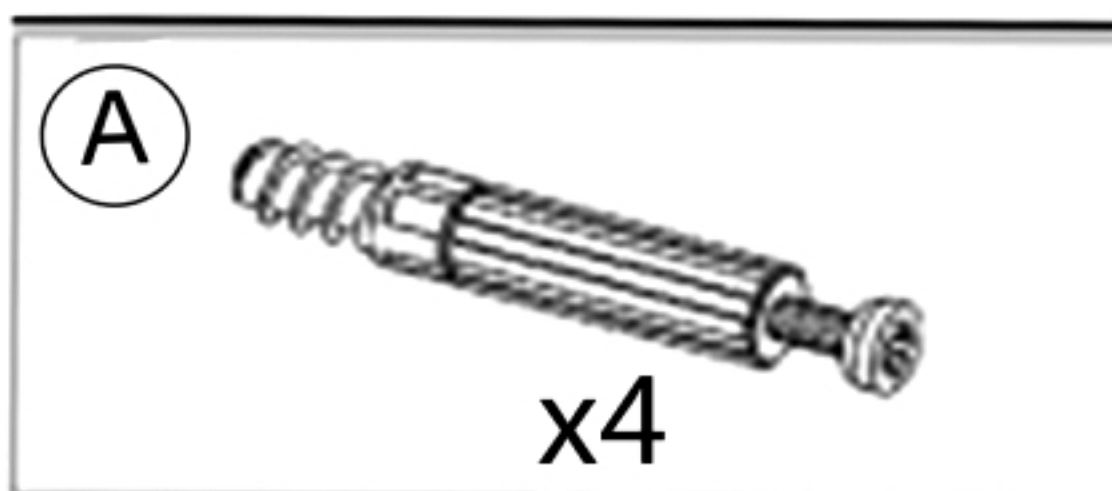


x4

9



x2



x2

