
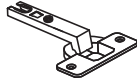


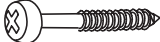
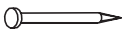
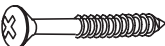
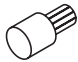

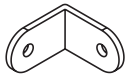

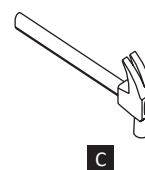
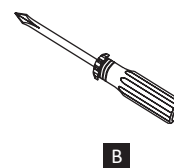
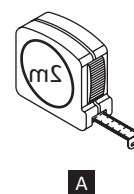
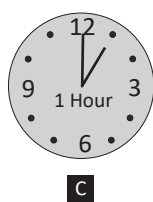
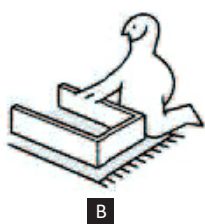
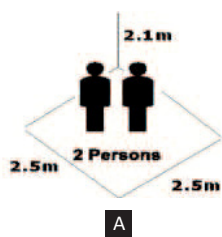
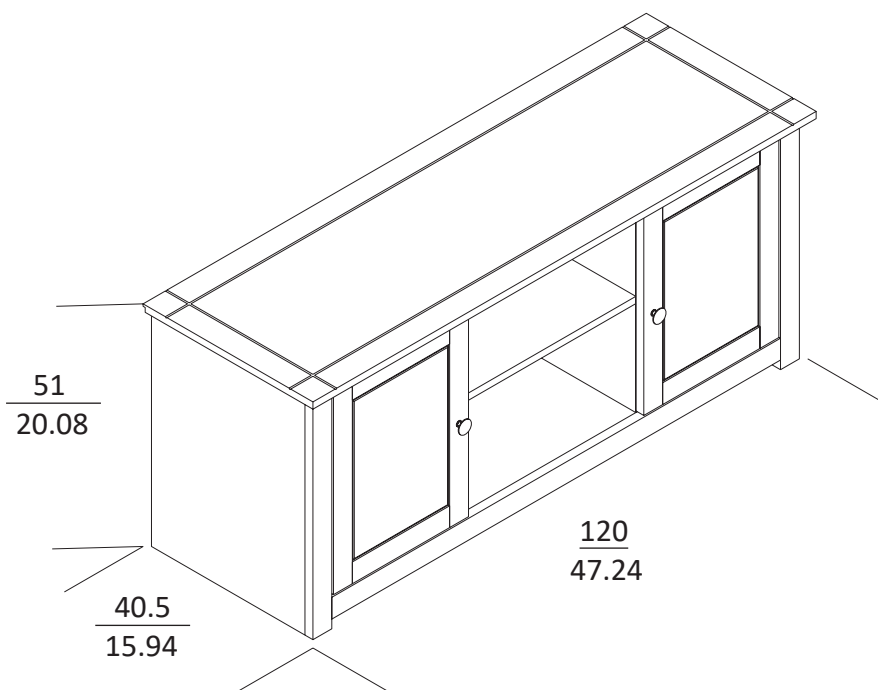
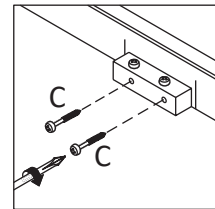
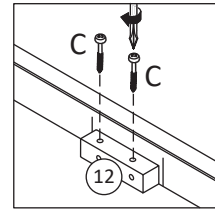
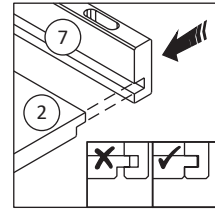
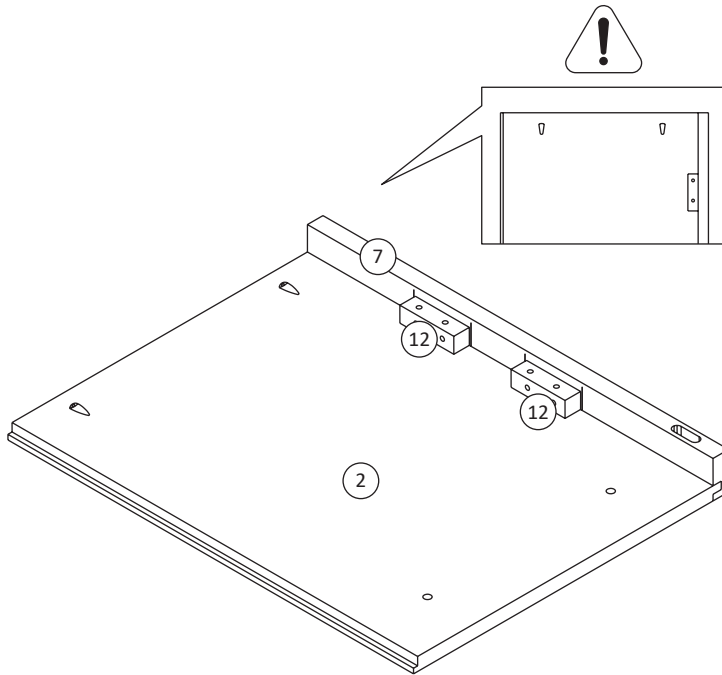


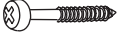
A		$\Phi 8.0 \times 30$	x16	G		x4
B		$\Phi 3.5 \times 14$	x18	H		x4
C		$\Phi 4.0 \times 30$	x34	I		8x8 x26
D		$\Phi 4.0 \times 40$	x4	J		x4
E		25mm	x2	K		x1
F			x2			

cm
inch

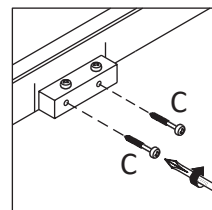
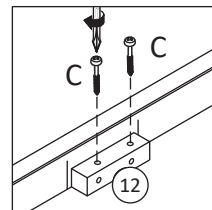
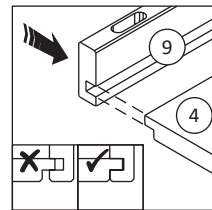
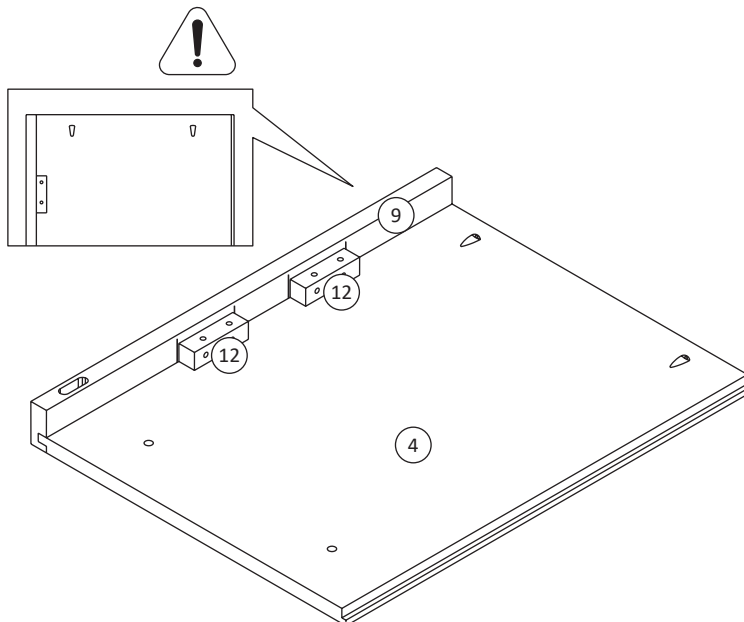



(01)



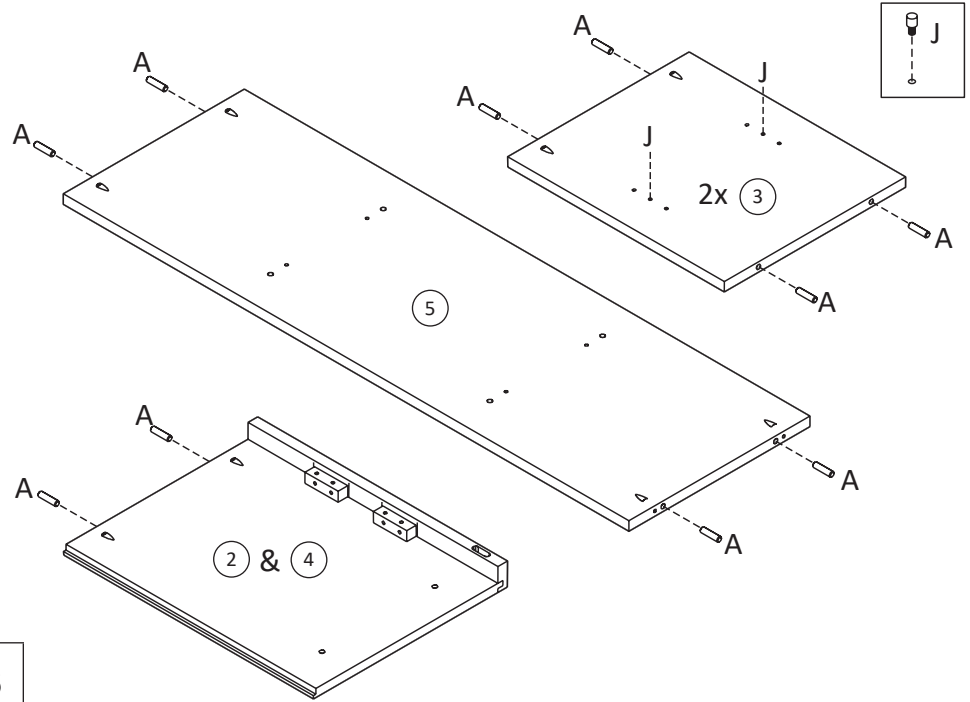
C		x8
$\Phi 4.0 \times 30$		

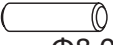
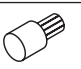
(02)



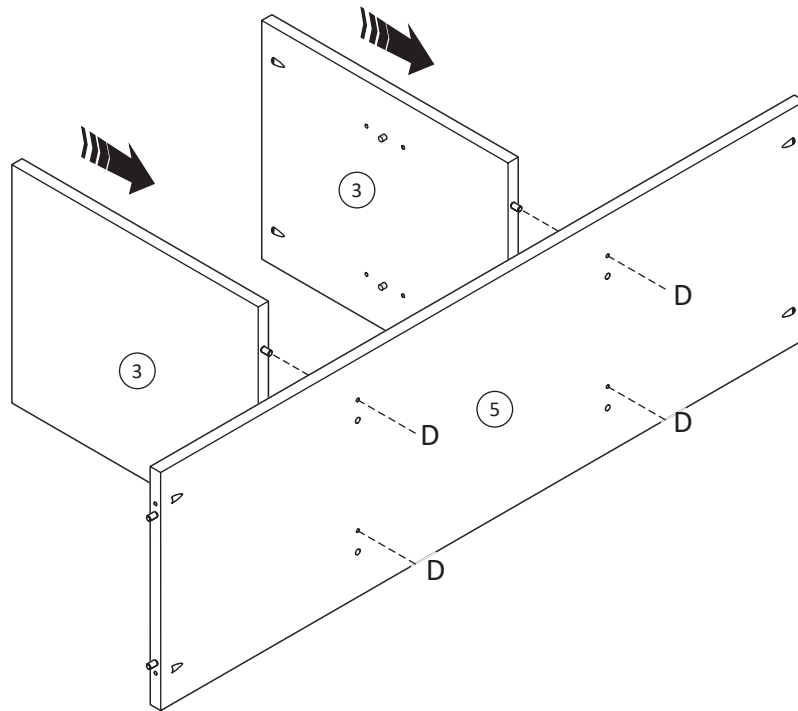
C		x8
$\Phi 4.0 \times 30$		

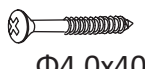
(03)



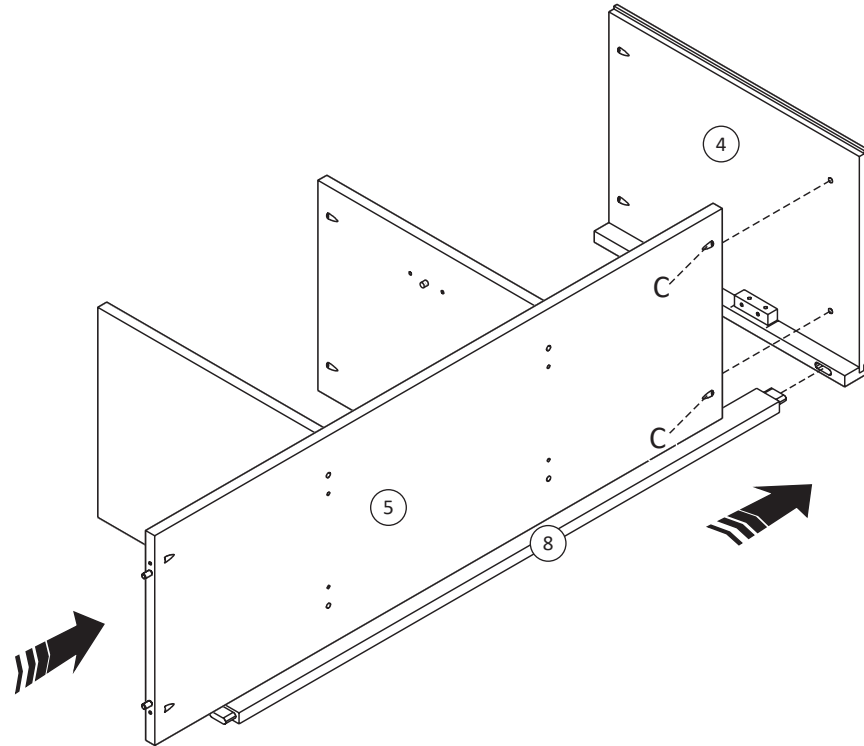
A	 Φ8.0x30	x16
J		x4


(04)



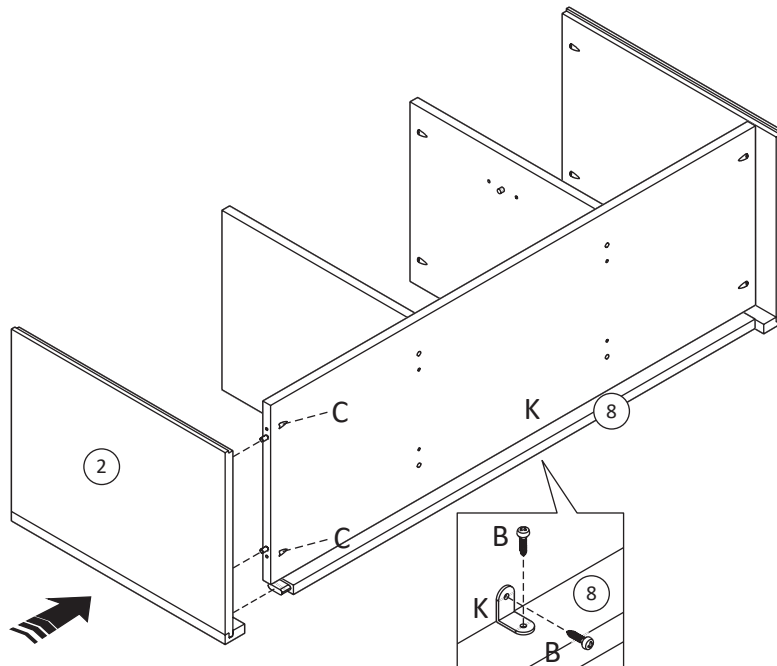
D	 Φ4.0x40	x4
---	--	----


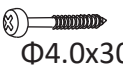
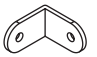
(05)



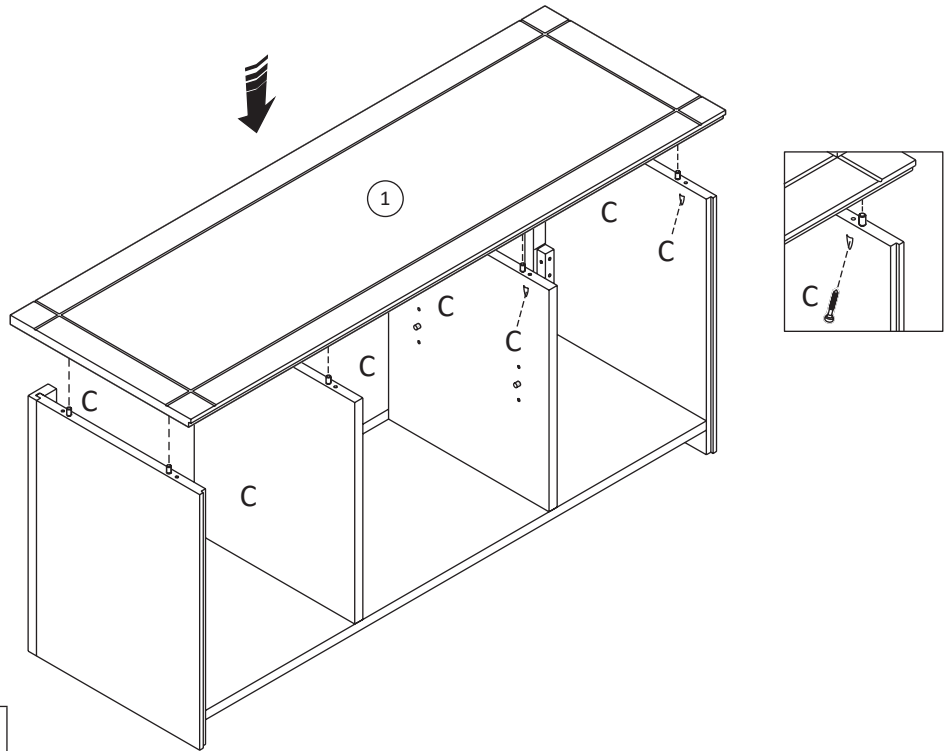
C		x2
---	---	----

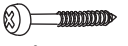
(06)



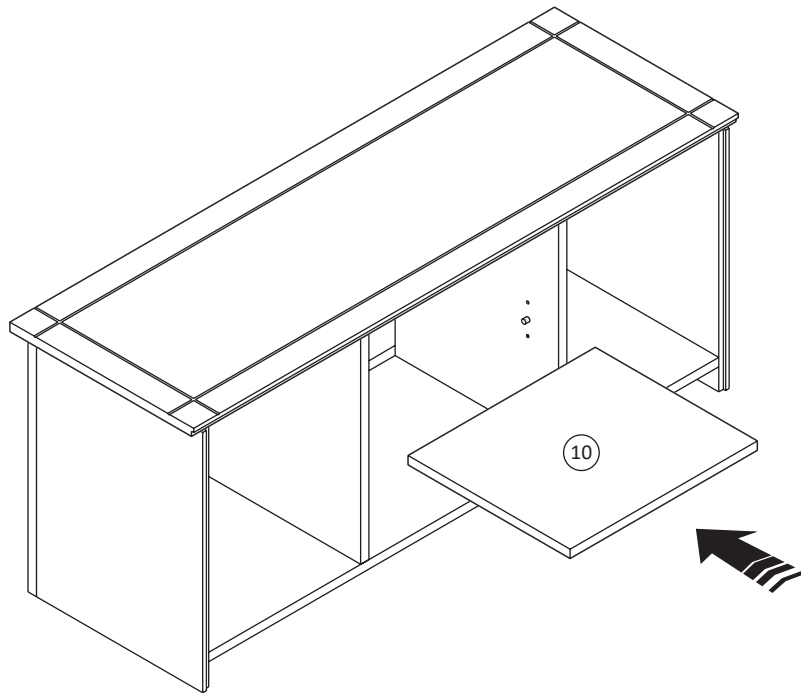
B		x2
C		x2
K		x1

(07)

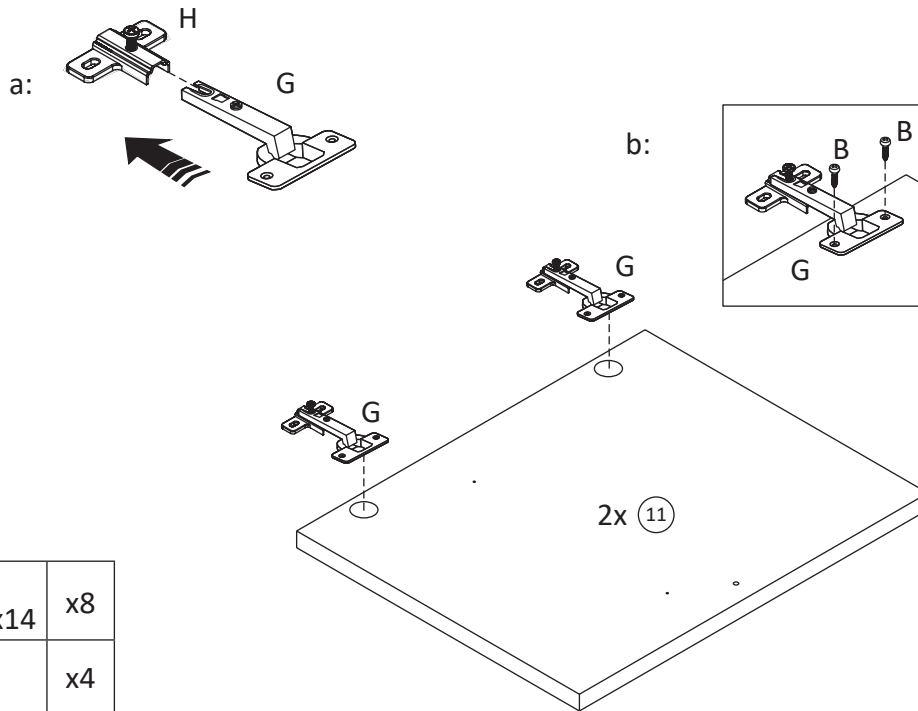



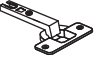

C		x8
Φ4.0x30		

(08)

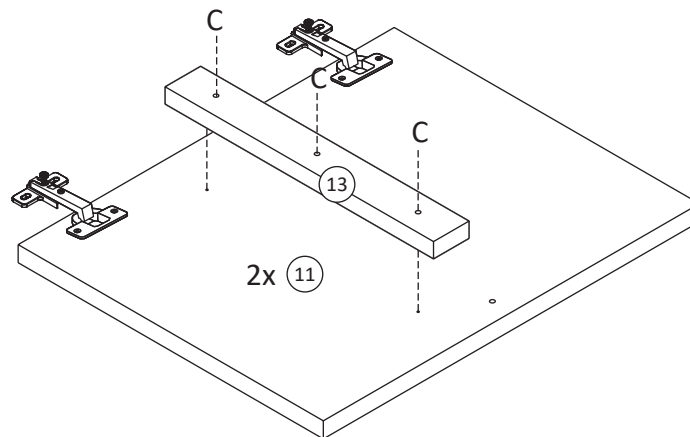


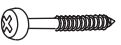
(09)



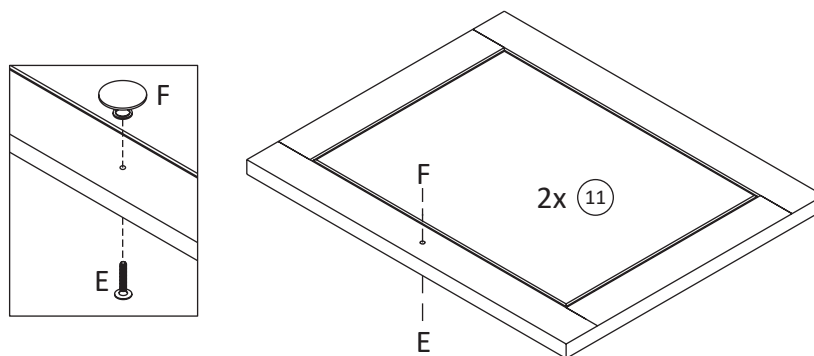
B	 Φ3.5x14	x8
G		x4
H		x4



(10)



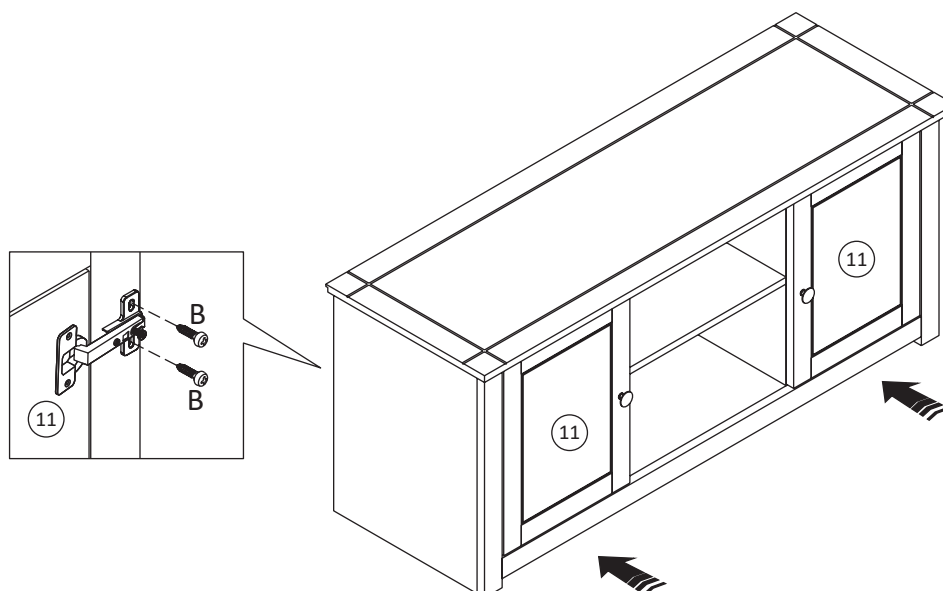
C	 Φ4.0x30	x6
---	--	----


(11)



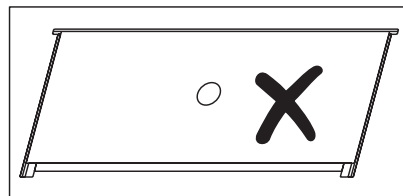
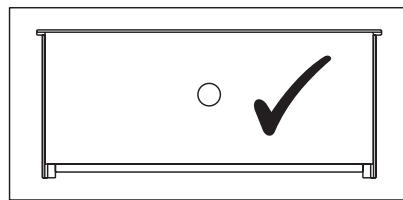
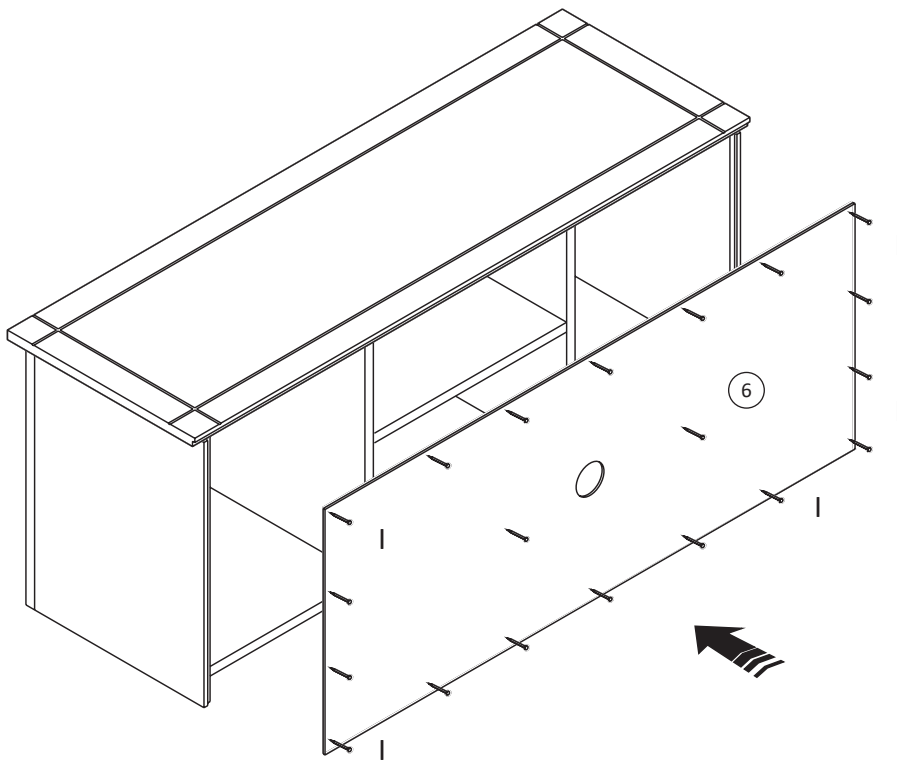
E	 25mm	x2
F		x2

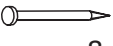
(12)



B	 $\Phi 3.5 \times 14$	x8
---	--	----

(13)



I		x26
	8x8	