

USER MANUAL

▼
Model: RS-165

INTRODUCTION

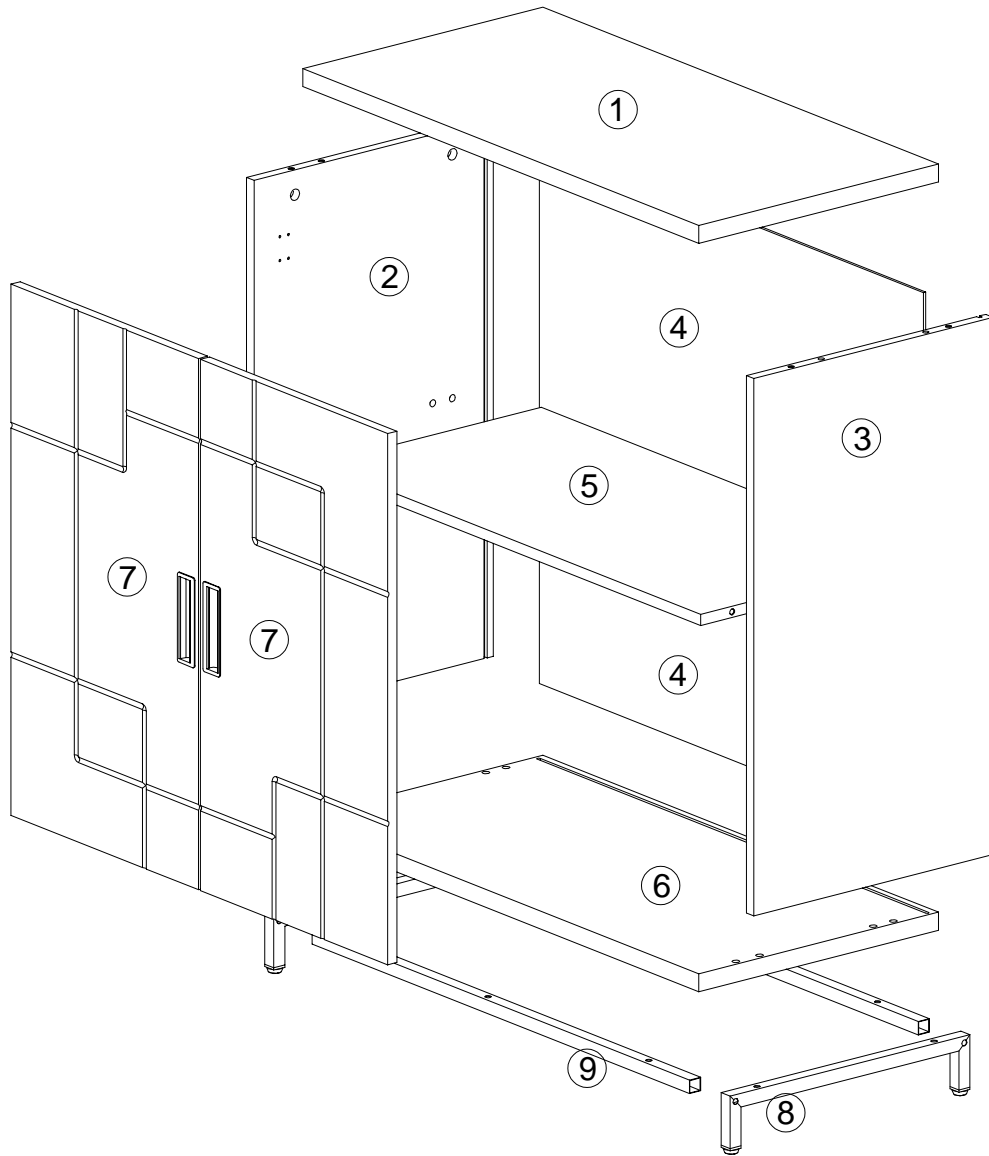
Thank you for purchasing our products. Committed to providing customers with the best quality products and service has always been our lifelong goal. Before using the product, please read this instruction manual carefully to ensure correct use. Keep the instruction manual in a place where the user can find it at any time.

PRECAUTIONS

1. There are many components and accessories in the package. Each component and accessory is labeled with a letter or a number, check carefully before using any of them. Keep them away from children to prevent accidents.
Please install the product on a clean and soft underlay (such as carpet or cardboard) to avoid scratching or damaging the surface of the product.
2. The main components of the product is relatively heavy. Please pay attention to safety during installation.
3. The product is not stable during installation. Please do not move it randomly before it is completely installed.
4. If you have any questions during installation, please contact the customer service in time.

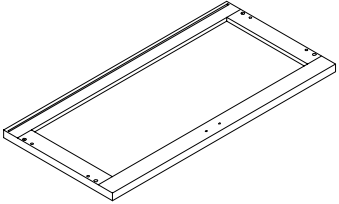
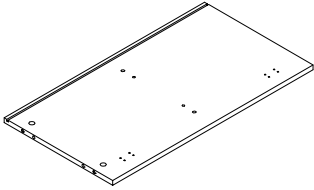
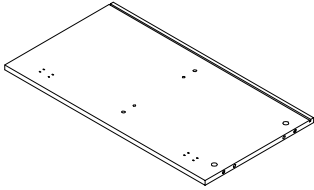
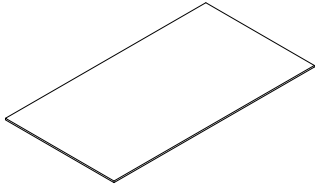
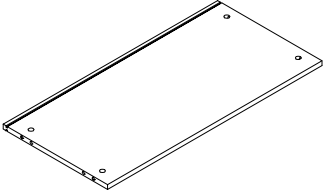
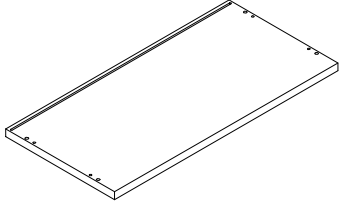
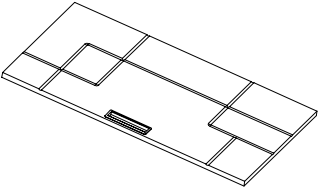
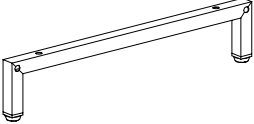
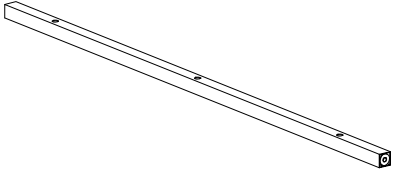
*PLEASE BE SURE TO FOLLOW THE INSTALLATION STEPS IN THE MANUAL TO AVOID UNNECESSARY LOSSES CAUSED BY IMPROPER INSTALLATION.

*IF YOU NEED FURTHER ASSISTANCE, PLEASE CONTACT THE CUSTOMER SERVICE ONLINE.

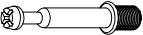






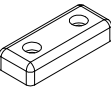

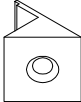


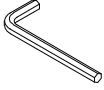



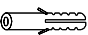



PARTS LIST

Unit(mm)

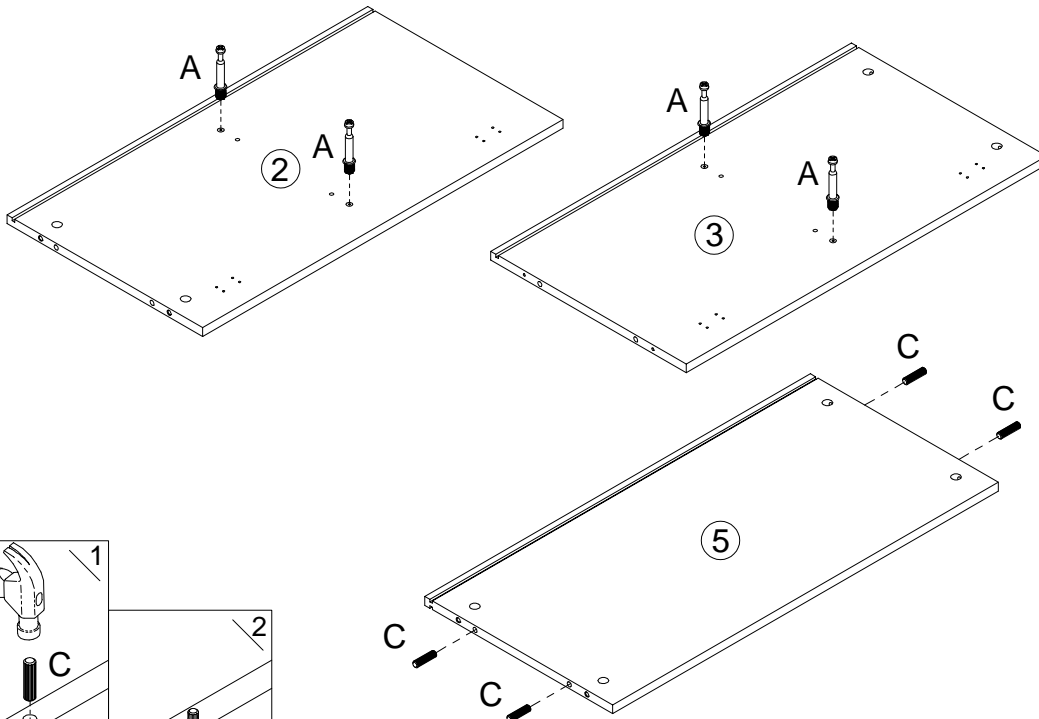
<p>① 800×390×24</p>  <p>x1</p>	<p>② 718×388×15</p>  <p>x1</p>	<p>③ 718×388×15</p>  <p>x1</p>
<p>④ 776×358×4</p>  <p>x2</p>	<p>⑤ 768×373×15</p>  <p>x1</p>	<p>⑥ 800×390×24</p>  <p>x1</p>
<p>⑦ 710×379×15</p>  <p>x2</p>	<p>⑧ 384×70×18</p>  <p>x2</p>	<p>⑨ 18×18×758</p>  <p>x2</p>

HARDWARES LIST

<p>A Ø6x40mm</p>  <p>x8pcs(+1)</p>	<p>B Ø15x9.5mm</p>  <p>x8pcs(+1)</p>	<p>C Ø8x30mm</p>  <p>x12pcs(+1)</p>	<p>D Ø6x40mm</p>  <p>x4pcs(+1)</p>	<p>E Ø6x30mm</p>  <p>x14pcs(+1)</p>	<p>F Ø3.5x14mm</p>  <p>x24pcs(+2)</p>		
<p>G Ø3.5x16mm</p>   <p>x1pc</p>	<p>H Ø3.5x16mm</p>   <p>x12pcs</p>	<p>I Ø35mm Large radian curved door hinge(Inbuilt)</p>  <p>x4pcs</p>	<p>J</p>   <p>x1pc</p>				
<p>KK</p>  <p>x2pcs</p>	<p>LL</p>  <p>x2pcs</p>	<p>MM</p>  <p>x2pcs</p>	<p>OO</p>  <p>x2pcs</p>	<p>NN</p>  <p>x4pcs</p>			

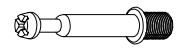
INSTALLATION STEPS

1



YOU WILL NEED

Ax4

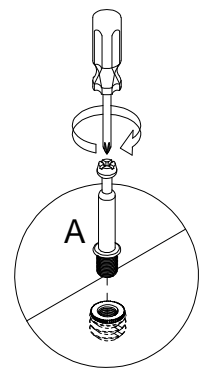


Ø6x40mm

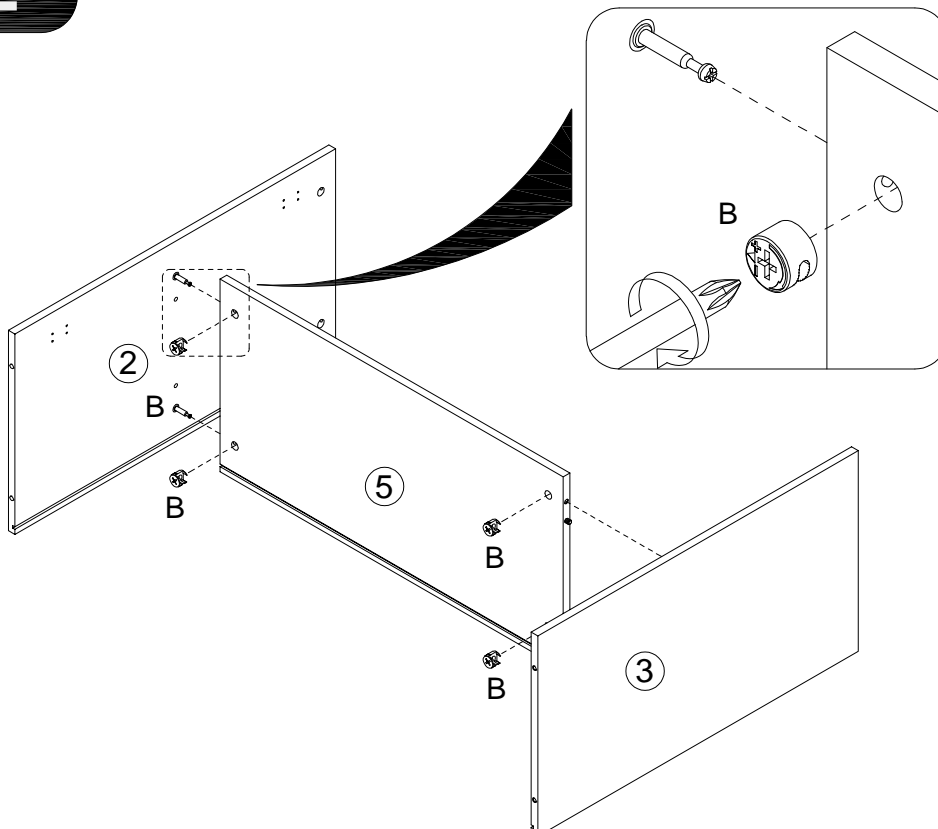
Cx4



Ø8x30mm



2



YOU WILL NEED

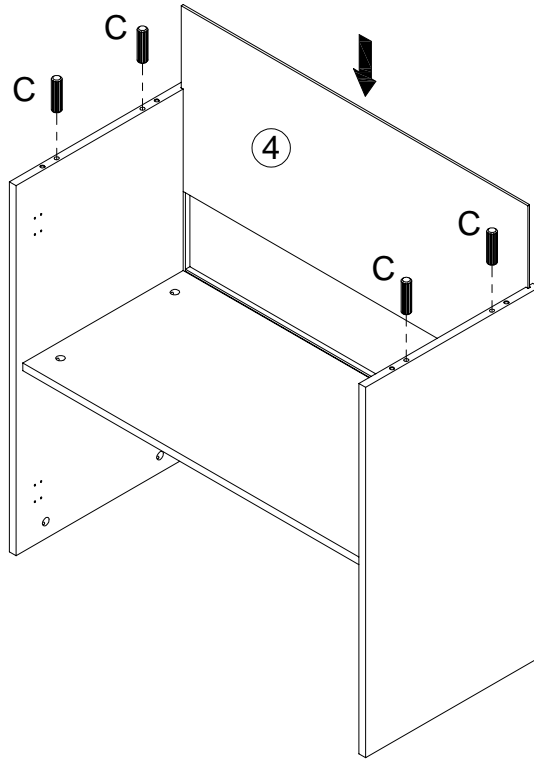
Bx4



Ø15x9.5mm

INSTALLATION STEPS

3

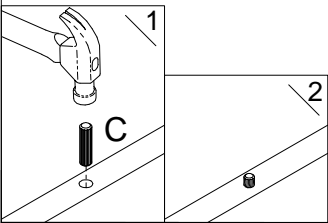


YOU WILL NEED

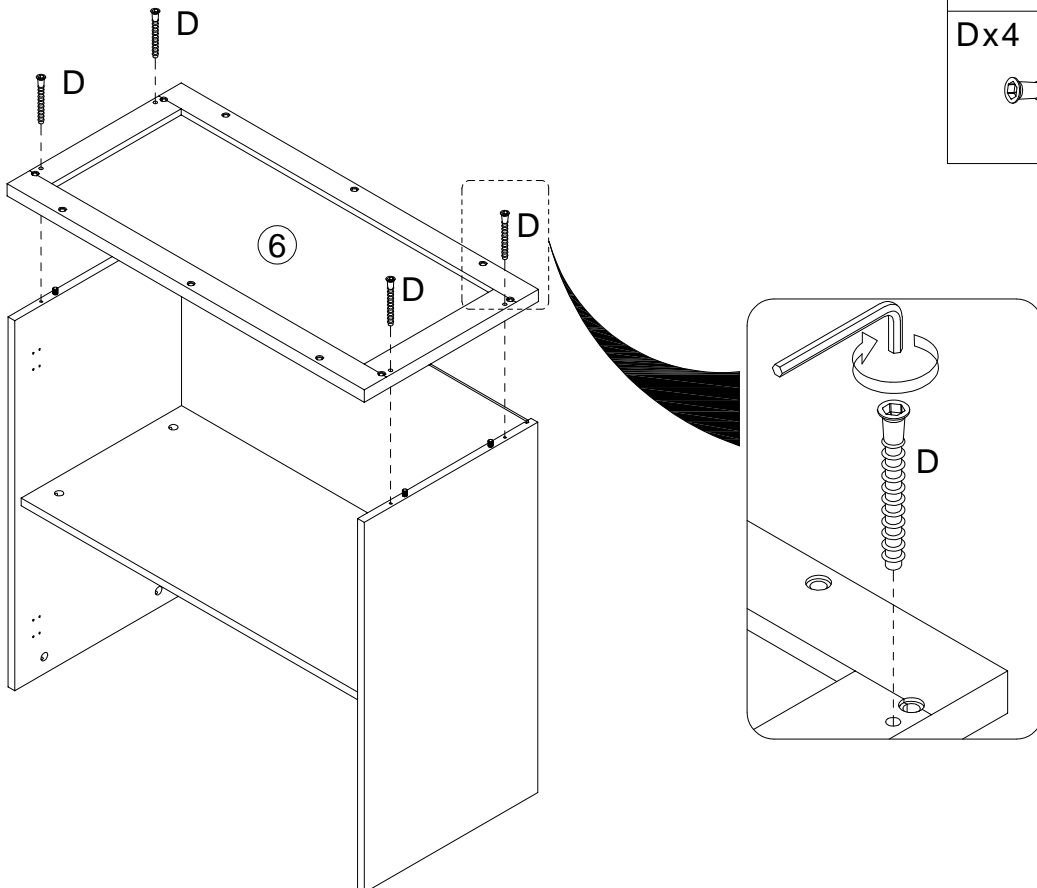
Cx4



Ø8x30mm

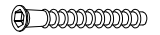


4



YOU WILL NEED

Dx4



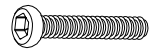
Ø6x40mm

INSTALLATION STEPS

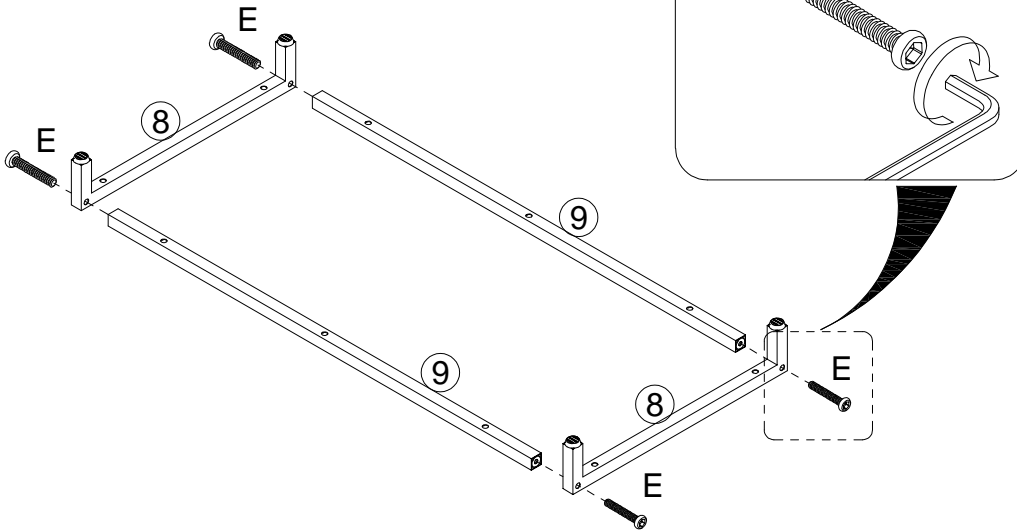
5

YOU WILL NEED

Ex4



Ø6x30mm



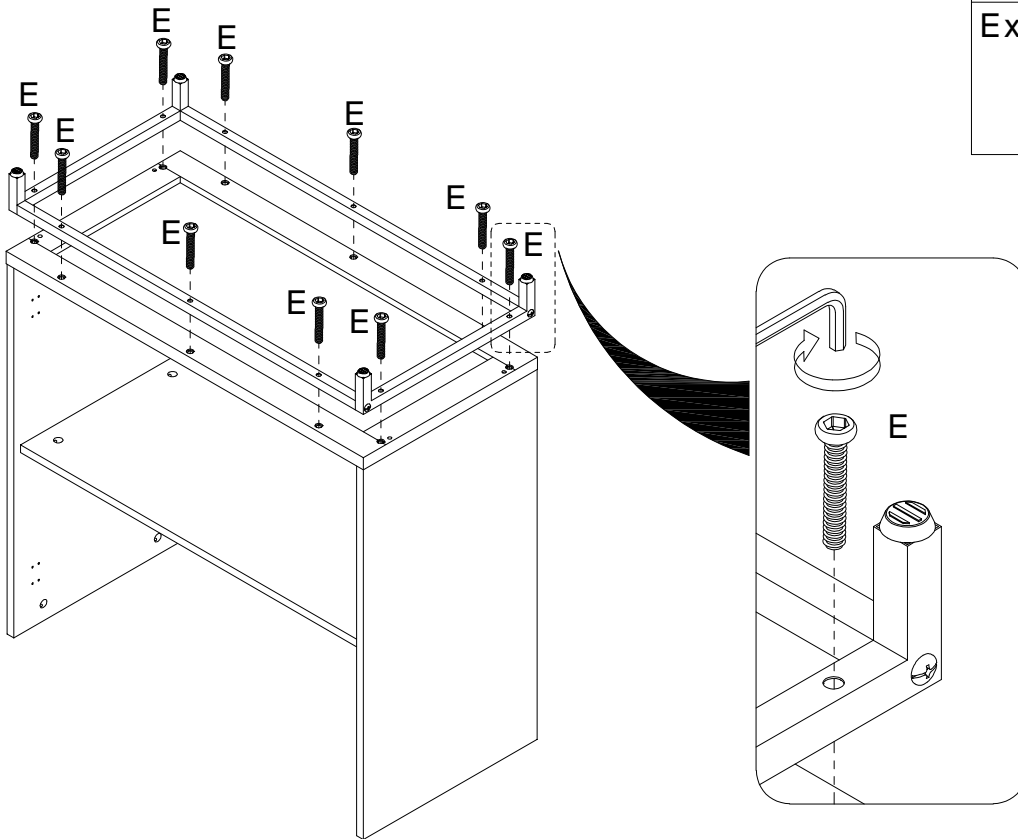
6

YOU WILL NEED

Ex10

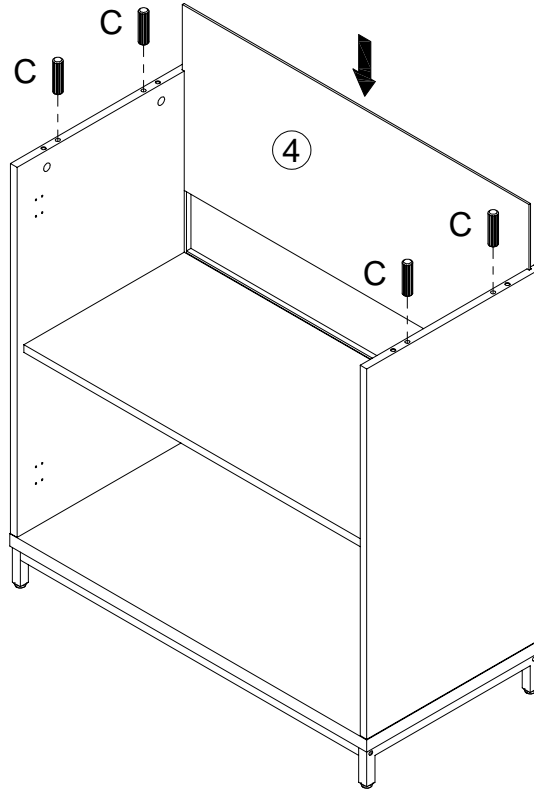


Ø6x30mm



INSTALLATION STEPS

7

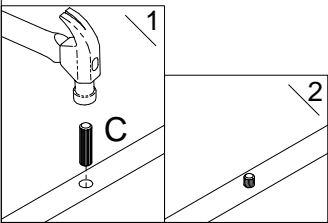


YOU WILL NEED

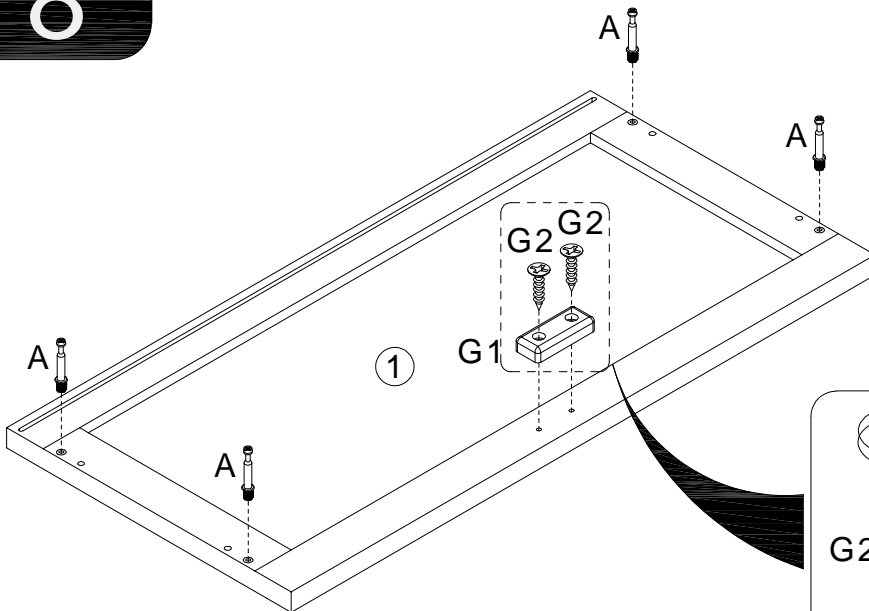
Cx4



Ø8x30mm



8



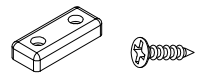
YOU WILL NEED

Ax4

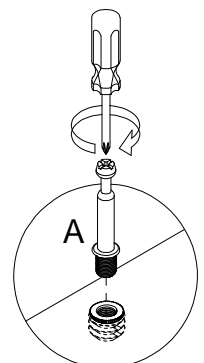
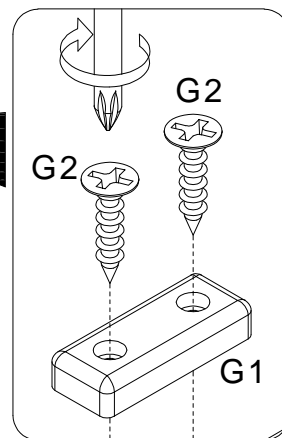


Ø6x40mm

Gx1

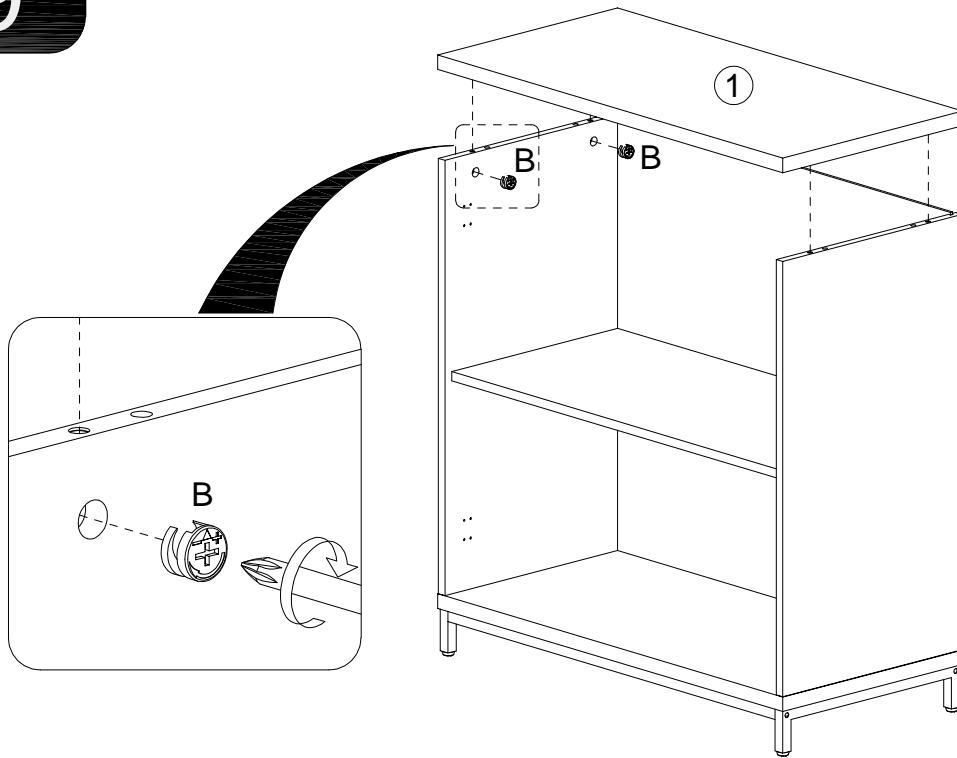


Ø3.5x16mm



INSTALLATION STEPS

9



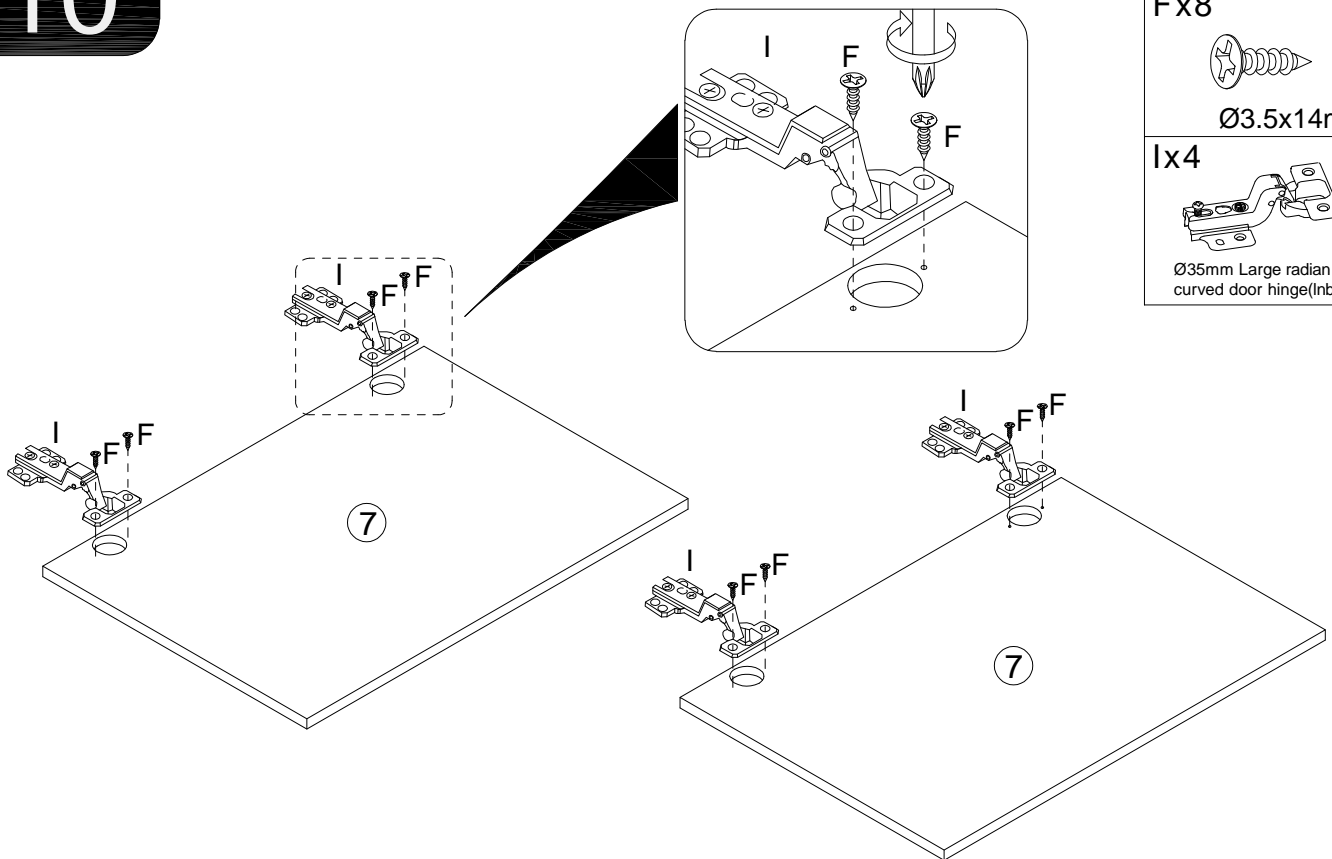
YOU WILL NEED

Bx4



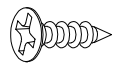
Ø15x9.5mm

10



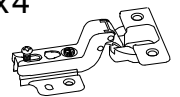
YOU WILL NEED

Fx8



Ø3.5x14mm

Ix4



Ø35mm Large radian curved door hinge(Inbuilt)

INSTALLATION STEPS

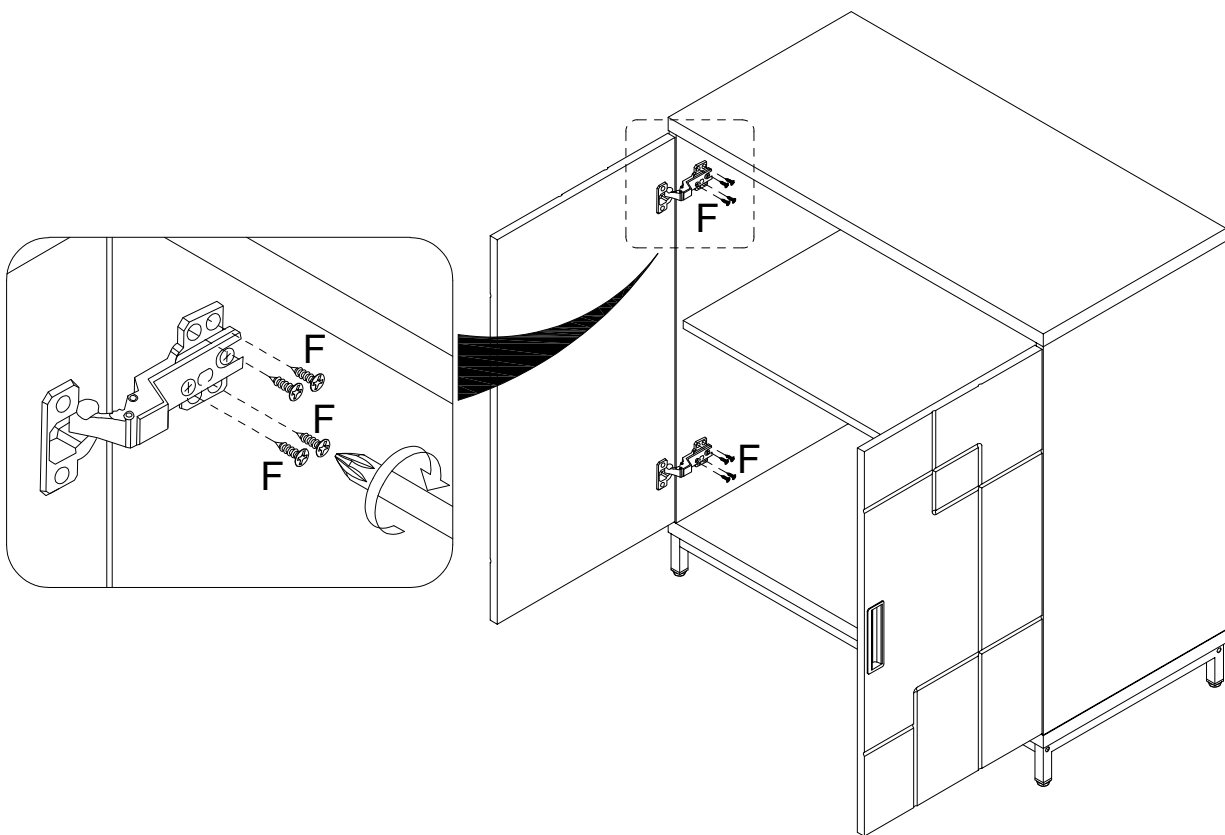
11

YOU WILL NEED

Fx16



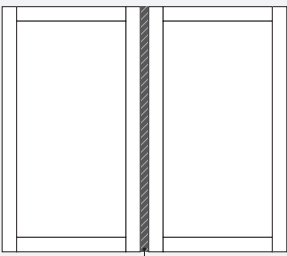
! 3.5x14mm



The ways to adjust the door:

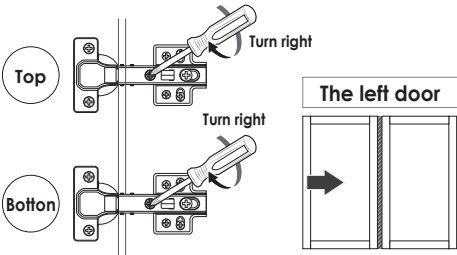
1. Before adjusting the hinge, please check whether the cabinet is skewed.
2. If the skew can not be repaired, adjust the cabinet to vertical position.
3. Please adjust the hinge with the door open

Obvious gaps between doors or Doors don't look closed



Have gap

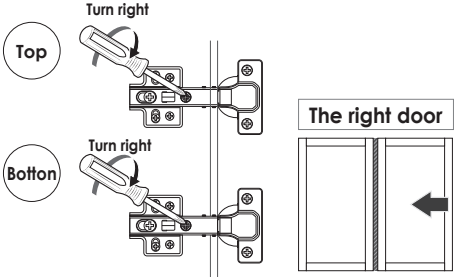
1 Turn "internal & external screw" to the right can make the door approach inside. Please adjust the doors little by little.



Top Turn right

Bottom Turn right

The left door



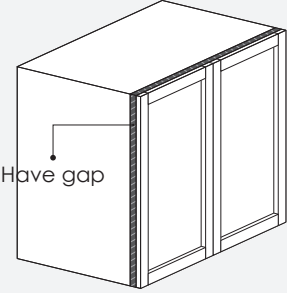
Top Turn right

Bottom Turn right

The right door

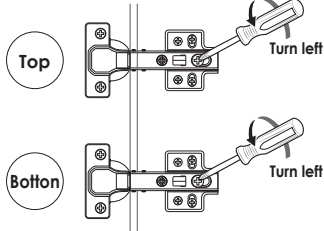
*** If the 2 doors are overlap, please turn the "internal & external screw" to the left.**

When door is crooked



Have gap

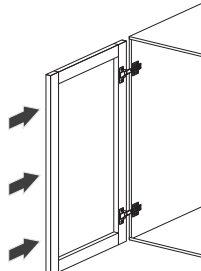
1 Rotate the "front and rear screws" to the left.



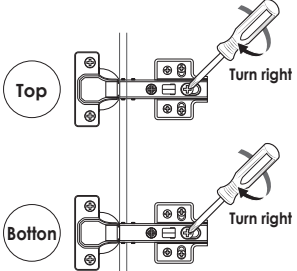
Top Turn left

Bottom Turn left

2 Push the door to the cabinet.



3 Rotate the "front and rear screws" to the right.

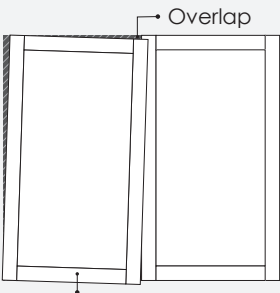


Top Turn right

Bottom Turn right

***After adjusting the "front and rear screw", the door still does not change, please turn the "internal & external screw" to the right Slightly.**

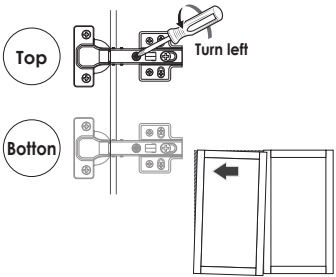
When door is leaning



Overlap

Protruding to the underside

Turn "internal & external screw" to the left can make the top of the door tilted outward.



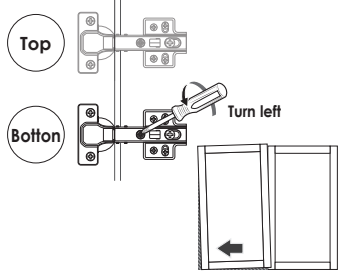
Top Turn left

Bottom Turn left

Protruding to the upside

Overlap

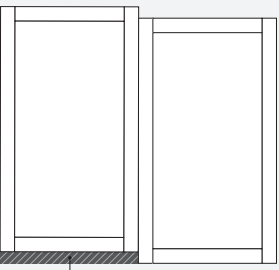
Turn "internal & external screw" to the left can make the bottom of the door tilted outward.



Top Turn left

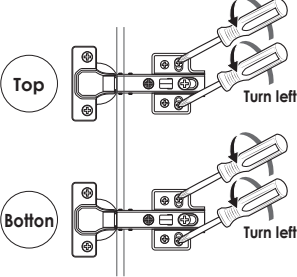
Bottom Turn left

When the door is higher on top



Have gap

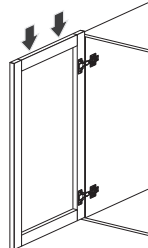
1 Turn "up & down screw" to the left.



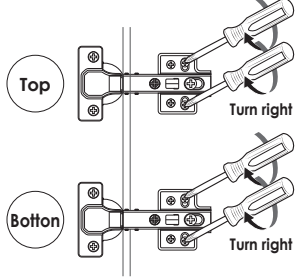
Top Turn left

Bottom Turn left

2 Lower the door's height so that 2 doors are of the same height.



3 Turn "up & down screw" to the right.



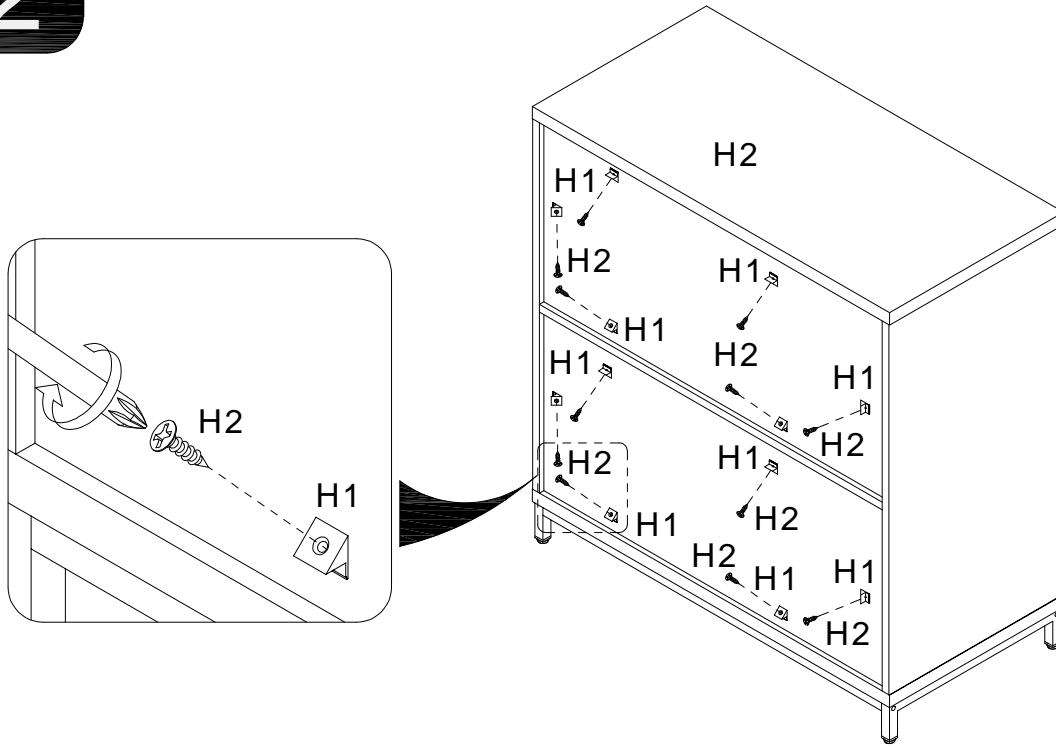
Top Turn right

Bottom Turn right

***If the door is lower on bottom, please lift up the left door slightly on step 2.**

INSTALLATION STEPS

12



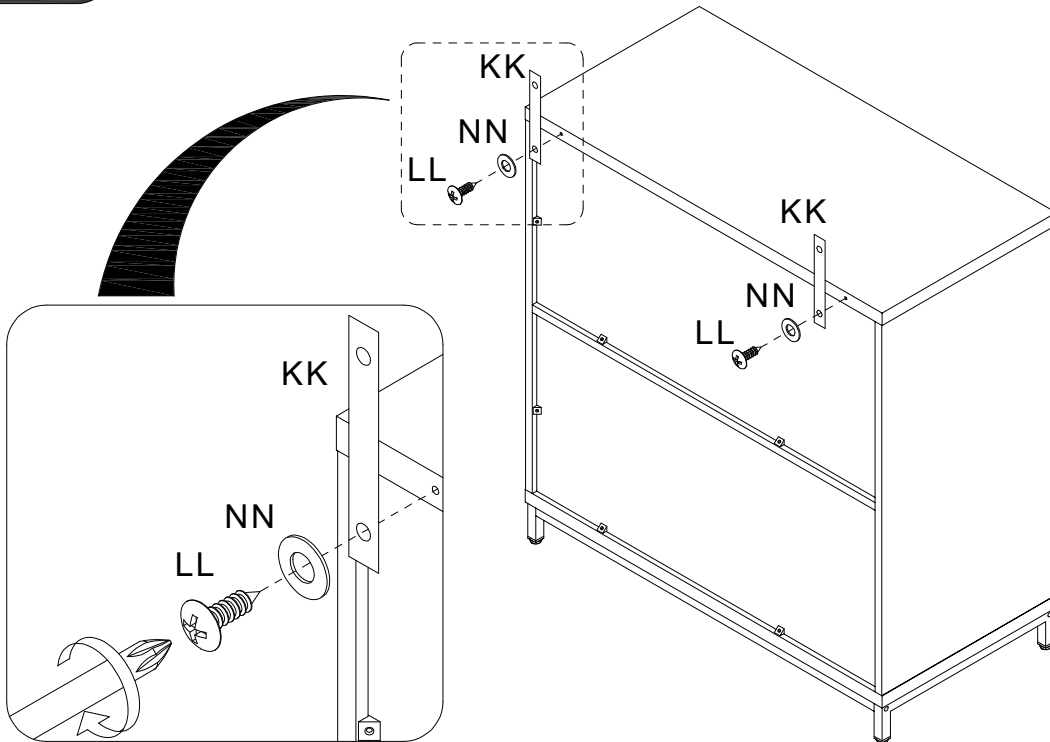
YOU WILL NEED

Hx12



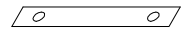
Ø3.5x16mm

13

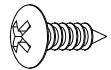


YOU WILL NEED

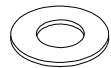
KKx2



LLx2

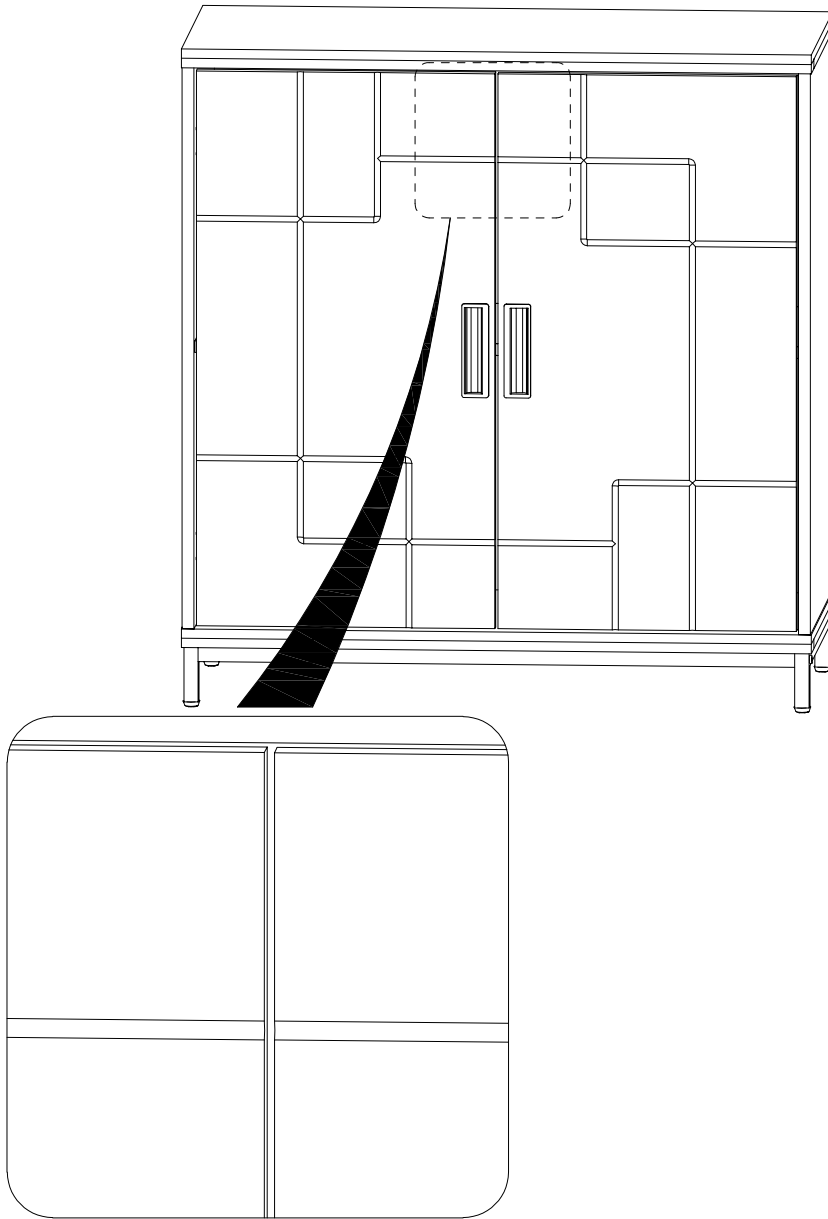


NNx2



INSTALLATION STEPS

14



WARNING: If the two doors or the gold lines on the two doors are not aligned, please adjust the adjustable foot pads to realign them.

INSTALLATION STEPS

15

IMPORTANT!

For safety reasons, we recommend that you install the anti-tip accessory by following the instructions below.

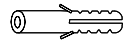
If installed correctly, this accessory may prevent the unit from accidentally tipping over.

YOU WILL NEED

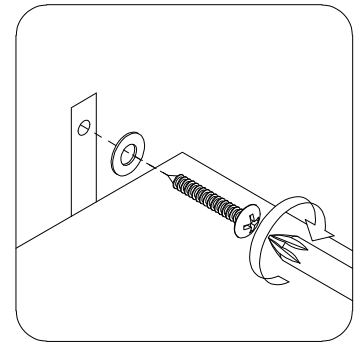
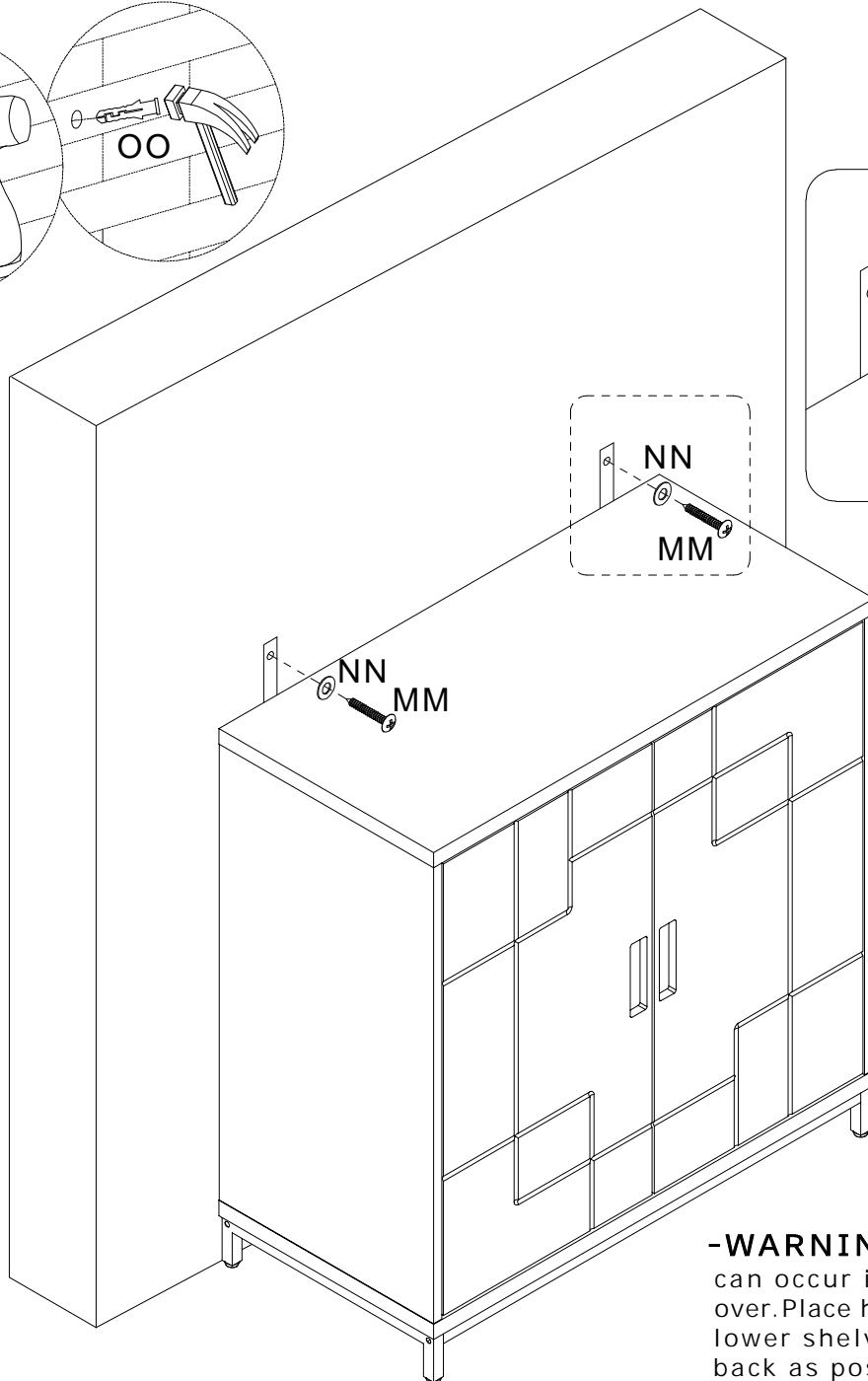
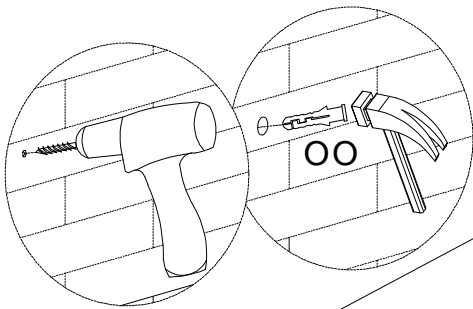
MMx2



OOx2



NNx2



-WARNING- Serious injury can occur if furniture tips over. Place heavy items on lower shelved and as far back as possible.

Model: RS-165

Jiangmen City Xinhui District Xin Yun Xiang Craftworks Co.,LTD
Add: North Ring Roadside, Shiming Village, Siqian Town,
Xinhui District, Jiangmen City,Guangdong Province, China.

Made in China 