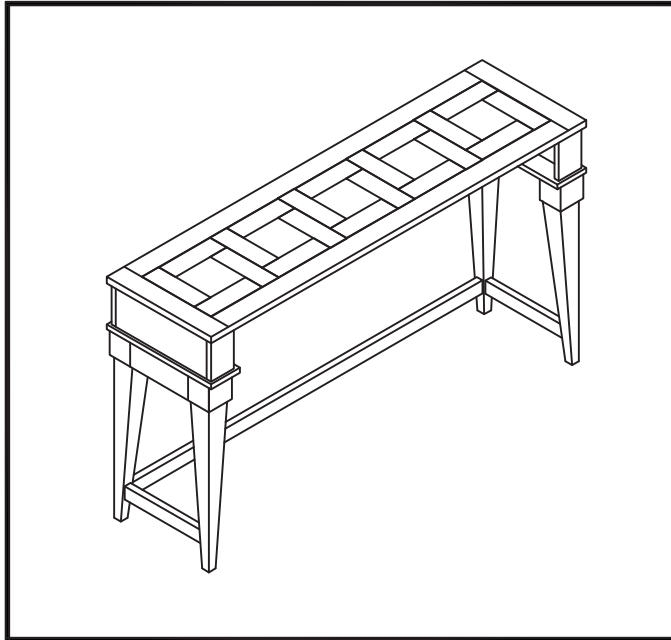




**ITEM # 226-OT6537**

**DESCRIPTION Console Bar Table**

Thank you for purchasing this quality product. Be sure to check all packing material carefully for small parts which may have come loose inside the carton during shipment. Identify and count all parts and compare with the parts list below:

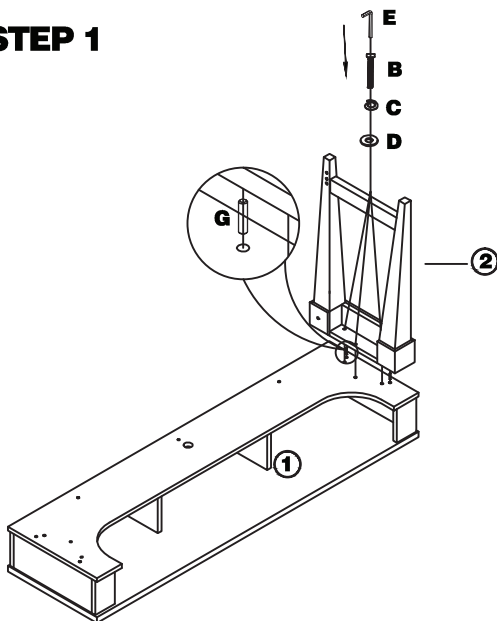


**PARTS LIST**

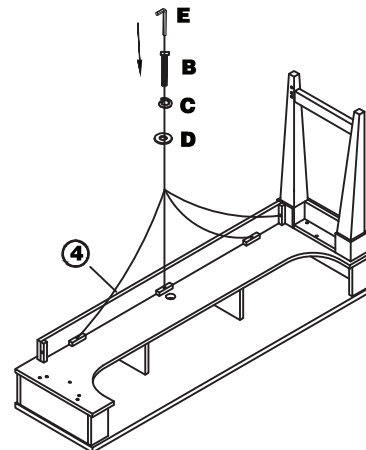
NO.	SKETCH	DESCRIPTION	Q'TY
①		Top	1 pc
②		Left Side Frame	1 pc
③		Right side Frame	1 pc
④		Back Rail	1 pc
⑤		Stretcher	1 pc

⑥			
ASSEMBLY HARDWARE PACK			
NO.	SKETCH	DESCRIPTION	Q'TY
A		Bolt Ø1/4"x1/2"	4 pcs
B		Bolt Ø1/4"x1-1/2"	11 pcs
C		Spring Washer	15 pcs
D		Flat Washer	15 pcs
E		Allen Wrench 4mm	1 pc
F		"L" Bracket	2 pcs
G		Wood Dowel Ø8x30mm	4 pcs

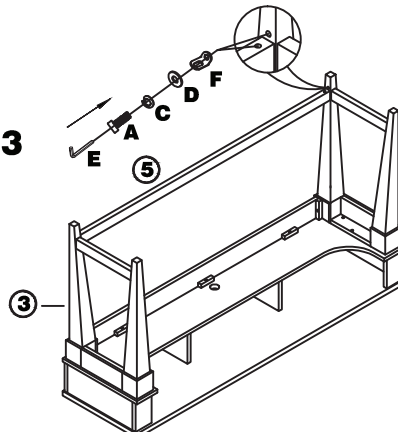
**STEP 1**



**STEP 2**



**STEP 3**



**NOTE: DO NOT TIGHTEN ALL THE BOLTS UNTIL THEY ARE INSTALLED IN CORRESPONDING HOLES!**