

**INSTRUCTION MANUAL ENCLOSED**

**ATTENTION**

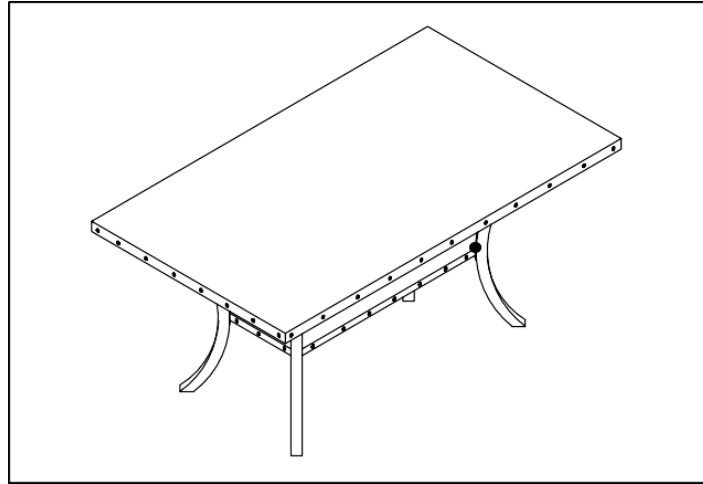
**IF YOU HAVE ANY PROBLEMS OR QUESTIONS, EMAIL OR CALL  
CUSTOMER SERVICE BEFORE YOU RETURN THIS PRODUCT TO THE  
STORE WHERE IT WAS PURCHASED.**

**\*\*When emailing Customer Service, please include your **Order Number** and **platform of purchase** in the email subject for quicker assistance.**

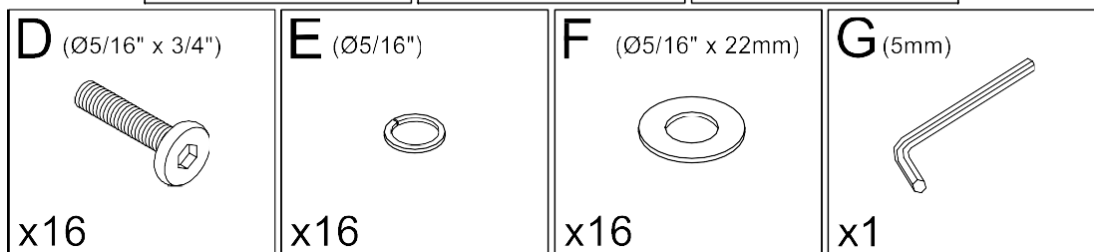
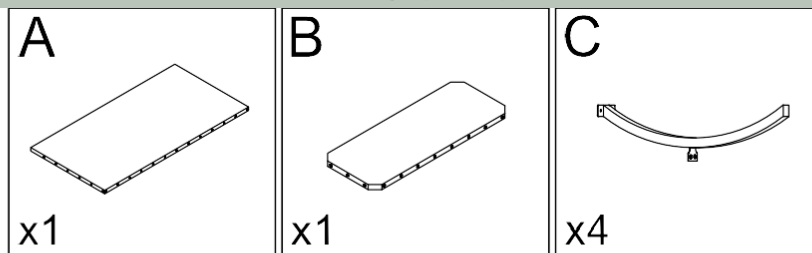
**INSTRUCTION MANUAL ENCLOSED**

# 1PC DINNING TABLE

## 1PC DINNING TABLE ASSEMBLY INSTRUCTION



Part	DESCRIPTION	Quantity
<b>PARTS LIST</b>		
<i>PARTS</i>		
A	Table Top	1
B	Shelf	1
C	Leg	4
<i>HARDWARE</i>		
D	Bolts (Ø5/16" x 3/4")	16
E	Lock Washer (Ø5/16")	16
F	Flat Washer (Ø5/16" x 22mm)	16
G	Allen Key (5mm)	1



## PLEASE READ AND FOLLOW ALL SAFETY TIPS

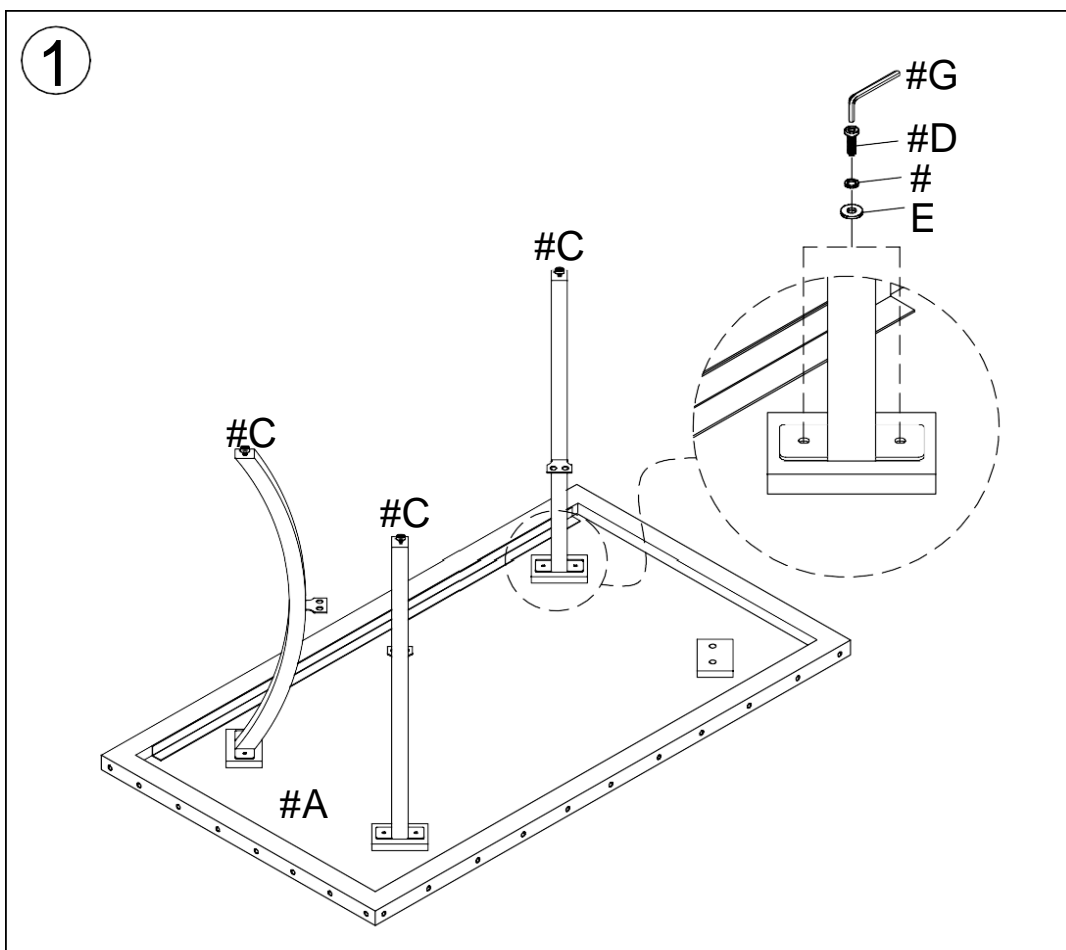
### GETTING STARTED

1. Before assembly, **CAREFULLY** use scissors or utility knife to cut and unwrap all parts. Make sure you do not discard the hardware.
2. Make sure that you have all the parts listed. If you are missing any parts, please contact Customer Service. Please identify the parts you need and model number. Make sure to include your name and address.
3. Please include your **Order Number** and **platform of purchase** in the email subject, and one of our customer service representative will get back to you.

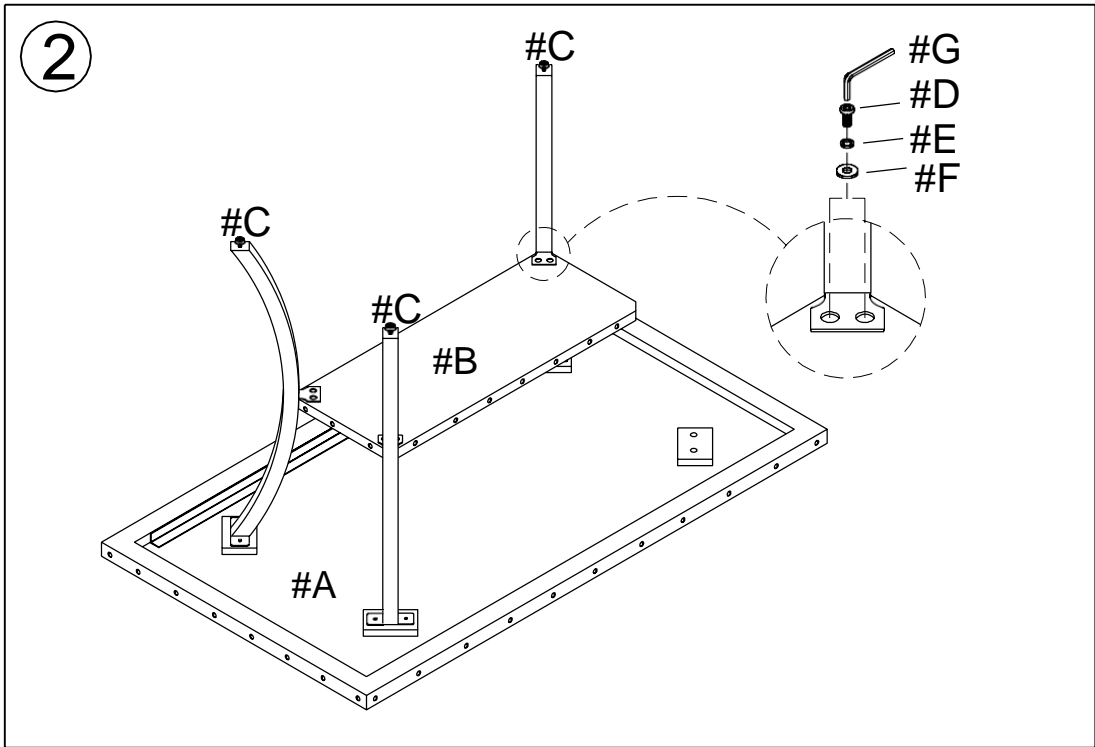
#### Warm Tips:

1. The plastic covers on some metal parts are just for product protection. Please remove it before assembly.
2. Please follow the sequence of AI during assembly.
3. Do not tighten the screws until all of them are in right positions.

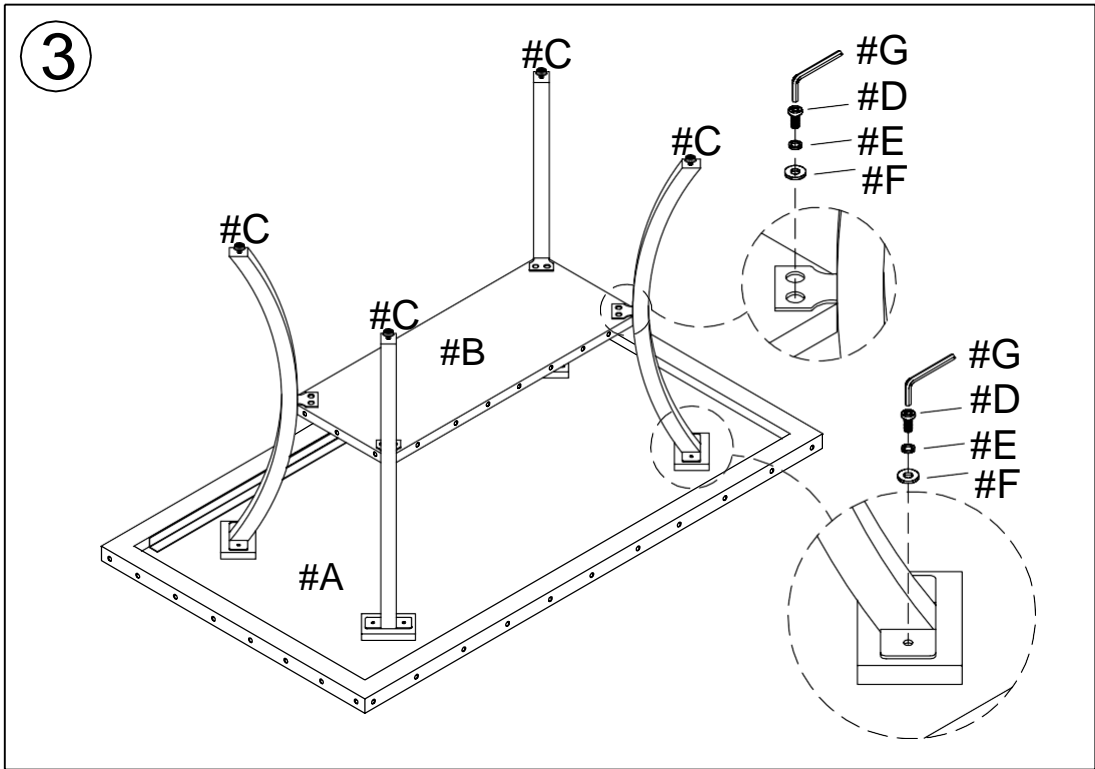
1. Locate each Legs (C) to the Table Top (A) by the pre-drilled threads. Use Allen Key (G) to fasten Bolts (D) with Washer (E, F). (Photo 1)



2. Locate Shelf (B) to the Legs (C) by the pre-drilled threads. Use Allen Key (G) to fasten Bolts (D) with Washer (E, F). (Photo 2)



3. Locate the other Leg (C) to the Table Top (A) and the Shelf (B) by the pre-drilled threads. Use Allen Key (G) to fasten Bolts (D) with Washer (E, F). (Photo 3)



Till now you have finished the whole assembly and enjoy your furniture!