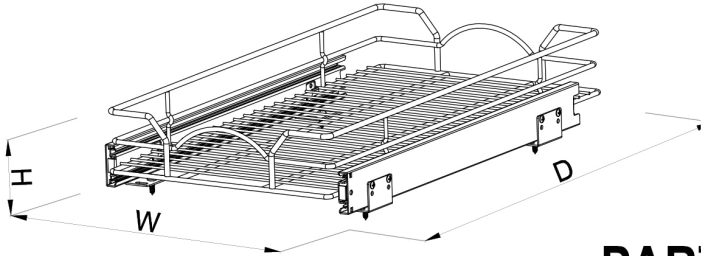


1 Tier Pull out Cabinet Organizer

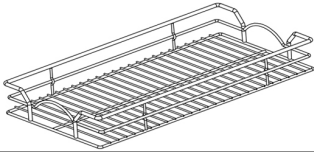
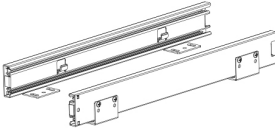
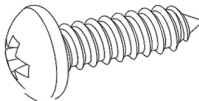
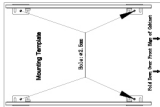
Installation Manual

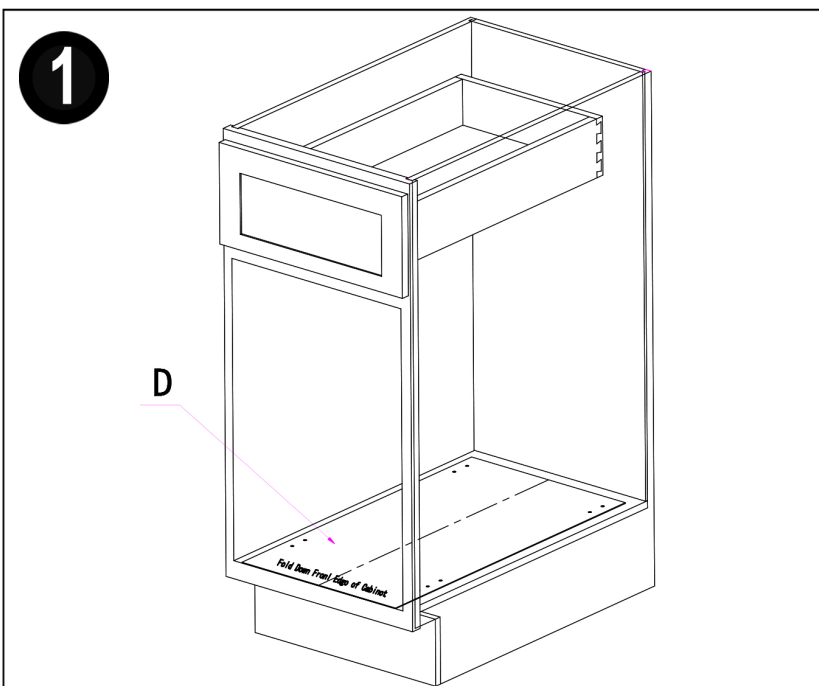
NOTE! Inspect all parts and read all instructions prior to beginning assembly and installation.



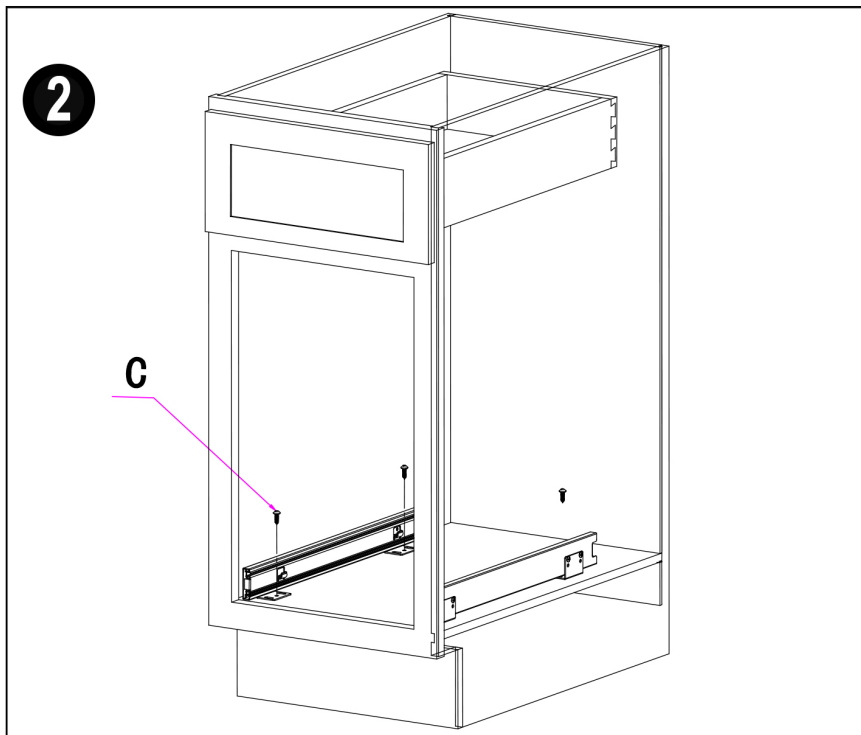
W (IN)	D (IN)	H (IN)
11.75"	21"	3.7"
14.75"	21"	3.7"
17.75"	21"	3.7"
20.75"	21"	3.7"

PARTS LIST

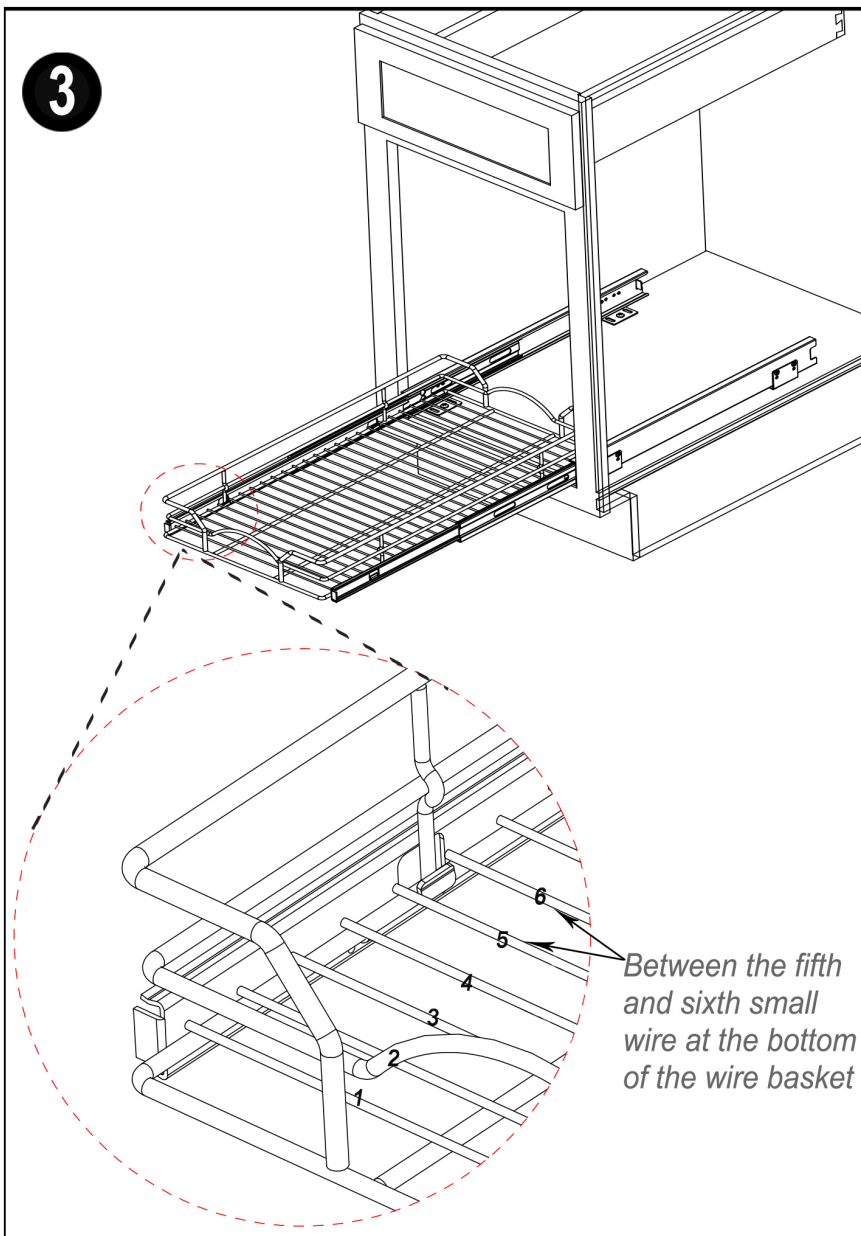
Part Code	Name	Simplified Diagram	Quantity
A	Wire Baskets		1 pcs
B	Drawer Slide		1 pair
C	ST4*16 Wood Screws		8 pcs
D	Mounting Template		1 pcs



Place the template (D) on the bottom of the cabinet correctly, and drill 4 holes (2.5mm in diameter) according to the drilling marks, and take out the template after completion.



Align Pre-drilled holes in Step 2. Use (8) ST4*16 Wood Screws (C) to fix drawer slides to the base of the cabinet.



Please align the position (Between the fourth and fifth small wire at the bottom of the wire basket) , Install the wire basket to left hand drawer slide by pushing basket into hooks. Next push basket into hooks on right hand drawer slide.

Congratulations, installation is now complete.