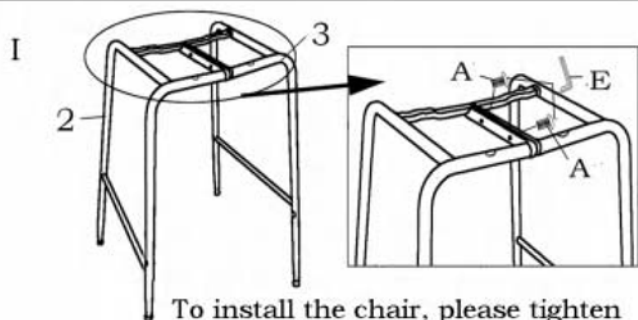


ITEM NAME/ NOM D'ITEM: TONY BARSTOOL

PART LIST / LISTE DES PIÈCES

(1)	(2)	(3)	(4)	(5)
				A. M8x14mm x2 B. M6x30mm x2 C. M6x22mm x2 D. M6x30mm x2 E. M5 x1
x1	x1	x1	x1	

ASSEMBLY INSTRUCTIONS / INSTRUCTIONS D'ASSEMBLAGE



To install the chair, please tighten the screws in 80% first, after installing all the screws, make sure the chair is balanced and re-tighten the screws in 100%.

