

INSTRUCTION MANUAL

Raised Garden Bed

⚠ NOTICE

Please retain these instructions for future reference.

- Please do not exceed the weight limitations of this item.
- Do not stand on or use any part of this item as a step ladder.
- Firmly secure all bolts and screws before use.
- Do not use or store this item in the proximity of open flame or flammable/combustible chemicals.
- Be aware that some parts are heavy and have sharp edges.
- If any parts are missing, broken, damaged, or worn, stop using this product until repairs are made and/or factory replacement parts are installed.
- Ensure your product is sited on level ground. Failure to do this may put additional stress on connections and joints and in time could cause them to fail.

Customer Service

Please Contact Us if You Need Any Helps :

patioseat@gmail.com

Offical Manufacturer Contact

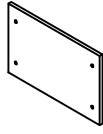
We Will Reply at Very First Time During Mon.~Fri.

①



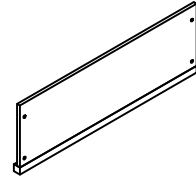
Legs 4PCS

②



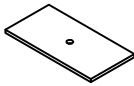
Side Panel 2PCS

③



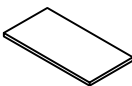
Front and Back Panel 2PCS

④



2PCS

⑤



2PCS

A



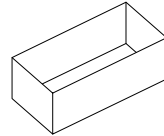
bolt
M6x20mm 16PCS+1

B



nut
M6x15mm 16PCS+1

C



LINING
740x360x210mm 1PC

1

①



4PCS

②



2PCS

A



bolt
M6x20mm 8PCS

B



nut
M6x20mm 8PCS

2

③



2PCS

A

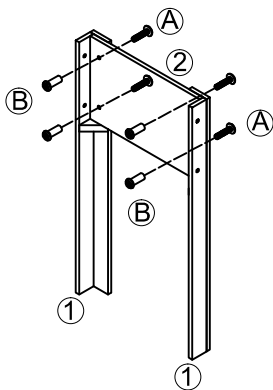


bolt
M6x20mm 8PCS

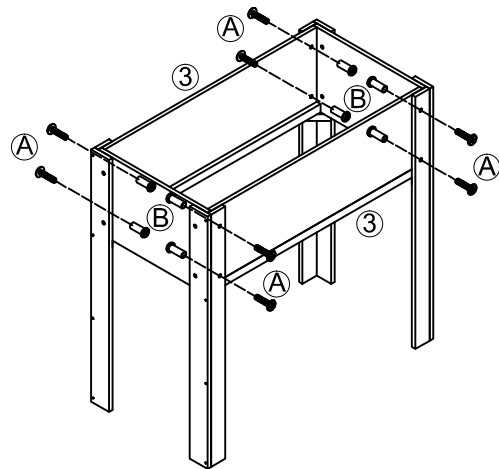
B



nut
M6x20mm 8PCS

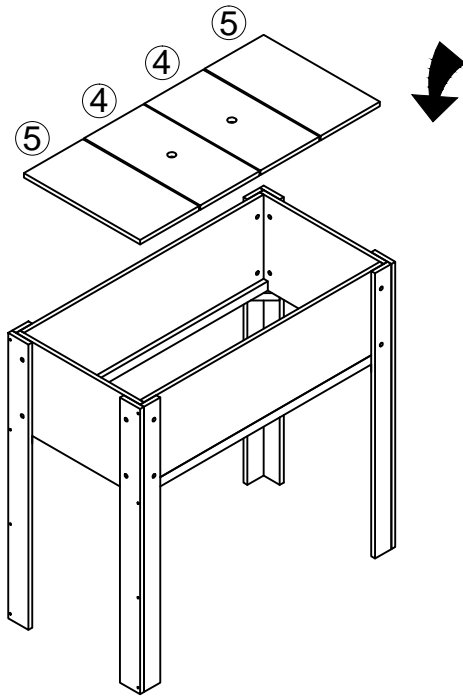
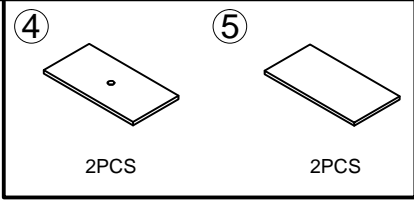


x2

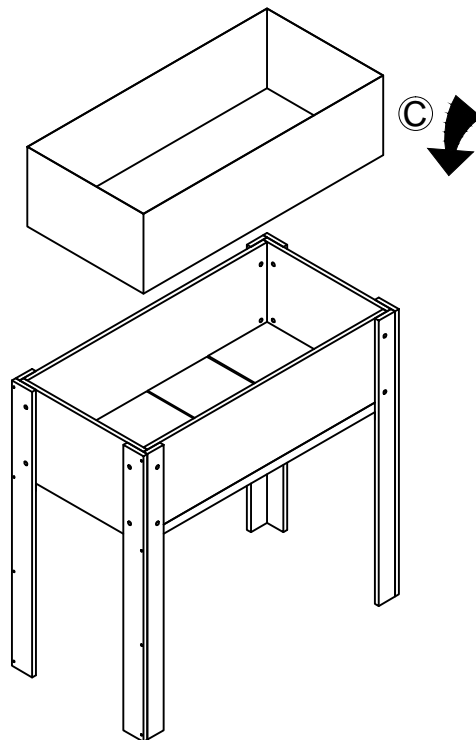
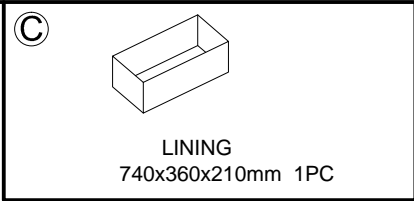


③

3



4



4