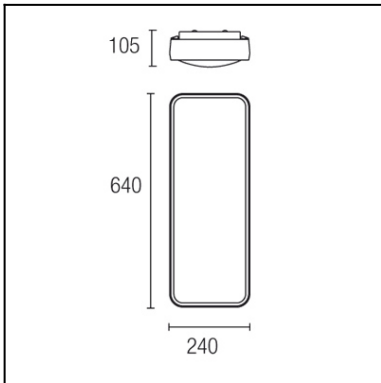
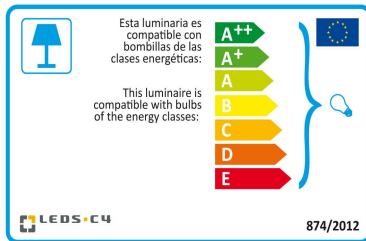


**Design by Nahtrang Design**


The photograph may not match the reference exactly. Please read the product description to identify the finish.



Download photometric file .ldt /.ies



Click on image to download energy label

**TECHNICAL CHARACTERISTICS**

Type:	Ceiling fixture
IP Protection degrees:	IP23
Light source 1:	1 x 2G11 55W
Voltage / Frequency:	220-240V/50-60Hz
Warranty (Years):	2
Units per box:	2
Net Weight (Kg):	2.78
EAN:	8435111086339


**MATERIALS / FINISHES**

<b>Structure material:</b>	Satin aluminium	<b>Diffuser material:</b>	Acrylic
<b>Structure finish:</b>	Polished	<b>Diffuser finish:</b>	Satin

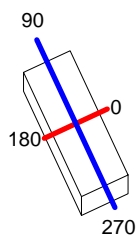
**GEAR**

Gear included: Yes, electronic

<b>Luminaire</b>		<b>Measur.</b>		<b>Lamp</b>		
Code	15-4686-14-M1	Code	15-4686-14-M1	Code	PL-L55W/840/4P	
Name	Plafón 1x55W TC-L 2G11 opal	Name	Plafón 1x55W TC-L 2G11 opal	Number	1	
Line	Eulumdat	Date	15-03-2012	Position		
Efficiency	41.19%	Coordinate system	CG	Total Flux	4800.00 lm	
Maximum value	721.82 cd	Position	C=0.00 G=0.00	Double Symmetrical		
Rectangular Luminaire	Length	640 mm	Width	240 mm	Height	100 mm
Rectangular Luminous Area	Length	615 mm	Width	215 mm	Height	28 mm
Horizontal Luminous Area	0.132225 m2	Emitting area on Plane 180°		0.017220 m2		
Emitting area on Plane 0°	0.017220 m2	Emitting area on Plane 270°		0.006020 m2		
Emitting area on Plane 90°	0.006020 m2	Glare area at 76°		0.048697 m2		
Symmetry Type	Double Symmetrical	Maximum Gamma Angle	90			
Measurement Distance	0.00	Measurement Flux	4800.00 lm			
Operator	Asselum T2	Source voltage				
Temperature	25.00 °C	Source current				
Humidity	60.00 %	Photocell				
Notes						

Luminaire Lamps					
Line	Code	Name	Flux [lm]	Pow. [W]	Q.ty
Eulumdat	PL-L55W/840/4P	PL-L55W/840/4P - 55.00 W	4800.00	55.00	1
C.I.E.	48 79 94 100 41	D DIN 5040	A30		
F UTE	0.41 E	B NBN	BZ 4 / 1.5 / BZ 5		

640mm x 240mm



**C Halfplanes**

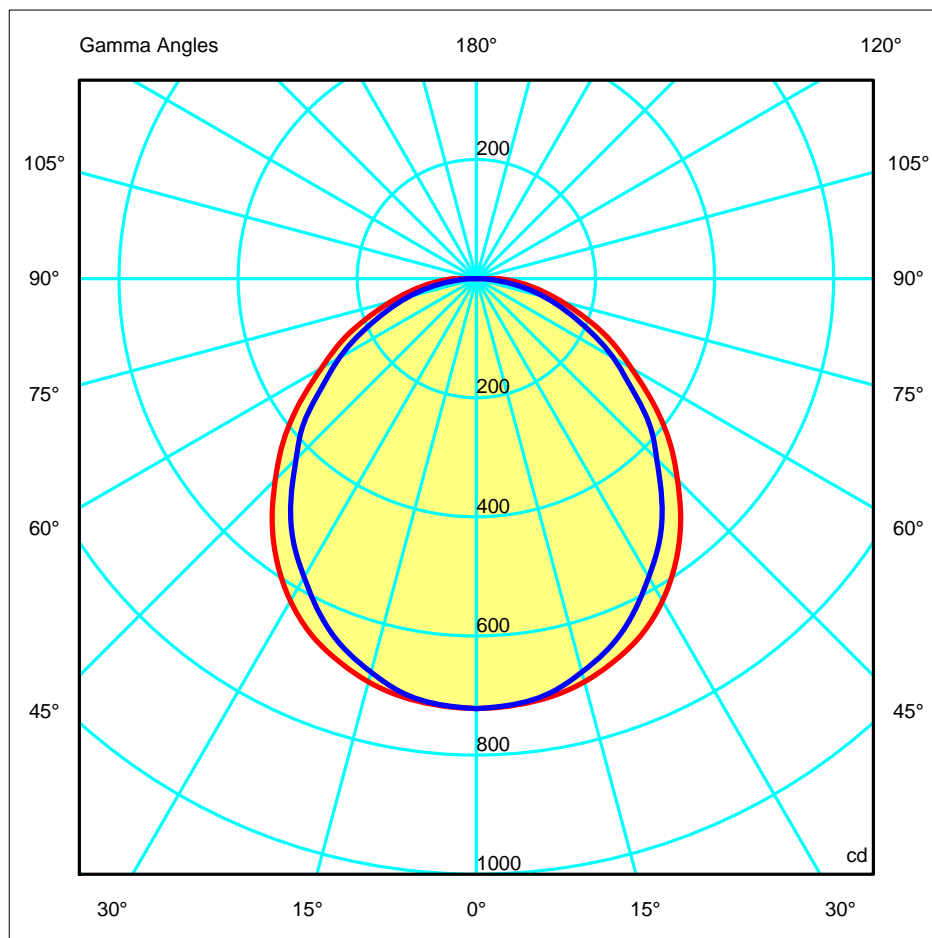
180.0 — 0.0

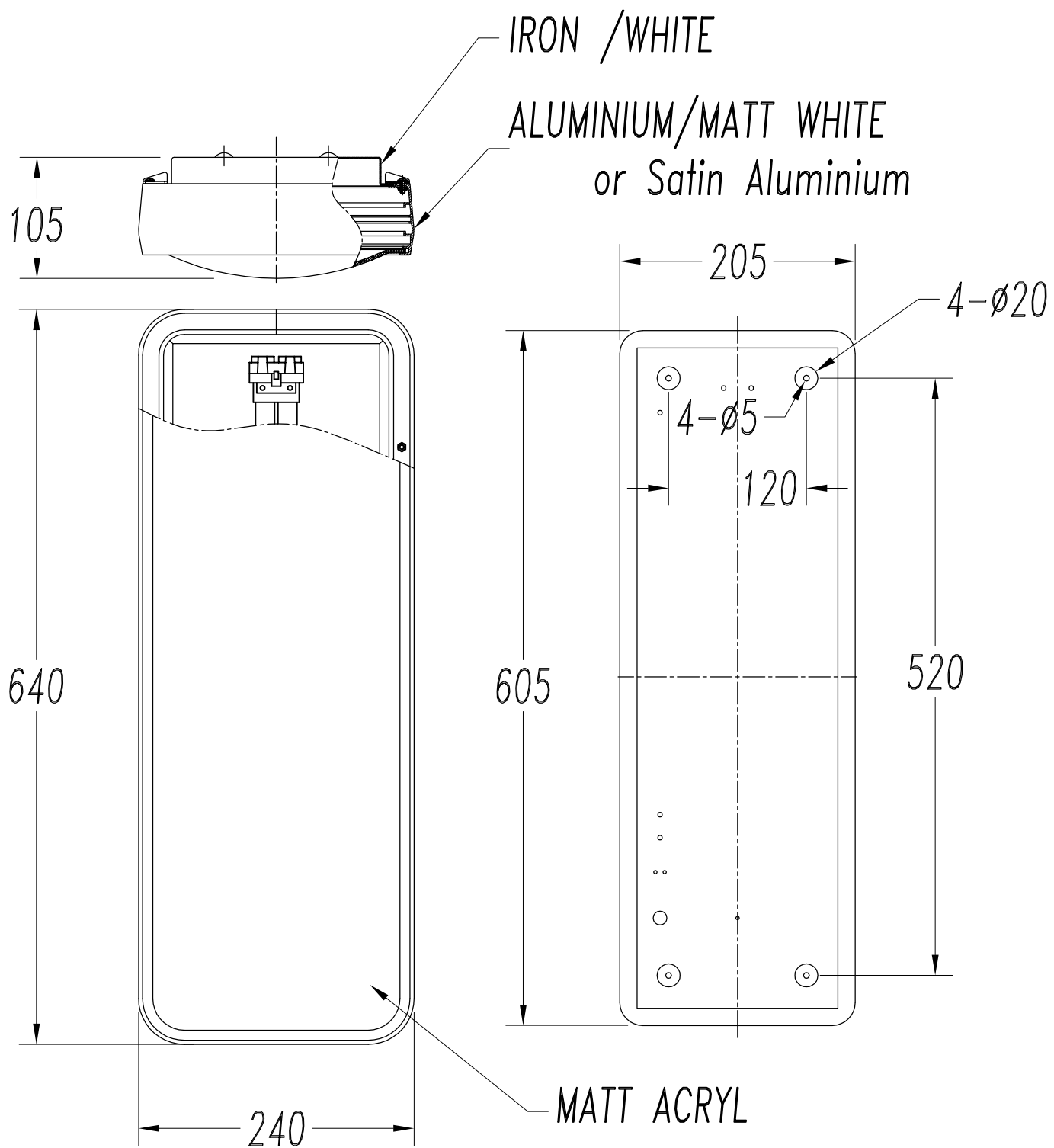
270.0 — 90.0

ULOR 0.00 %

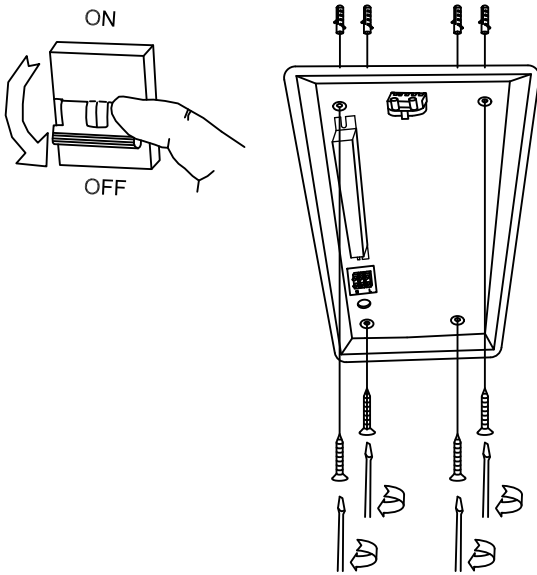
DLOR 41.19 %

RN 0.00 %

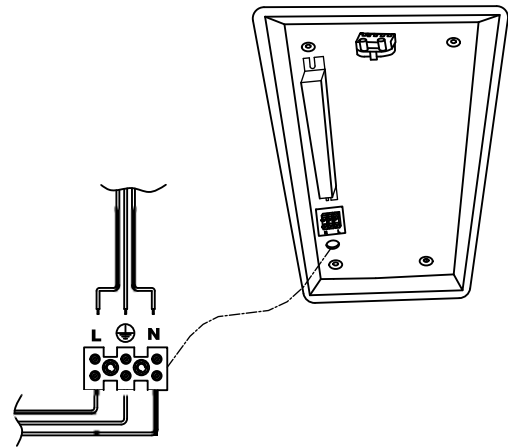




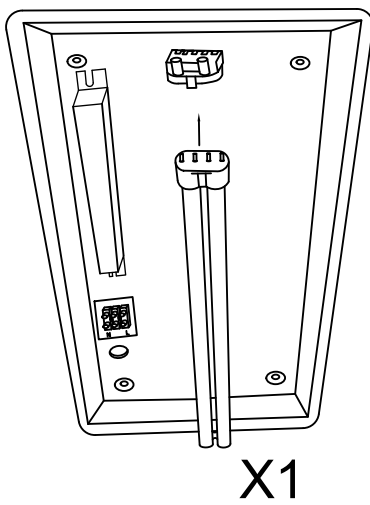
**1**



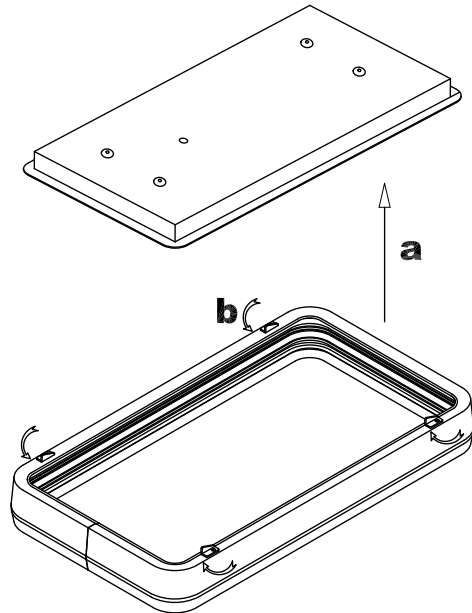
**2**



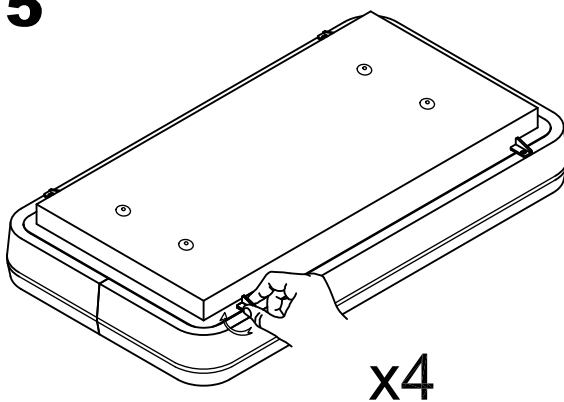
**3**



**4**



**5**



**6**

