

## Assembly Instructions

### 5-Piece Aluminum Dining Set-Chairs

**Model # 136C134PK**

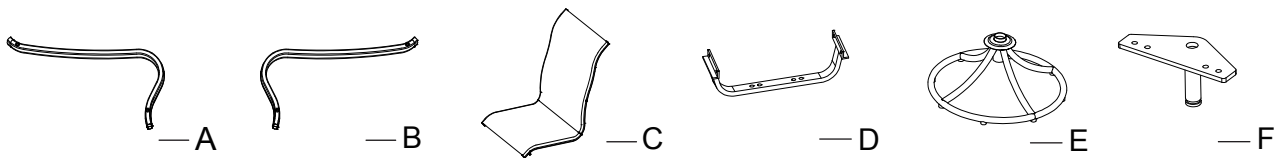
**Customer Service Department:**

**Telephone Message Center: (833) 807-3550**

**Email Customer Service at: [customer-service@linyaoutdoor.com](mailto:customer-service@linyaoutdoor.com)**

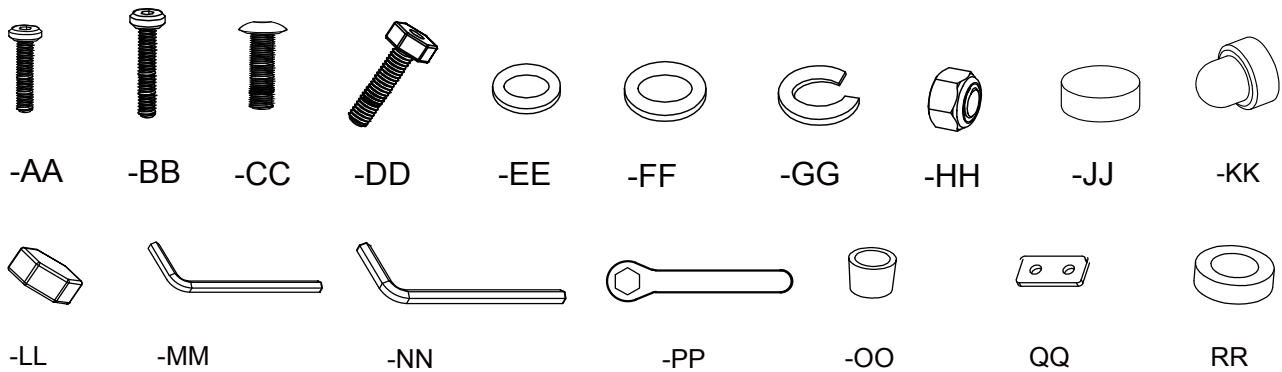
**Hours of Operation: Please feel free to leave a telephone message or email us at any time. Follow up will be conducted as soon as possible.**

## Part List



Part	Description	Quantity
A	Left arm	4
B	Right arm	4
C	Chair seat and back	4

Part	Description	Quantity
D	U-bar	4
E	Chair base	4
F	T-swivel	4



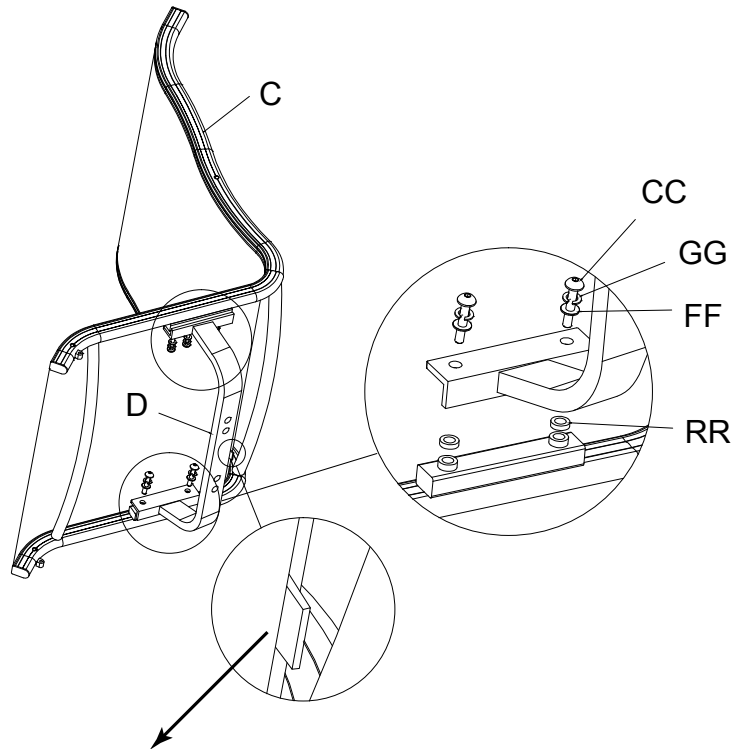
Part	Description	Quantity
AA	Bolt (M6x24)	8
BB	Bolt (M6x35)	16
CC	Bolt (M8x24)	16
DD	Bolt (M8x40)	16
EE	Washer (D6)	24
FF	Washer (D8)	32
GG	Lock washer (D8)	32
HH	Nut (M8)	16

Part	Description	Quantity
JJ	Bolt cap (M6)	24
KK	Nut cap (M8)	16
LL	Bolt cap (M8)	16
MM	Wrench (M6)	1
NN	Wrench (M8)	1
PP	Wrench (M8)	2
OO	Bushing	4
QQ	Washer plate	8
RR	Plastic washer	16

⚠ Above is a list of all parts and hardware to use. Please check it before assembling, and if there is any missing or damaged, please feel free to contact us.

1

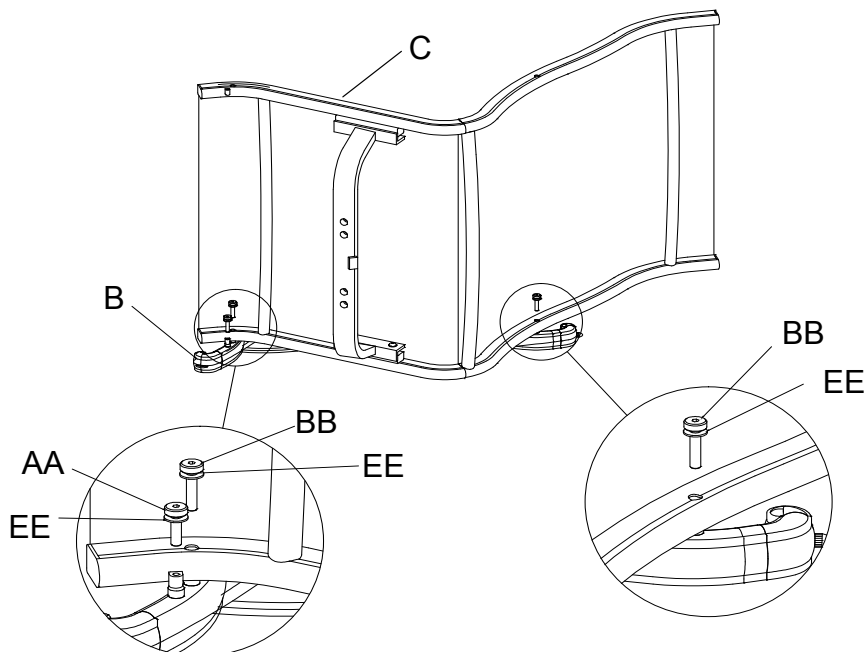
Place the chair seat and back (C) on a flat, smooth surface. Note, be sure to use a blanket or cardboard to keep from scratching the item. Align the U-bar (D) to the chair seat and back (C). Attach the U-bar (D) to the chair seat and back (C) with the plastic washers (RR), the washers (FF), the lock washers (GG) and the bolts (CC) using the wrench (NN). **Caution: Please don't fully tighten the bolts until the step 4.**



**Warning:**Please put the U-bar in the following position as the figure shows

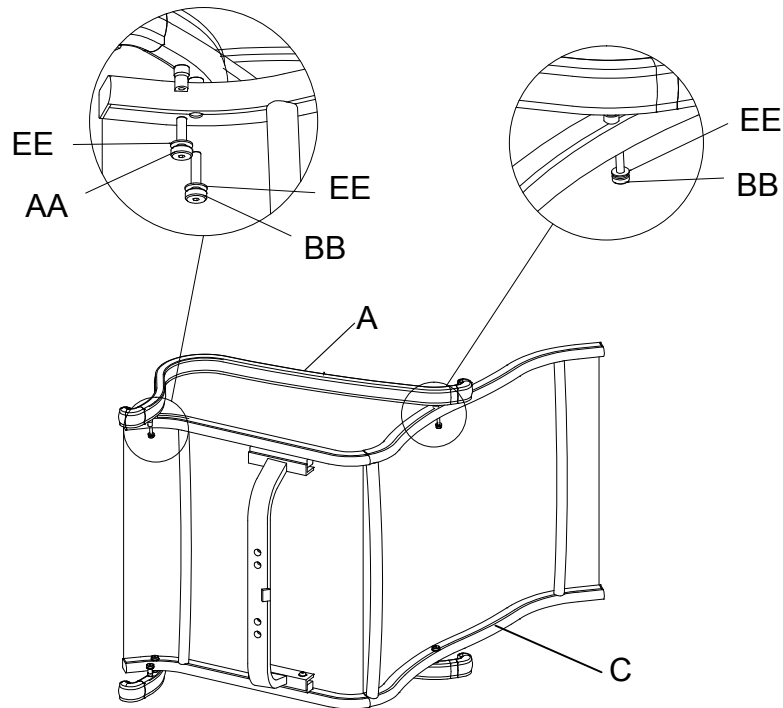
2

Align the right arm (B) to the chair seat and back (C). Attach the right arm (B) to the chair seat and back (C) with the washers (EE), the bolt (AA) and the bolts (BB) using the wrench (MM). **Caution: Please don't fully tighten the bolts until the step 4.**



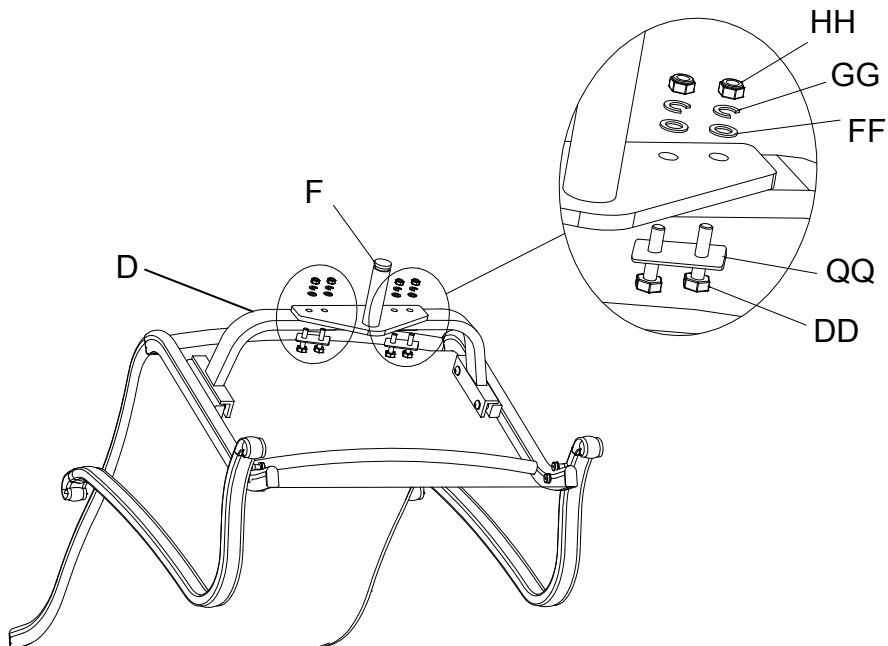
3

Align the left arm (A) to the chair seat and back (C).  
Attach the left arm (A) to the chair seat and back (C) with the washers (EE), the bolt (AA) and the bolts (BB) using the wrench (MM).  
**Caution: Please don't fully tighten the bolts until the step 4.**



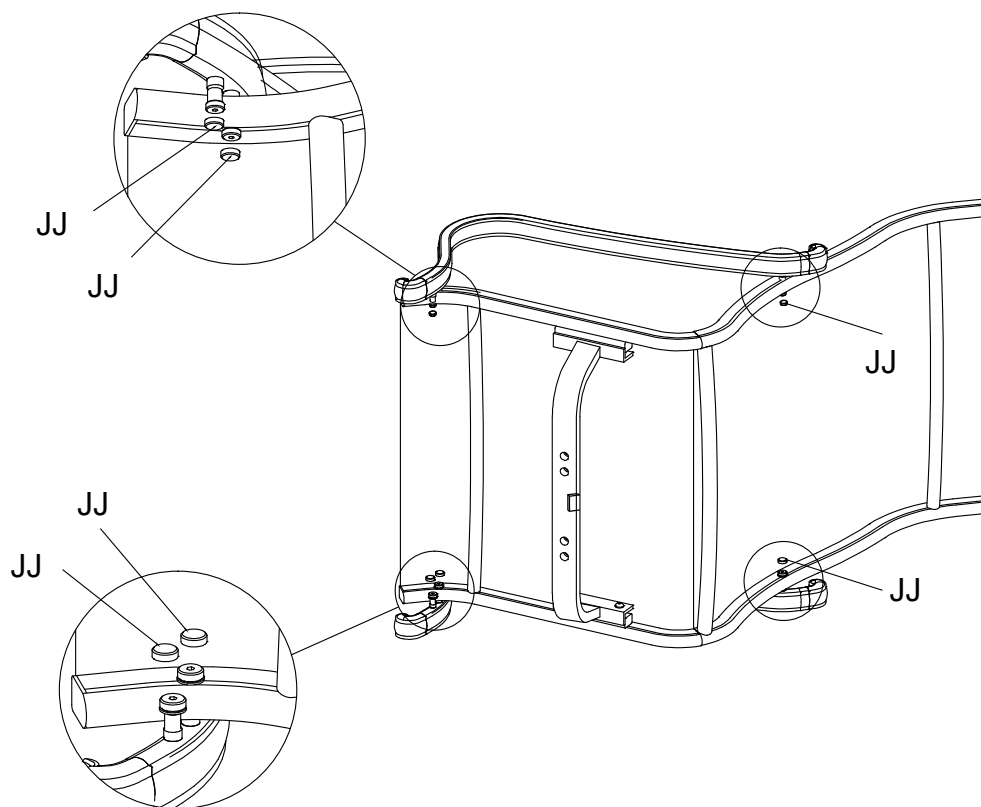
4

Align the T-swivel (F) to the U-bar (D).  
Attach the T-swivel (F) to the U-bar (D) with the washer plates (QQ) and the bolts (DD) below the U-bar (D) and also with the washers (FF), the lock washers (GG) and the nuts (HH) above the triangular plate of the T-swivel using the wrenches (PP).  
Fully tighten all the bolts (AA, BB, CC, DD) and all the nuts (HH).



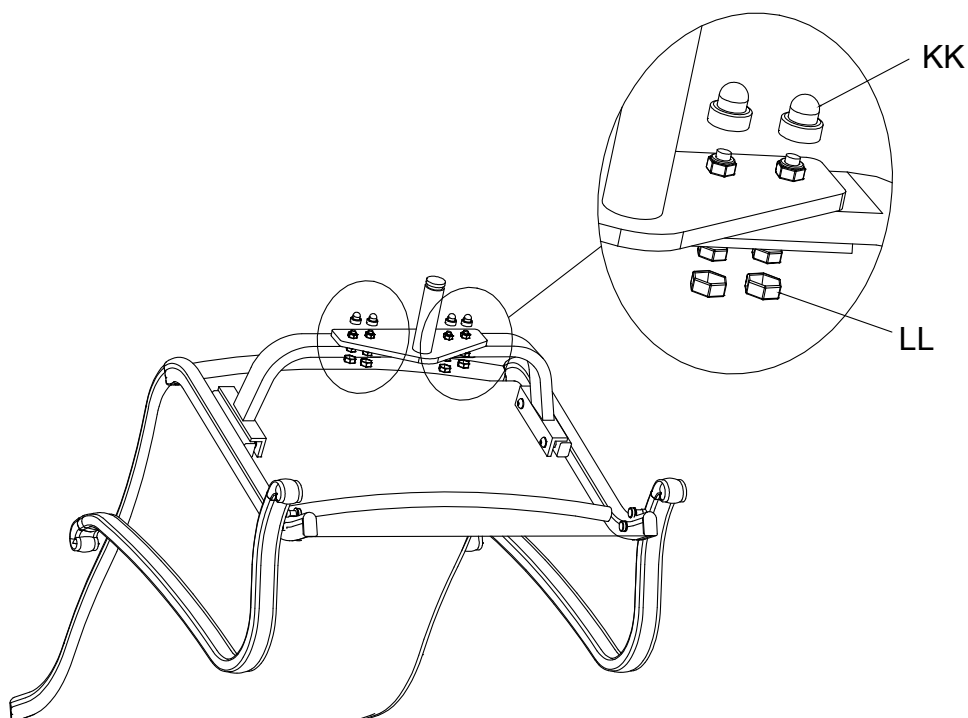
5

Cover all the bolts (AA) and the bolts (BB) with the bolt caps (JJ).



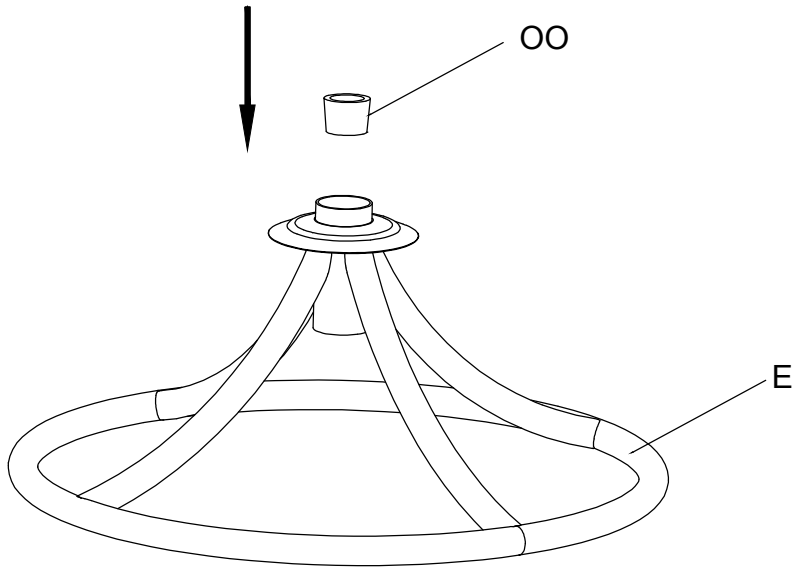
6

Cover all the bolts (DD) with the bolt caps (LL).  
Cover all the nuts (HH) with the nut caps (KK).



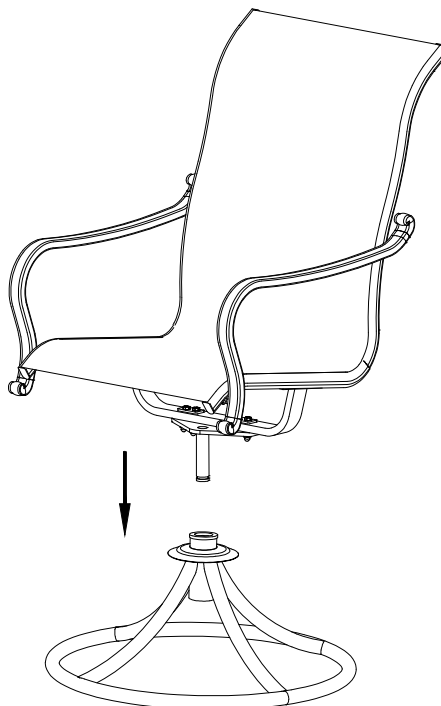
7

Place the chair base (E) on a flat, smooth surface. Note, be sure to use a blanket or cardboard to keep from scratching the item. Insert the bushing (OO) into the center of the chair base (E).



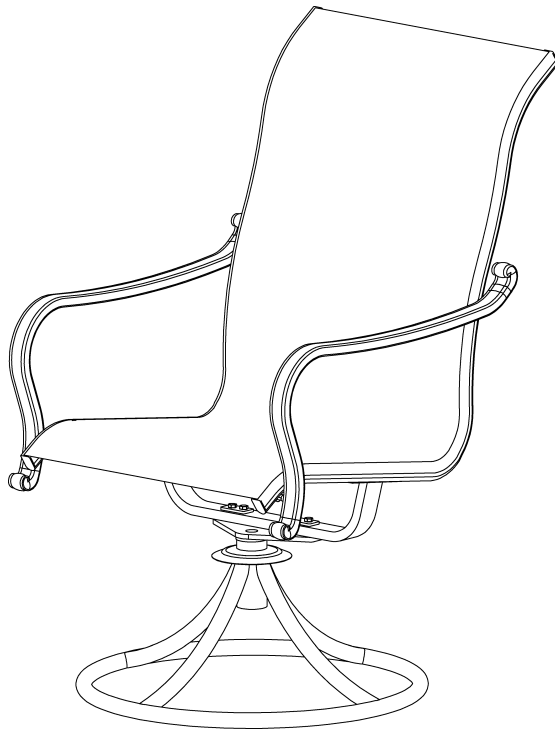
8

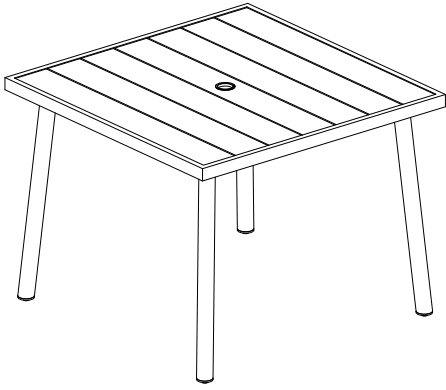
Turn the chair seat upright. Plug the shaft of the T-swivel into the center of the chair base until an audible click is heard.



9

Repeat step 1 to step 8 for the other three chairs.





## Assembly Instructions

### 5-Piece Aluminum Dining Set-Table

Model # 136T61PK

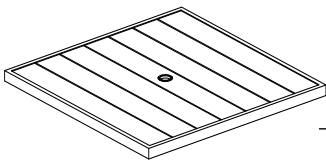
Customer Service Department:

Telephone Message Center: (833) 807-3550

Email Customer Service at: [customer-service@linyaoutdoor.com](mailto:customer-service@linyaoutdoor.com)

Hours of Operation: Please feel free to leave a telephone message or email us at any time. Follow up will be conducted as soon as possible.

## Part List

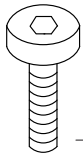


\_\_\_\_\_ A



\_\_\_\_\_ B

Part	Description	Quantity
A	Table top	1
B	Table leg	4



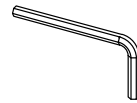
\_\_\_\_\_ AA



\_\_\_\_\_ BB



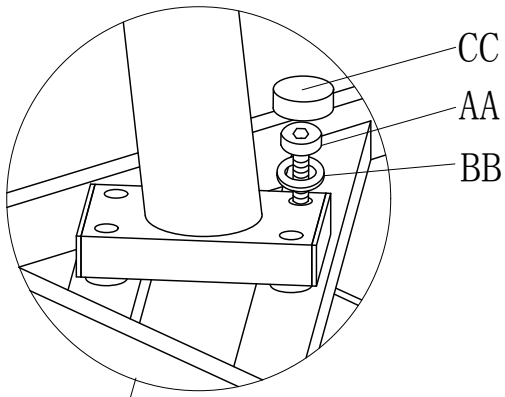
\_\_\_\_\_ CC



\_\_\_\_\_ DD

Part	Description	Quantity
AA	Bolt (M6x35)	16
BB	Washer	16
CC	Bolt cap	16
DD	Wrench	1

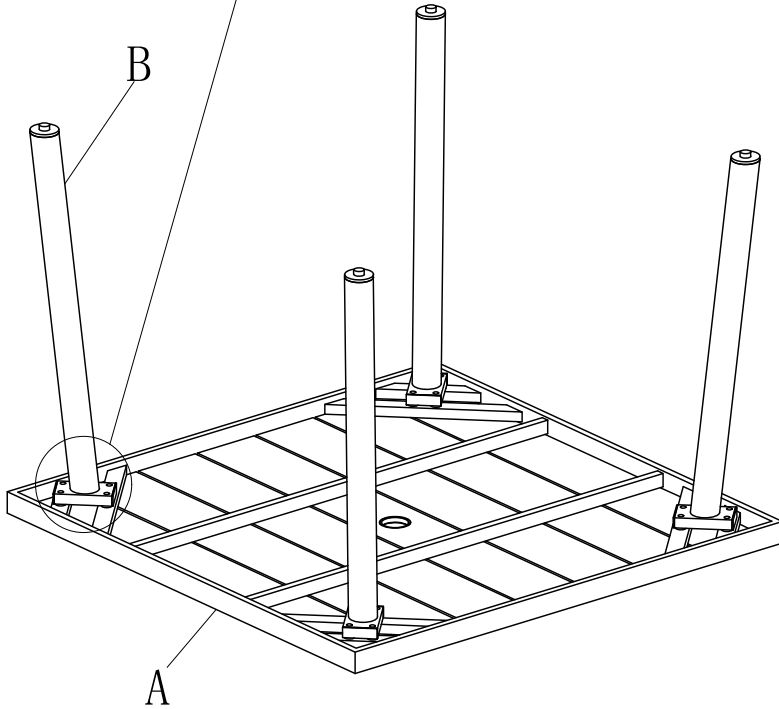
1



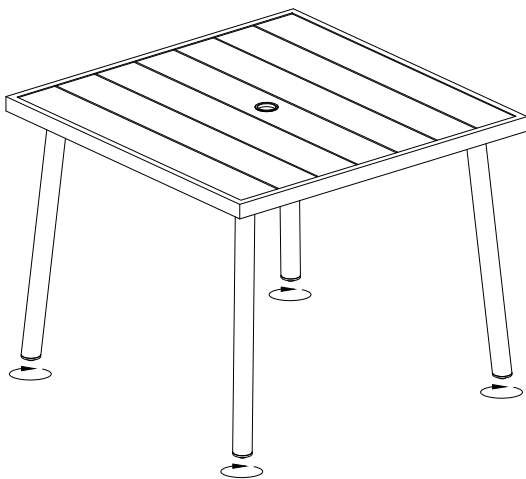
Place the table top (A) upside down on a flat, smooth surface. Note, be sure to use a blanket or cardboard to keep from scratching the item.

Attach the table legs (B) to the table top (A) with the washers (BB) and the bolts (AA) using the wrench (DD). Note, be sure not to over tighten before all the bolts are in place.

Cover all the bolts (AA) with the bolt caps (CC) after all the bolts (AA) fully tightened.



2



Turn the table upright.

Level the table with the foot glides if necessary