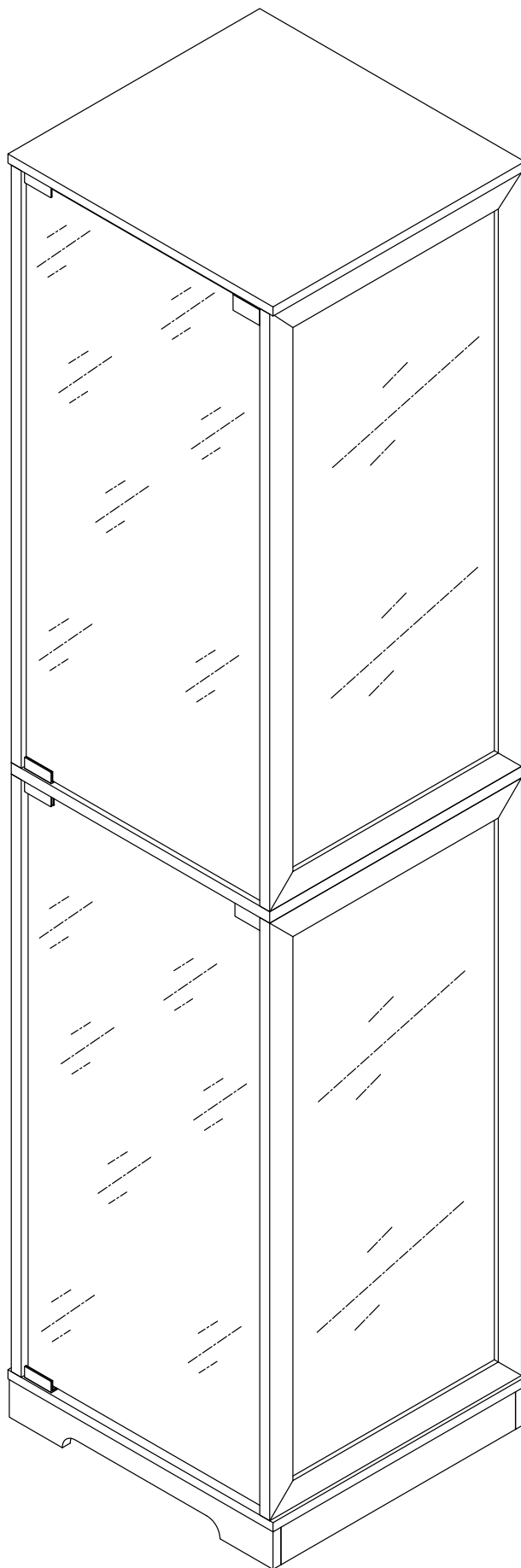
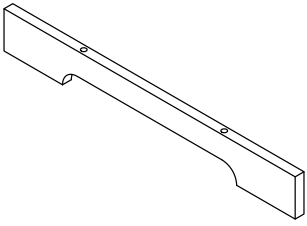
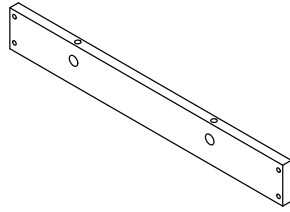


97094 Product Installation Instructions

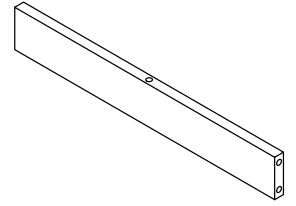




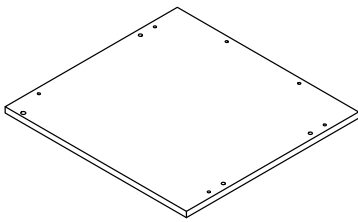
Ax1



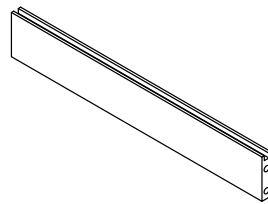
Bx1



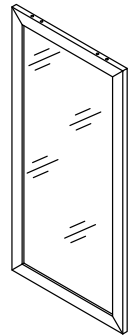
Cx2



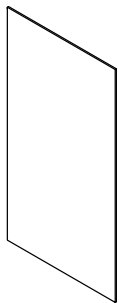
Dx1



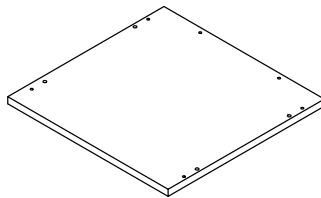
Ex2



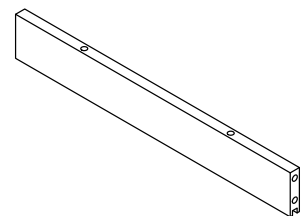
Fx2



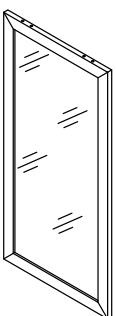
Gx2



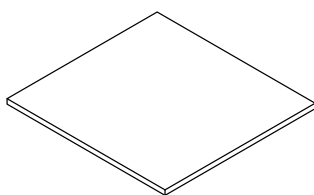
Hx1



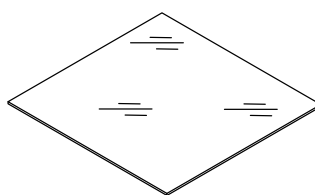
Ix2



Jx2



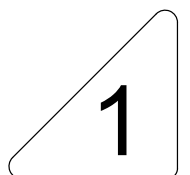
Kx1



Lx2

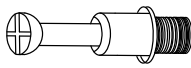



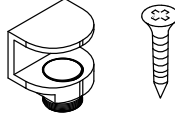
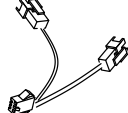
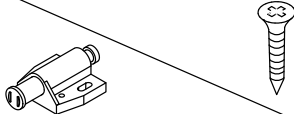
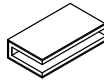
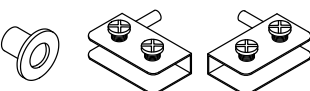
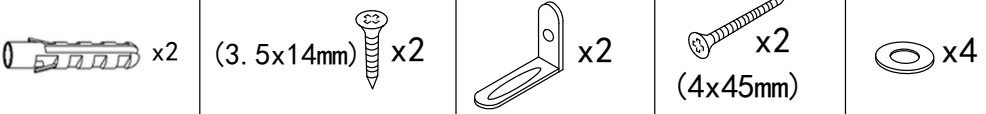
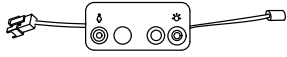
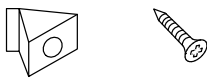
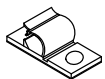
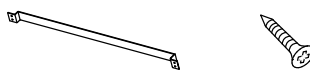
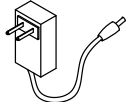


Mx2

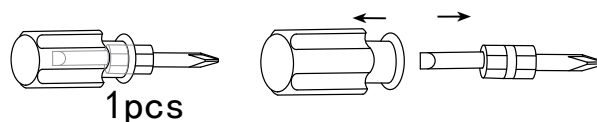


1

Accessories list

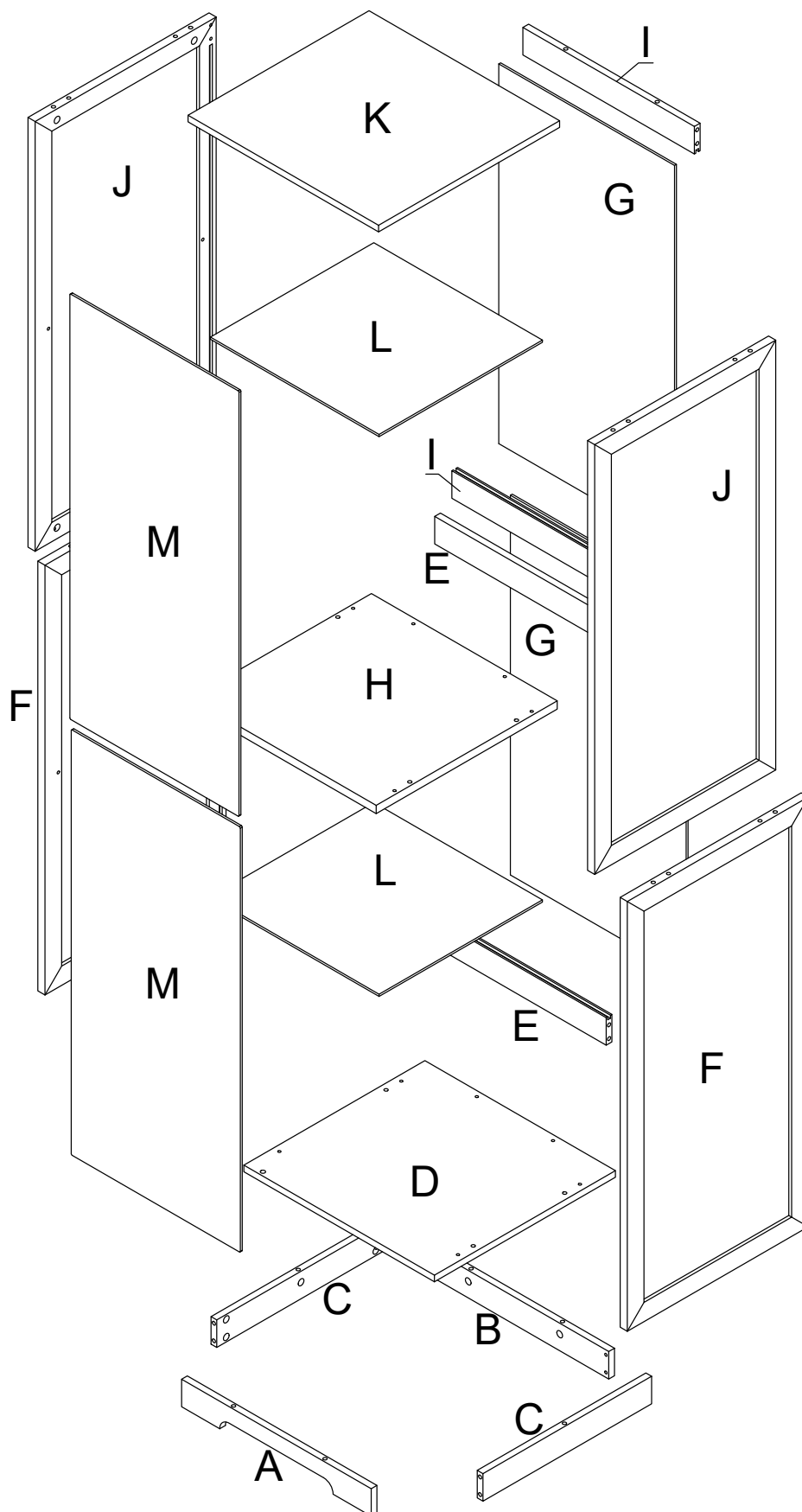
①		Two in one screw (6x28mm)	52pcs +5pcs
②		Two in one nut (10x12mm)	52pcs +5pcs
③		Wood Chipping (6x30mm)	16pcs +2pcs
④		Non-slip pads	4pcs +2pcs
⑤		Glass clamp (4x12mm)	8pcs +1pcs
⑥		Double end connecting line	1pcs
⑦		Rebound device & Screw (3x16mm)	8pcs +1pcs 2pcs
		Iron sheet	2pcs
		Hinge	4pcs 2pcs 2pcs
⑧	Anti Fall Hardware	 x2 (3.5x14mm) x2 x2 x2 x4	
⑨		LED Strip Controlle	1pcs
⑩		Fixing clip & screw (3x16mm)	8pcs +2pcs
⑪		Wire Clamp	2pcs +1pcs
⑫		Iron Bracing Bar screw (3x12mm)	2pcs / 8pcs +2pcs
		AC/DC Adapter (12V=2.0A)	1pcs

Double-head screwdriver, use as required



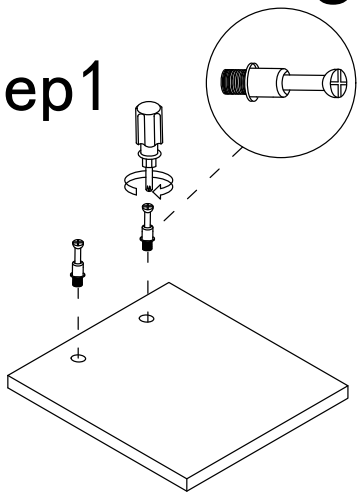
2

Product structure decomposition

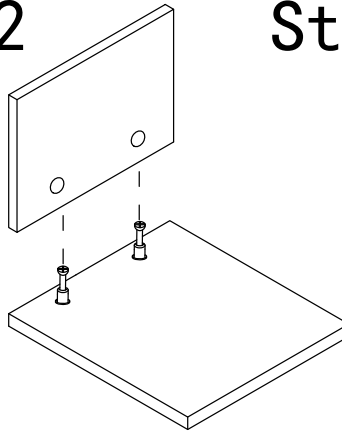


Use parts ① and ②

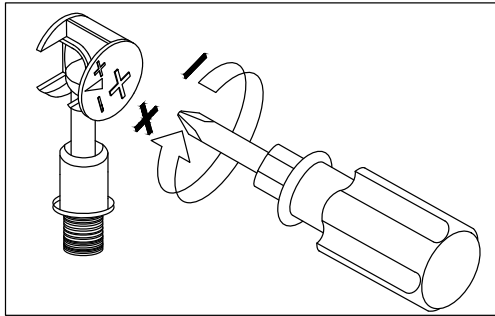
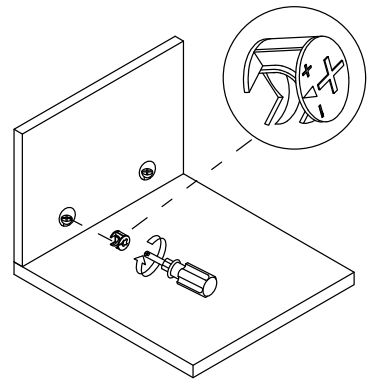
Step 1



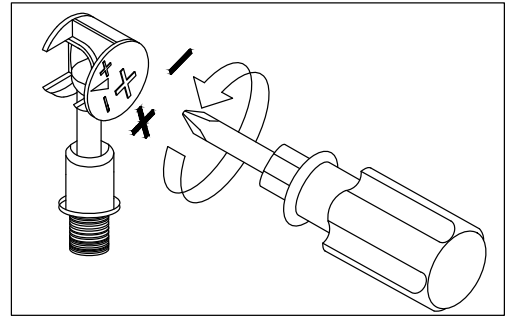
Step 2



Step 3

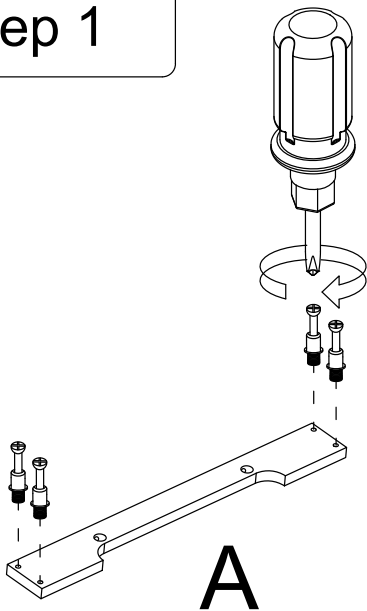


Use a screwdriver to lock in the direction of the "+" sign

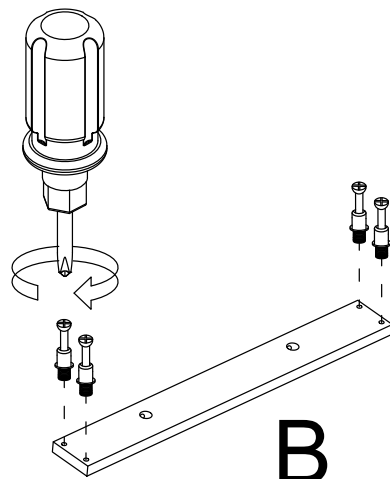
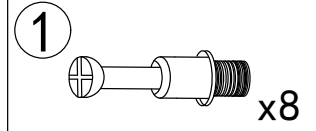


Disassemble along the direction of "-" sign

Step 1




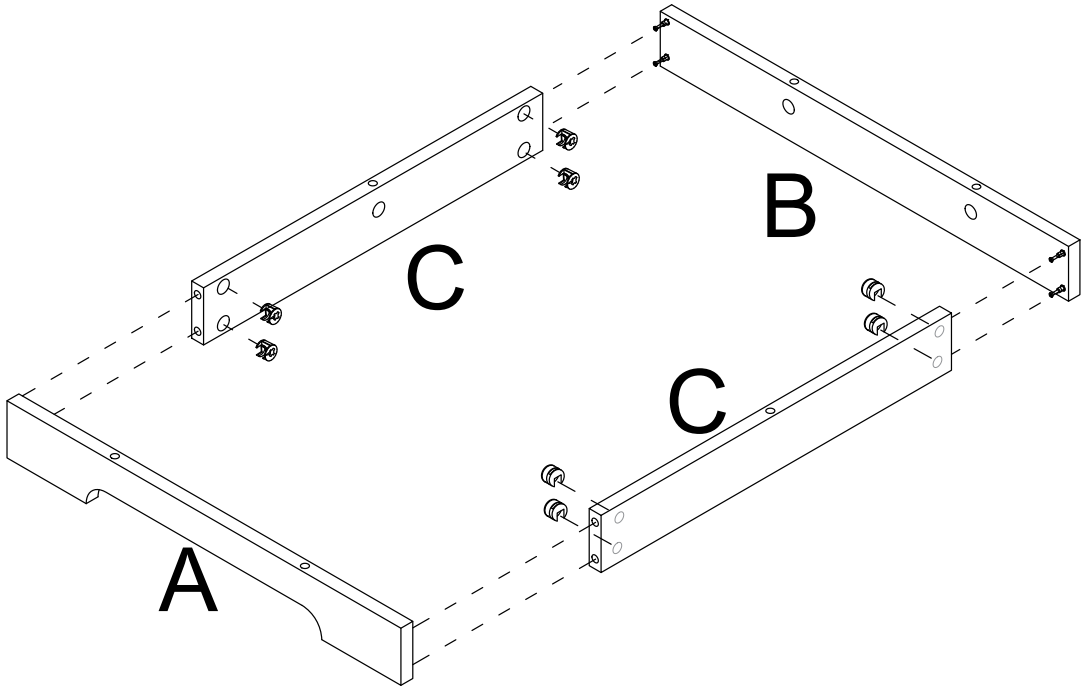
A



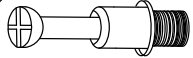
B

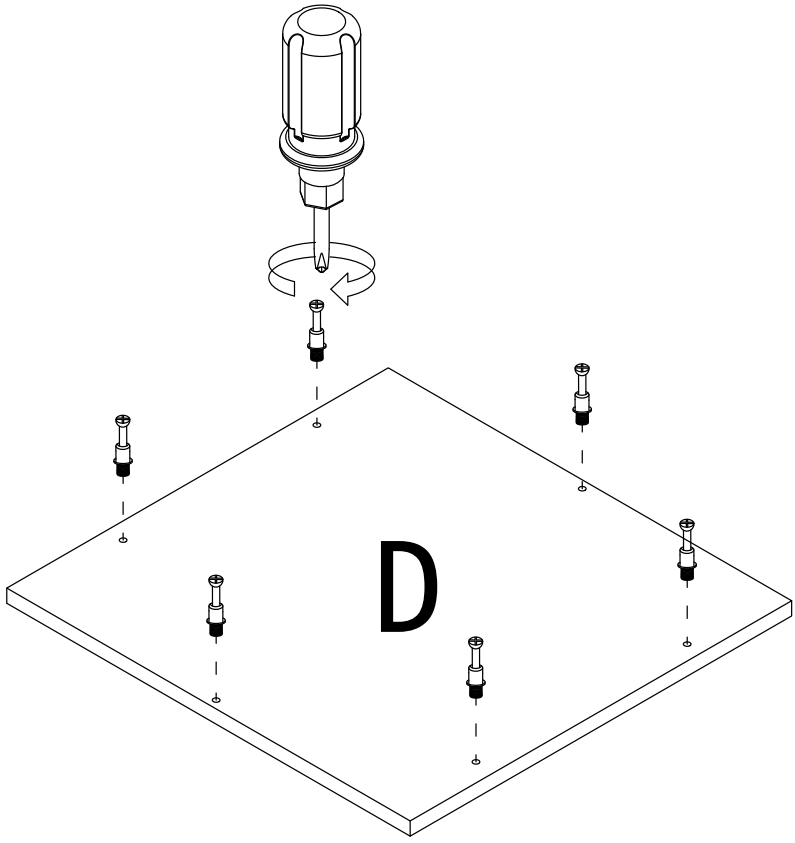
Step 2

2  x8

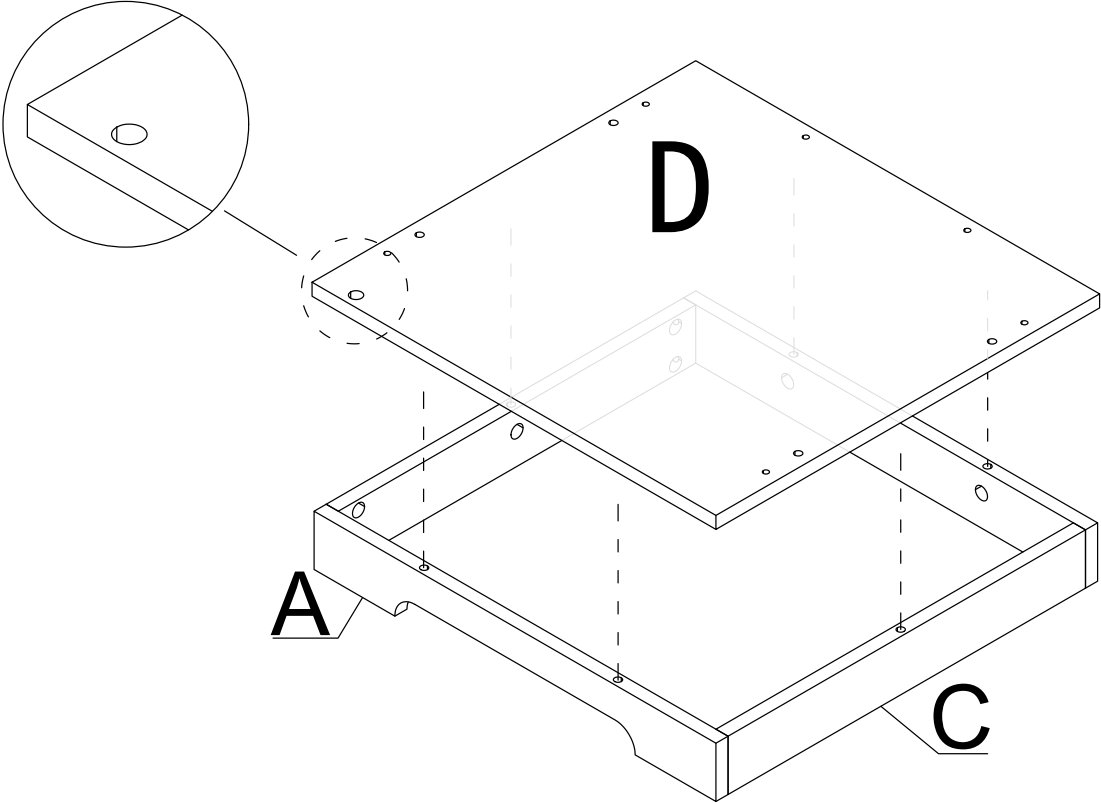


Step 3

1  x6

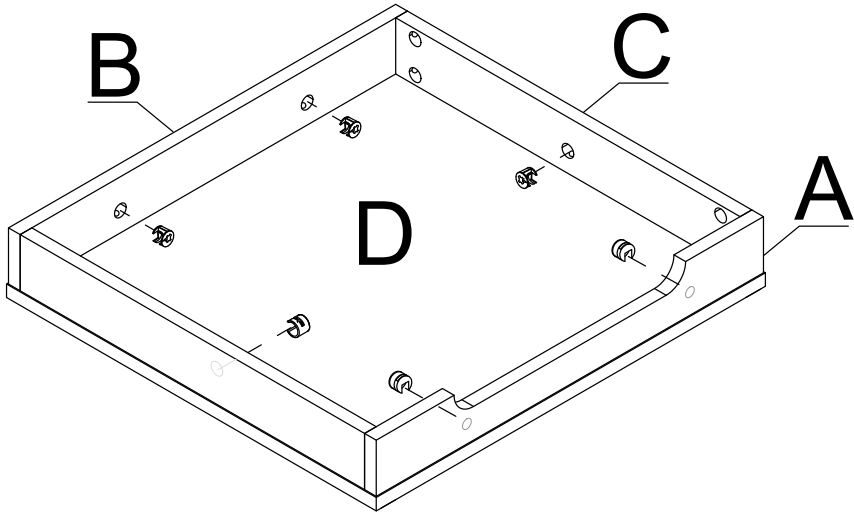


Step 4



Step 5

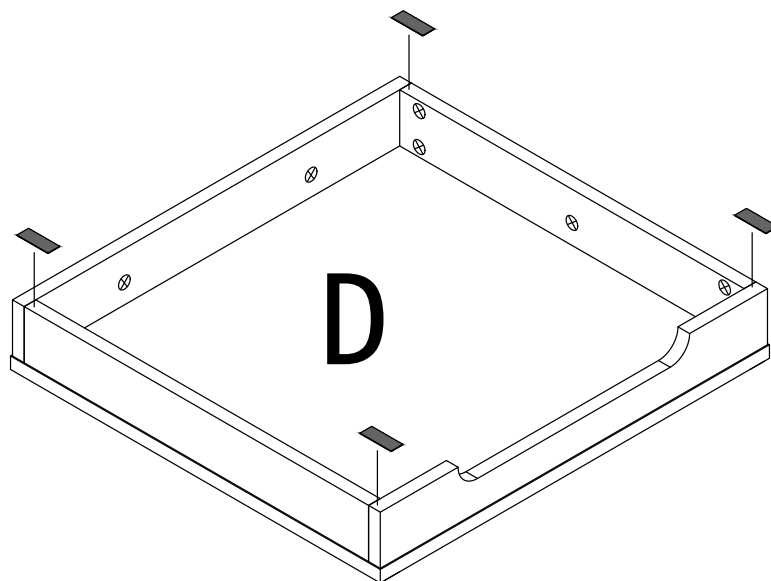
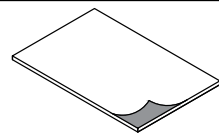
②  x6



Step 6

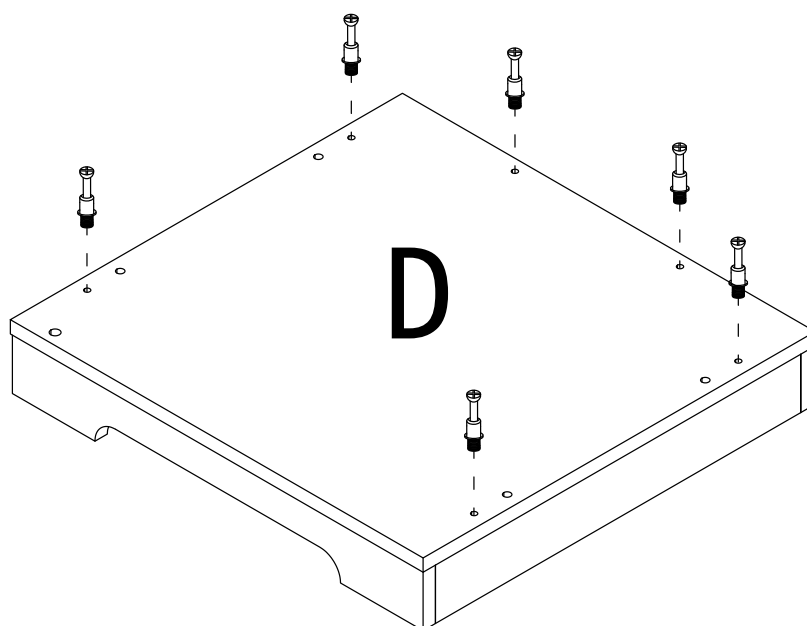
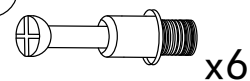
Tear off release paper and stick the black foot pad on the board

4



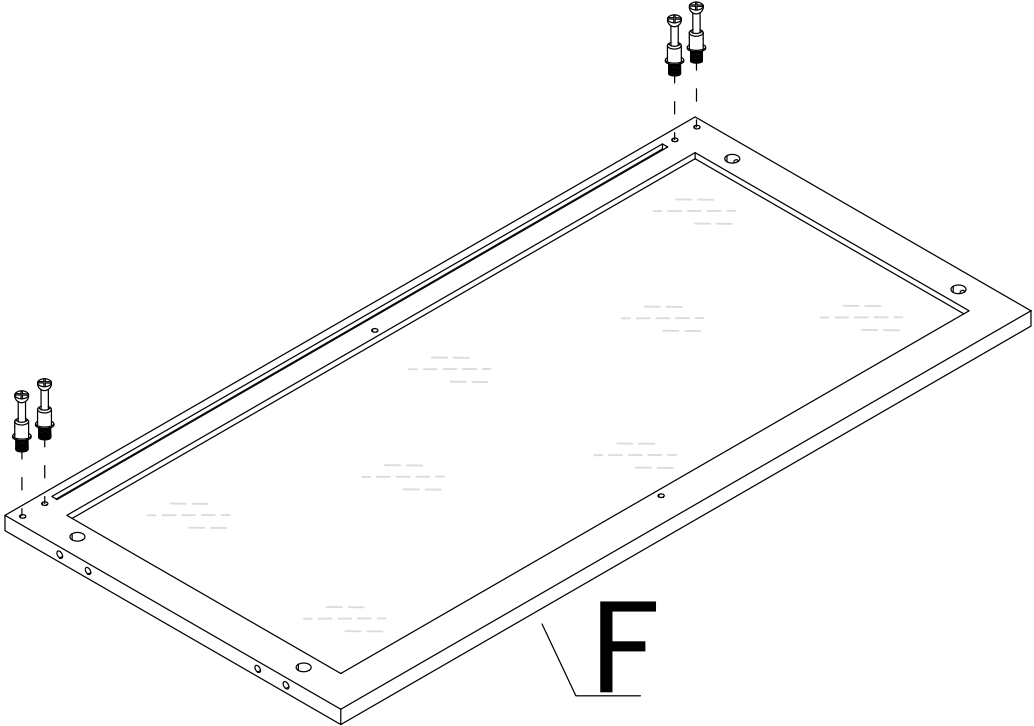
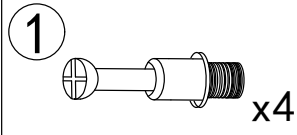
Step 7

1

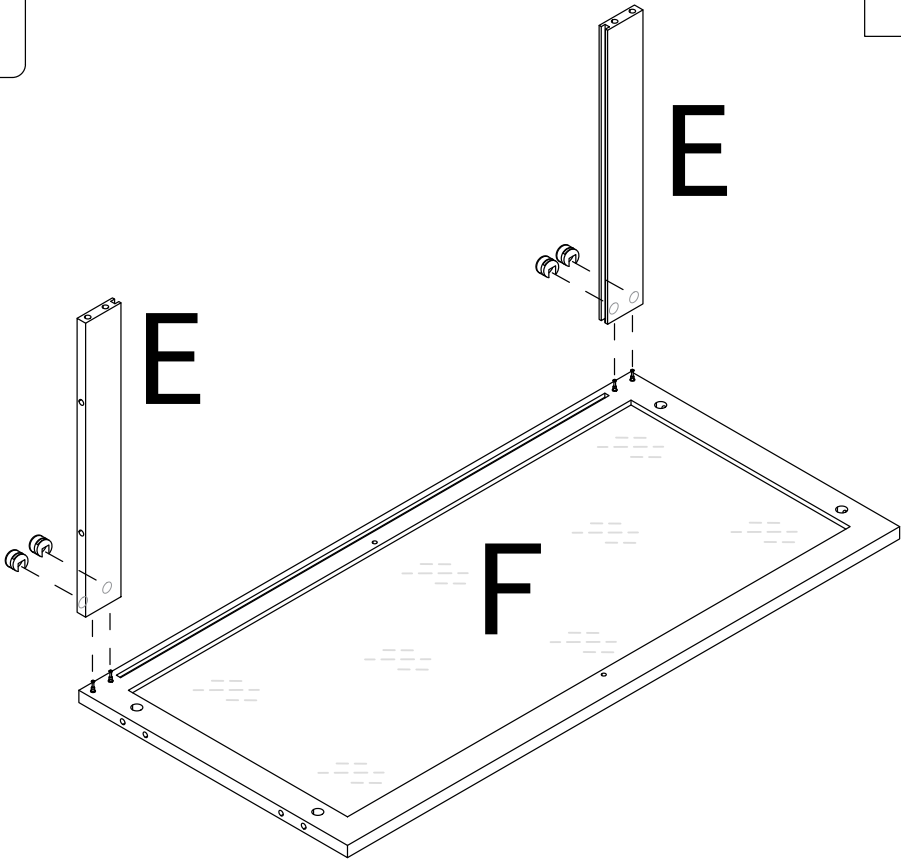
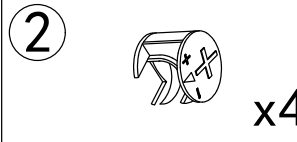


7

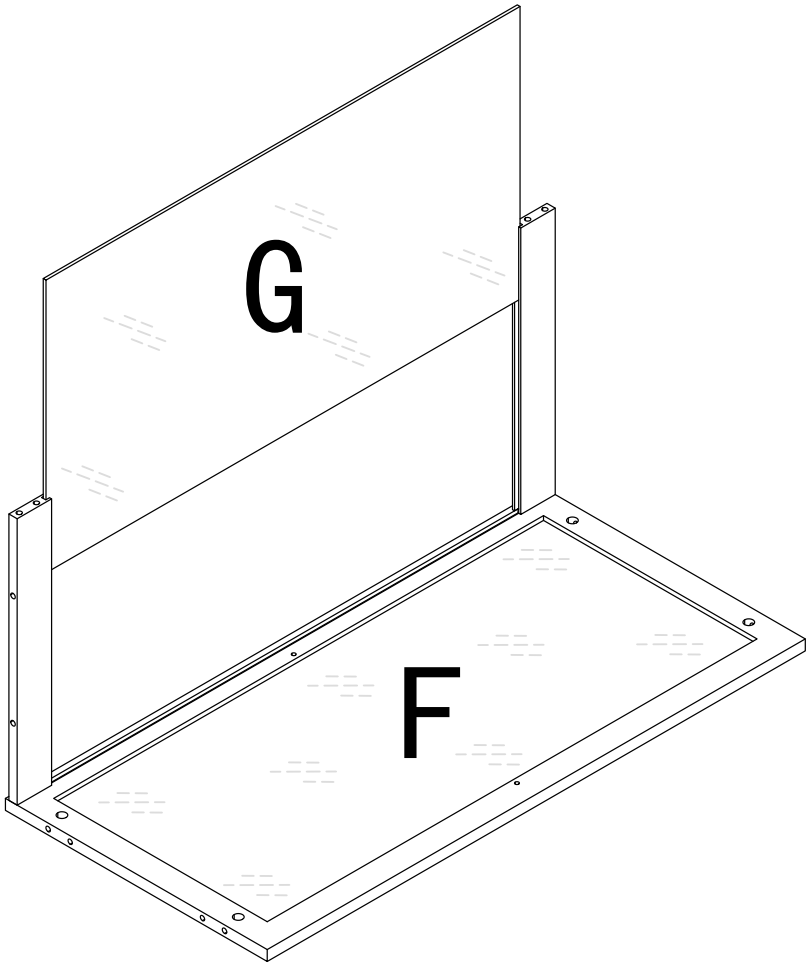
Step 8



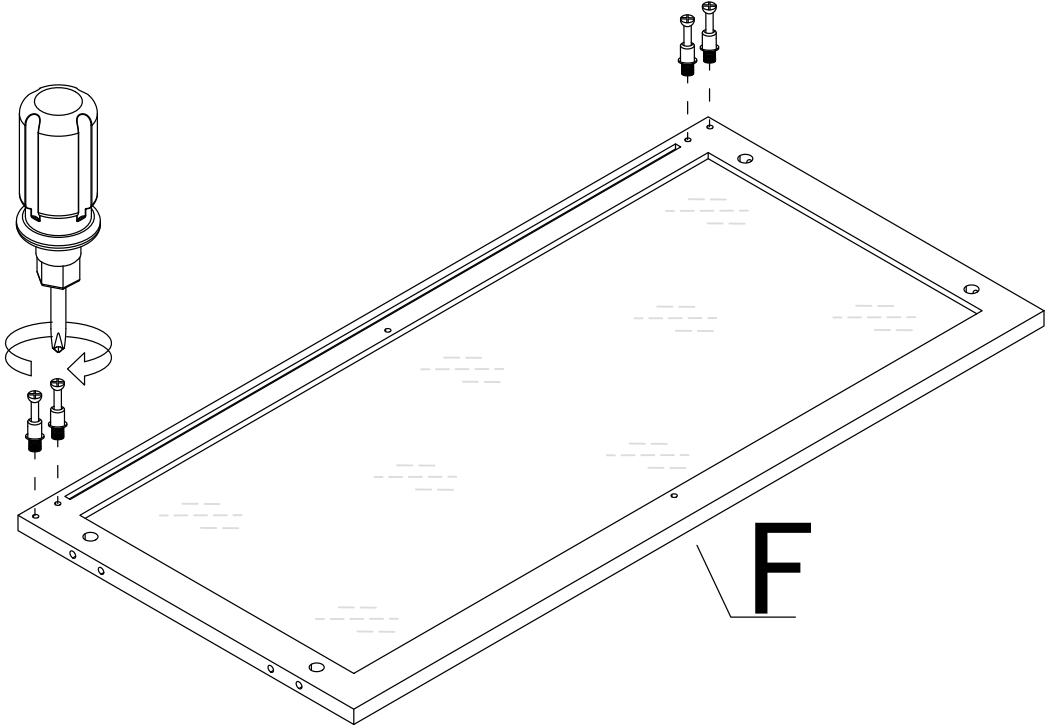
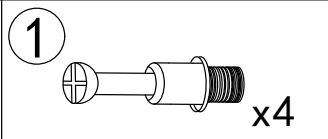
Step 9




Step 10

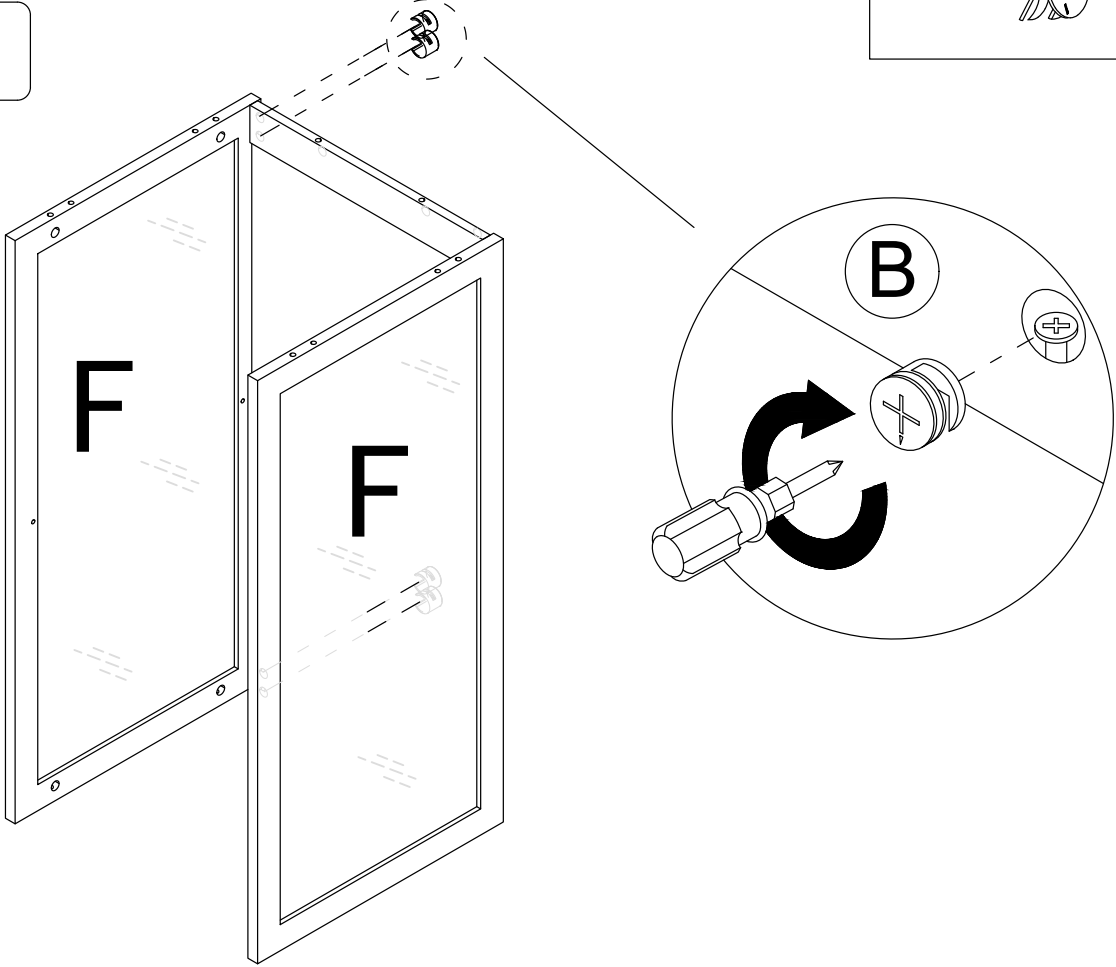


Step 11




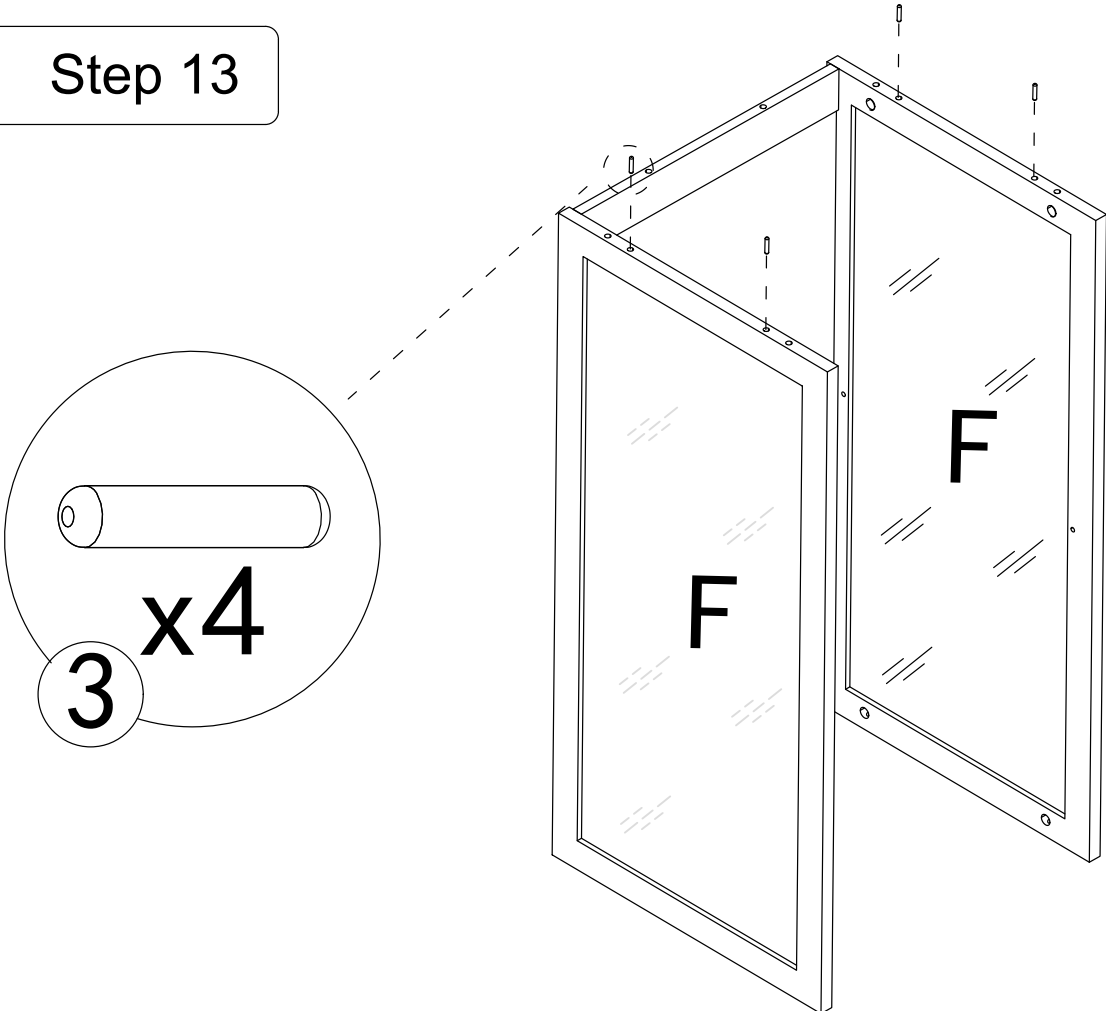
Step 12

2  x4




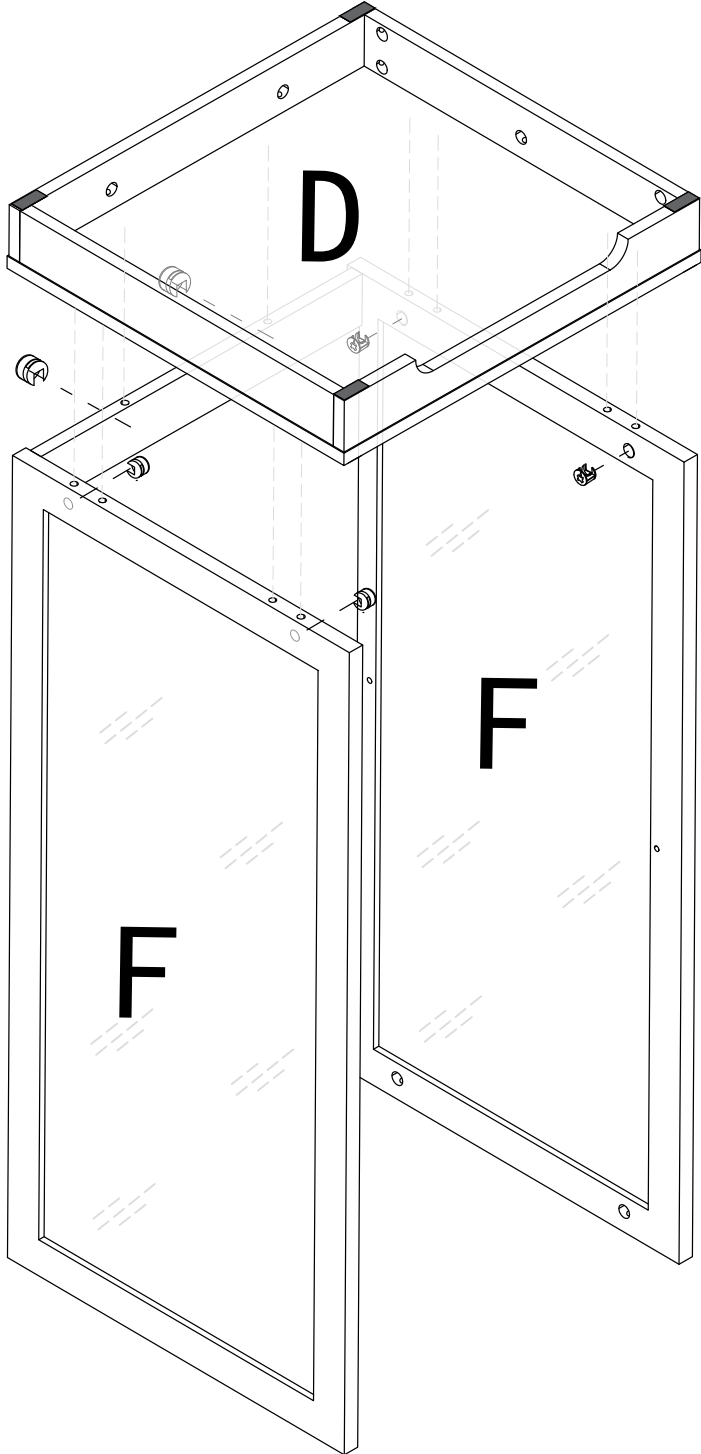
Step 13

3  x4

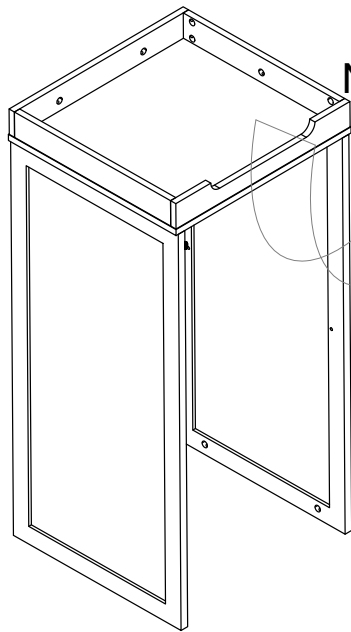


Step 14

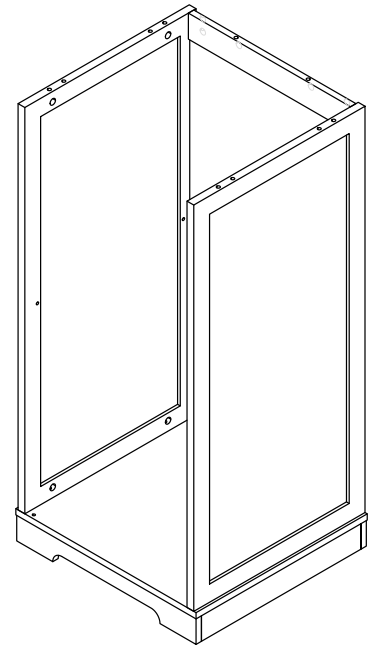
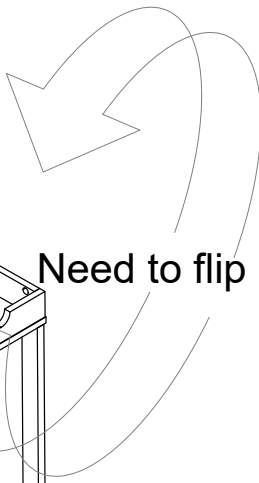
2  x6



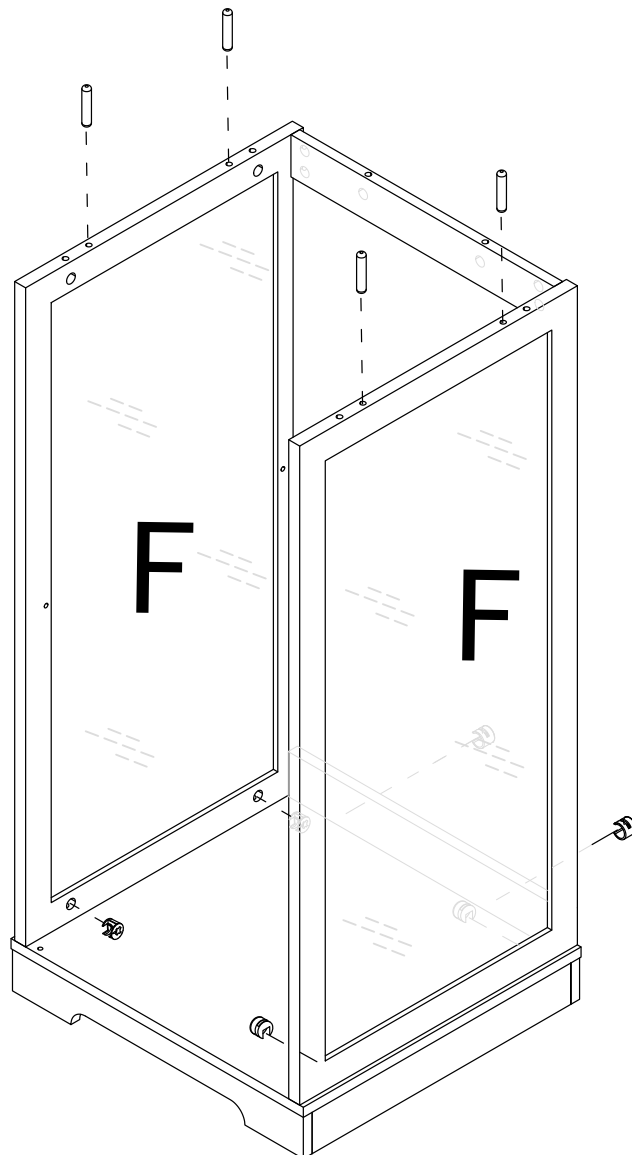
Step 15





Need to flip over

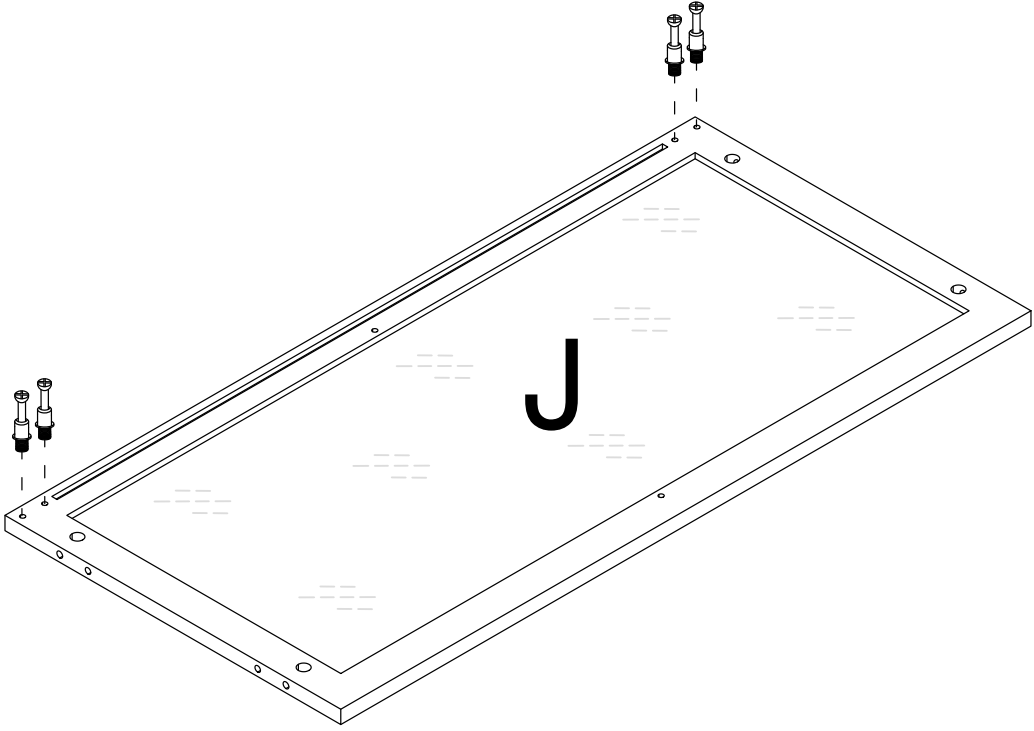
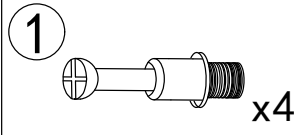


Step 16

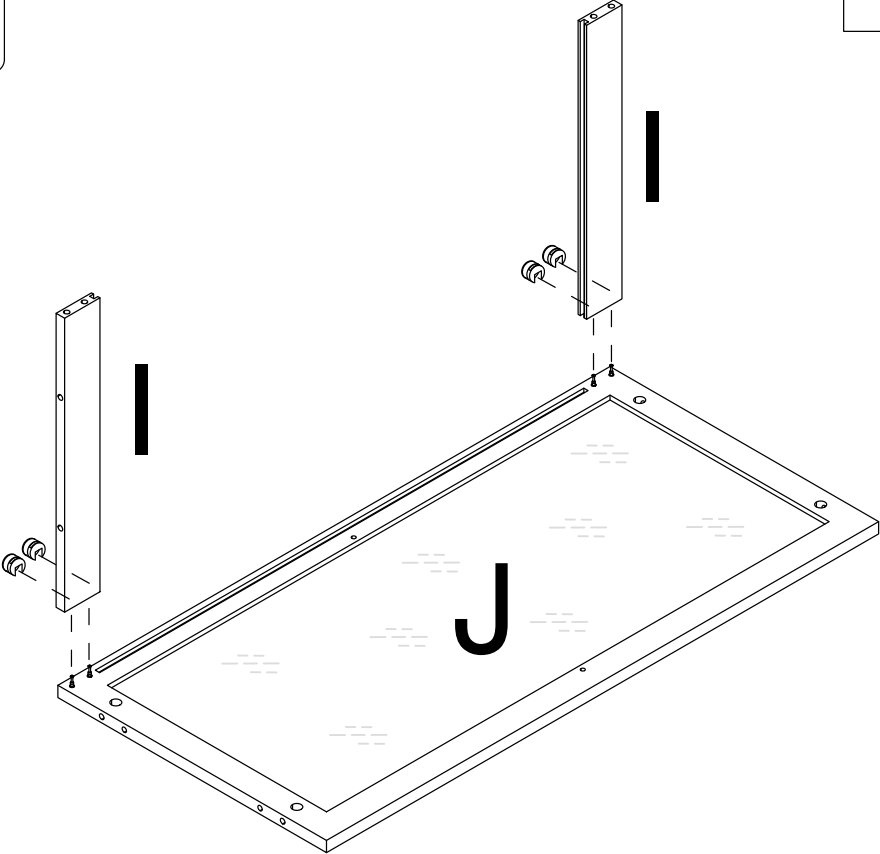


- ②  x6
- ③  x4

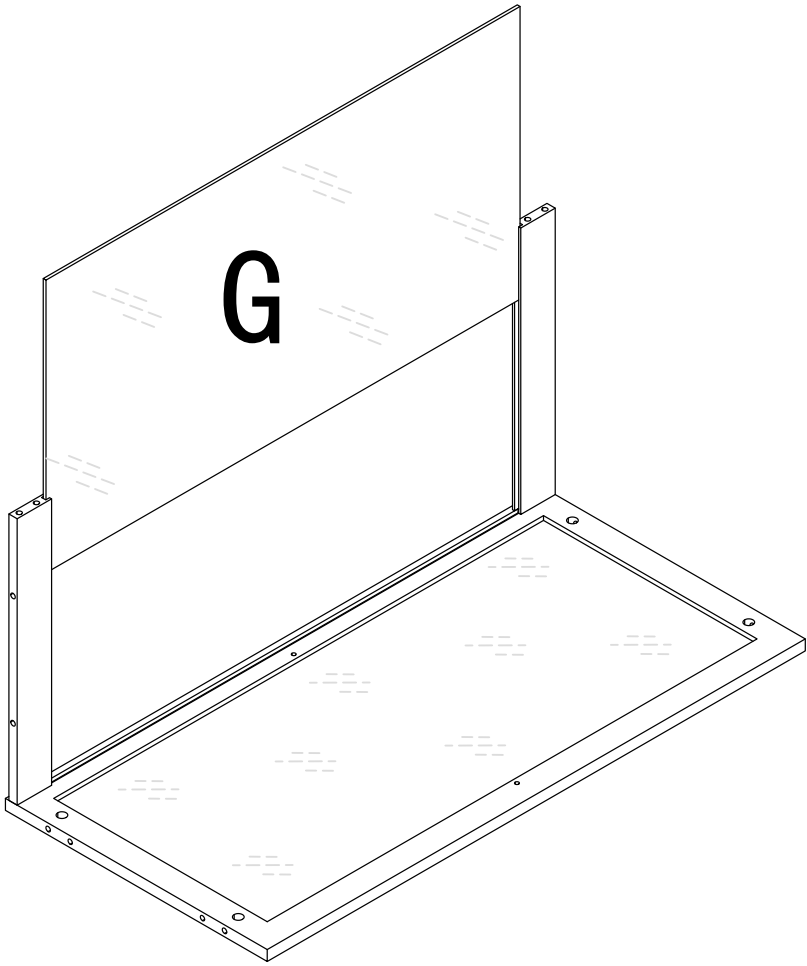
Step 17



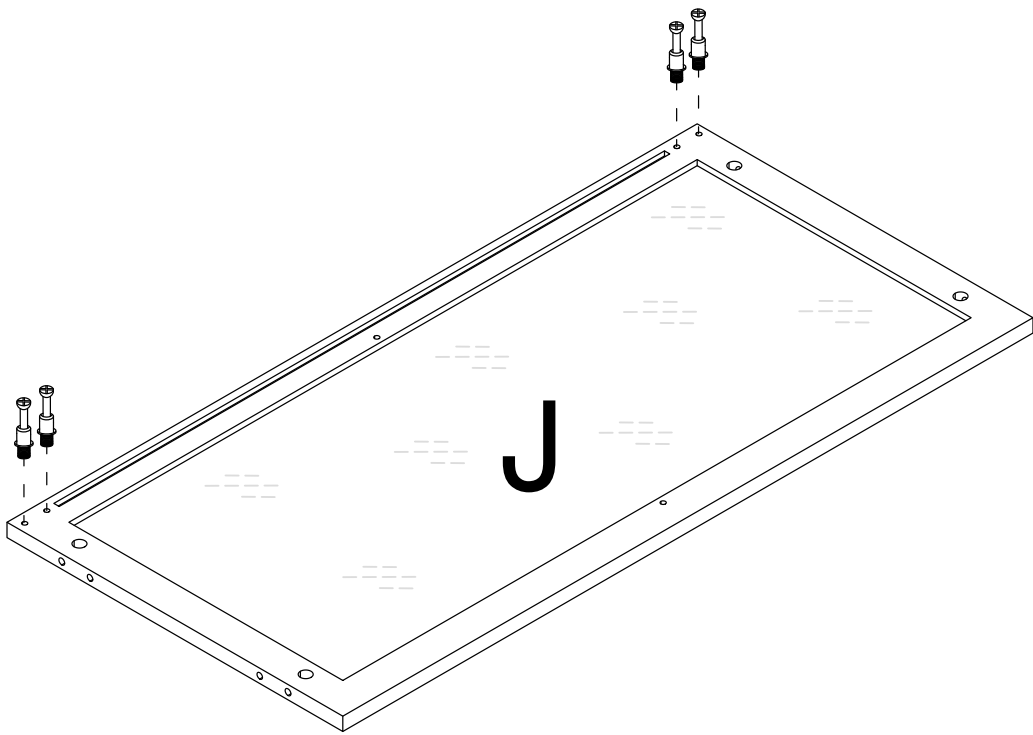
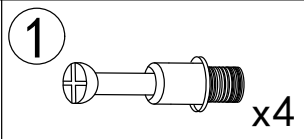
Step 18



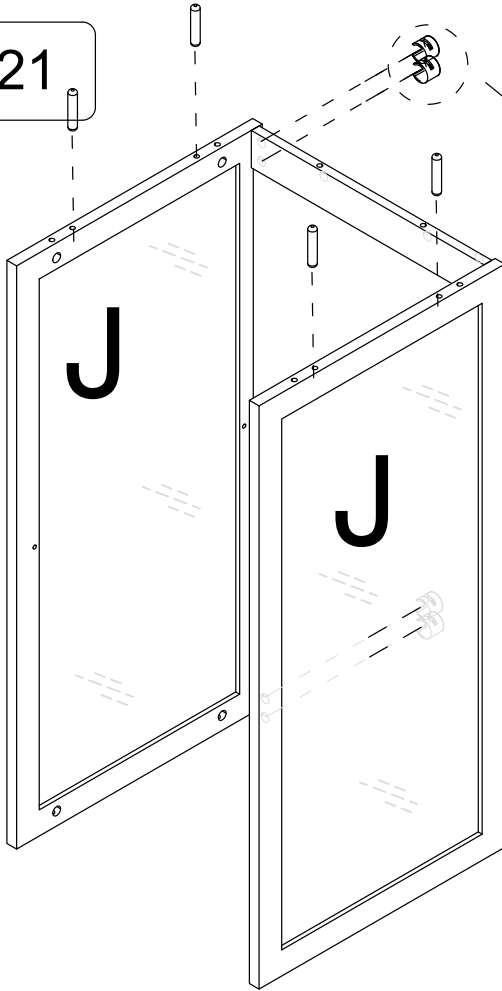
Step 19


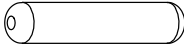


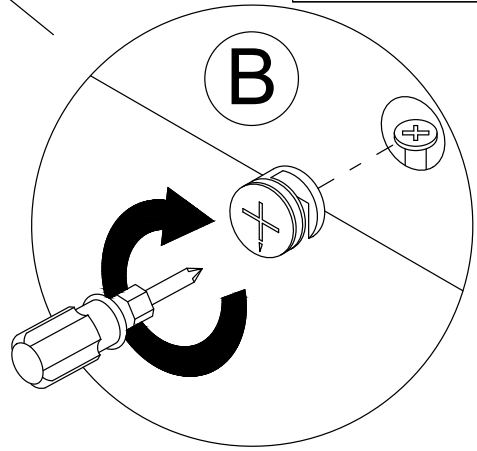
Step 20



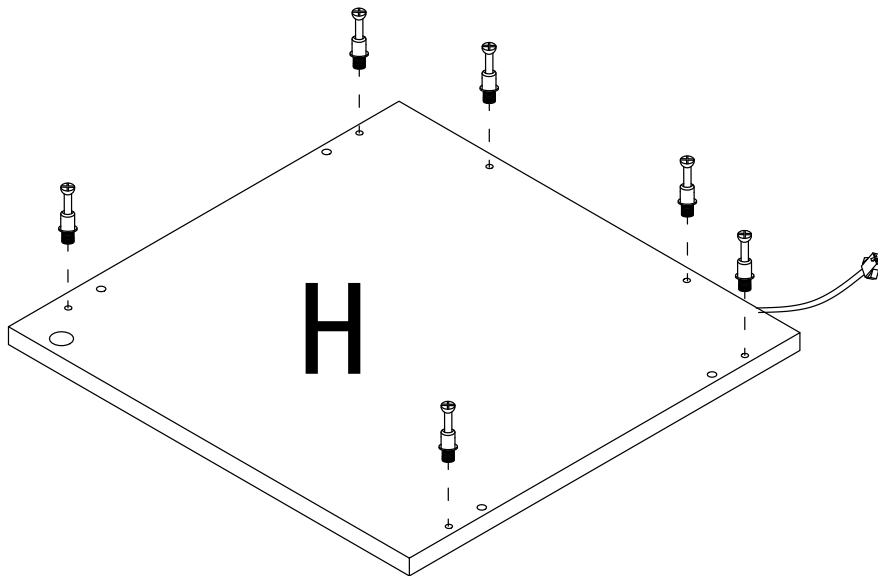
Step 21

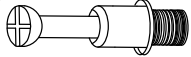


- ②  x4
- ③  x4

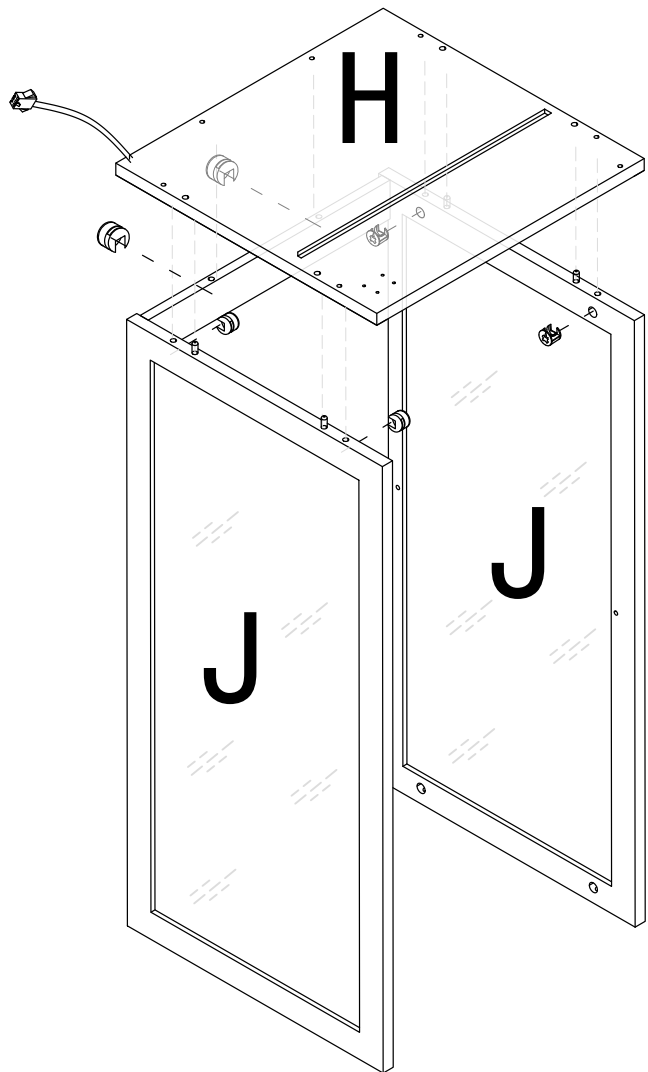



Step 22



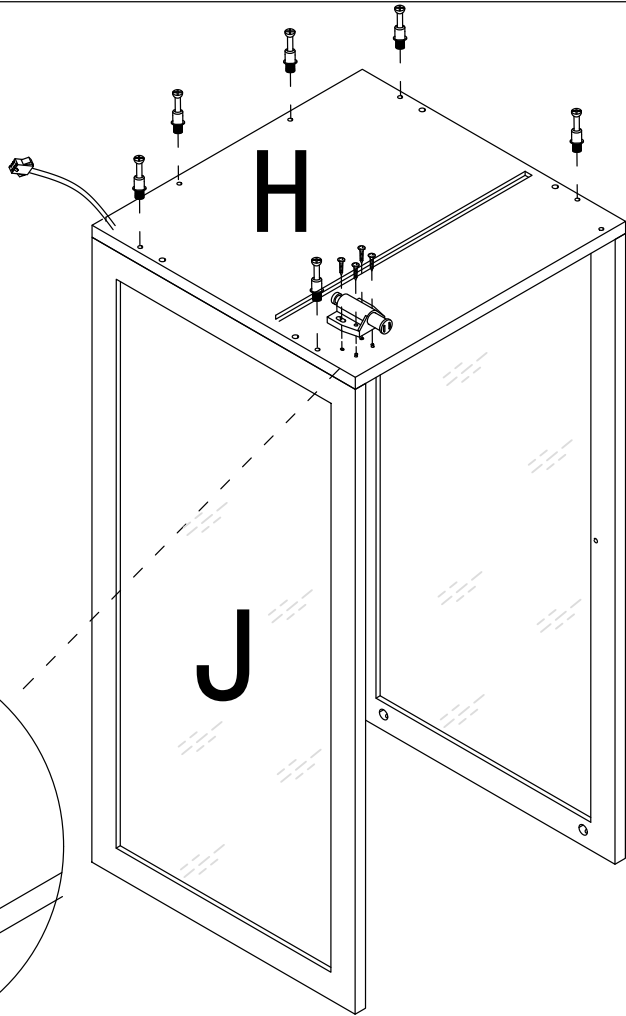
- ①  x6

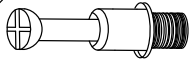
Step 23

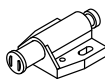



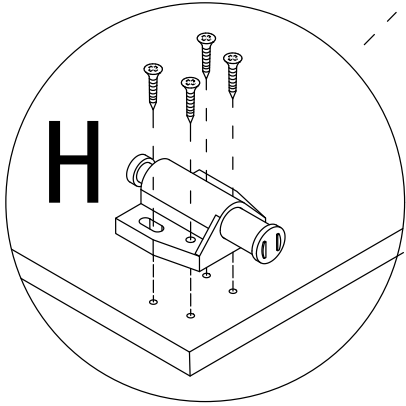
2  x6

Step 24

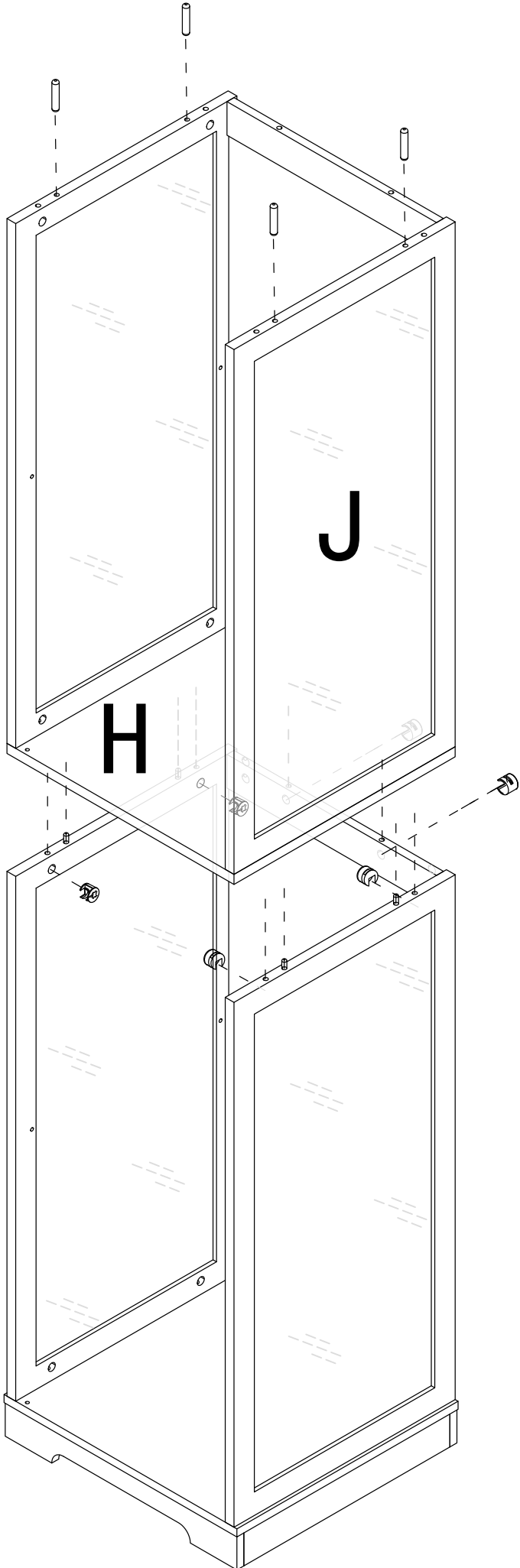



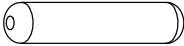
1  x6

7  x1  x4

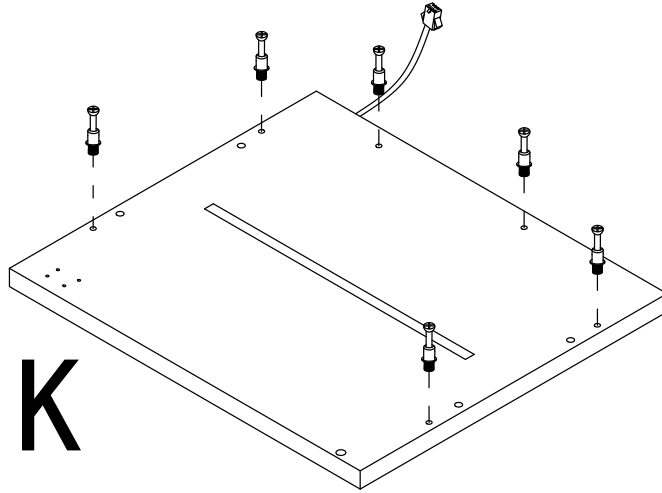
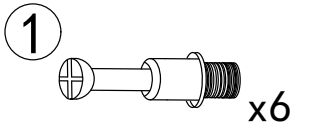


Step 25



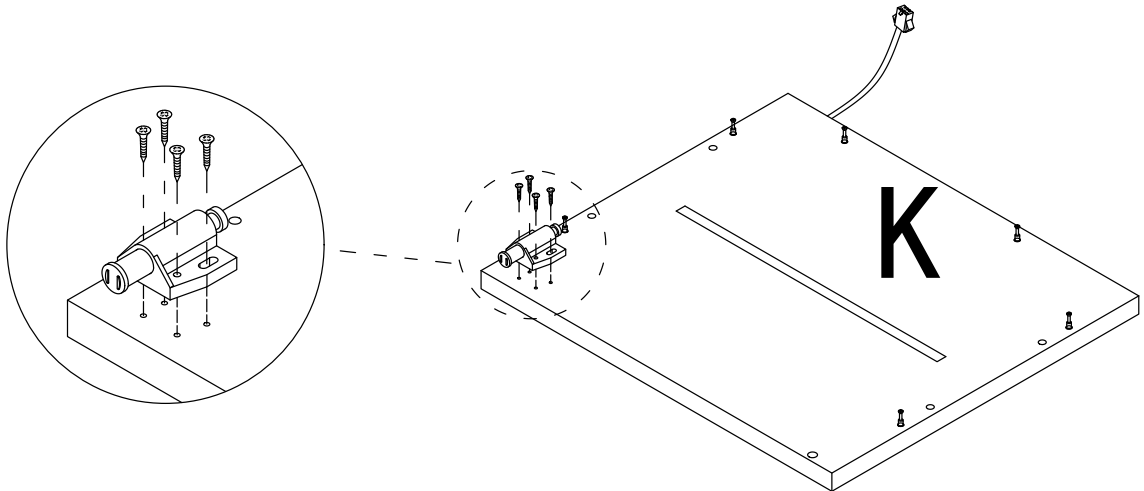
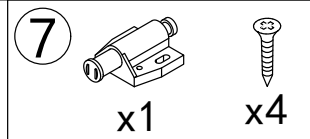
- 2  x6
- 3  x4

Step 26




K

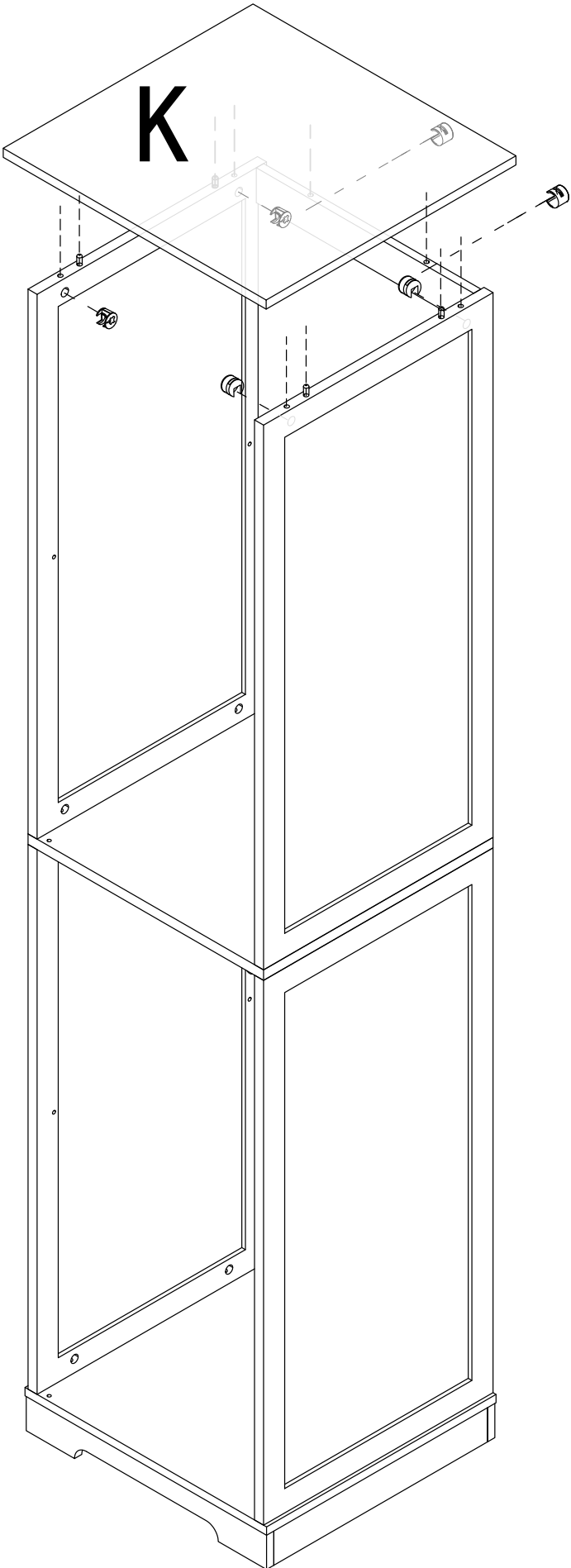
Step 27



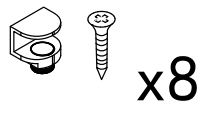
K

Step 28

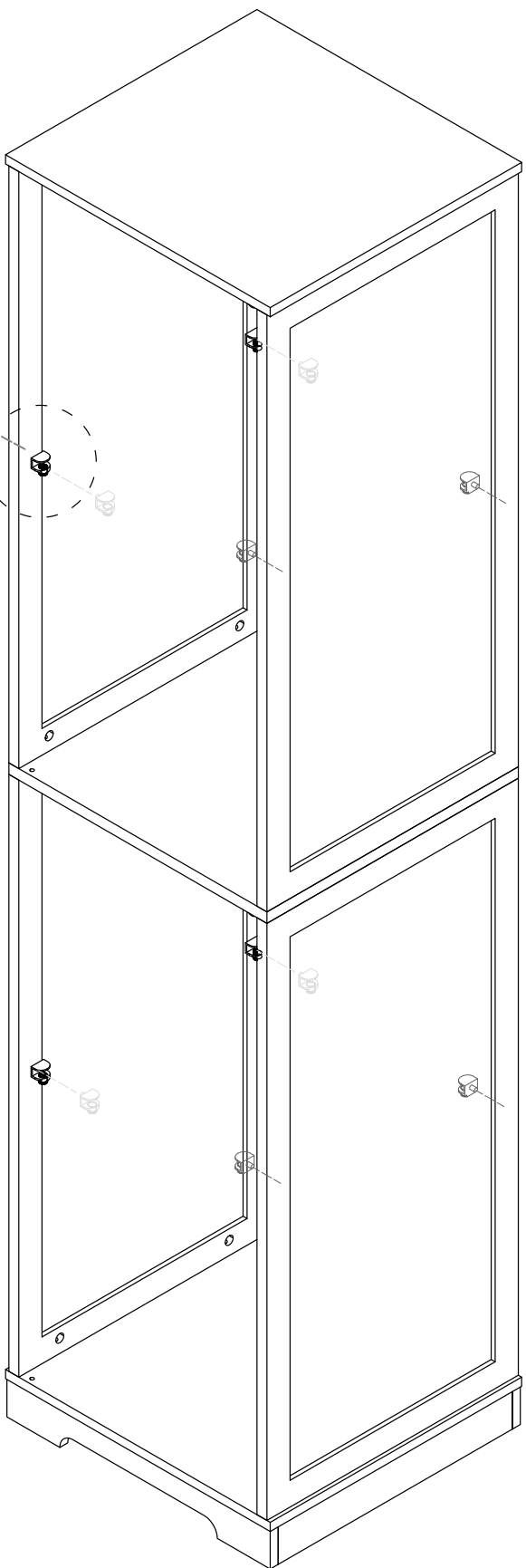
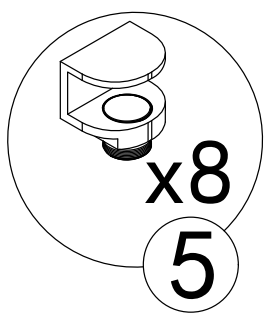
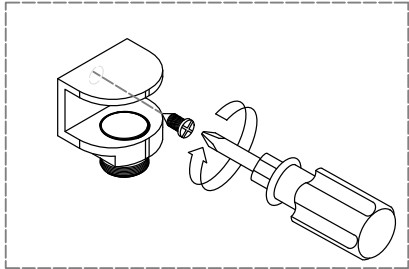
2  x6



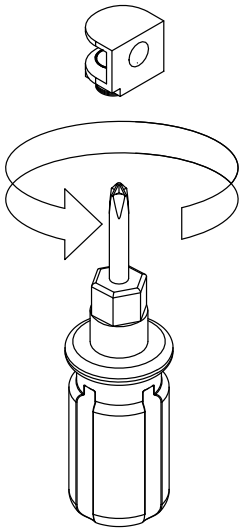
5



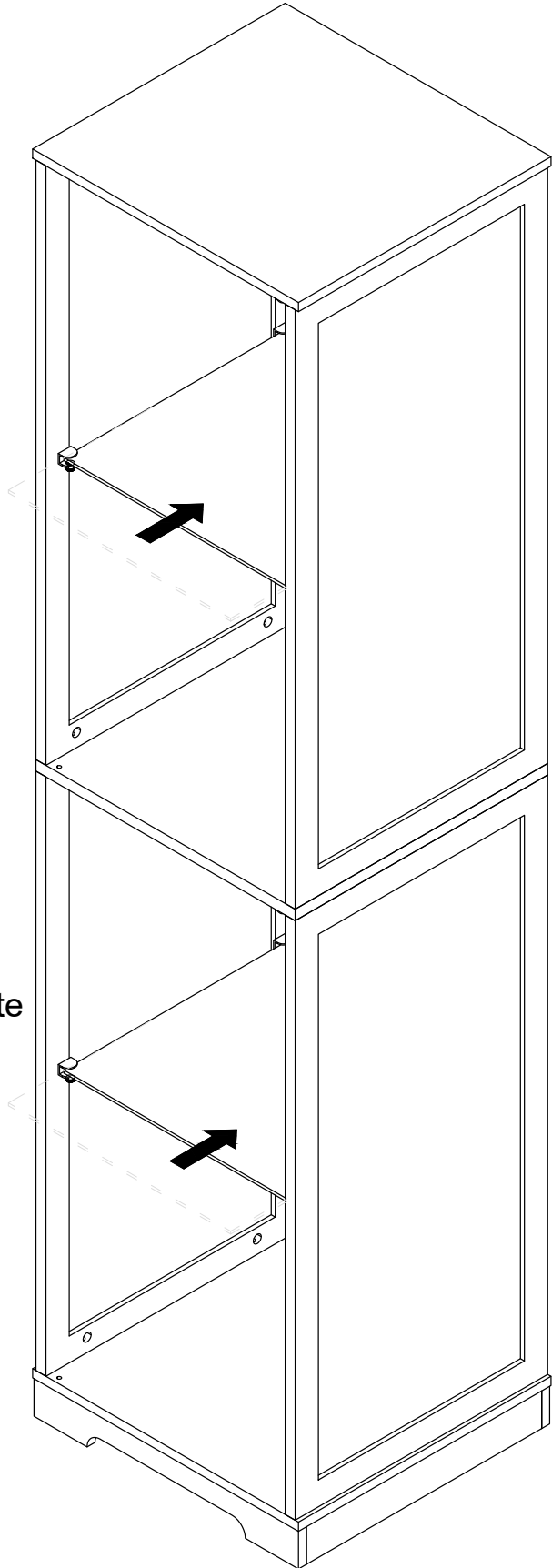
Step 29



Step 30

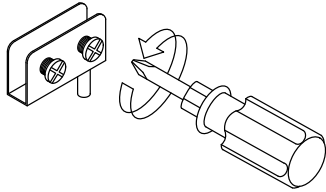


Tip: Adjusting the screw to rotate to the left can fix the glass

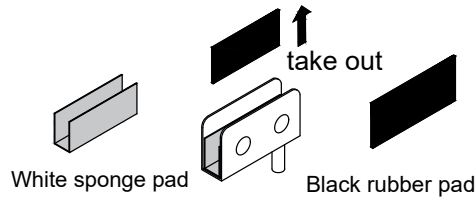


Step 31

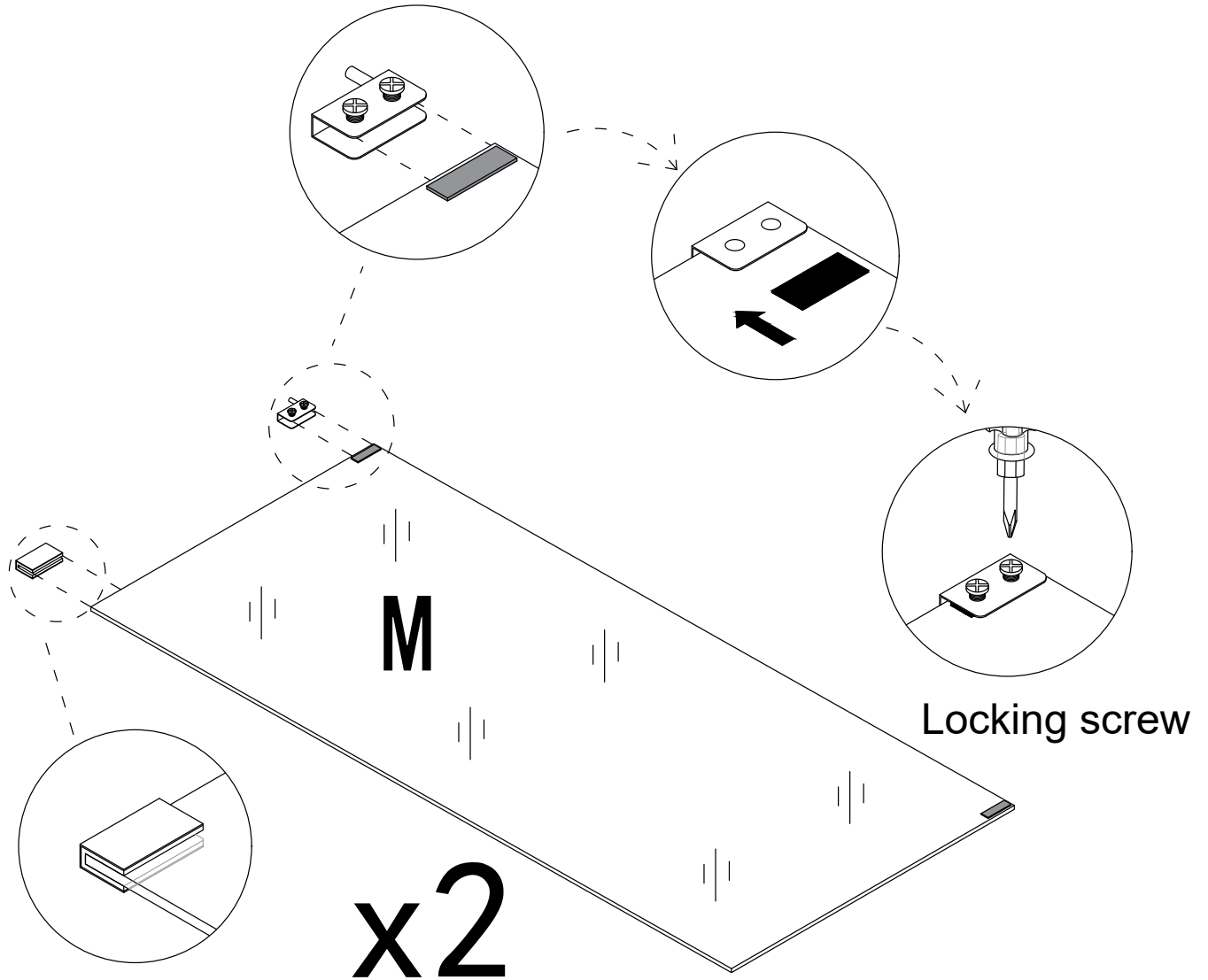
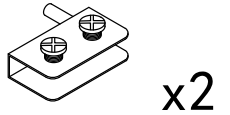
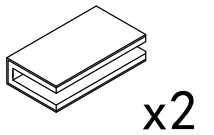
First, completely unscrew the screws on the parts



Then take out the black rubber pad from the inside of the part, and the white sponge remains unchanged inside the part.



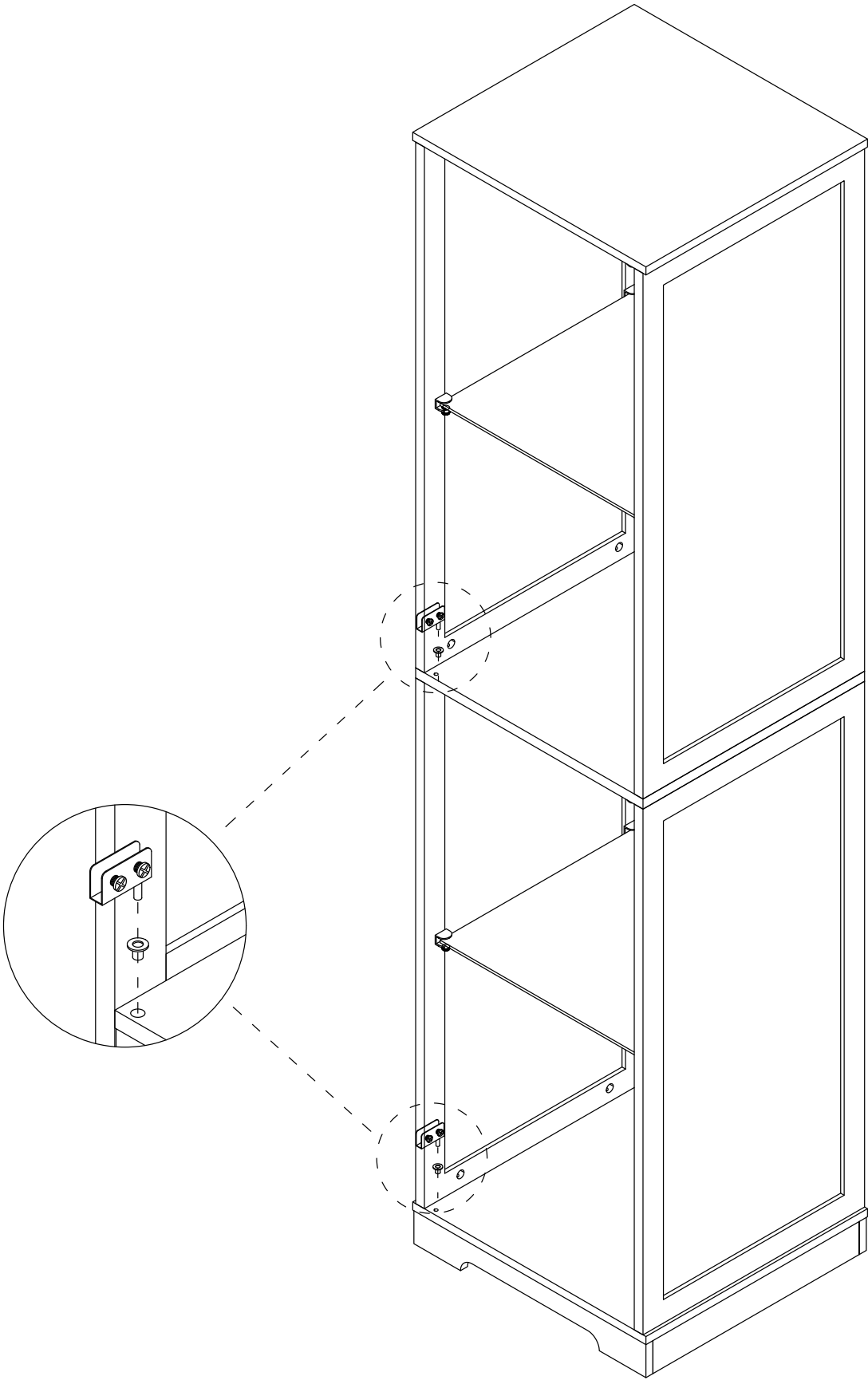
7



Pay attention to the direction of the door hinge, rotate the screws to compress the black gasket, and do not place it in the opposite direction

Place the black gasket on the side where the screws are installed

Step 32



7

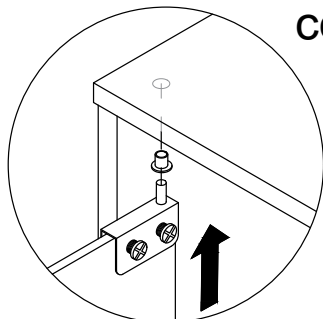


x2

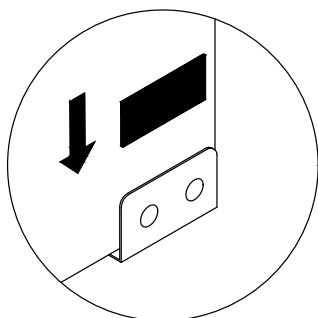
Step 33

Pay attention to the direction of the door hinge during installation

When installing a glass door, it is recommended to have two people install it to avoid the glass door colliding or hitting oneself.

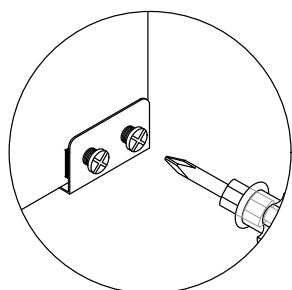


first



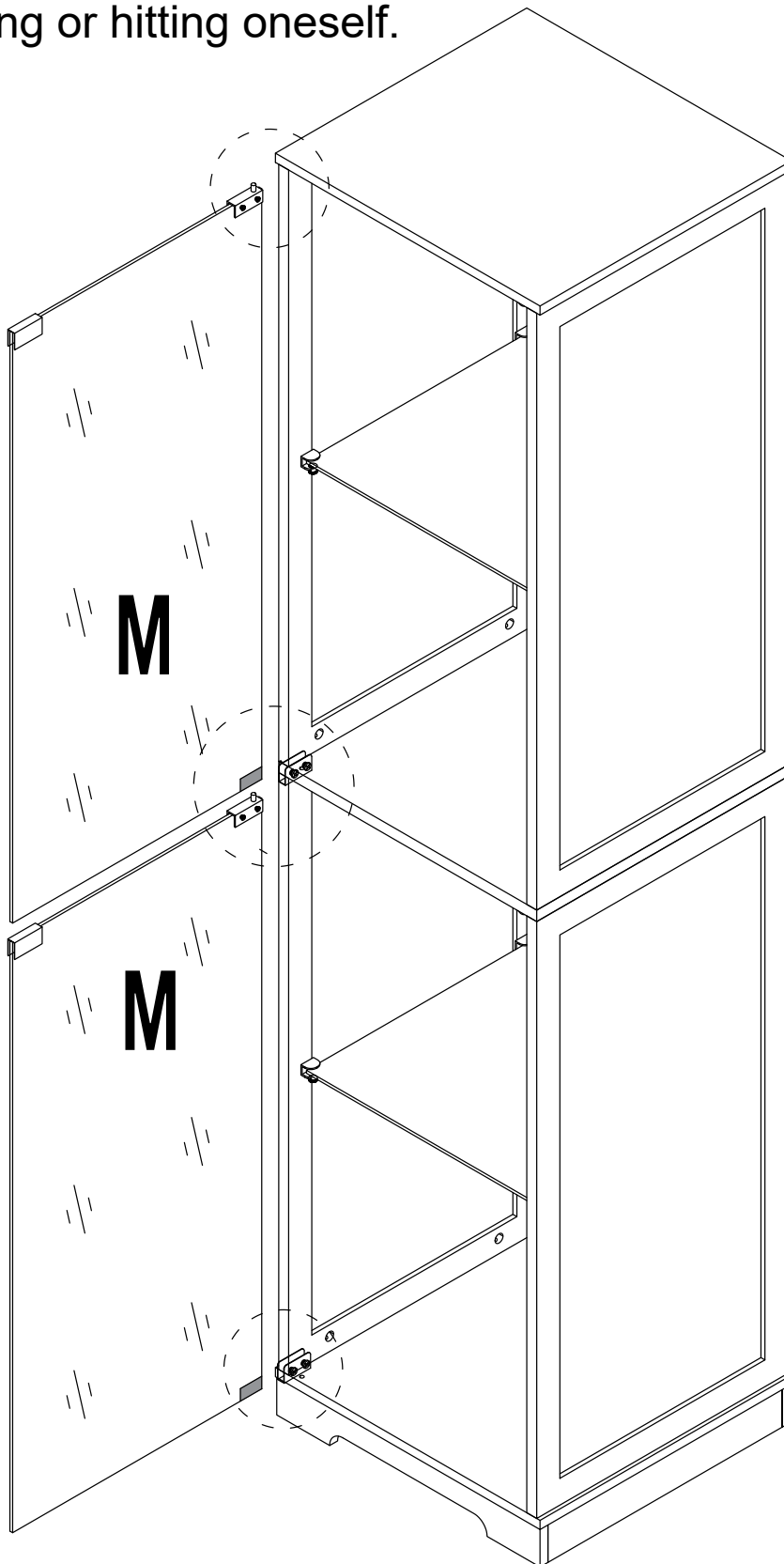
second

After installing the glass door, place the black gasket on the side where the screws are installed

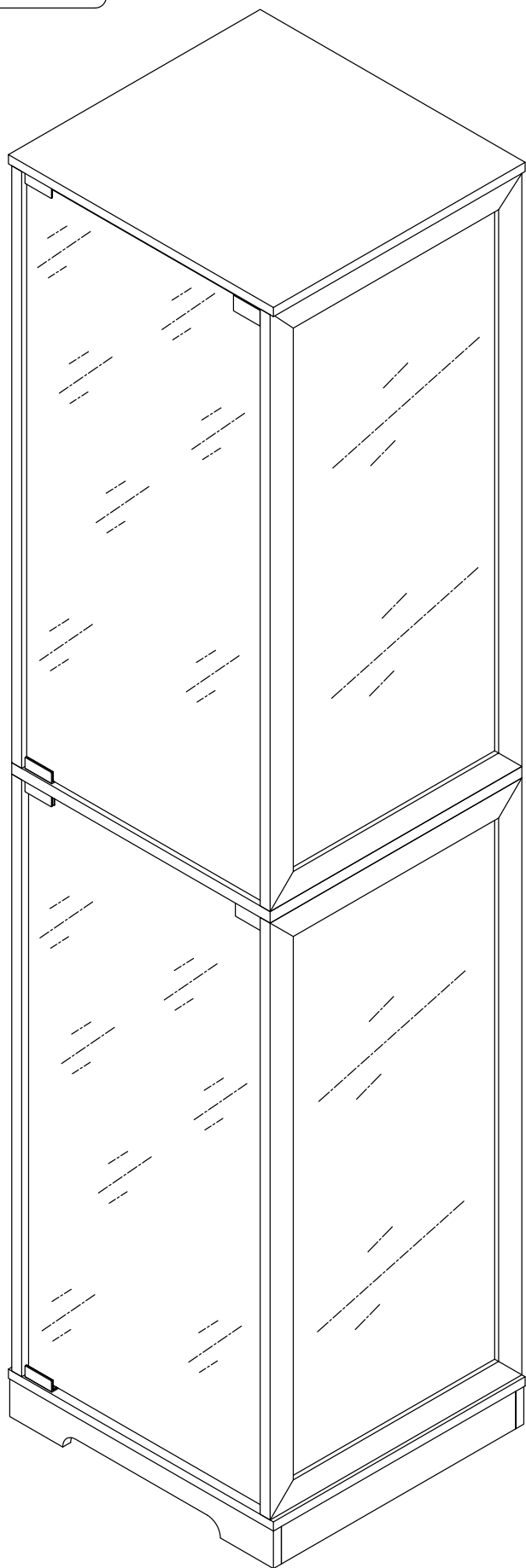


third

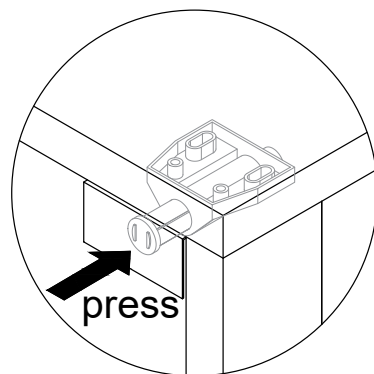
Locking screw



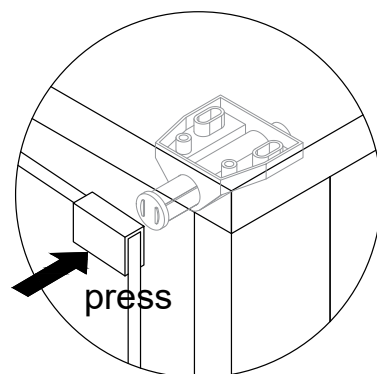
Step 34



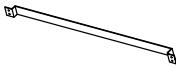

Open the glass door

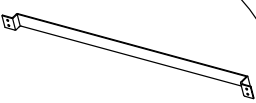
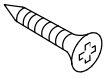


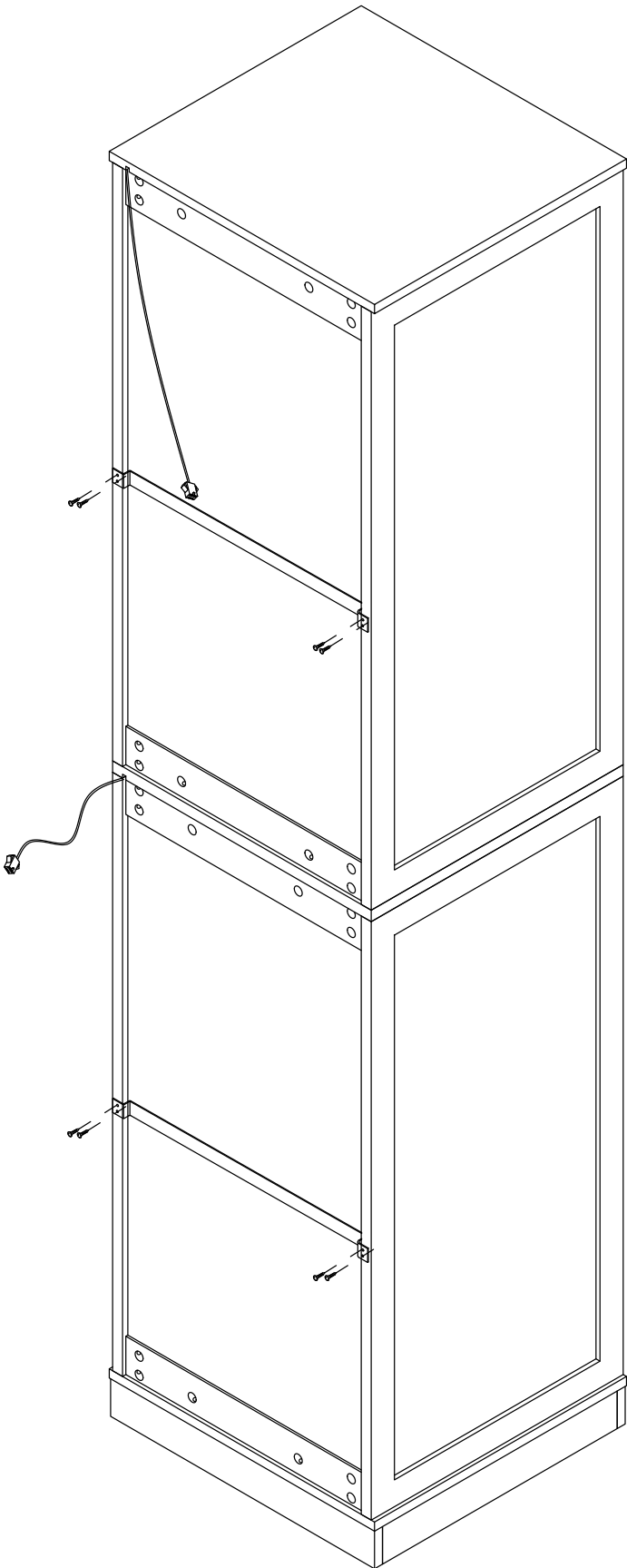
Close the glass door



Step 35

12  x2
 x8

 x8
 12



Step 36

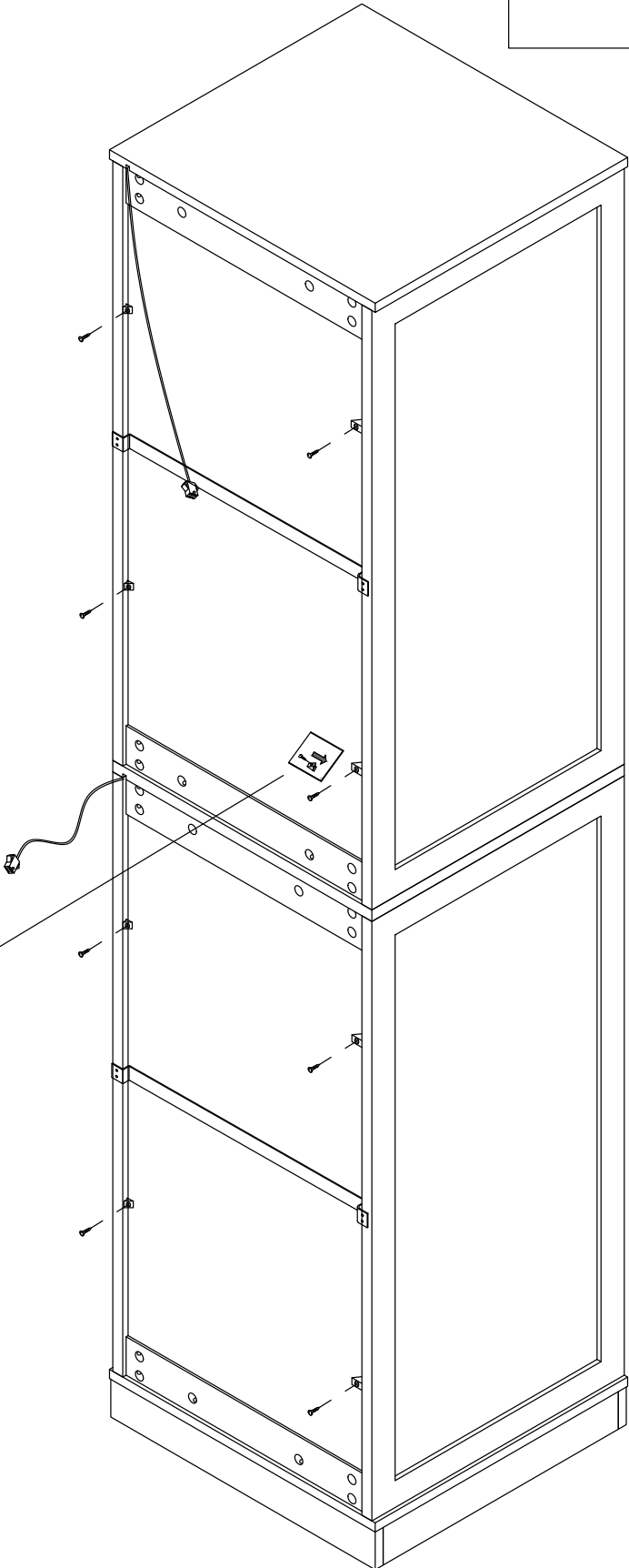
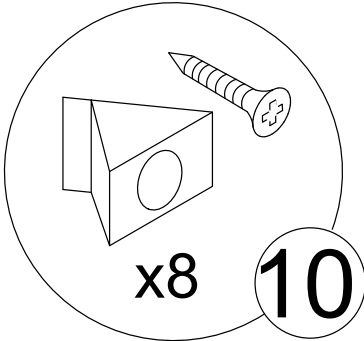
10



x8

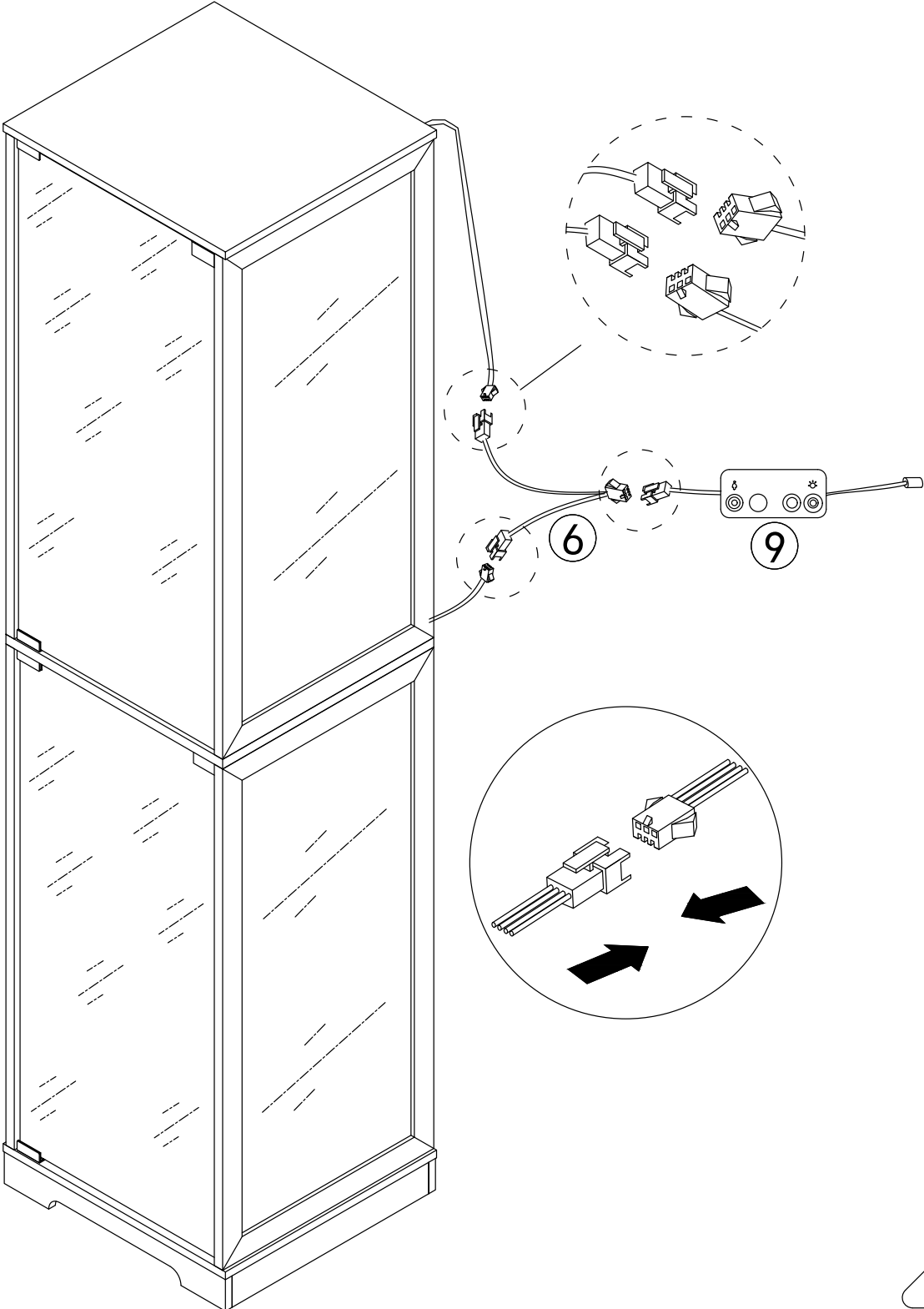
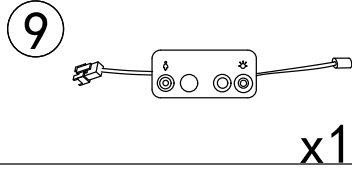
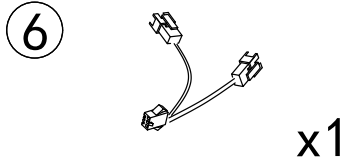


x8

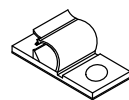


Please install the backplate buckle at the position indicated by the arrow on the backplate.

Step 37

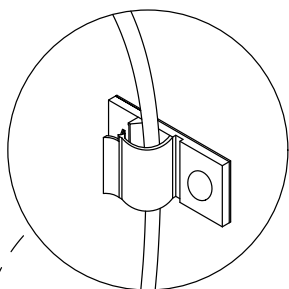


11

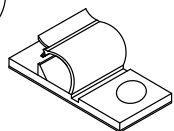


x2

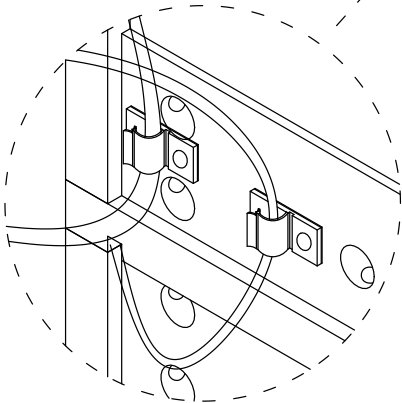
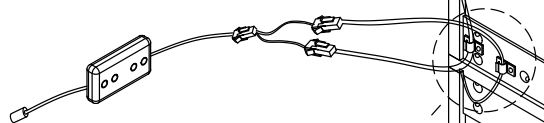
Step 38



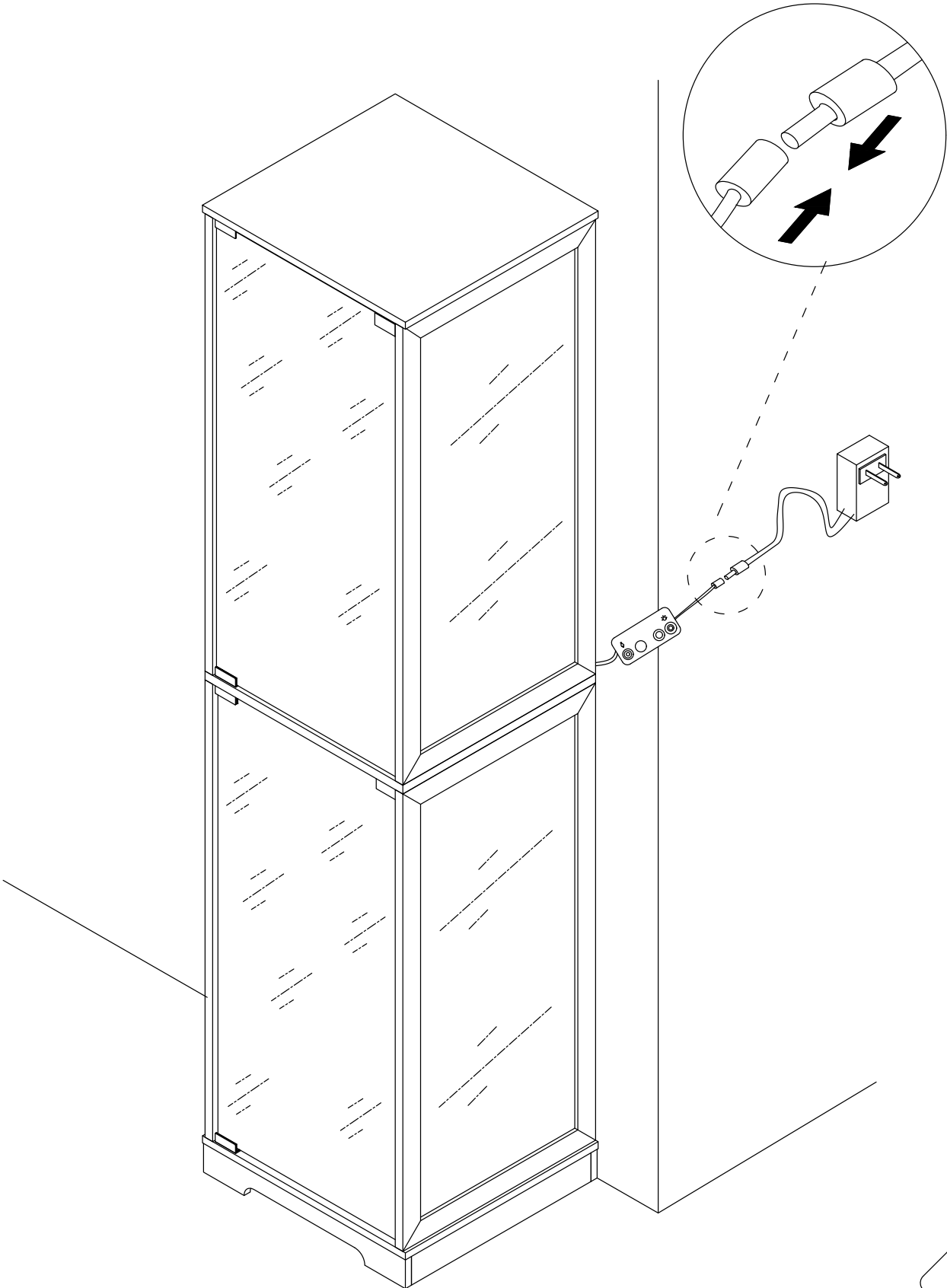
11



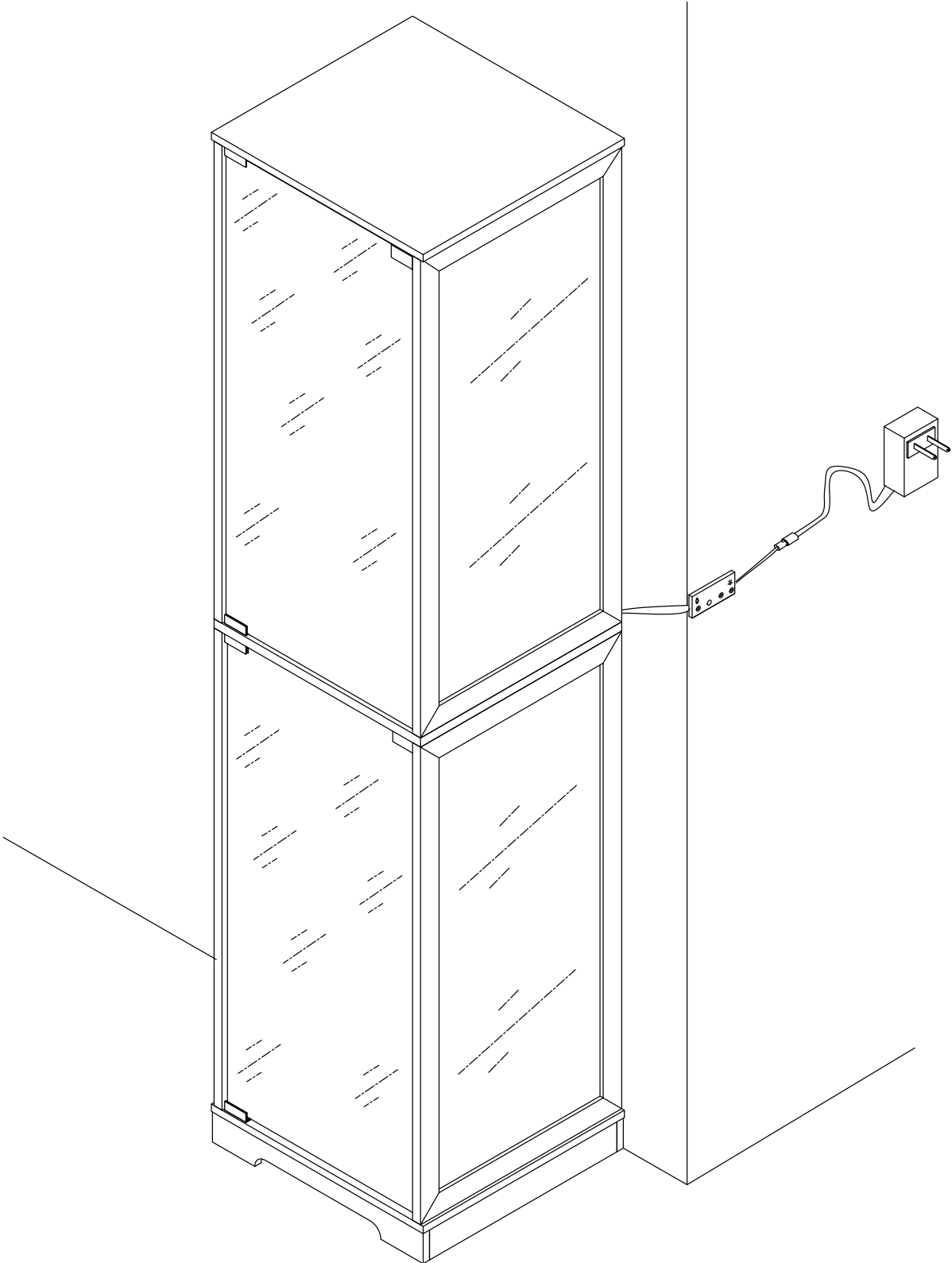
x2



Step 39



Step 40



Step 41

Install the anti fall hardware on the cabinet as shown in the picture first

8



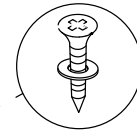
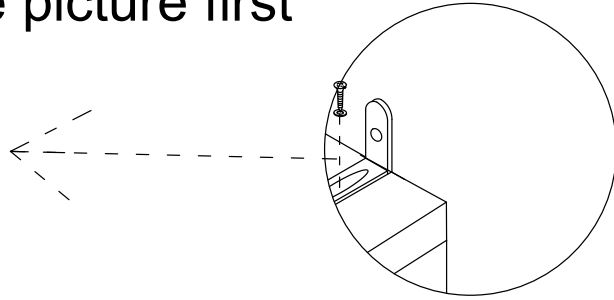
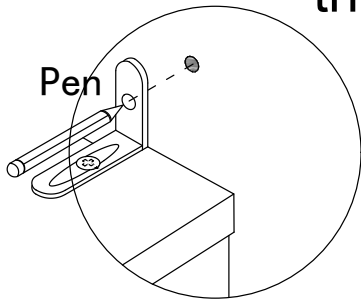
x2



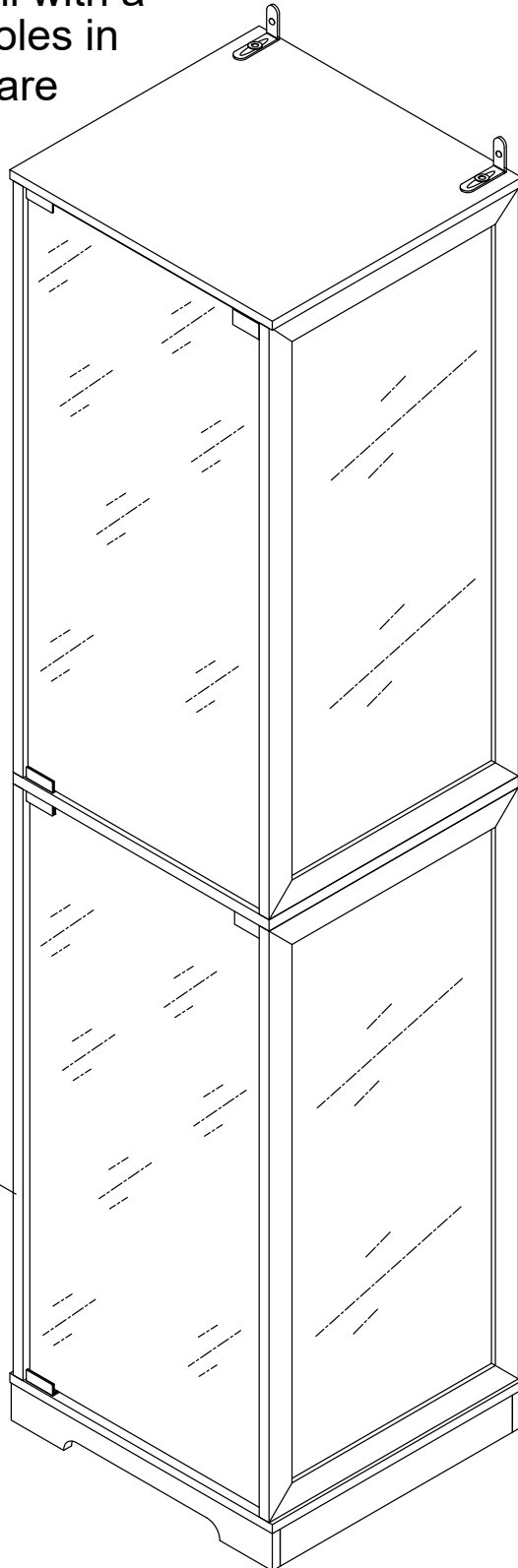
x2



x2

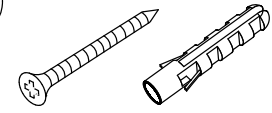


Then mark the wall with a pen through the holes in the anti-fall hardware

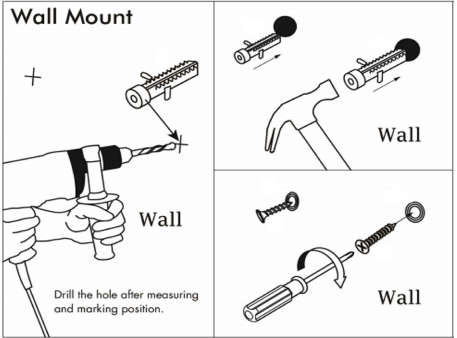


Step 42

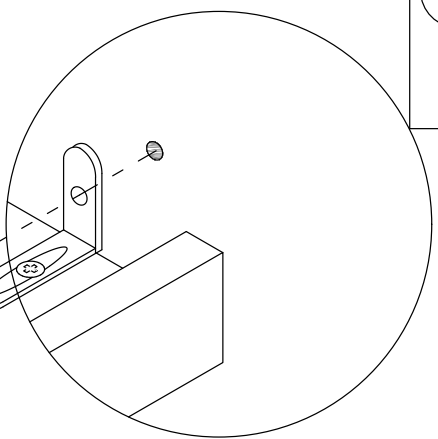
Drill the hole with an electric drill and punch in the colloidal particles

8  x2

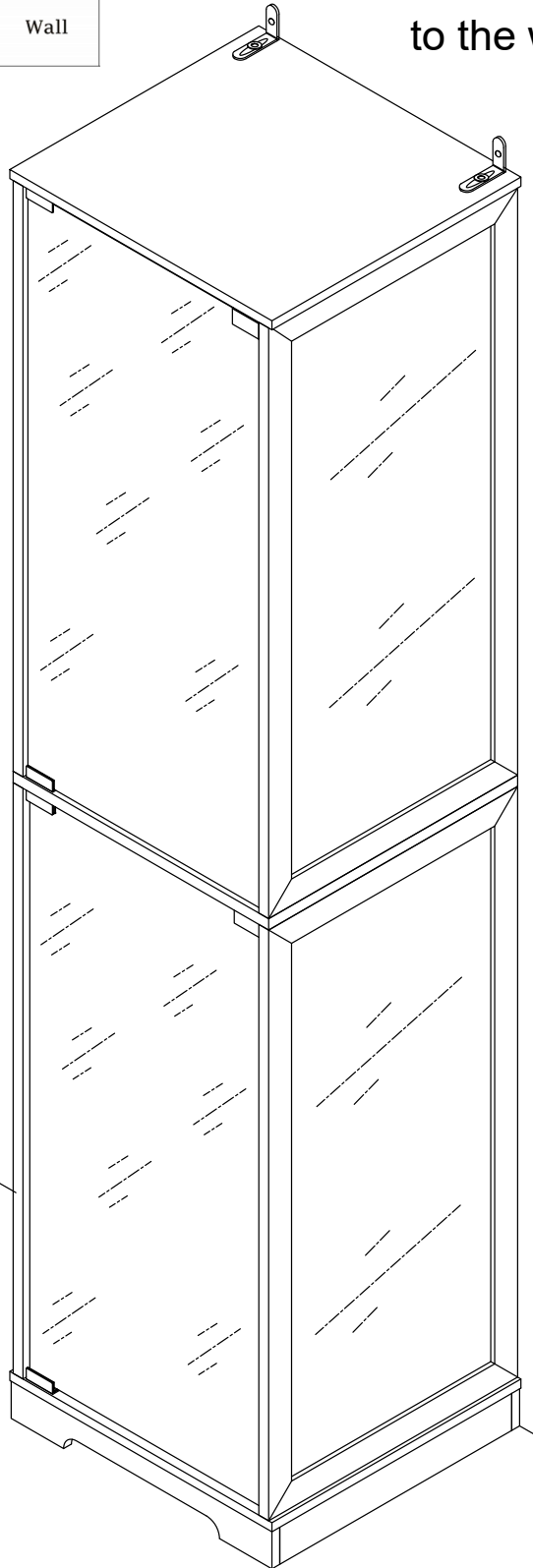
Wall Mount



Drill the hole after measuring and marking position.



Fasten the cabinet to the wall



User's Guide

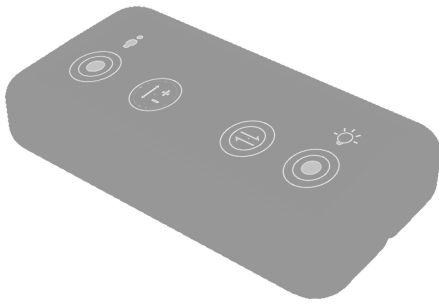
Thank you for purchasing this product.

To use this product, please plug it into a 12V DC power supply.

Please use if the product works normally after connecting to power.

Introduction

The box is an intelligent controller. With 4 touch buttons, it can turn ON/OFF the light and turn ON/OFF the induction function, change light colors, and adjust the light luminance.



Operation



This touch button is the master switch of the smart box, which can turn off all functions of the box and control the light strips on/off operation.

This touch button is used to turn on/off the induction function.



A. touch this button once to turn on the induction function (indicator light on).

After the person leaves or remains stationary for more than 30 seconds, the light strip goes out; people and objects within a range of 1 meters move will light up the light strip.

B. Long press this button for 0.5 seconds to turn off the human body induction function (the indicator light goes out). At this point, Keep the light strip as it was before turning off and no longer be affected by human and object activities. By default, induction function is enabled when powered on.



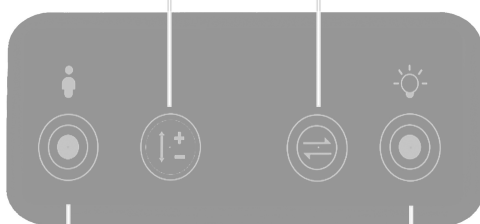
This touch button controls the single-color switching function of the light strips, offering 3 different colors to choose from. Simply tap to cycle through the options.



This touch button is the brightness adjustment button. Press and hold to adjust the brightness. Note: The brightness of each color can be adjusted separately.

Brightness button

3-Color Mode Button



Induction Button

Master Switch Button



ATTENTION PLEASE

1. If there is no touch response suddenly, Re-plug the power to reset the touch static electricity.
2. If you have any questions when installing, please feel free to contact us. Thank you.