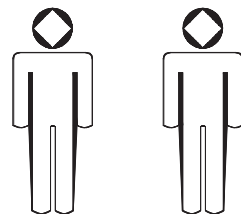


**Tools required  
(not included)**



**2 people for assembly**



## Safety and Care Advice

**Important – Please read these instructions fully before starting assembly**

- Check you have all the components and tools listed on the following pages.
- Remove all fittings from the plastic bags and separate them into their groups.
- Keep children and animals away from the work area, small parts could choke if swallowed.
- Make sure you have enough space to layout the parts before starting.

- During assembly do not stand or put weight on the product, this could cause damage.
- Assemble the item as close to its final position (in the same room) as possible.
- Assemble on a soft level surface to avoid damaging the unit or your floor.
- Parts of the assembly will be easier with 2 people.



- To reduce the likelihood of damaging your product please ensure that your power drill is set on a low torque setting.

### Care and maintenance

- Only clean using a damp cloth and mild detergent, do not use bleach or abrasive cleaners.
- From time to time check that there are no loose screws on this unit.
- This product should not be discarded with household waste. Take to your local authority waste disposal centre.

### Handy Hints

- Assemble all parts and bolts loosely during assembly, only once the product is complete should you fully tighten the bolts
- Regularly check and ensure That all bolts and fittings are tightend properly.

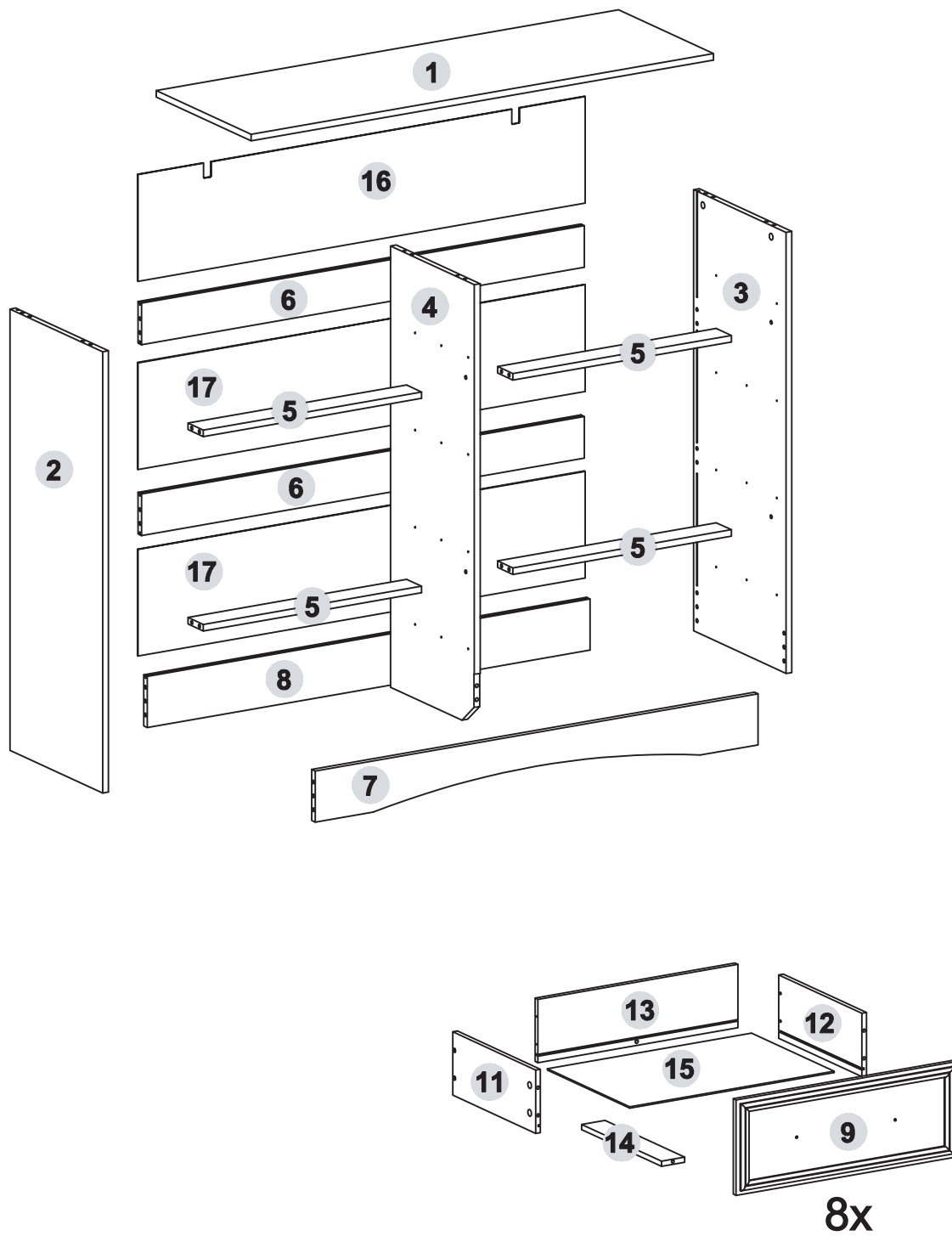


## WARNING



Children have died from furniture tipover.  
To reduce the risk of furniture tipover:  
-ALWAYS install Anti-tip device provided.  
-NEVER put a TV on this product.  
-NEVER allow children to stand climb or hang on any drawers, doors, or shelves.  
-NEVER open more than one drawer at a time.  
-Place heaviest items in the lowest drawers.  
This is a permanent label.  
Do not remove!

# PACKAGE INCLUDE

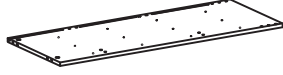


# PART IDENTIFICATION



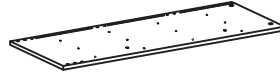
1

1x



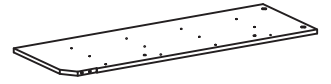
2

1x



3

1x



4

1x



5

4x



6

2x



7

1x



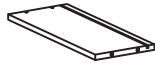
8

1x



9

8x



11

8x



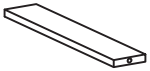
12

8x



13

8x



14

8x



15

8x



16

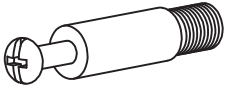

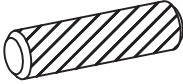


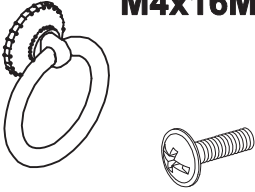
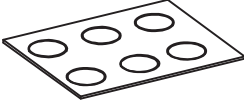

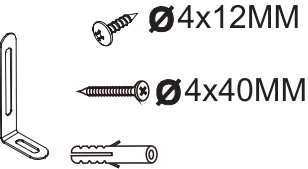
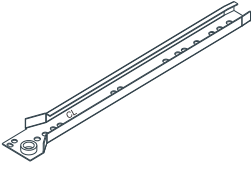
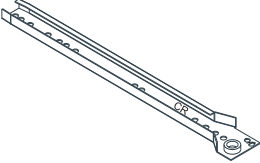
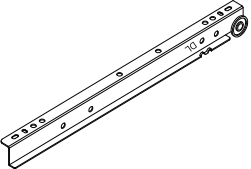
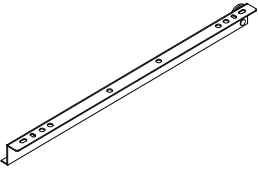
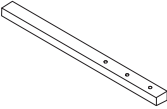
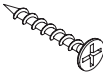
1x



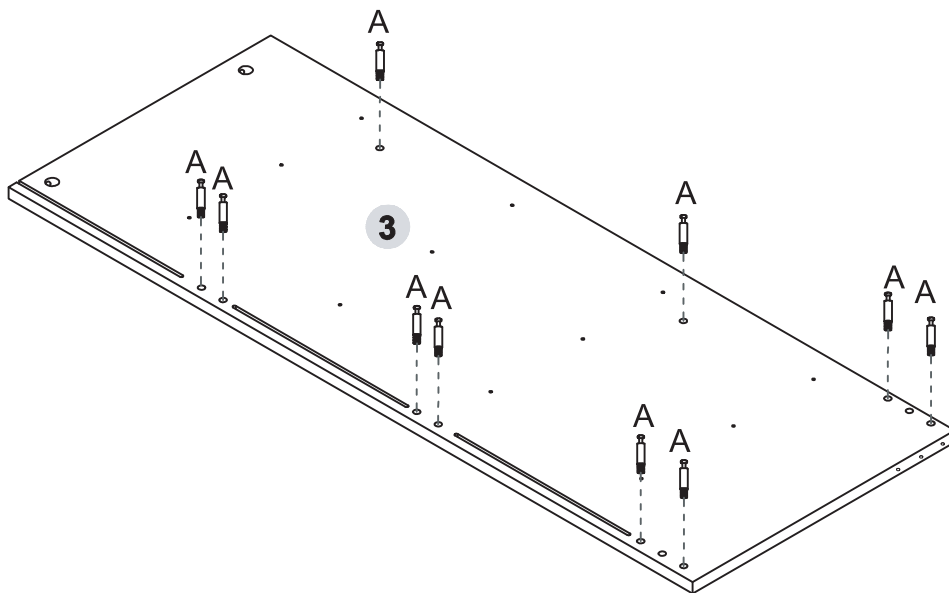
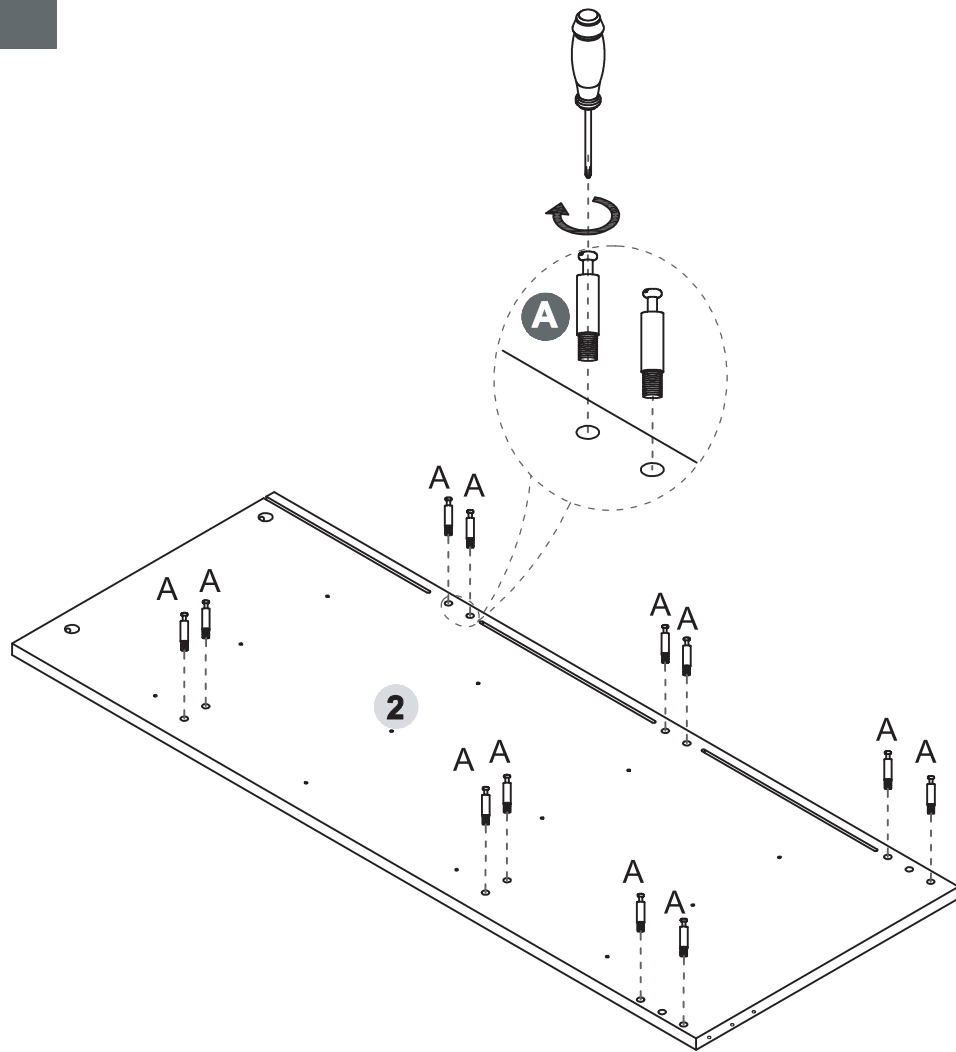
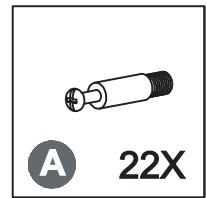
17

2x


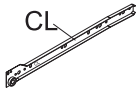
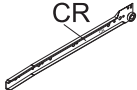
# PACKAGE CONTENT

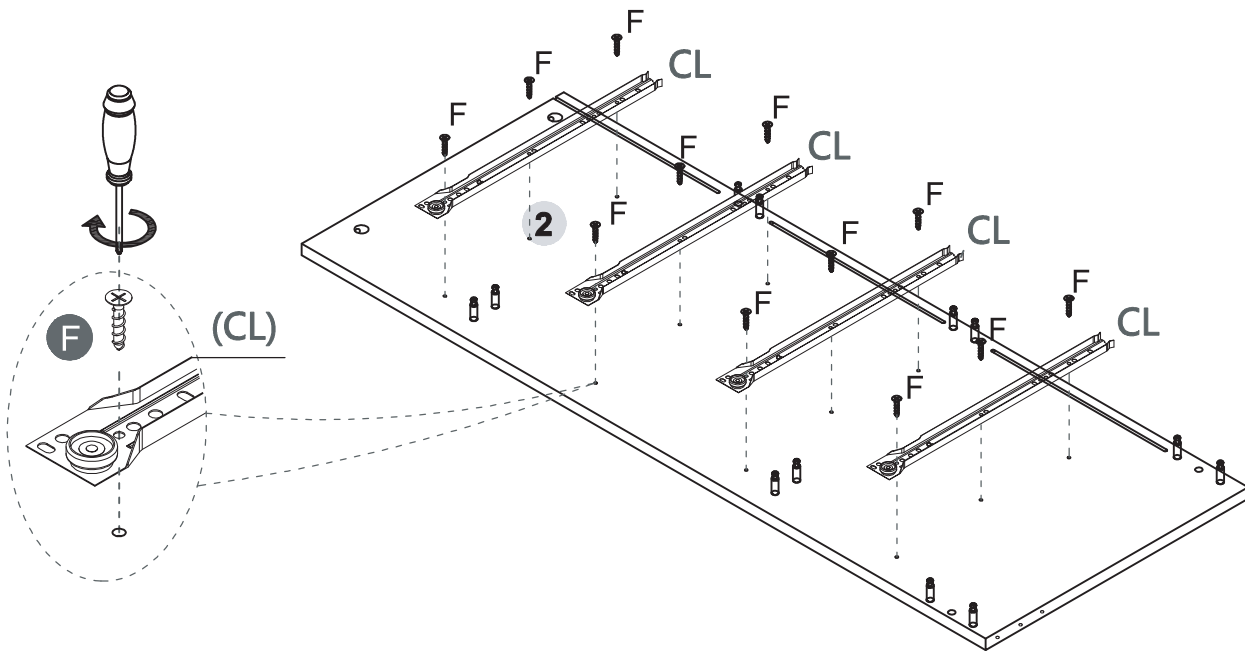
|  |   |   |  |
|--|---|---|--|
| <br><b>A</b> <b>76x+5</b>                         | <p><b>Ø15x10MM</b></p> <br><b>B</b> <b>76x+5</b> | <p><b>Ø6x30MM</b></p> <br><b>C</b> <b>10x+1</b> | <br><b>E</b> <b>18x+1</b>                       |
| <p><b>Ø3.5x12MM</b></p> <br><b>F</b> <b>80x+7</b> | <p><b>M4x16MM</b></p> <br><b>G</b> <b>16x</b>    | <br><b>H</b> <b>32x+3</b>                       | <p><b>Ø4x35MM</b></p> <br><b>K</b> <b>46x+4</b> |
| <br><b>L</b> <b>2x</b>                           | <br><b>CL</b> <b>8x</b>                        | <br><b>CR</b> <b>8x</b>                       | <br><b>DL</b> <b>8x</b>                       |
| <br><b>DR</b> <b>8x</b>                         | <p><b>W250x8MM</b></p> <br><b>Y</b> <b>2x</b>  | <p><b>Ø4x25MM</b></p> <br><b>Z</b> <b>6x</b>  |  |
|  |   |   |  |

# STEP 1

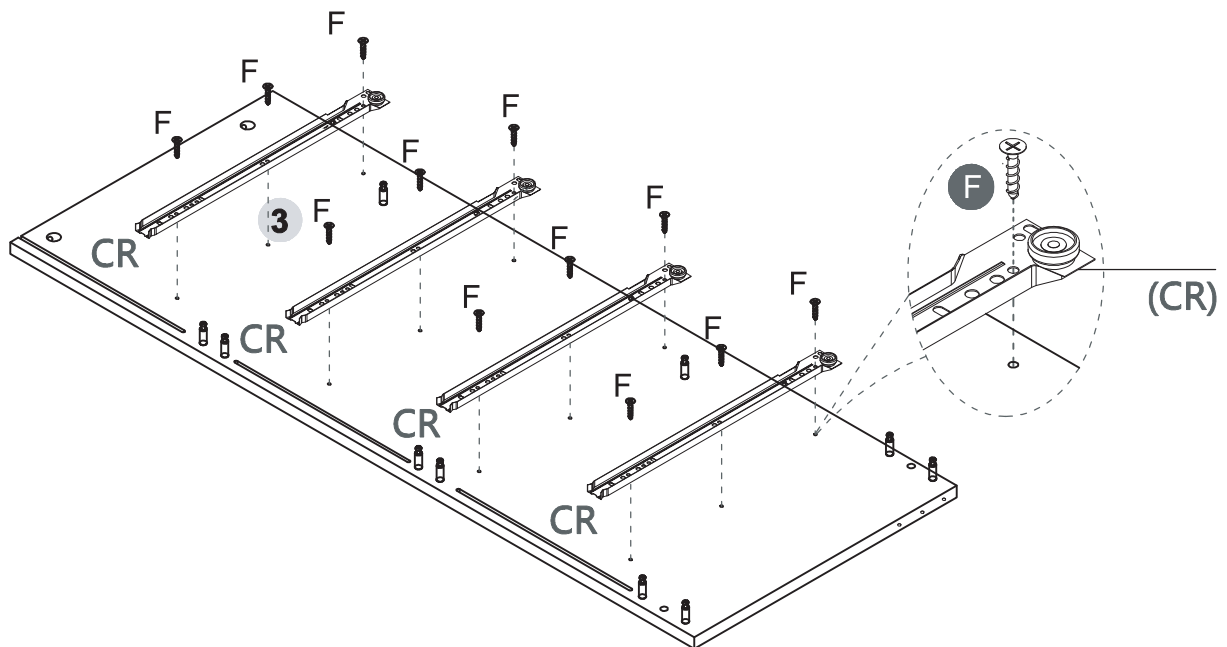


# STEP 2

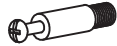

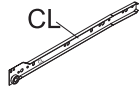
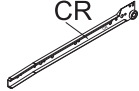
|  |   |   |
|--|---|---|
|  |  |  |
| <b>F</b> 24X   | <b>CL</b> 4X  | <b>CR</b> 4X  |

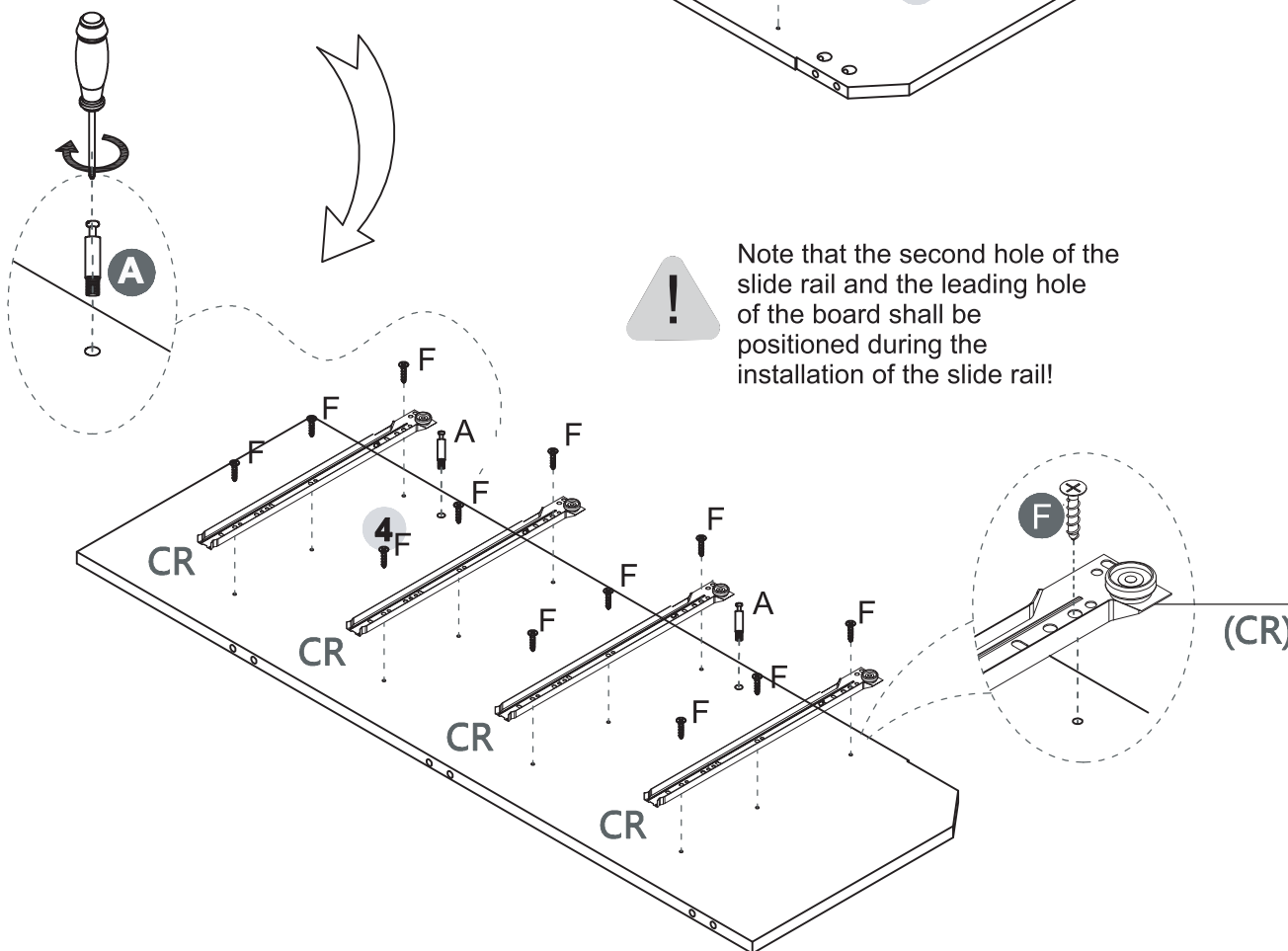
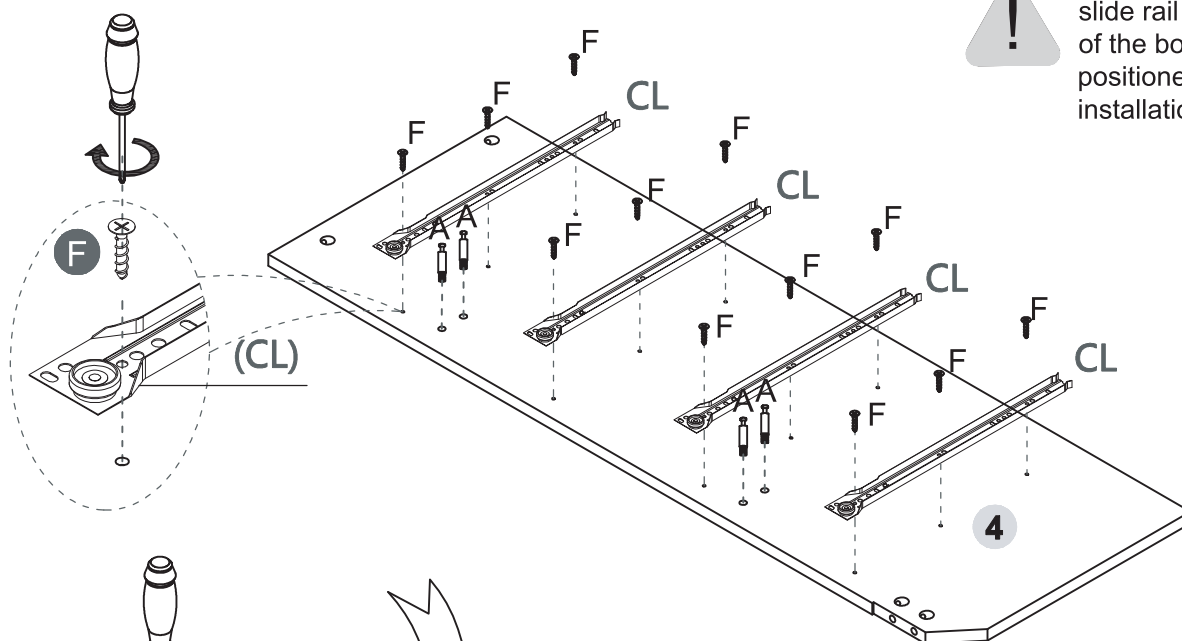


Note that the first hole of the slide rail and the leading hole of the board shall be positioned during the installation of the slide rail!





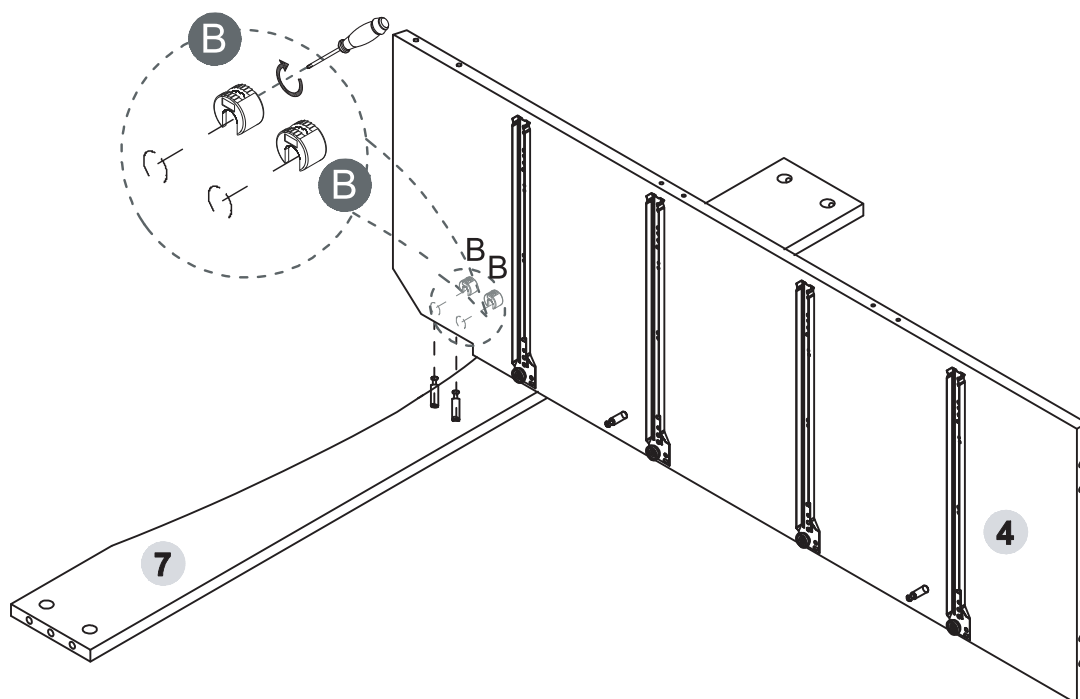
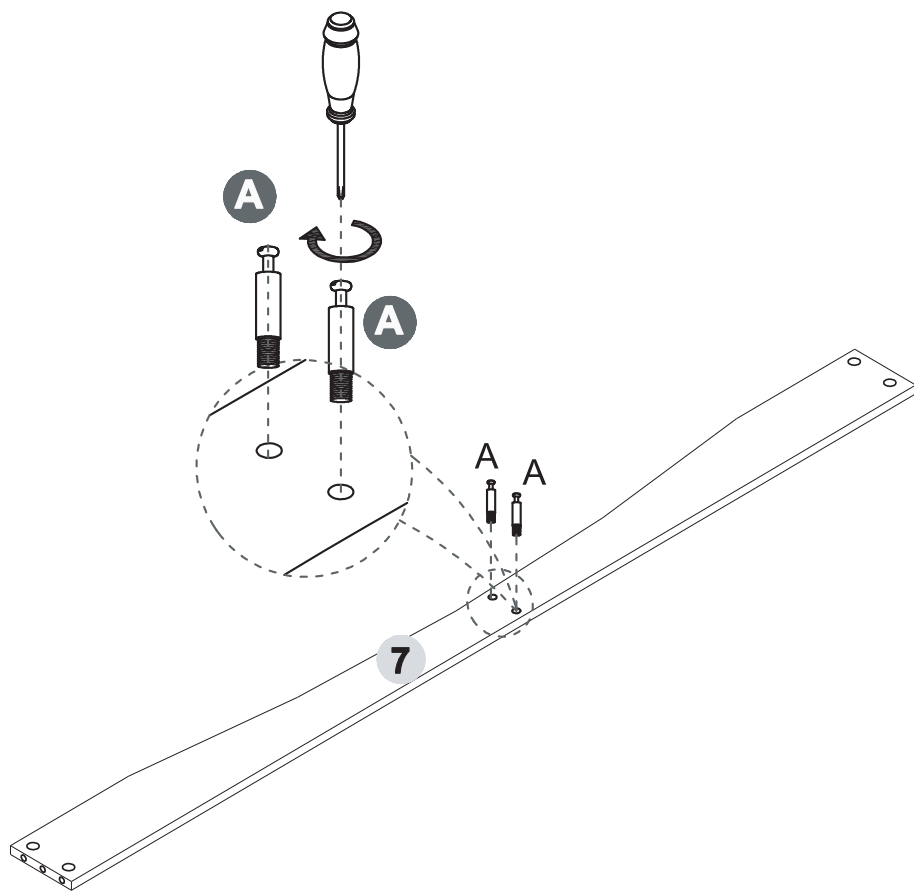
# STEP 3

|   |  |   |   |
|---|--|---|---|
|  |  |  |  |
| <b>A</b> 6X   | <b>F</b> 24X   | <b>CL</b> 4X  | <b>CR</b> 4X  |

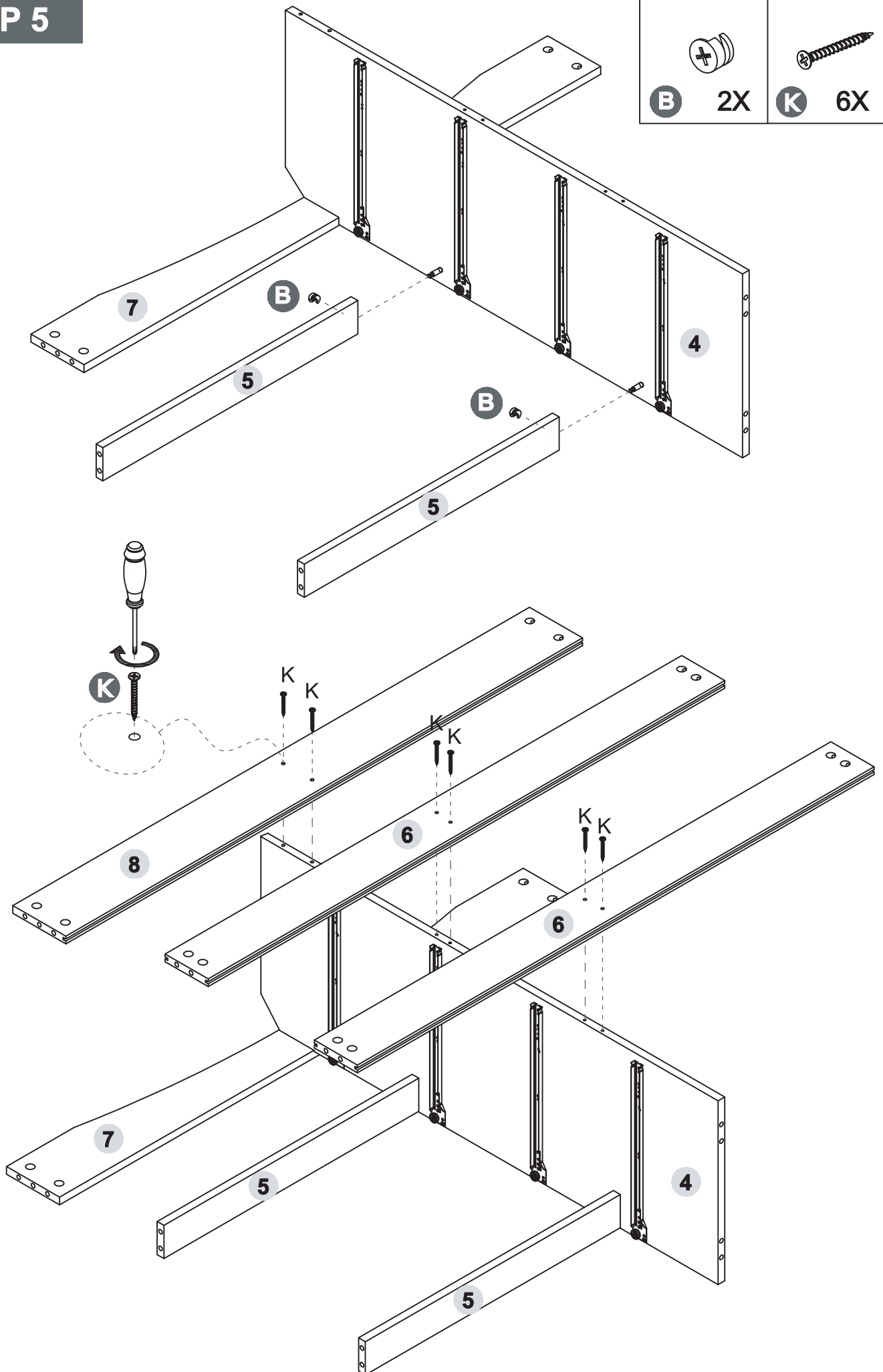
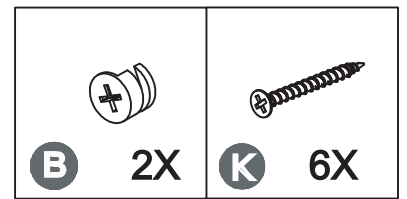


# STEP 4

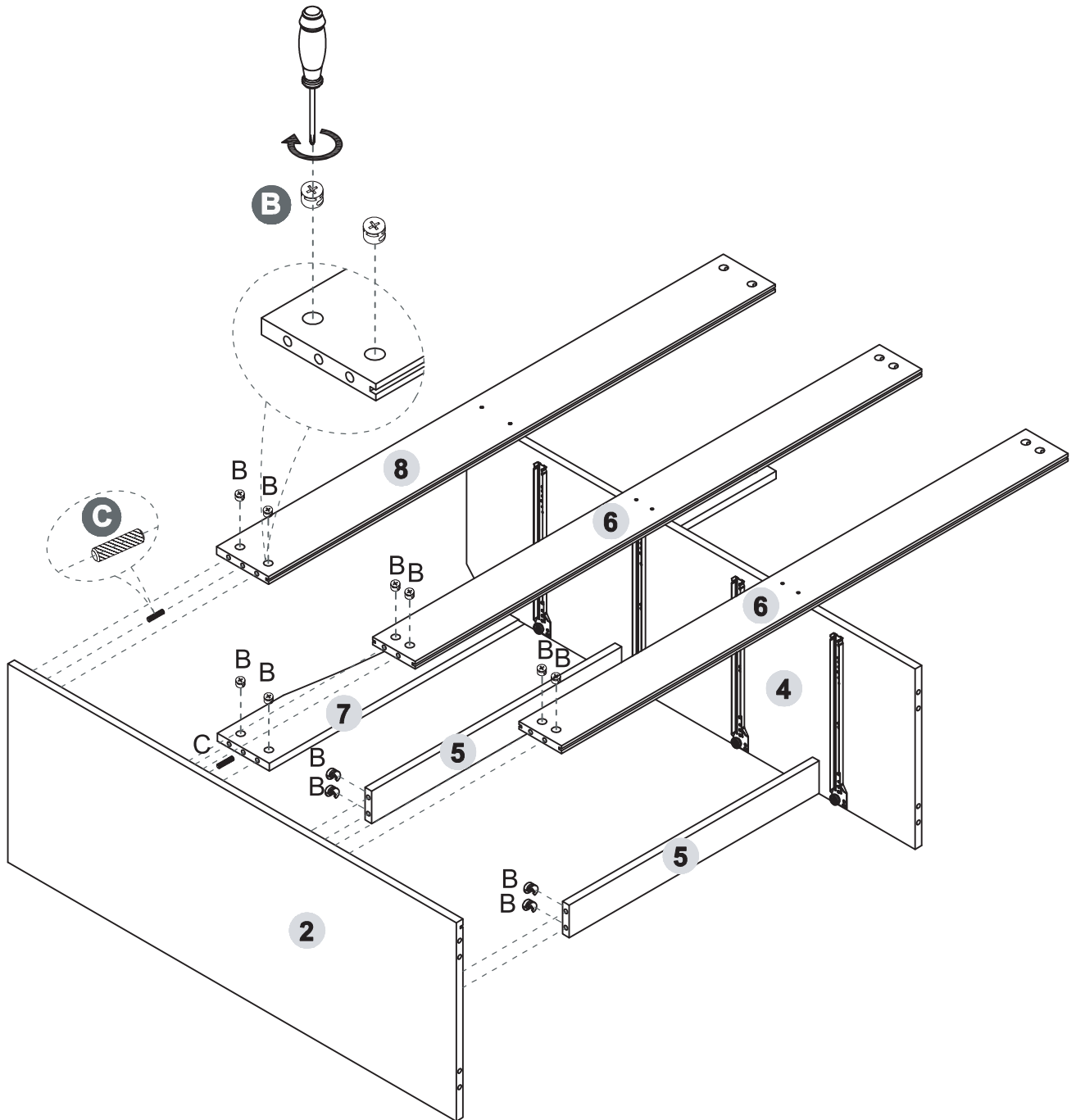
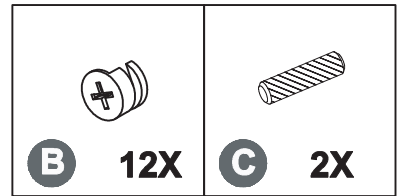
|   |   |
|---|---|
|  |  |
| <b>A</b> 2X   | <b>B</b> 2X   |



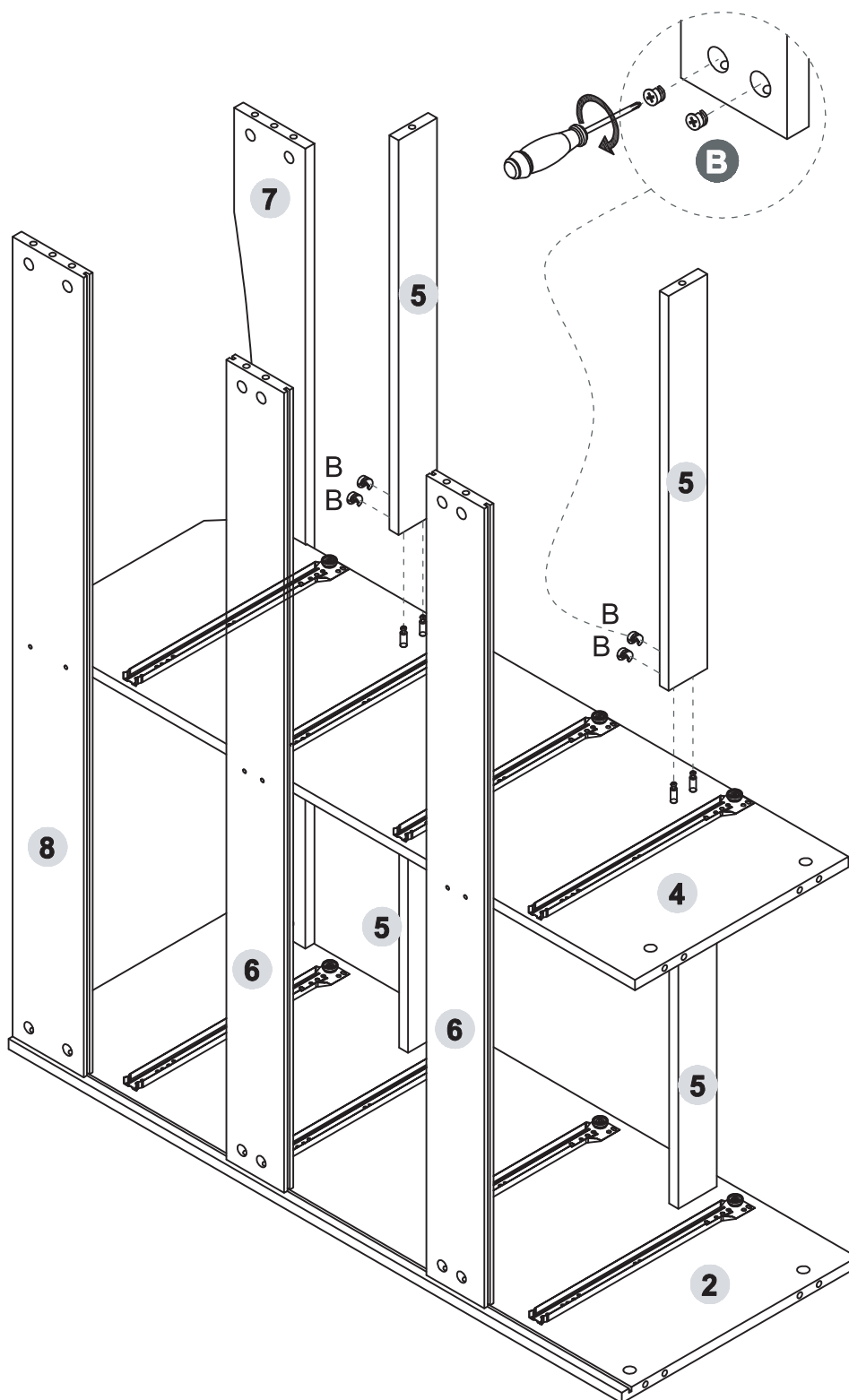
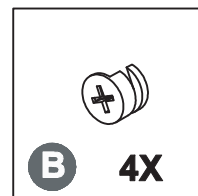
# STEP 5



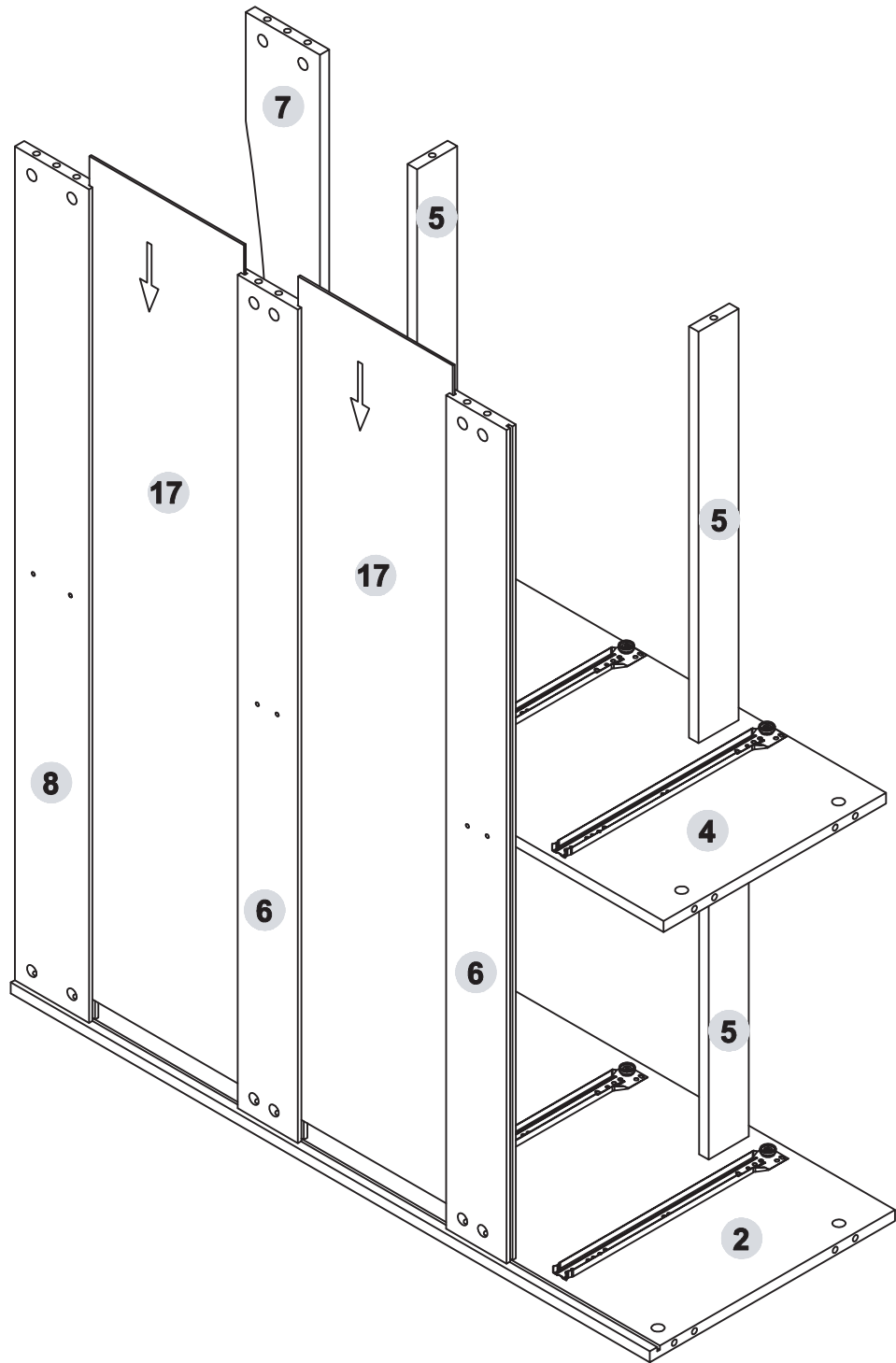
# STEP 6



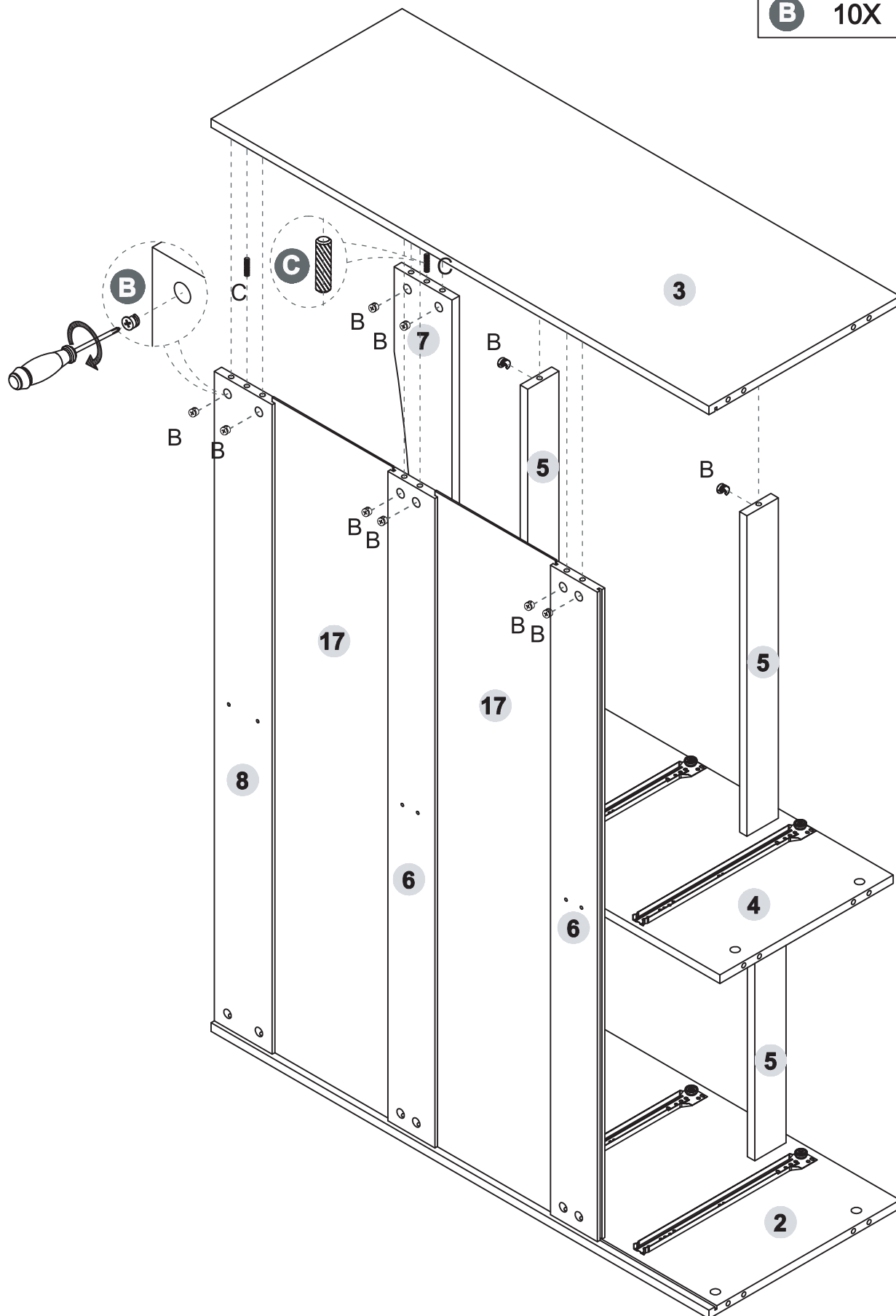
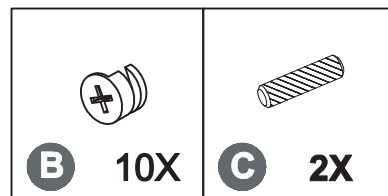
# STEP 7



# STEP 8





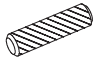
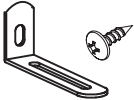
# STEP 9

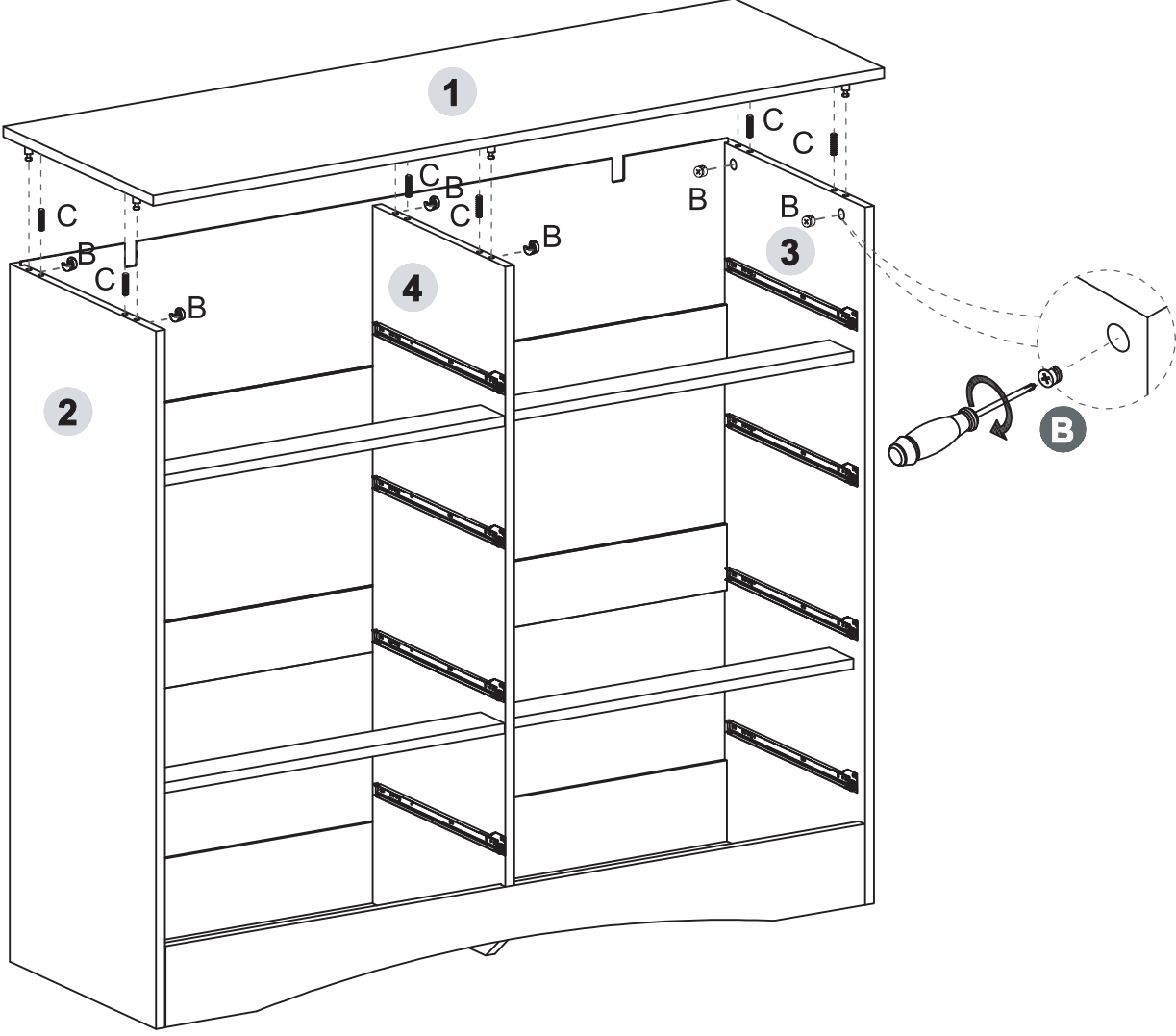
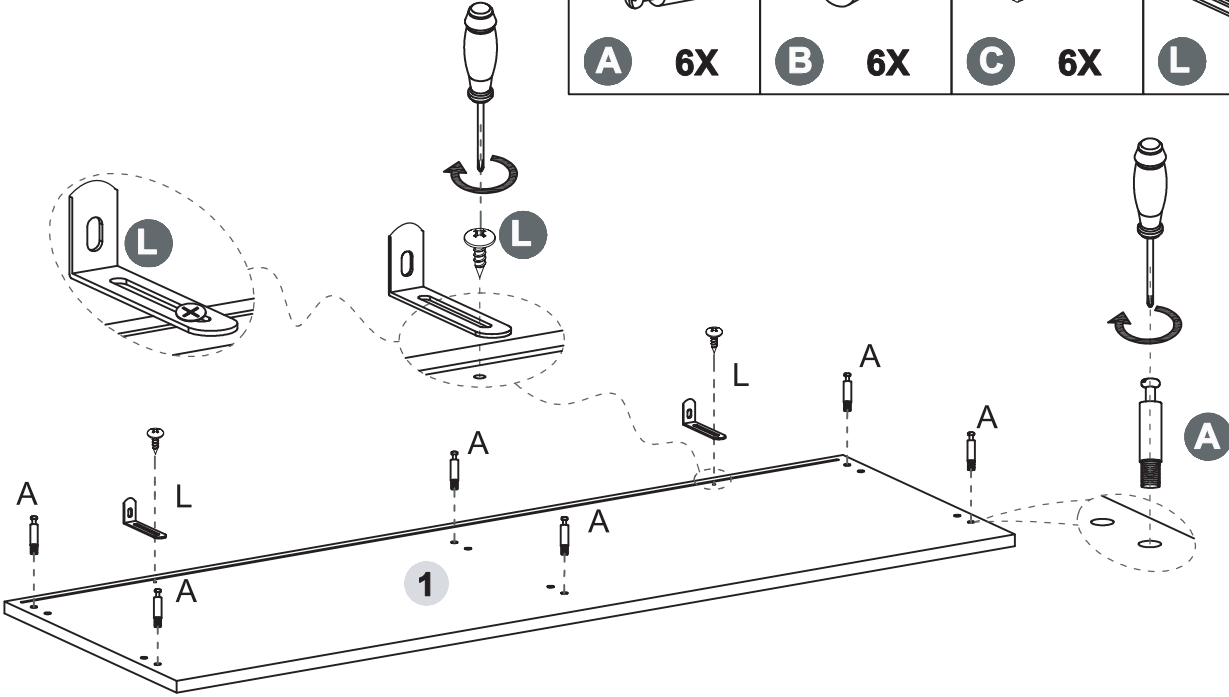


# STEP 10

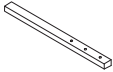
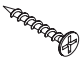


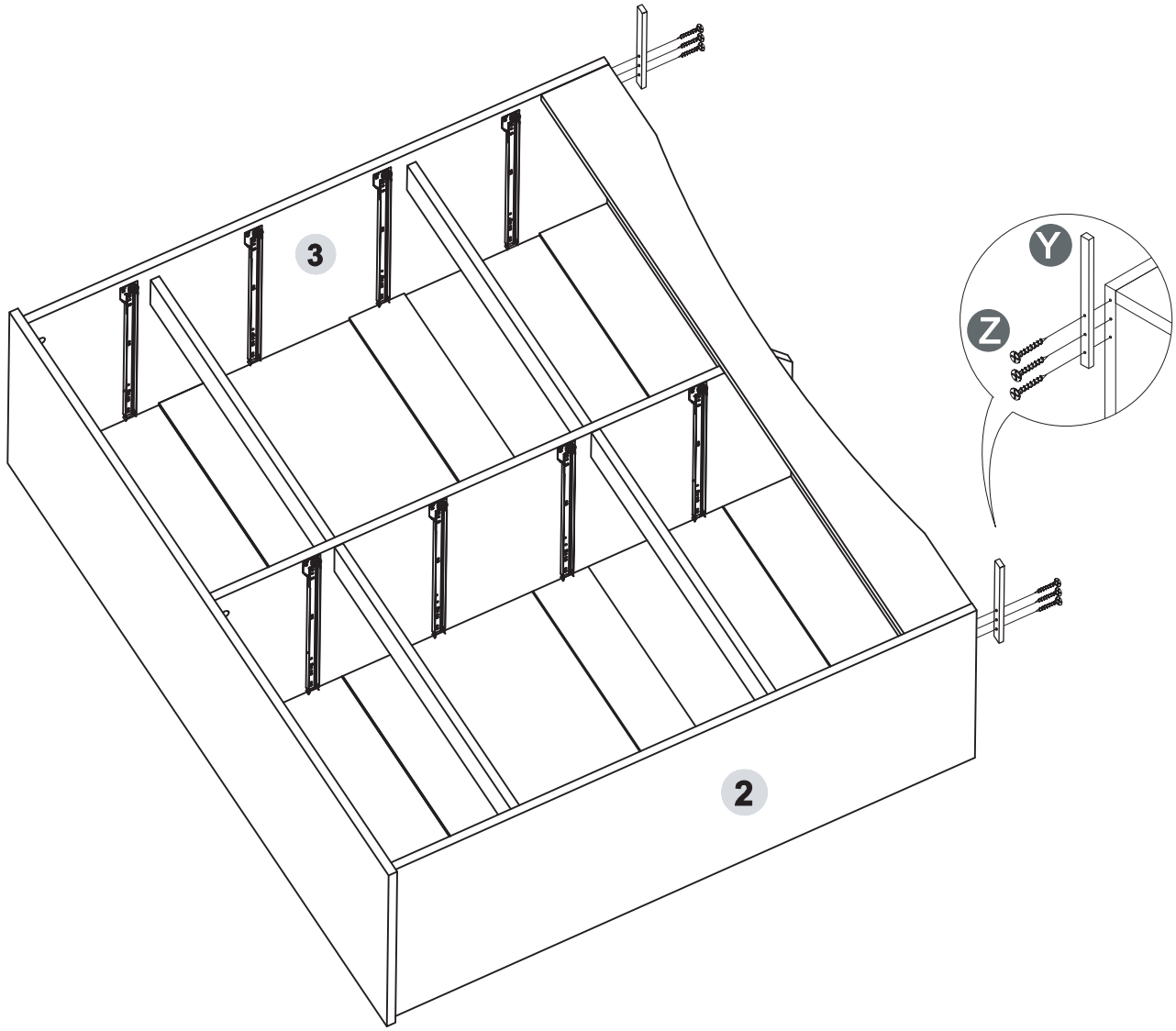
# STEP 11

|   |   |   |   |
|---|---|---|---|
|  |  |  |  |
| <b>A</b> 6X   | <b>B</b> 6X   | <b>C</b> 6X   | <b>L</b> 2X   |

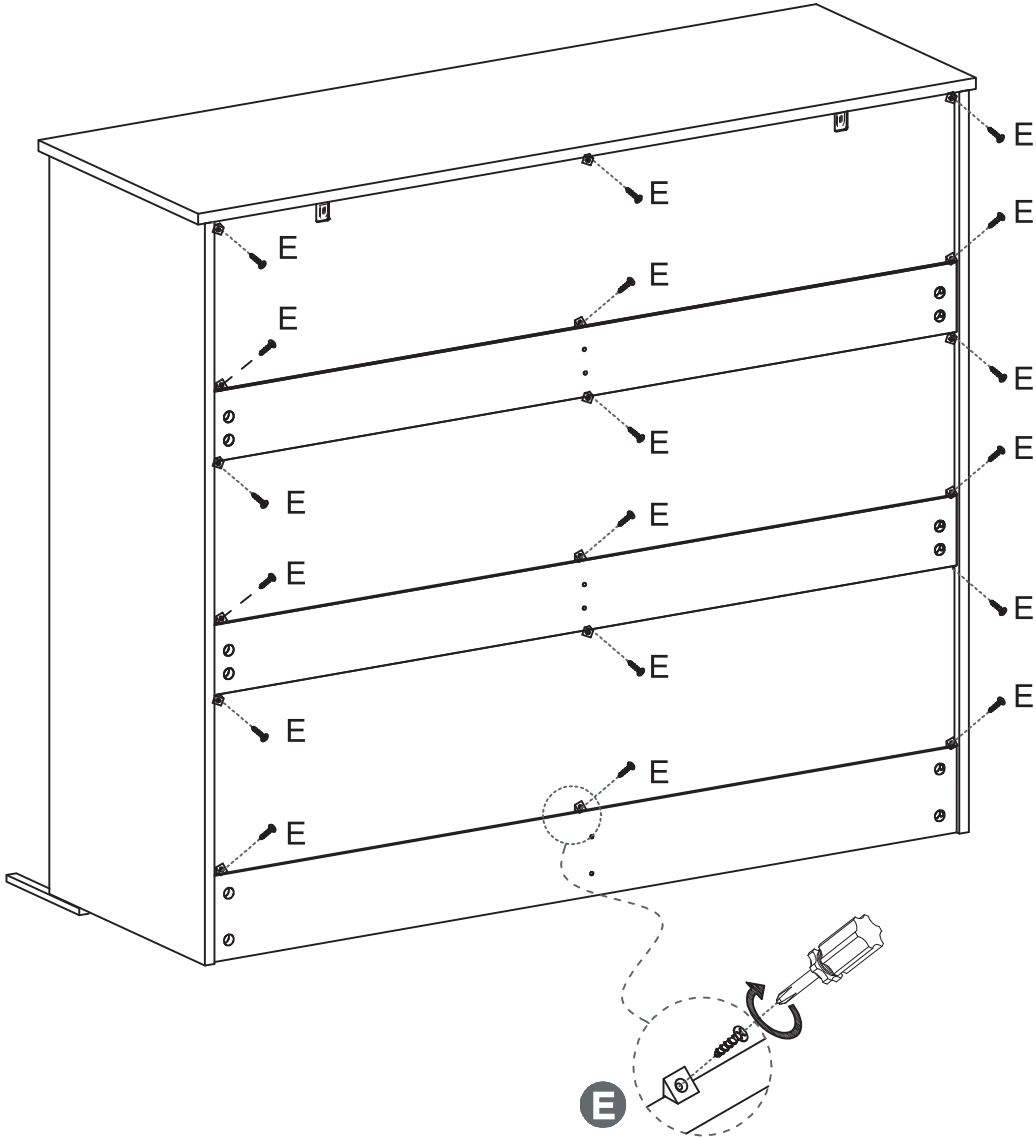
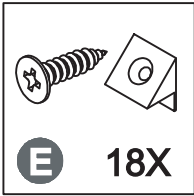


# STEP 12


|   |   |
|---|---|
|  |  |
| <b>Y</b> 2X   | <b>Z</b> 6X   |



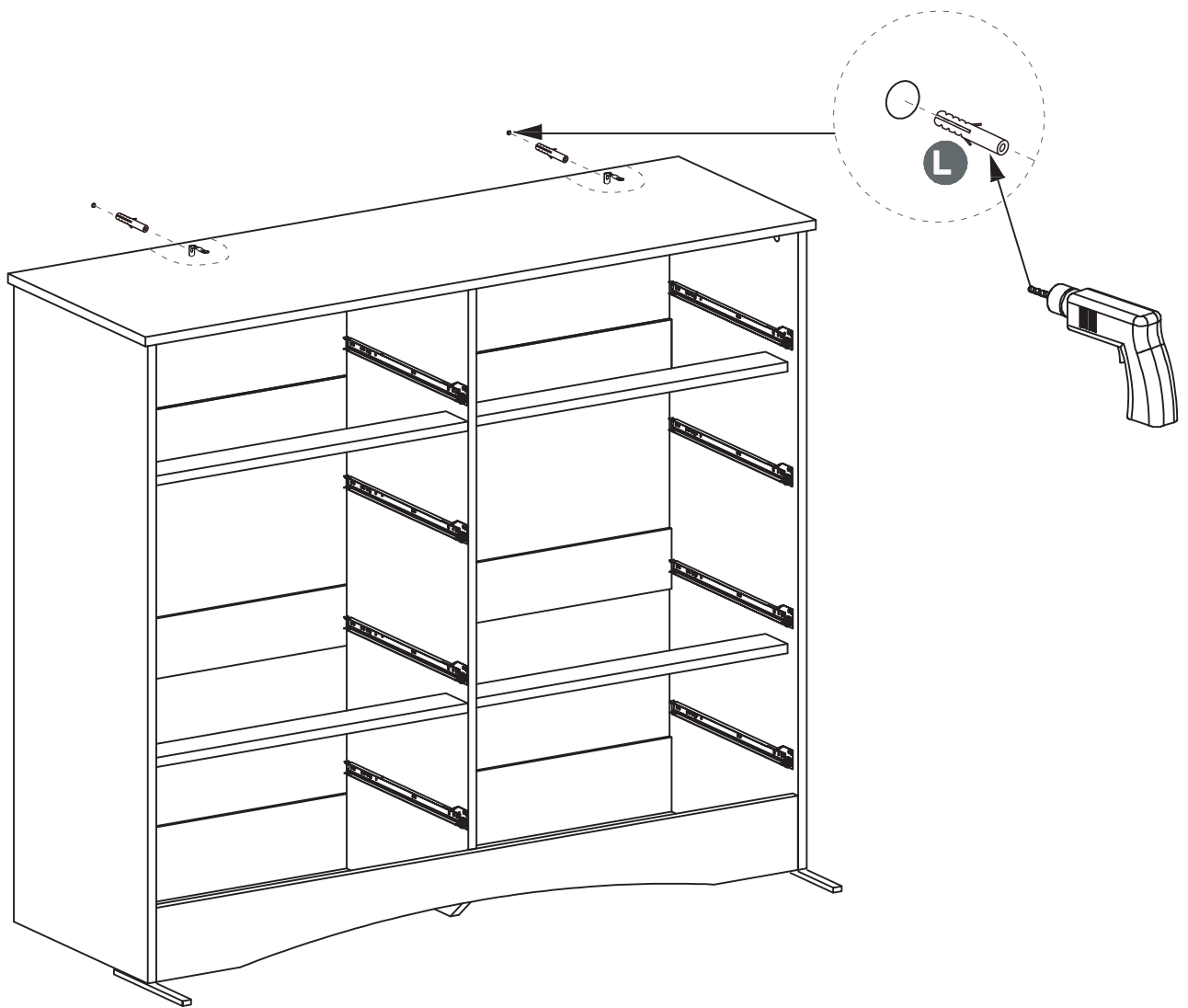
# STEP 13



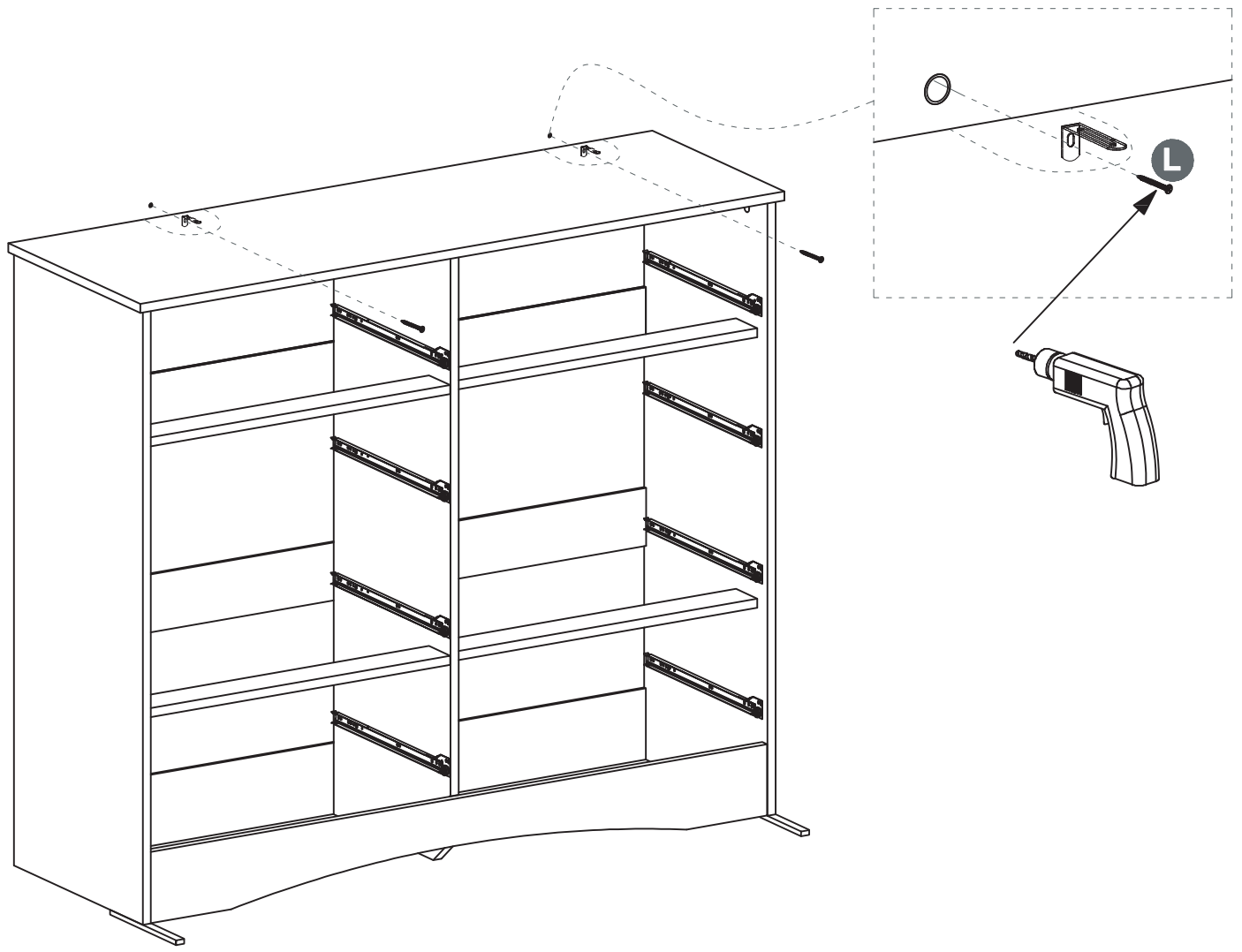
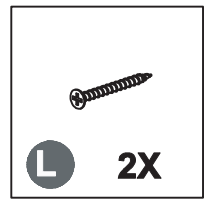
# STEP 14



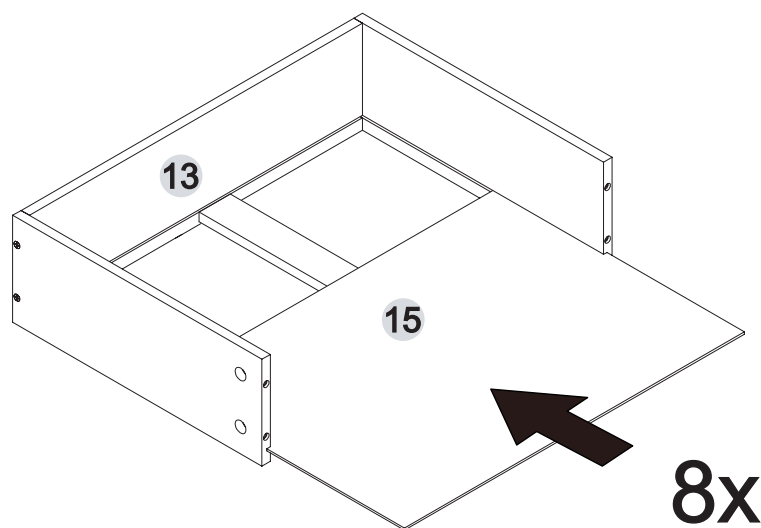
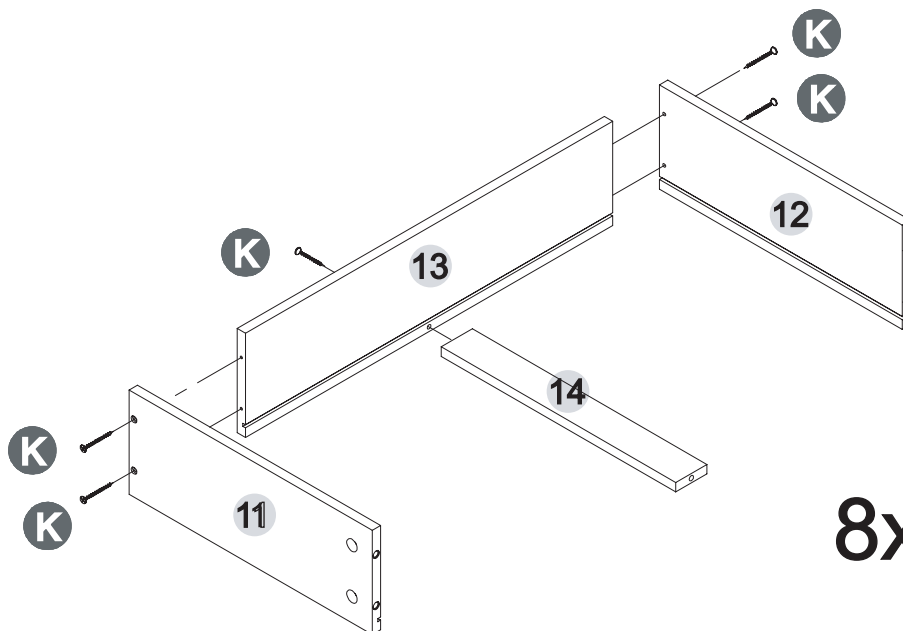
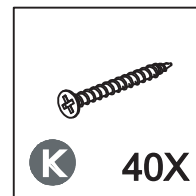
**L 2X**



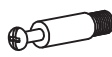

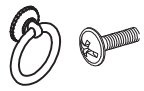
# STEP 15

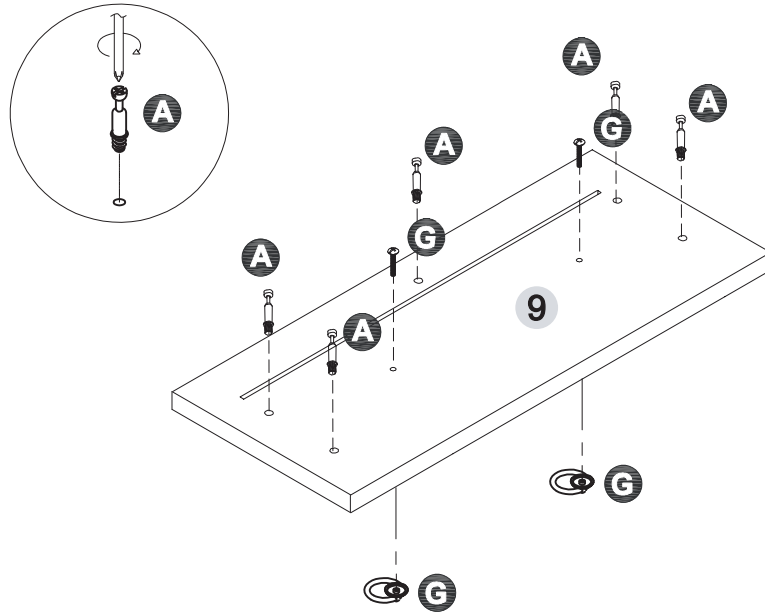


# STEP 16

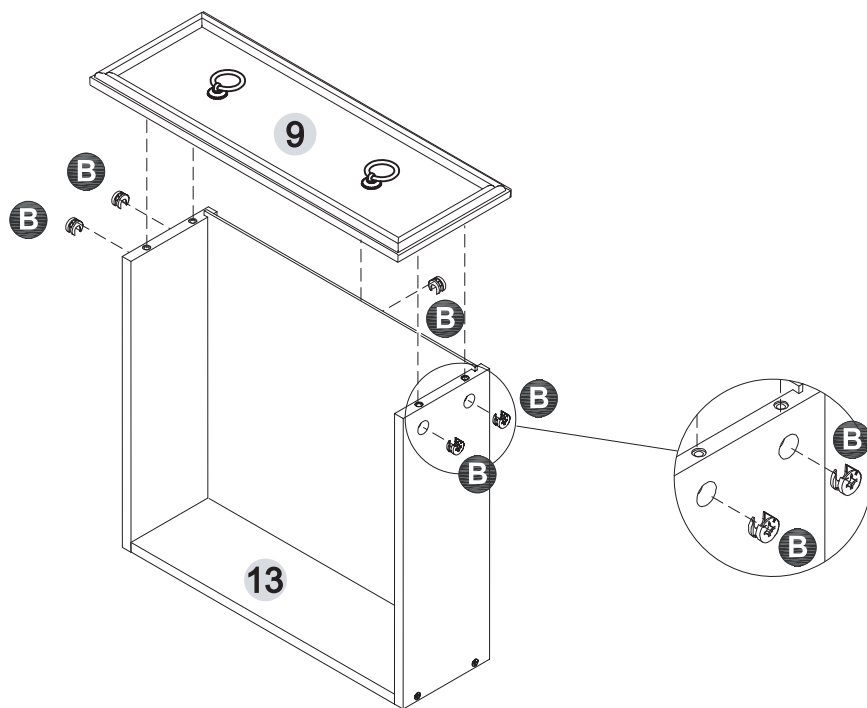


# STEP 17

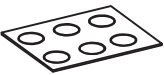

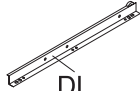
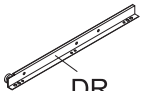
|  |   |   |
|--|---|---|
| <br><b>A</b> 40X | <br><b>B</b> 40X | <br><b>G</b> 16X |
|--|---|---|

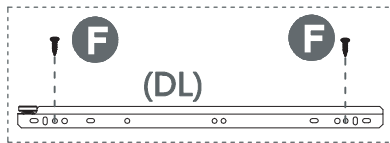
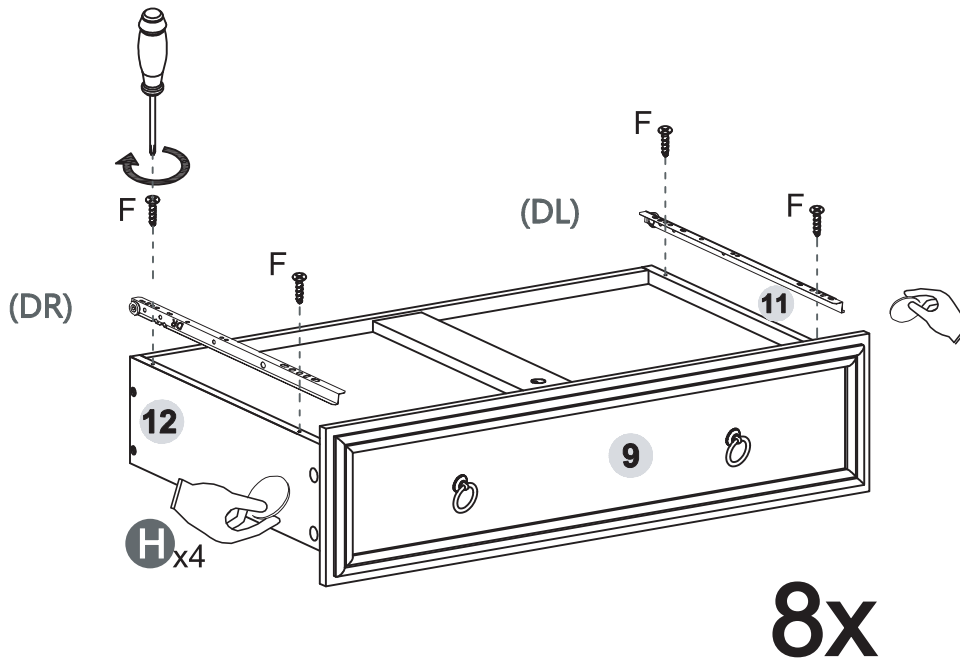


8x

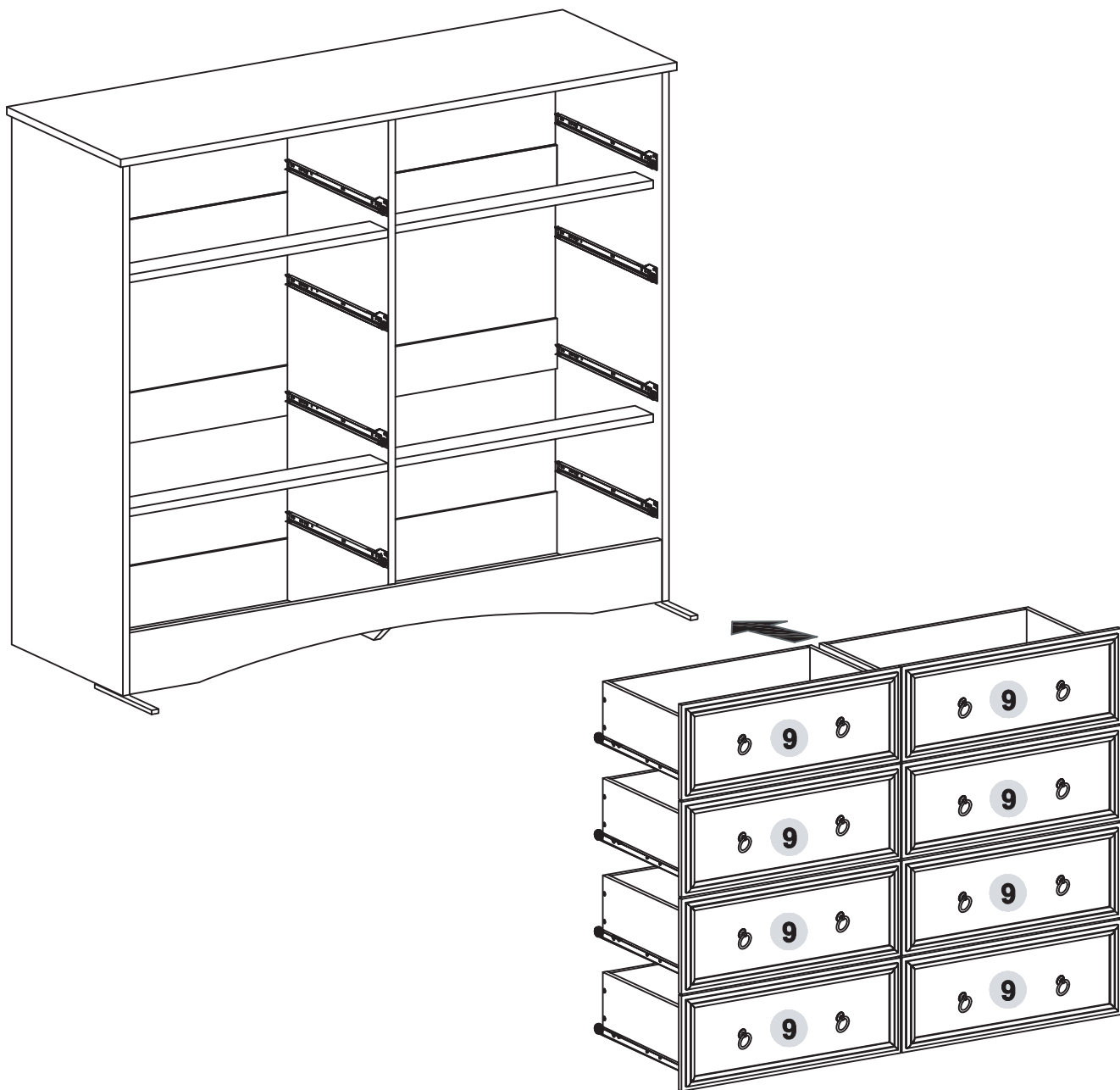


# STEP 18

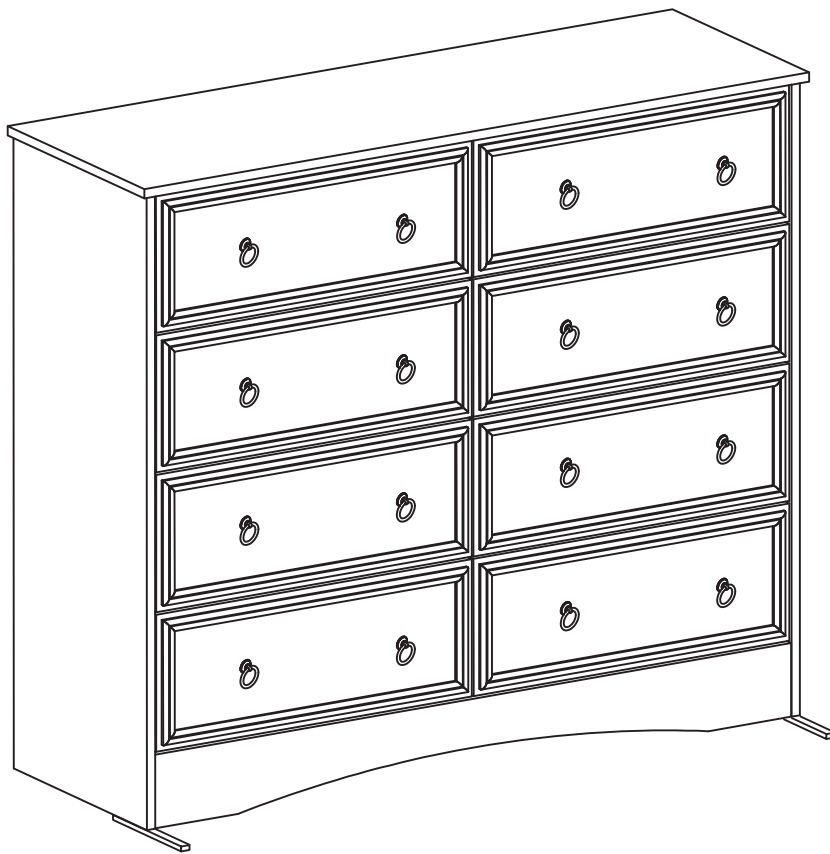
|   |  |   |   |
|---|--|---|---|
|  |  |  |  |
| <b>H</b> 32X  | <b>F</b> 32X   | <b>DL</b> 8X  | <b>DR</b> 8X  |



# STEP 19



**STEP 20**



**Congratulations on doing it.**