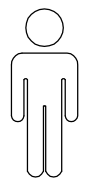
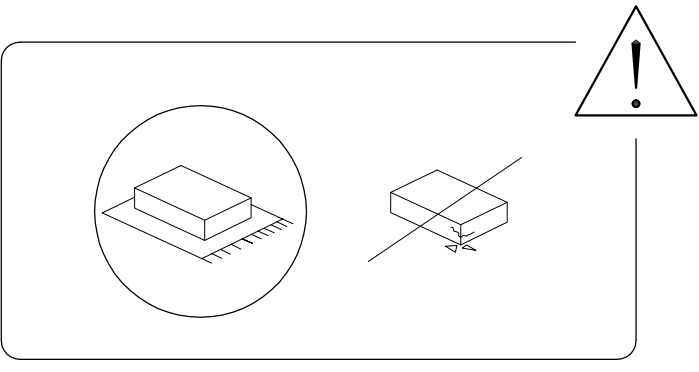

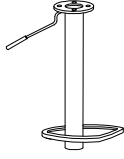


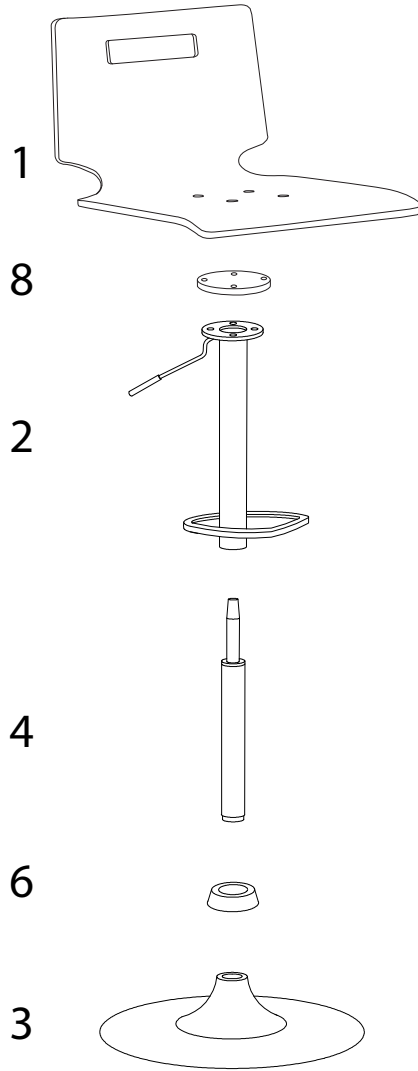


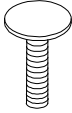
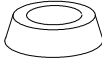
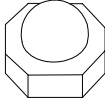

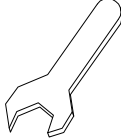
15'



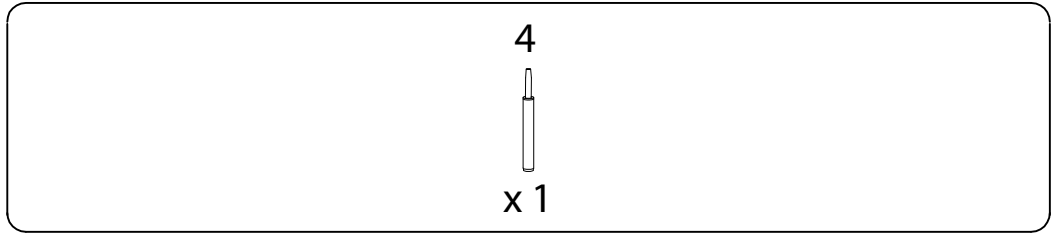
1

<p>1</p>  <p>x 1</p>	<p>2</p>  <p>x 1</p>	<p>3</p>  <p>x 1</p>	<p>4</p>  <p>x 1</p>
---	---	--	---

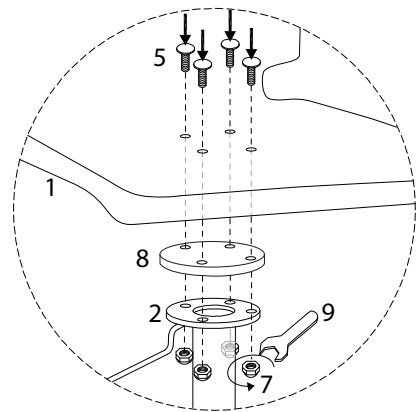
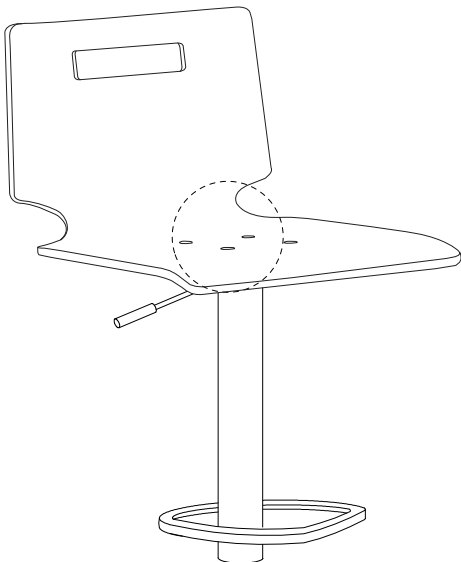
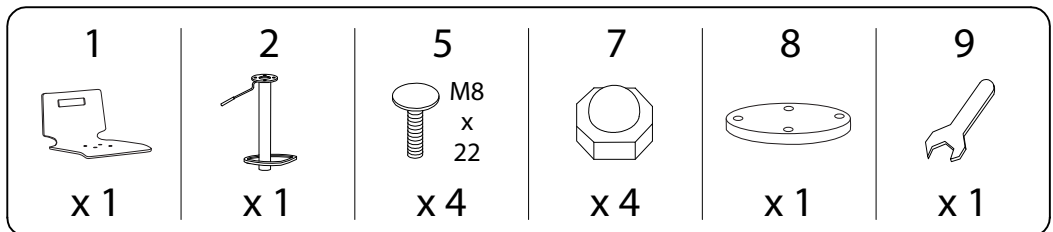


<p>5</p>  <p>M8 x 22</p> <p>x 4</p>	<p>6</p>  <p>x 1</p>	<p>7</p>  <p>x 4</p>	<p>8</p>  <p>x 1</p>	<p>9</p>  <p>x 1</p>
--	---	---	--	---

1



2



3

