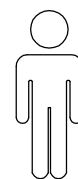
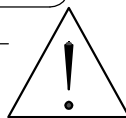
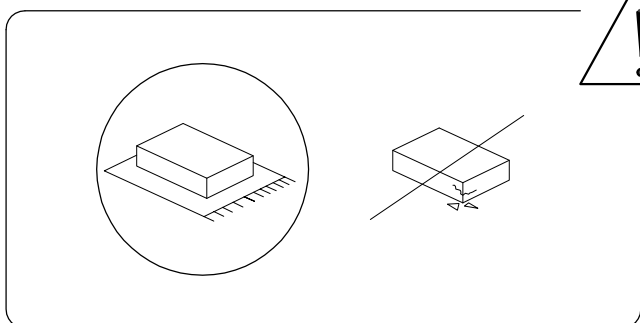

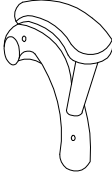

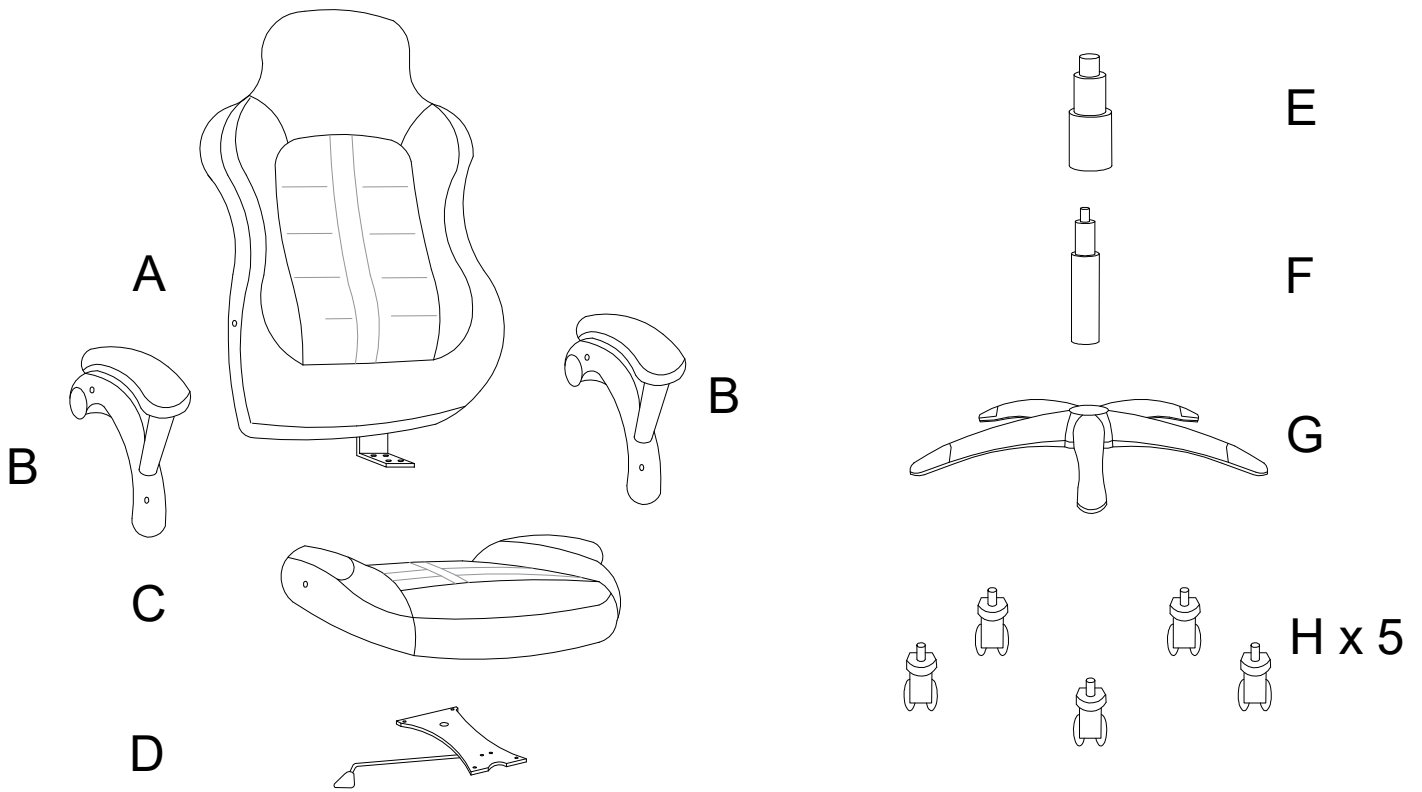


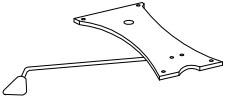
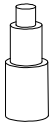

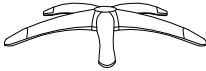


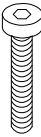
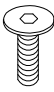
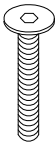
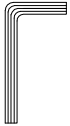
30'



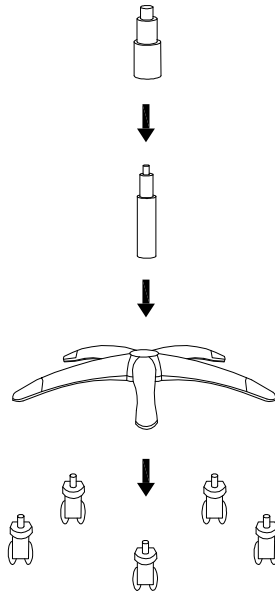
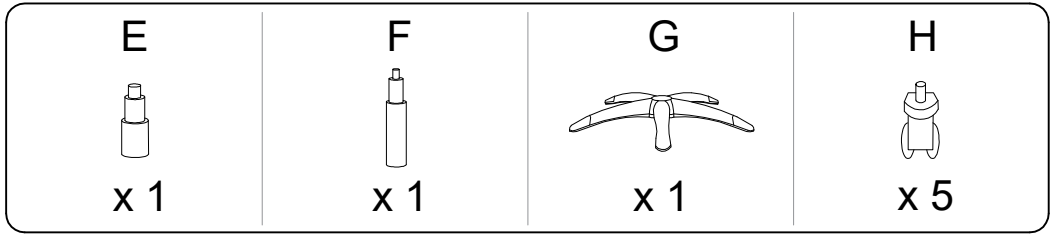
1

A  x 1	B  x 2	C  x 1
---	---	---

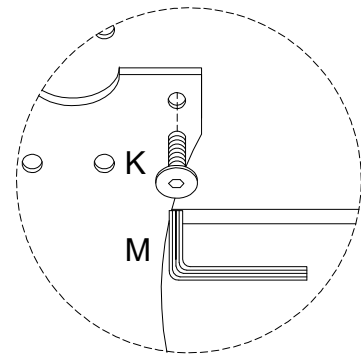
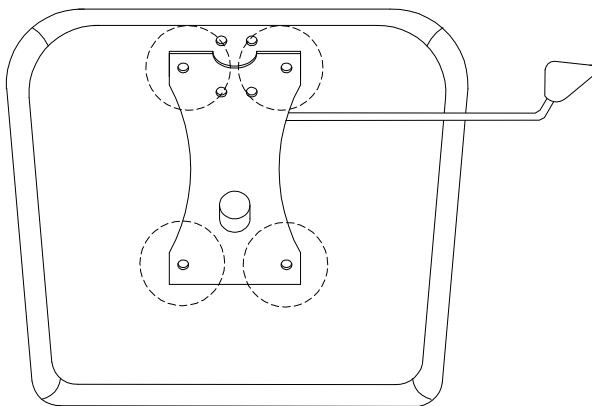
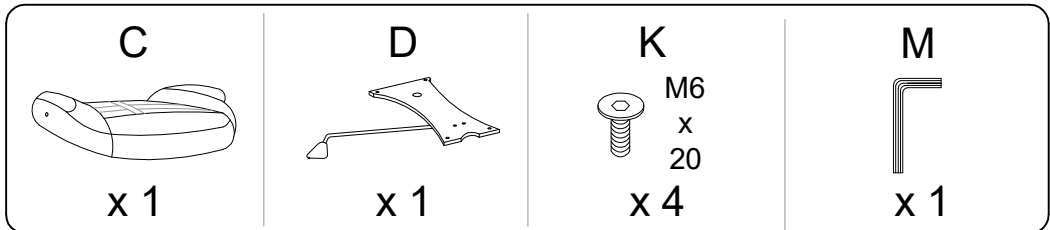


D  x 1	E  x 1	F  x 1	G  x 1	H  x 5
I  x 4	J  M8 x 30 x 4	K  M6 x 20 x 4	L  M6 x 25 x 4	M  x 1

1



2



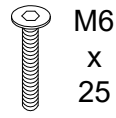
3

A



x 1

L

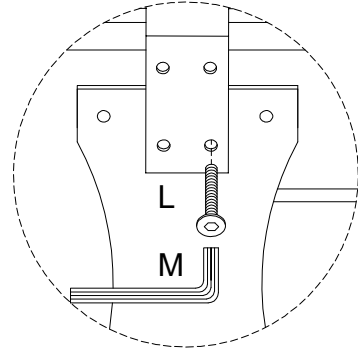
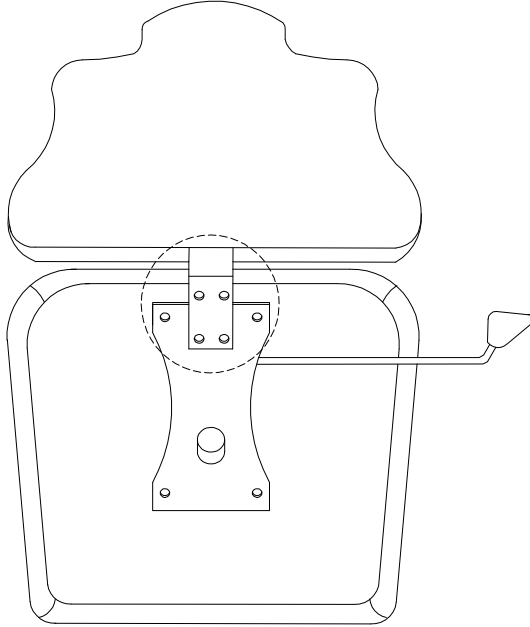


x 4

M



x 1



4

B



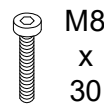
x 2

I



x 4

J

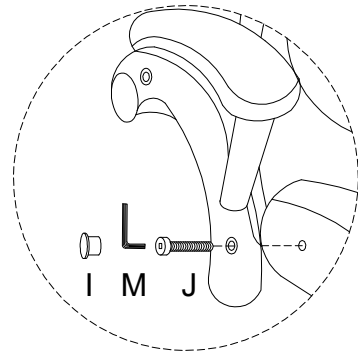


x 4

M



x 1



5

