

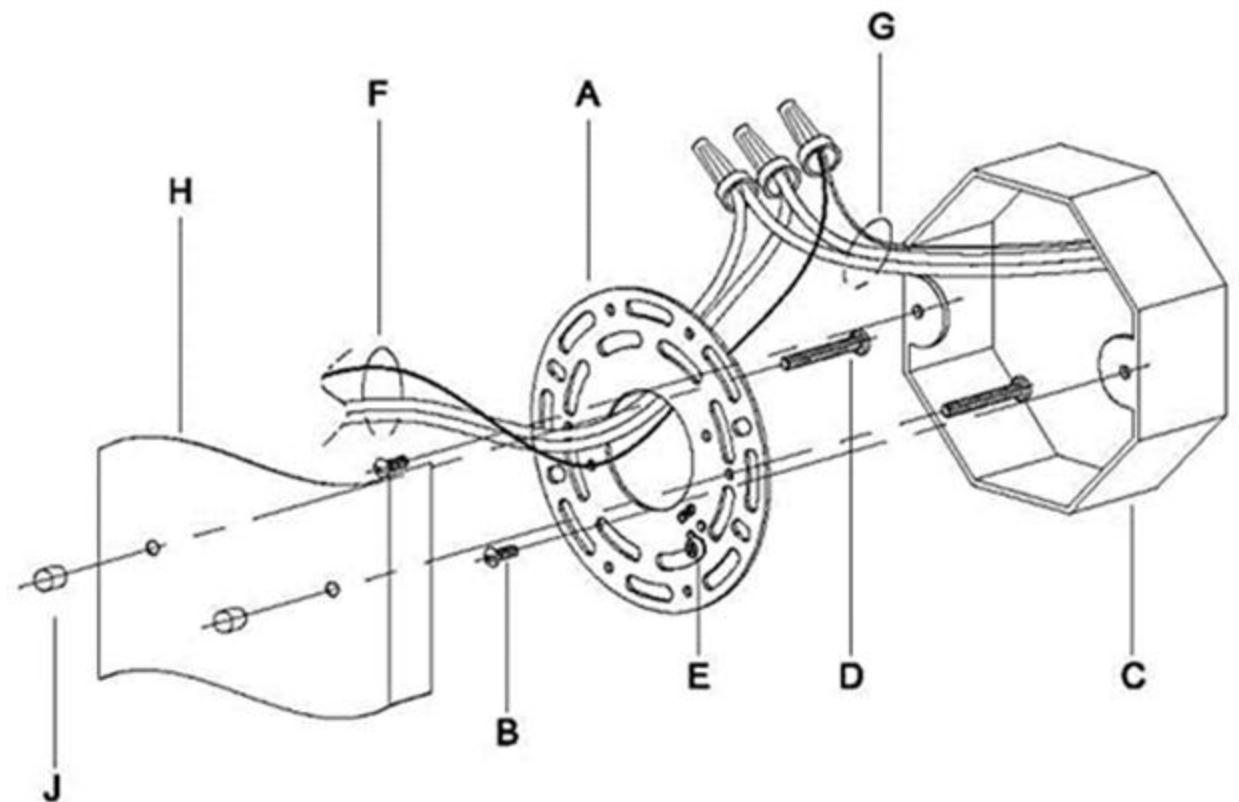
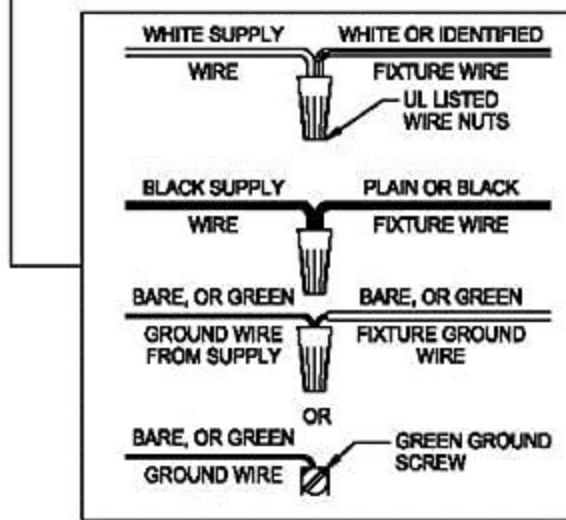
Assembly & Installation Instructions

CAUTION: Read instructions carefully and turn electricity off at main circuit breaker panel before beginning installation.

6 - Light Pendant

CANOPY MOUNTING & WIRE CONNECTION ASSEMBLY STEPS:

1. D,E → A
2. K → D
3. B,A → C
4. F → G
5. H,J → D



FIXTURE ASSEMBLY STEPS:

Install the E26 bulb after attaching the chassis to the wall



E26 Bulb

Bulb not Included

1. One end of the main rod is fixed on the lamp body and the other end is fixed on the bottom box

2. Fix the lamp shade on the lamp cap as shown

3. After power failure, the lamp body on the wire and the main line connected, black line for positive, white line for negative

