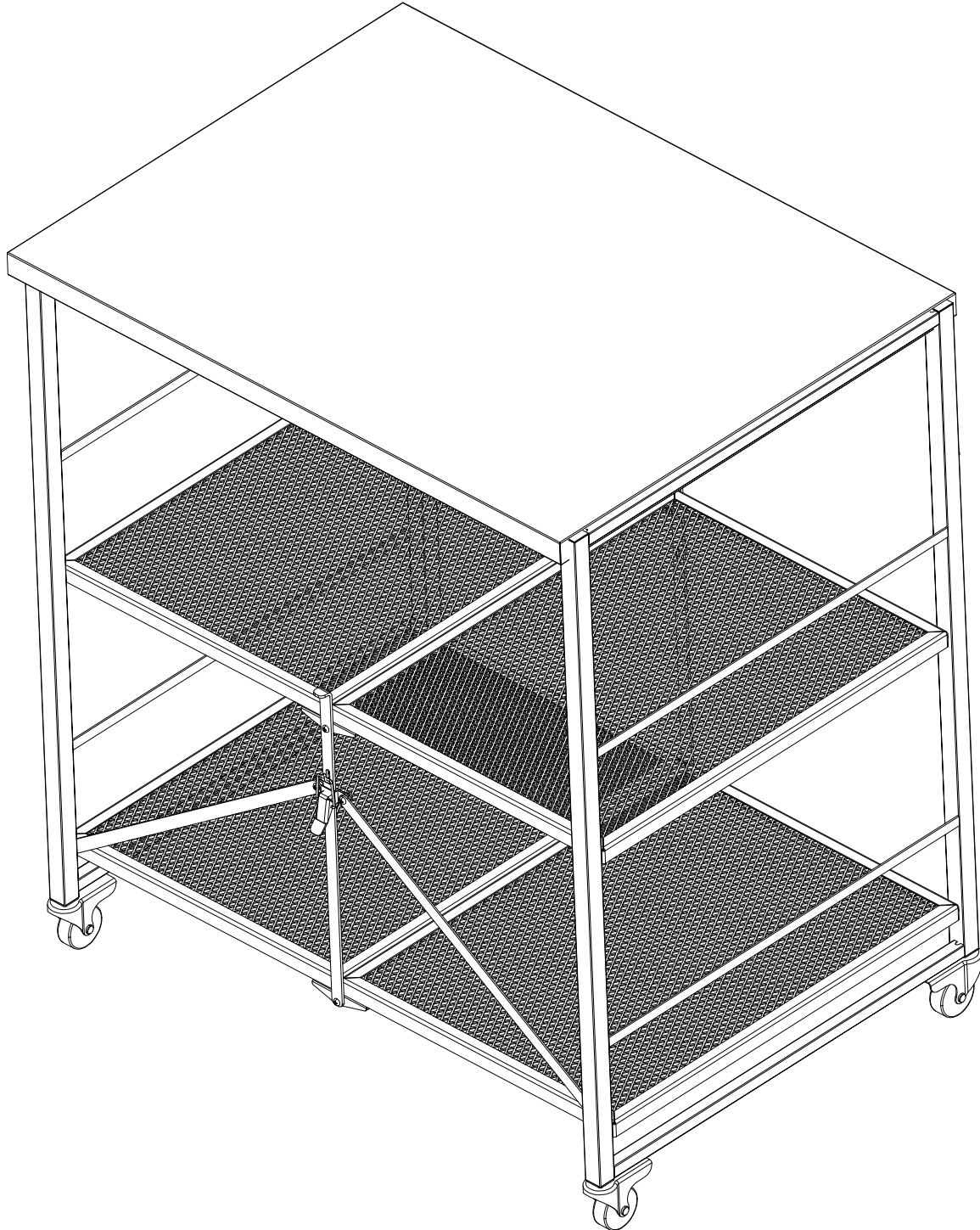


ASSEMBLY INSTRUCTIONS

Stainless Steel Folding Cart



Thanks for choosing our product. Please kindly check parts listed below and read this manual carefully, then assemble them step by step. Please feel free to contact us for any questions. Retain instructions for future reference.

ATTENTION

Please read the following safety instructions carefully before using this Cart:

- ◆ This cart has a maximum load capacity of 45 pounds per floor.
- ◆ Do not allow children to operate or play with the Cart alone.
- ◆ Ensure that all parts of the Cart are fully extended and locked before use.
- ◆ Pay attention to the terrain and avoid using the Cart on steep slopes or uneven roads.
- ◆ Keep the Cart away from high temperatures and open flames.
- ◆ If any parts are damaged or worn, replace them promptly or contact customer service.

ABOUT ASSEMBLY

1. Folding and Unfolding

Unfolding Steps:

- ◆ Release the folding lock mechanism.
- ◆ Unfold the Cart until you hear a "click," indicating it is fully extended and locked.
- ◆ Securely fasten the locking mechanism and cover the tabletop

Folding Steps:

- ◆ Remove the tabletop by lifting it gently from its base, ensuring to handle it carefully to avoid any damage
- ◆ Press the folding lock mechanism to unlock the Cart.
- ◆ Hold the push handle and fold the Cart inward until it is fully collapsed.
- ◆ Use the fastening strap to secure the folded Cart for easy carrying.

2. Maintenance and Care

- ◆ Regularly check all parts of the Cart to ensure they are functioning properly.
- ◆ Wipe the Cart surface with a damp cloth; avoid using corrosive cleaners.
- ◆ When storing, keep the Cart dry and avoid prolonged exposure to sunlight.

3. Troubleshooting

- ◆ Cart cannot be unfolded or folded:

Check if the folding lock mechanism is stuck; apply a small amount of lubricant if necessary.

- ◆ Cart makes noise while moving:

Check the tires and bearings for debris; clean them if necessary.

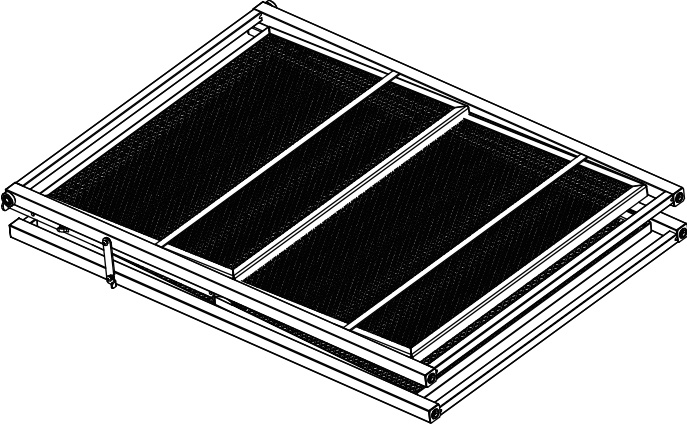
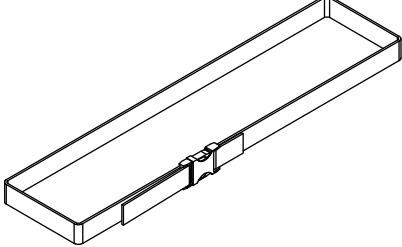
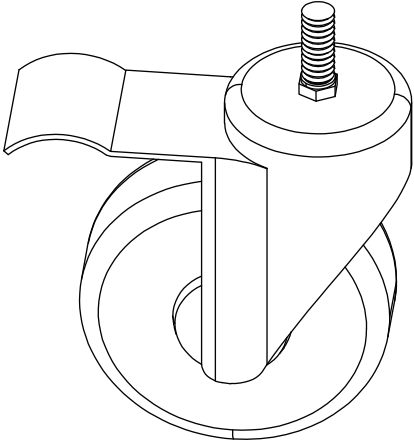
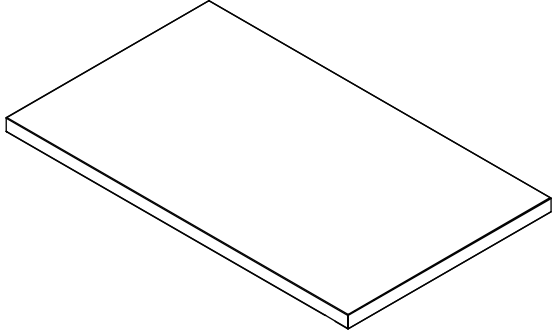
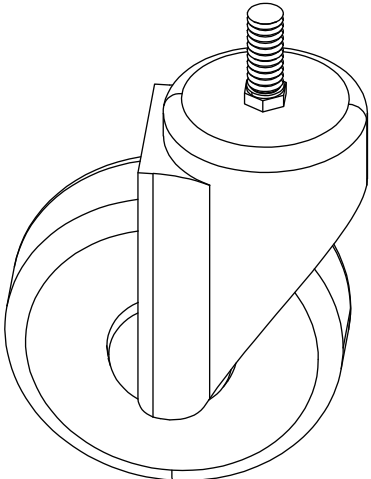
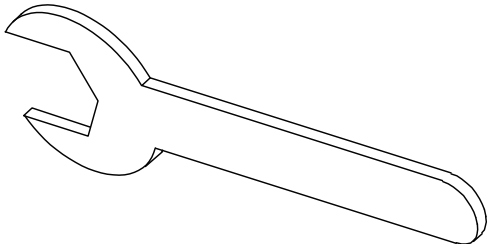
- ◆ Cart is unstable or tilted:

Ensure all parts are fully extended and locked.

4. Warranty

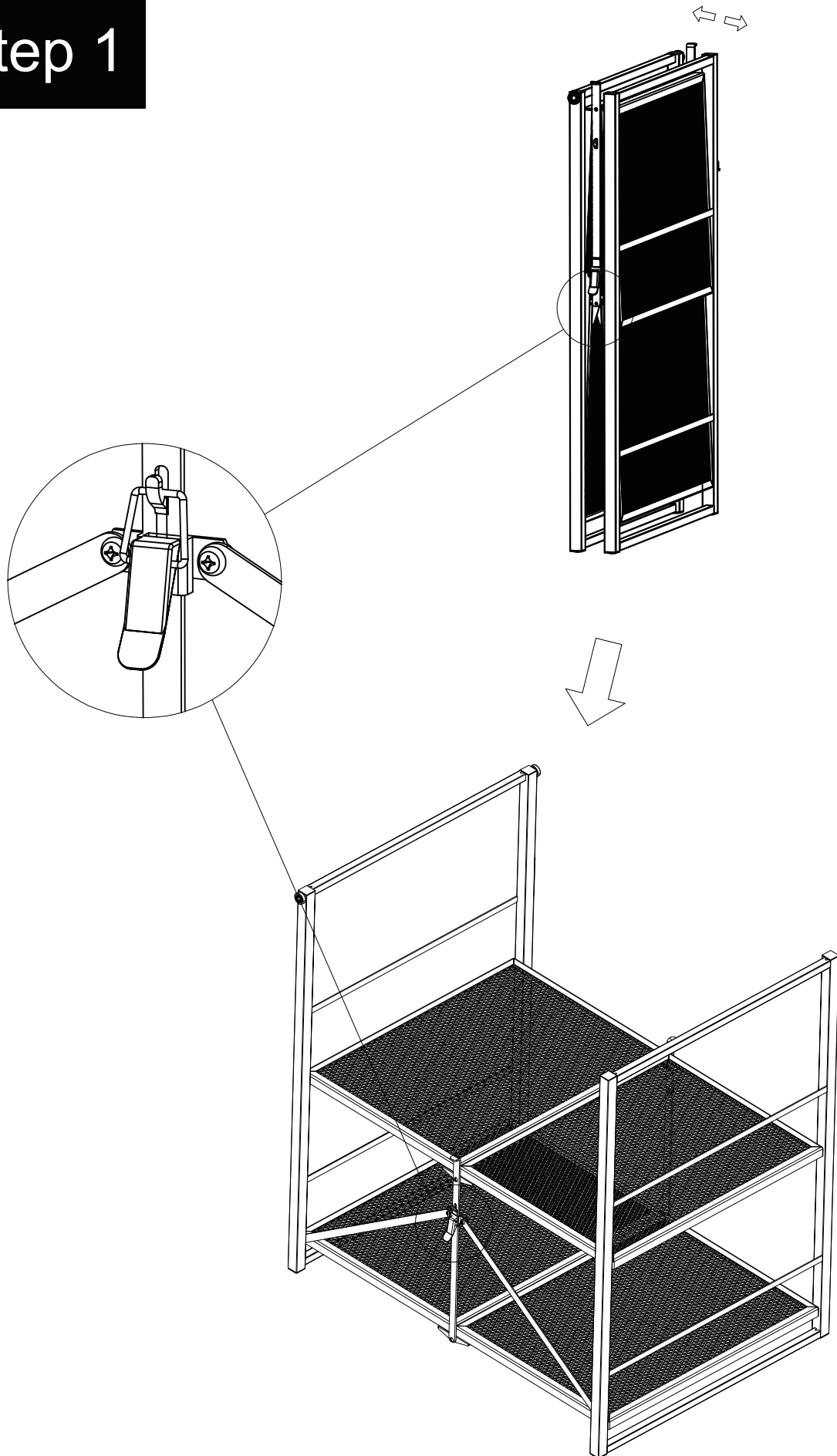
Thanks for purchasing our folding Cart. If you have any questions or need assistance, please contact our customer service center.

PARTS LIST

①	1PC	②	1PC
			
③	2PCS	④	1PC
			
⑤	2PCS	⑥	1PC
			

Assembly Guide

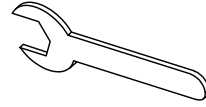
Step 1



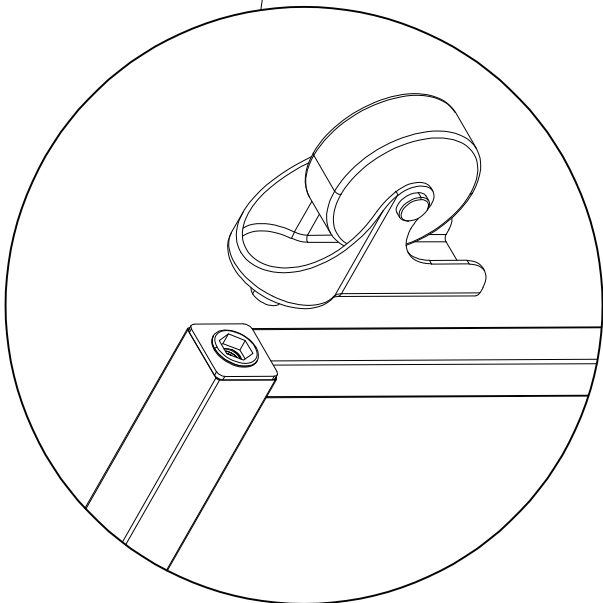
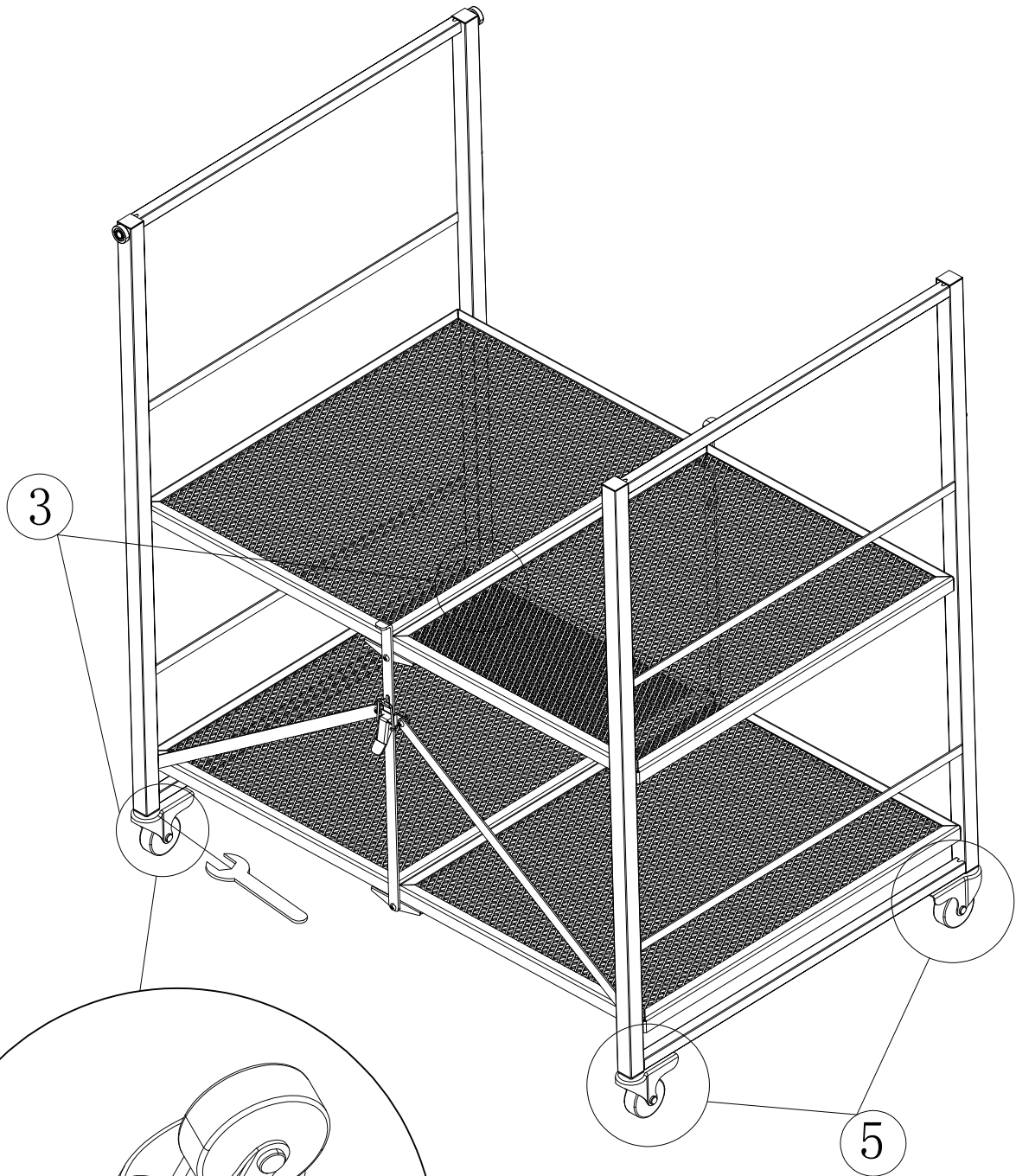
Assembly Guide

Step 2

A



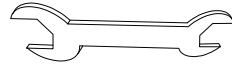
1PC



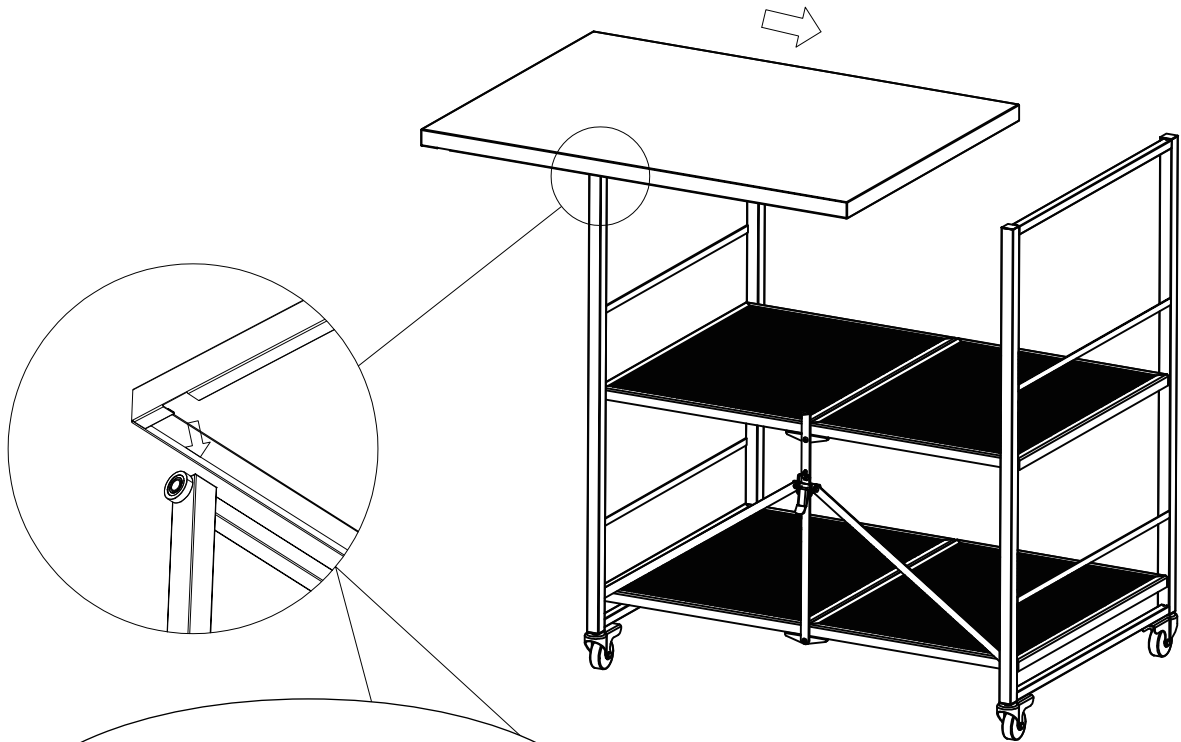
Assembly Guide

Step 3

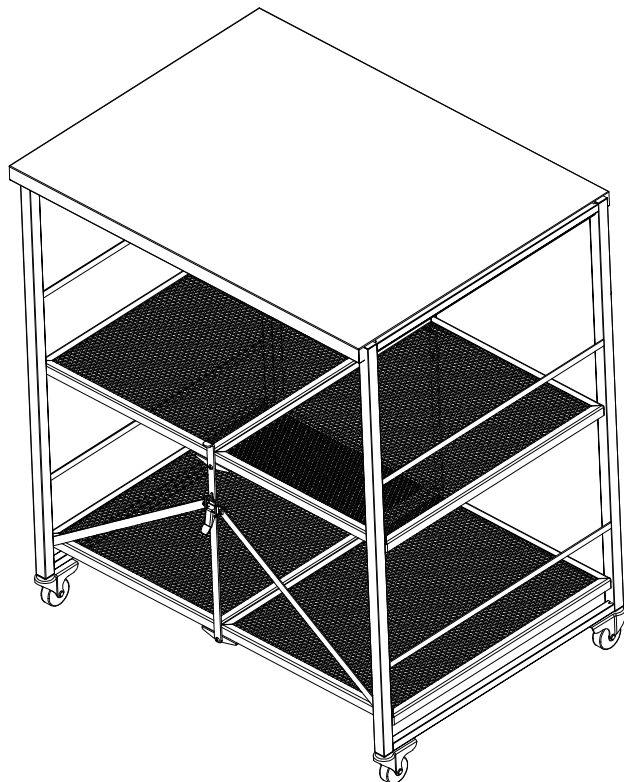
D



1pc



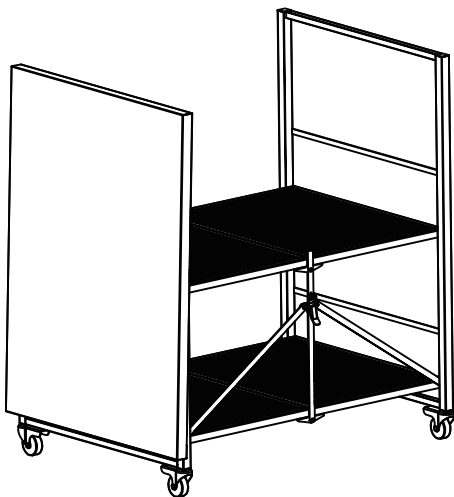
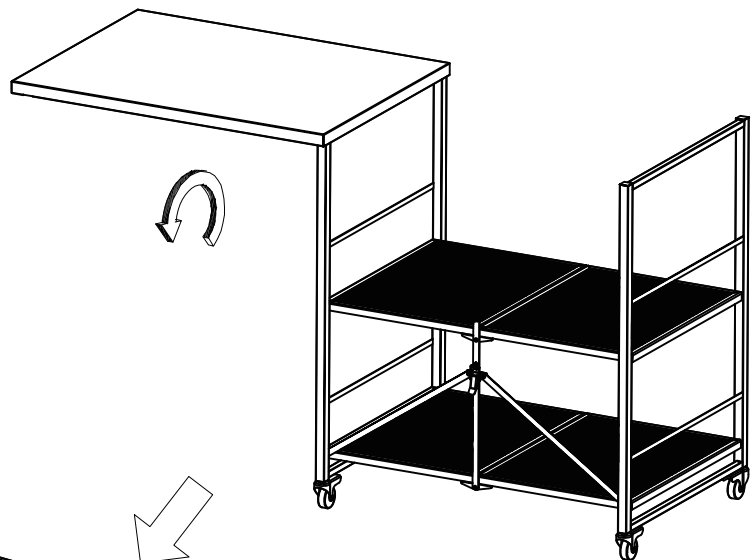
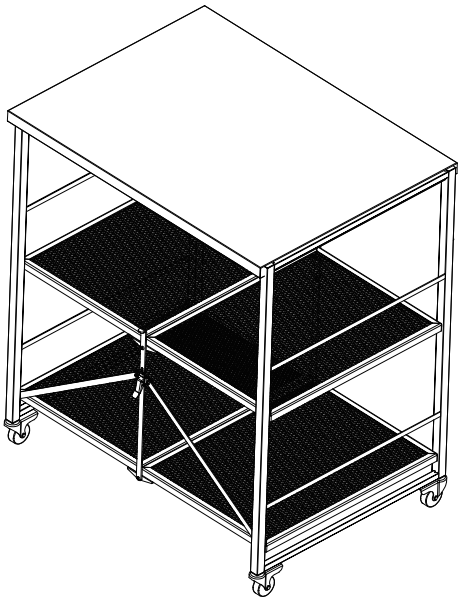
Insert the two wheels of the cart into the slot holes on both sides of the tabletop. Ensure the wheels are securely in the slots, then slowly push the tabletop forward until it locks into place with the cart.



Assembly Guide

Step 4

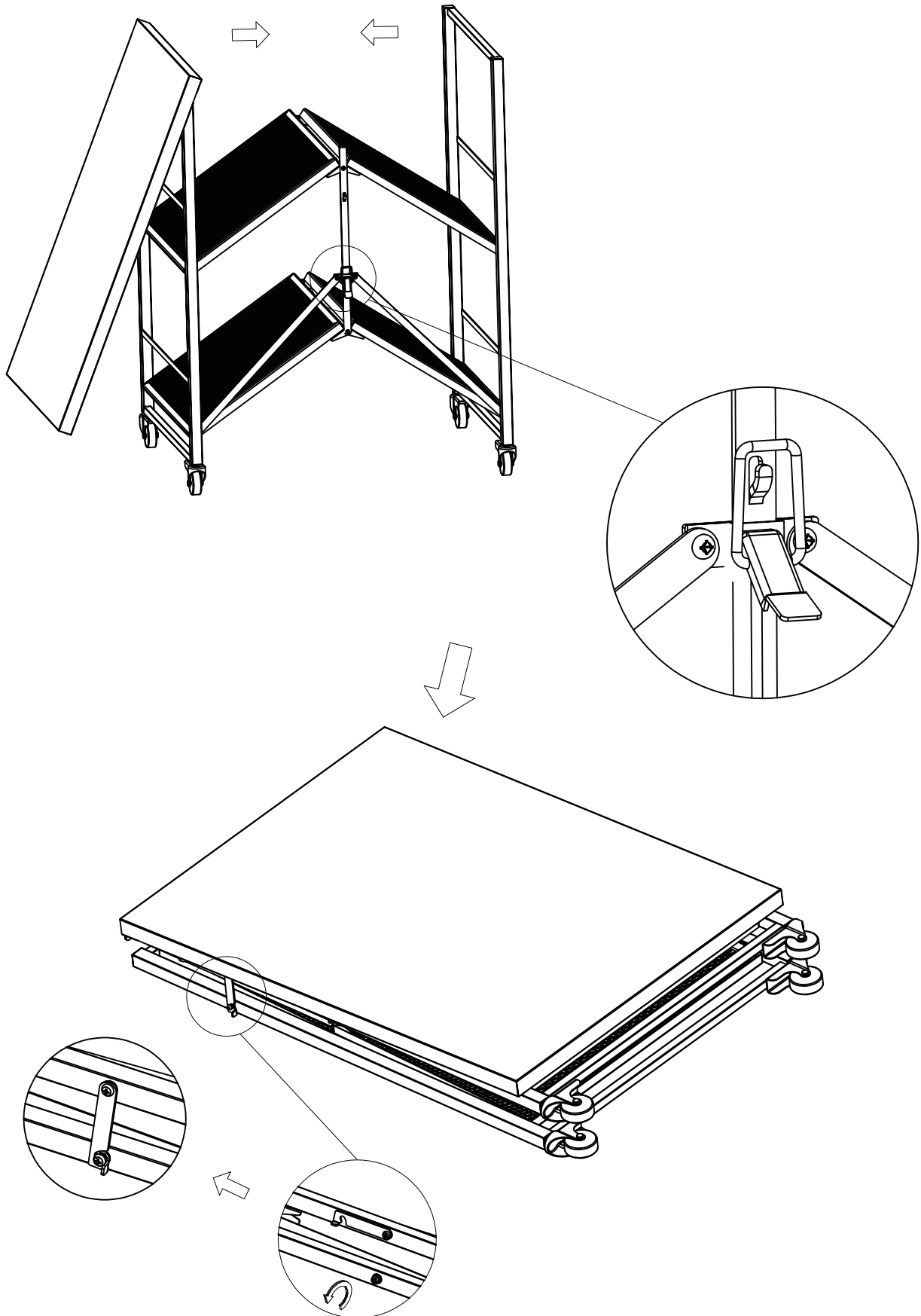
How to fold the cart



Assembly Guide

Step 5

How to fold the cart



Assembly Guide

Step 6

How to fold the cart

