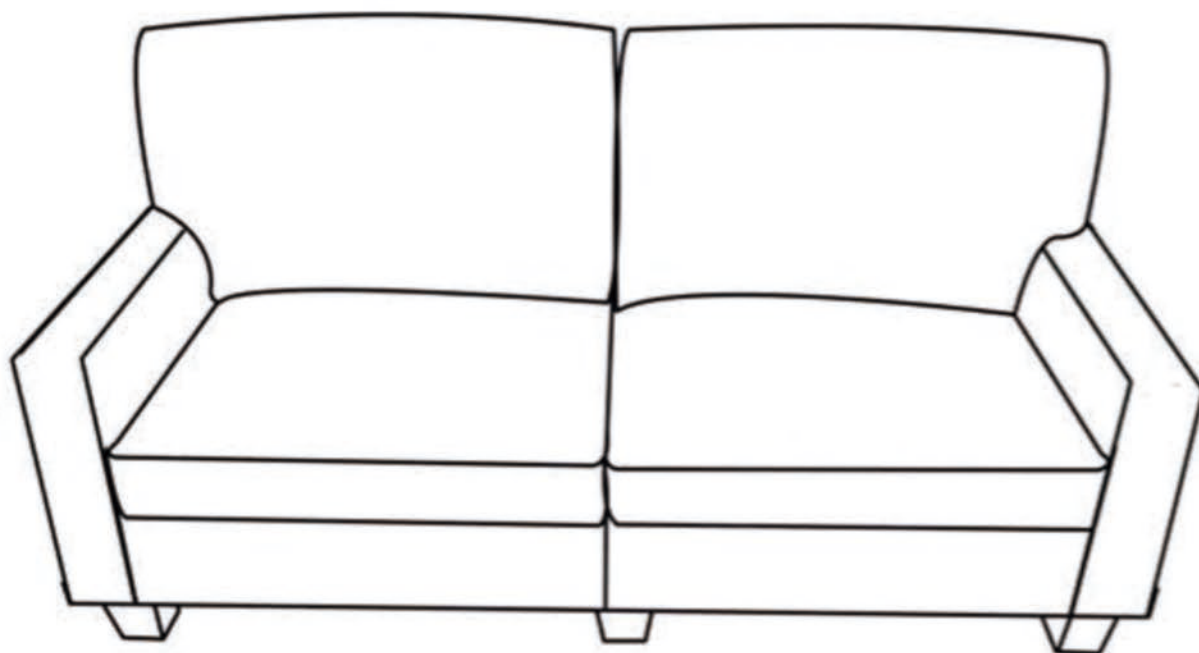


# INSTRUCTION MANUAL

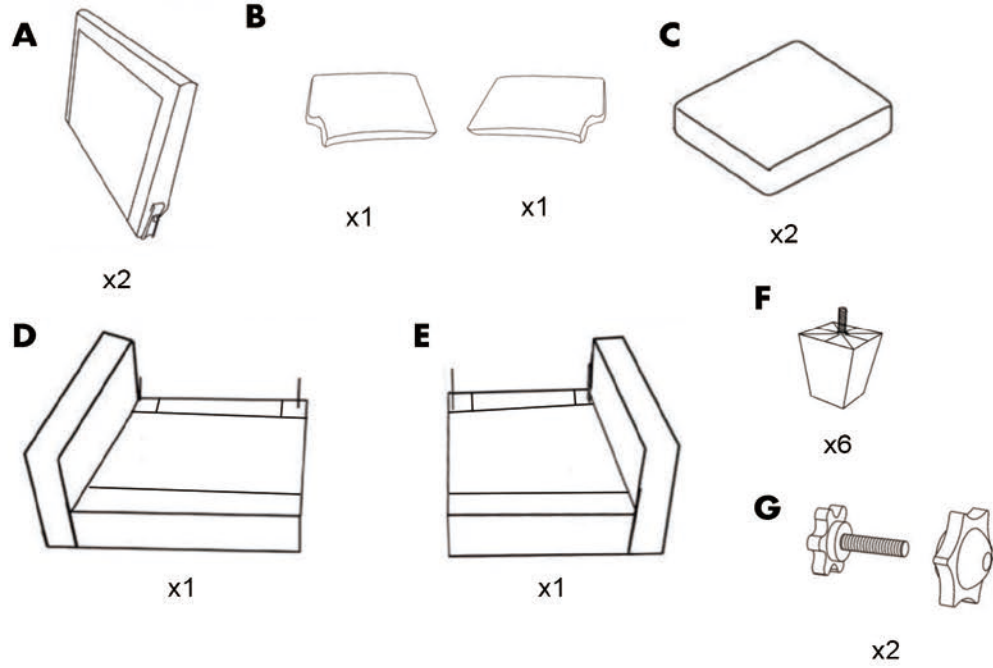


---

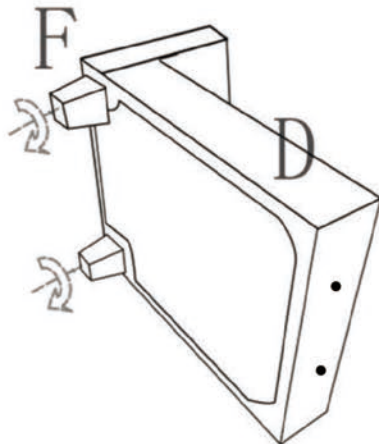
Please retain the packaging received with your item for a minimum of 30 days, or until you are completely satisfied with your product. Charges may apply to replace the packaging if it is not retained for return purposes. Please check that you have all of the parts required for the product that you have purchased. If you do notice a problem, do not continue with assembling the item—notify us immediately.

# Instructions side 1

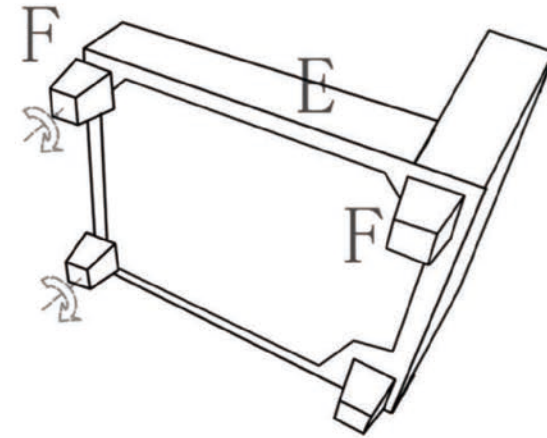
2 people recommended for assembly



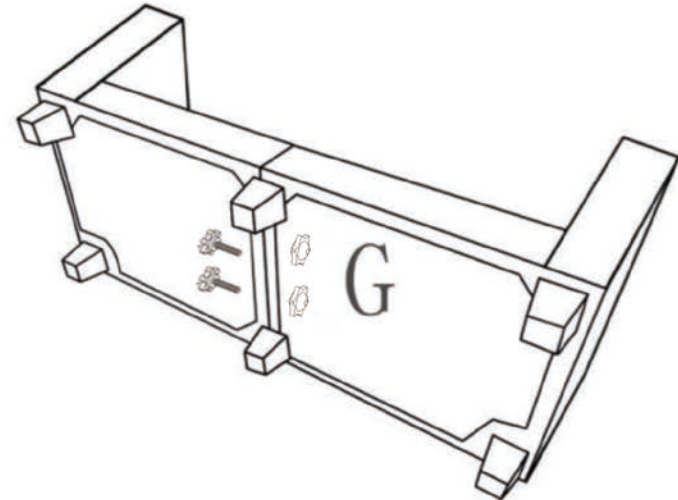
## 1 Attach chair feet (F) to bottom of seat (D)



## 2 Attach chair feet (F) to bottom of seat (E)

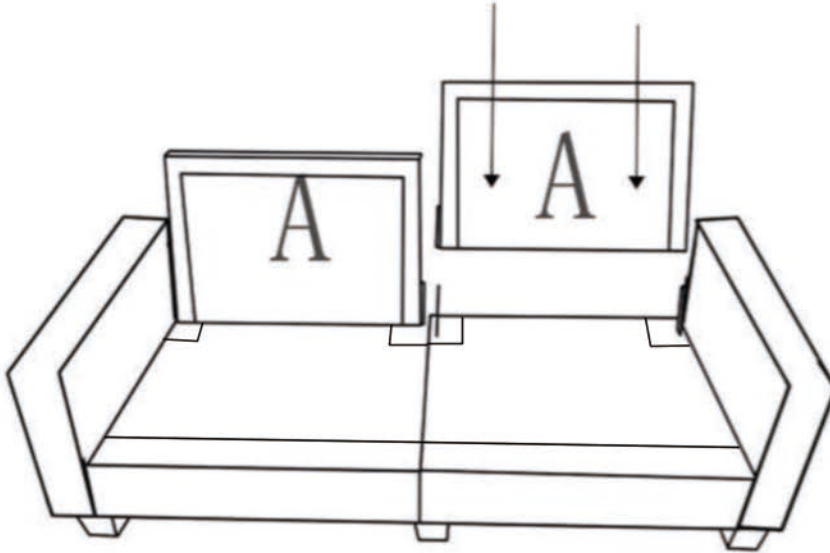


## 3 Attach seats (D&E) together



## Instructions side 2

- 4** Attach chair backs (A) to seat (D&E)



- 5** Place seat cushions (C) on chair seats (D&E). Then place back cushions (B) against chair backs (A)

