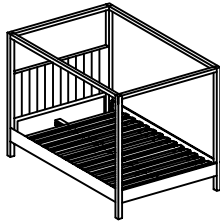


ASSEMBLY INSTRUCTION

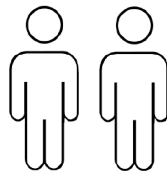
Q



+ Do Not Use Power Tools



+ Suggested Adults



NOTE:

- 1 Read instructions cover to cover.
- 2 Save all packaging until assembly is completed.

1 IMPORTANT SAFETY INFORMATION

Do not assemble the product if any of the following parts arrived damaged:

- Part # - Side Rails
- Part # - Center Support Bar
- Part # - Support Legs
- Part # - Slats

2 IMPORTANT ASSEMBLY INFORMATION

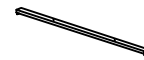
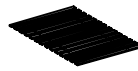
Assembly Step Ensure the side rail bracket is fully hooked onto bolt loosely threaded with both washers on the **OUTSIDE** of the bracket first, then proceed to fully tightening all 4 corners.

+ Parts Included

- ① Headboard (1 of pc) ② Footboard (1 of pc) ③ Side Rail (2 of pcs)



- ④ 14 Pcs Slat (1 of set) ⑤ Center Rail (1 of pc) ⑥ Support Leg (2 of pcs)



- ⑦ Headboard Metal (Left) (1 of pc) ⑧ Headboard Metal (Right) (1 of pc) ⑨ Footboard Metal (Left) (1 of pc)

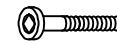


- ⑩ Footboard Metal (Right) (1 of pc) ⑪ Headboard and Footboard Upper Metal (2 of pcs) ⑫ Side Rail Upper Metal (2 of pcs)



+ Hardware Included

- A Black JCBC M6x20mm (16 of pcs) B Black JCBC M6x50mm (8 of pcs) C JCBB M8x20mm (16 of pcs)



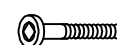
- D Allen Key M4 x 65mm (1 of pc) E Allen Key M5 x 70mm (1 of pc) F CSK M4 x 25mm (2 of pcs)



- G CSK M4 x 32mm (31 of pcs) H Small Adjuster (2 of pcs) I Black Spring Washer (24 of pcs)

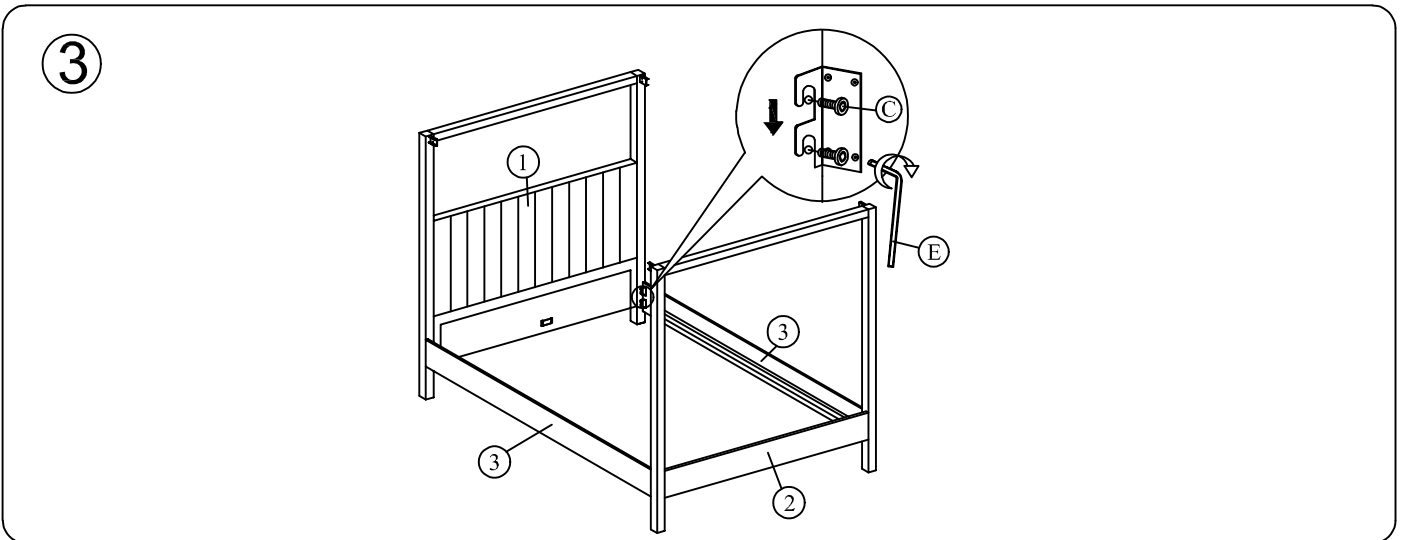
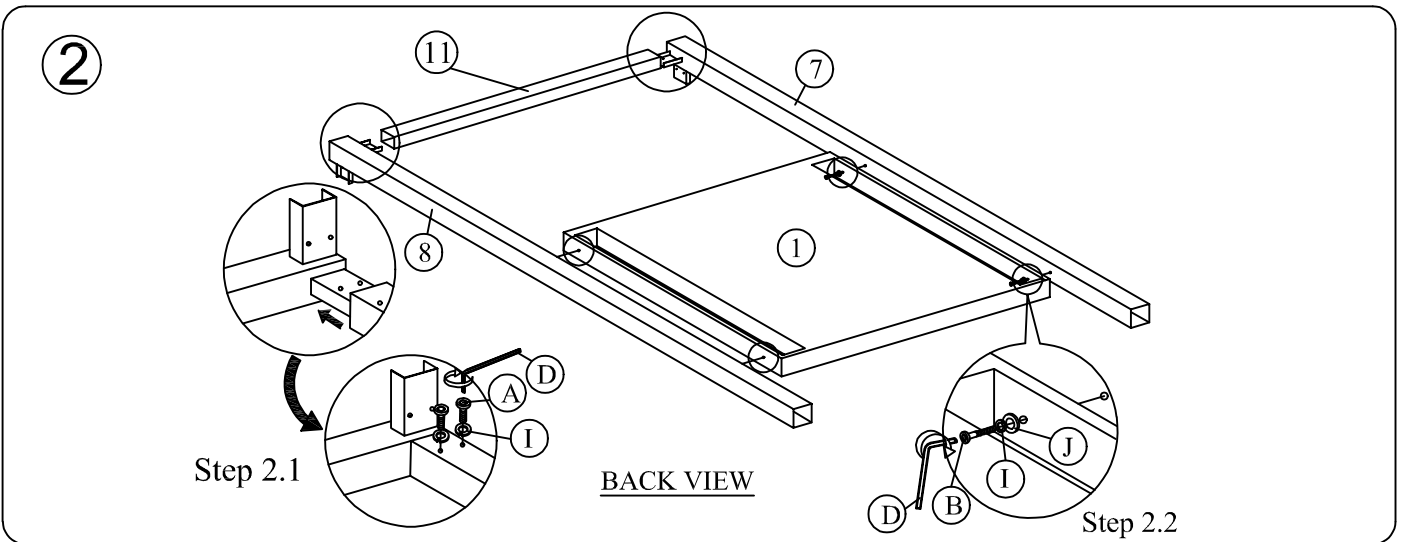
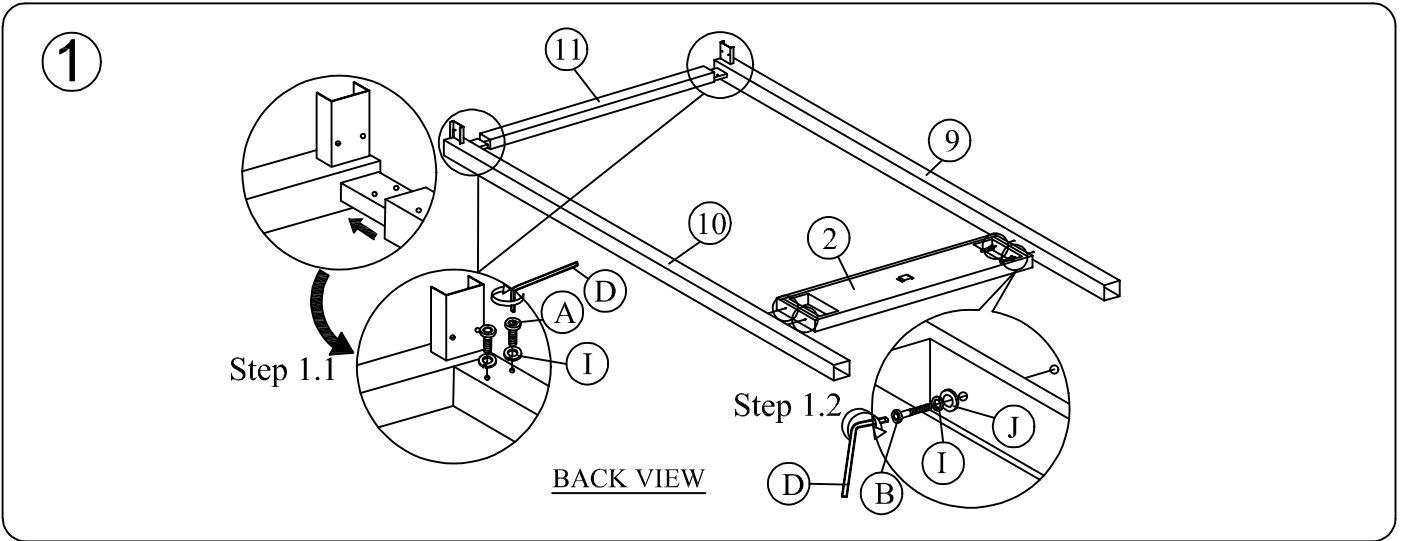


- J Black Flat Washer (8 of pcs) K JCBC M6x40mm (2 of pcs)



ASSEMBLY INSTRUCTION

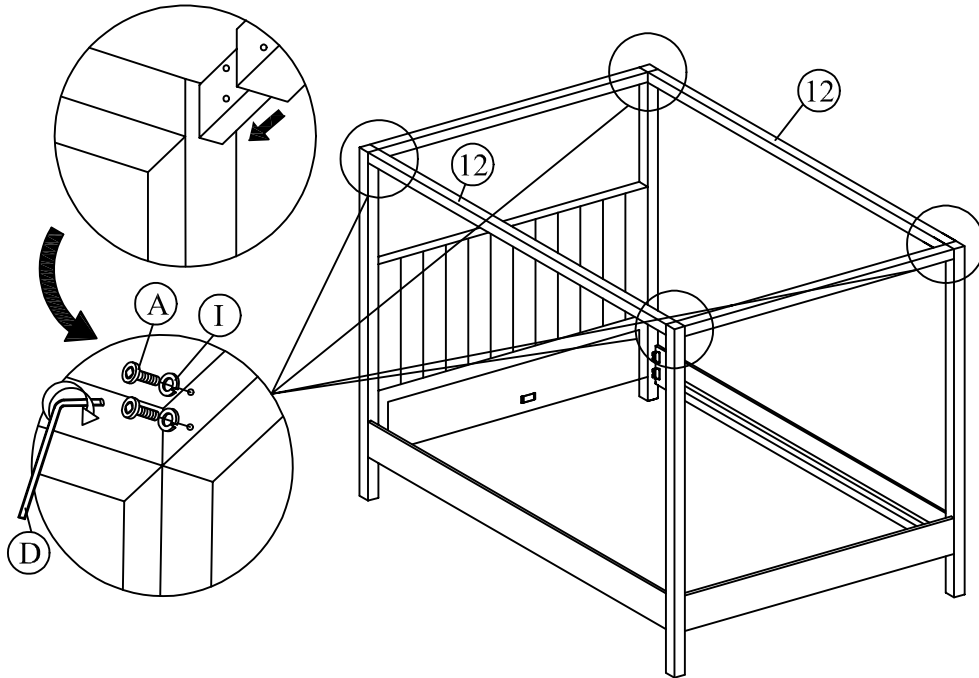
Q



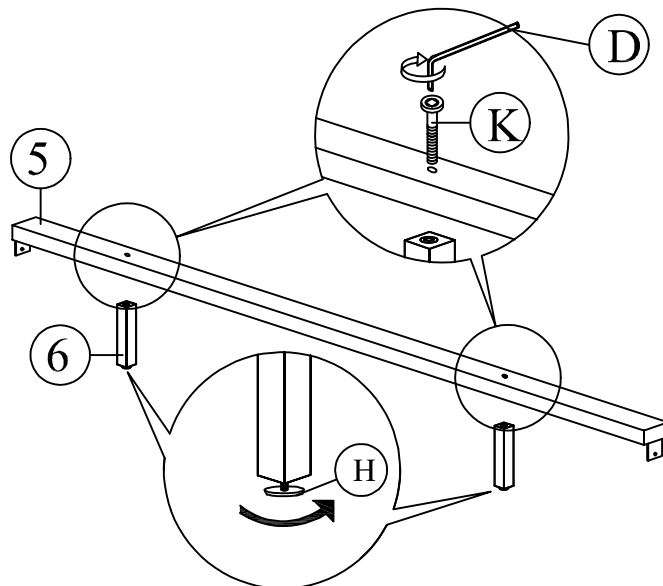
ASSEMBLY INSTRUCTION

Q

4



5

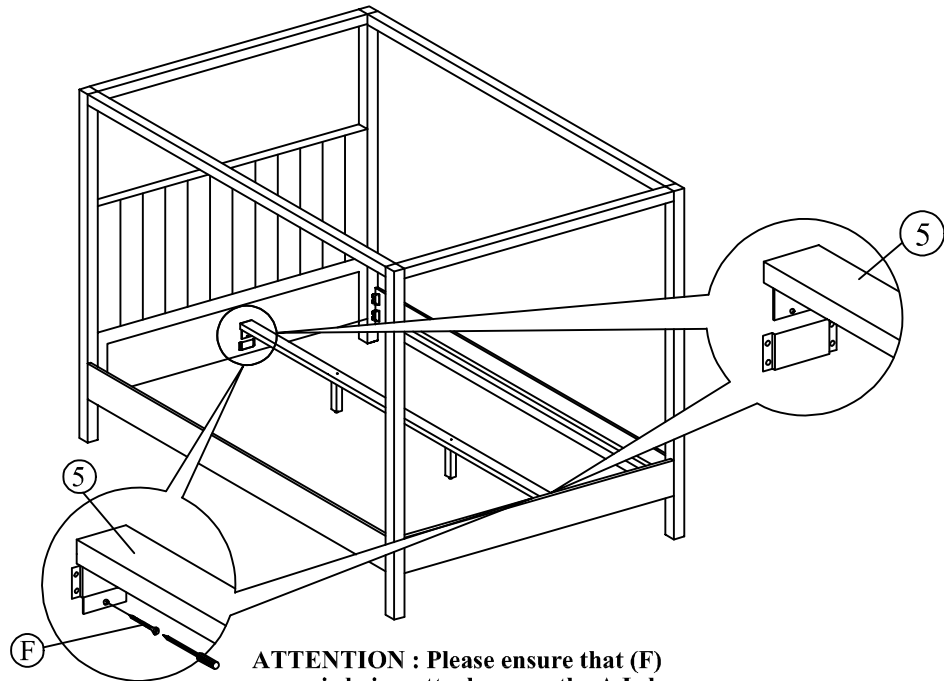


ATTENTION:
Please keep the adjuster around 5 to 8 mm
distance away from the floor.

ASSEMBLY INSTRUCTION

Q

6



ATTENTION : Please ensure that (F) screw is being attach as per the A.I shown to avoid base being collapse.

7

