

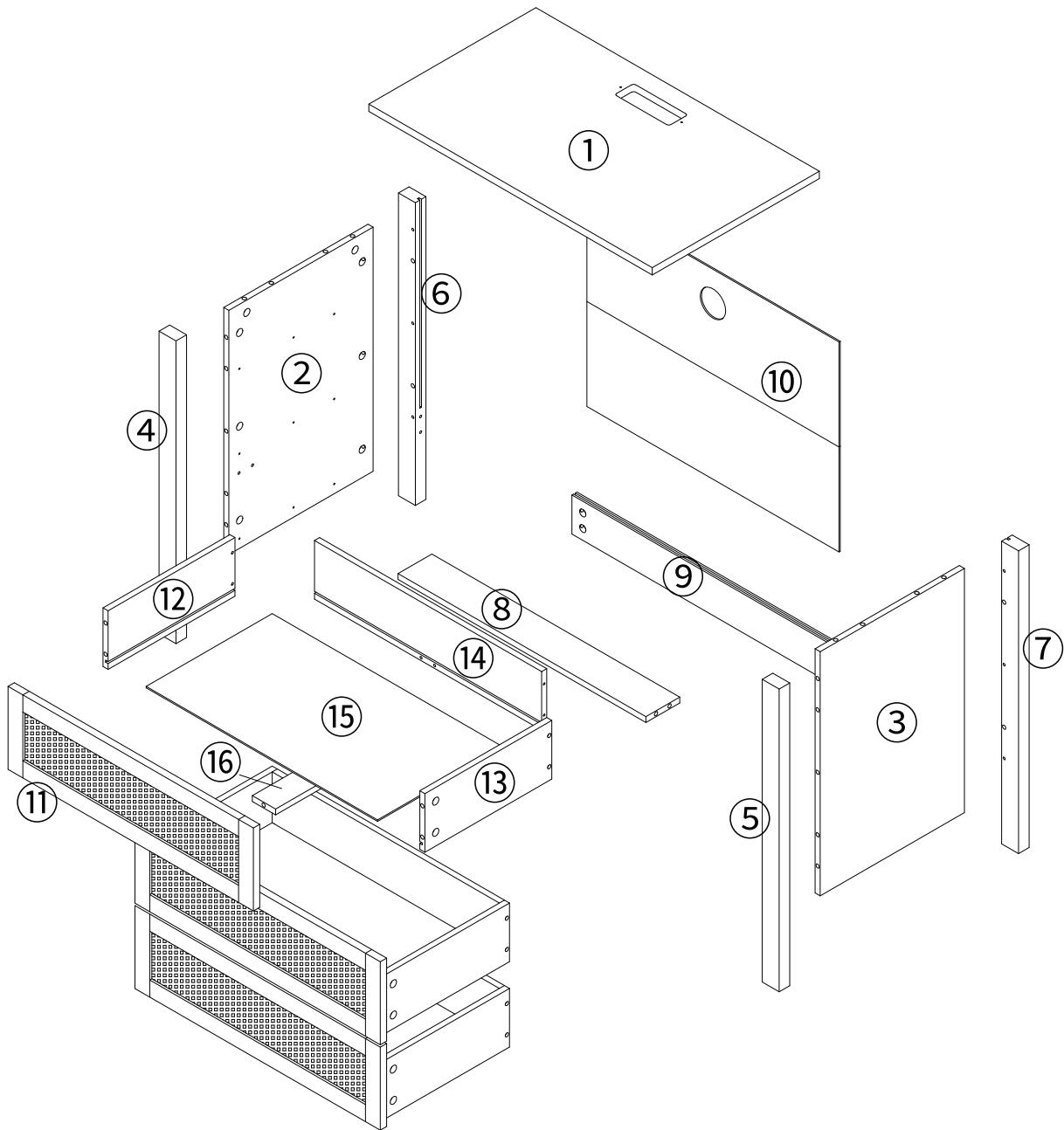
BESIDE TABLE

USER MANUAL

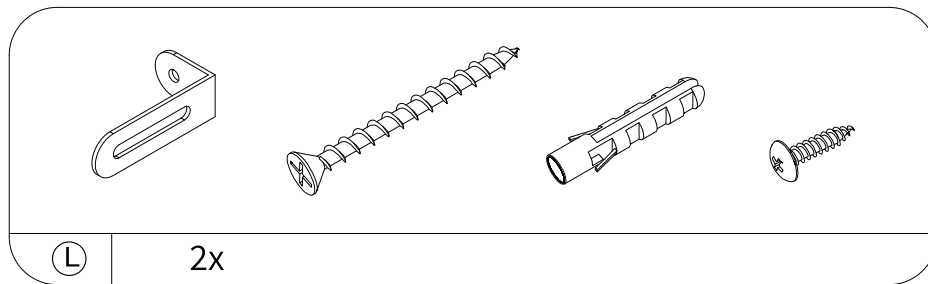
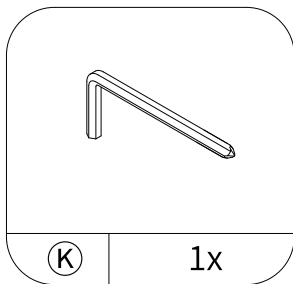
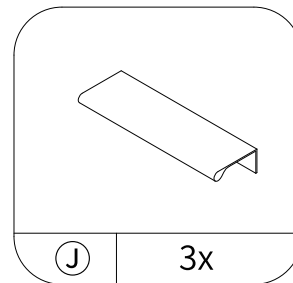
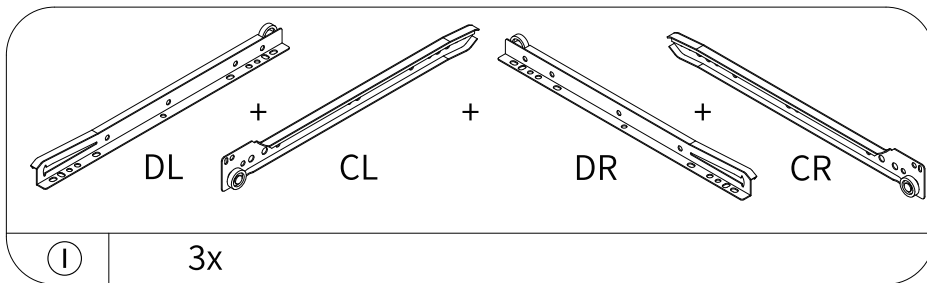
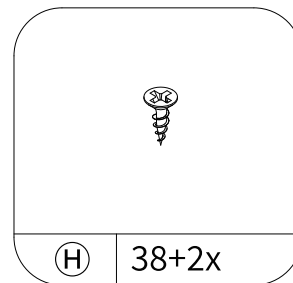
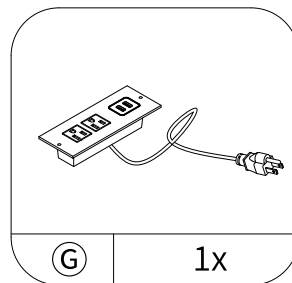
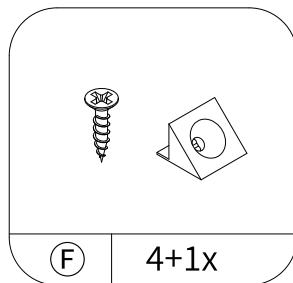
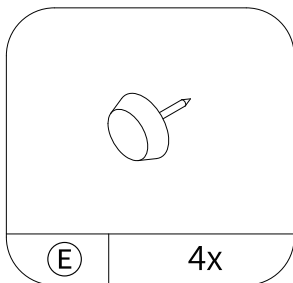
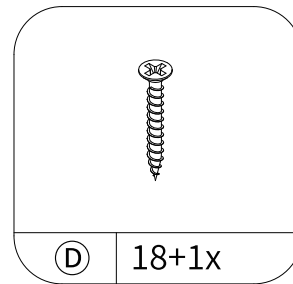
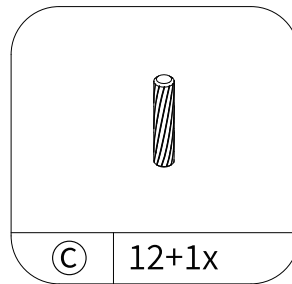
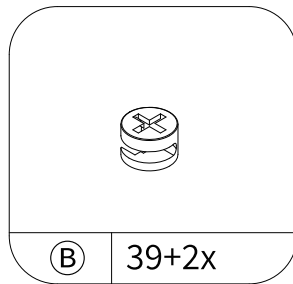
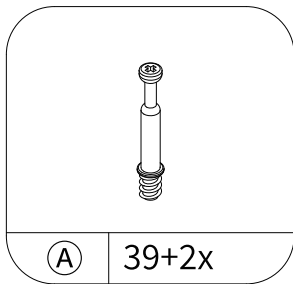
MODEL: SKUL23286 (1pc) / SKUL23287 (2pcs)

1

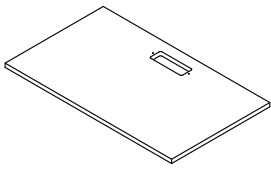
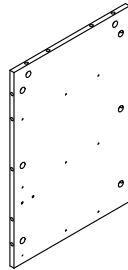
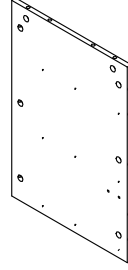

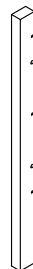


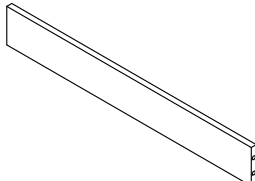
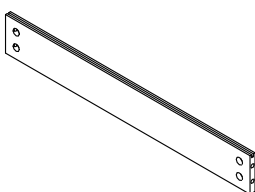
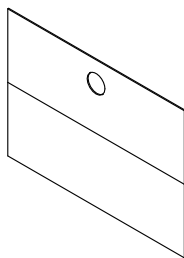
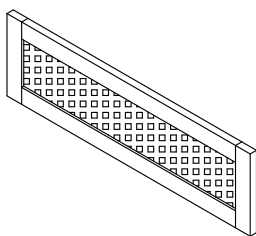
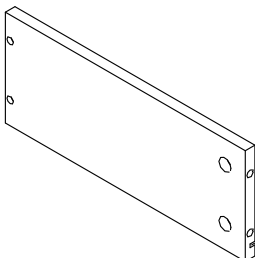
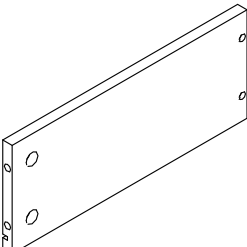
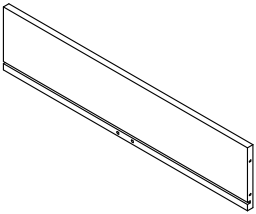
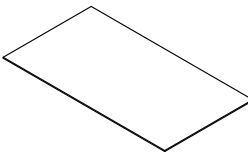
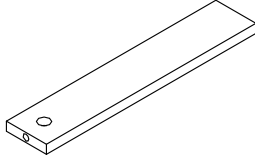
ASSEMBLY INSTRUCTIONS



PACKAGING LIST

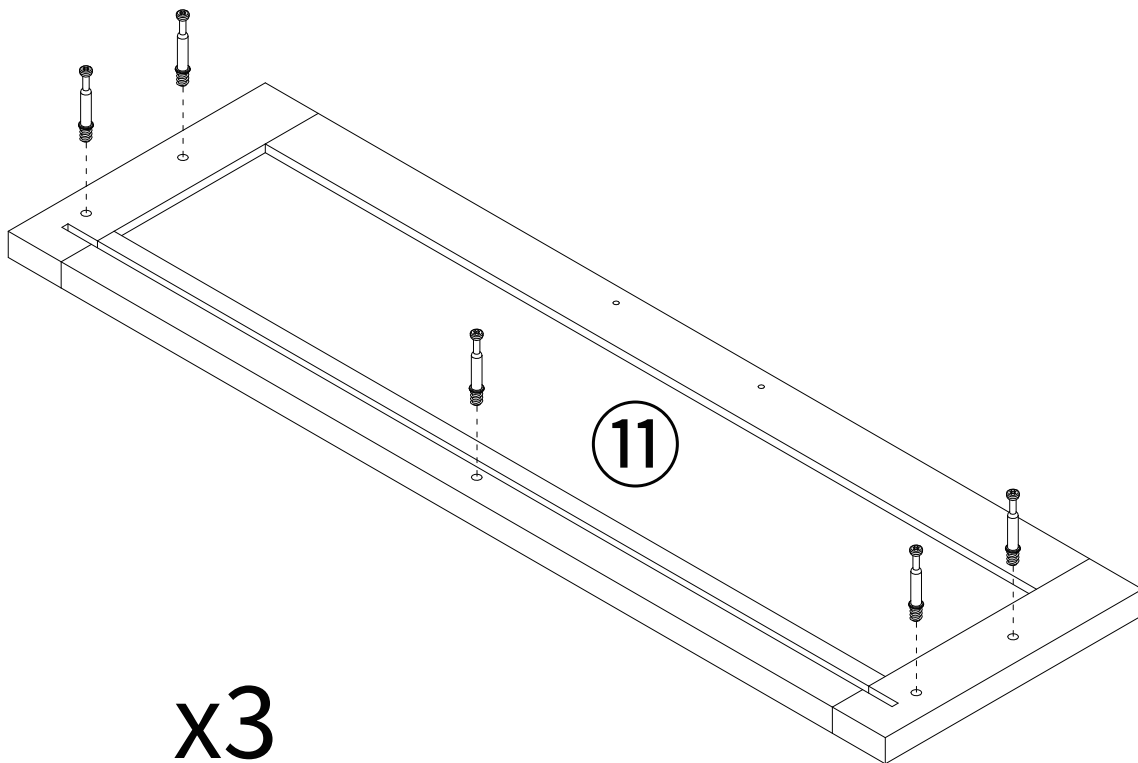
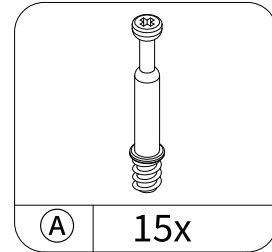


PACKAGING LIST

			
①x1	②x1	③x1	④x1
			
⑤x1	⑥x1	⑦x1	⑧x1
			
⑨x1	⑩x1	⑪x3	⑫x3
			
⑬x3	⑭x3	⑮x3	⑯x3

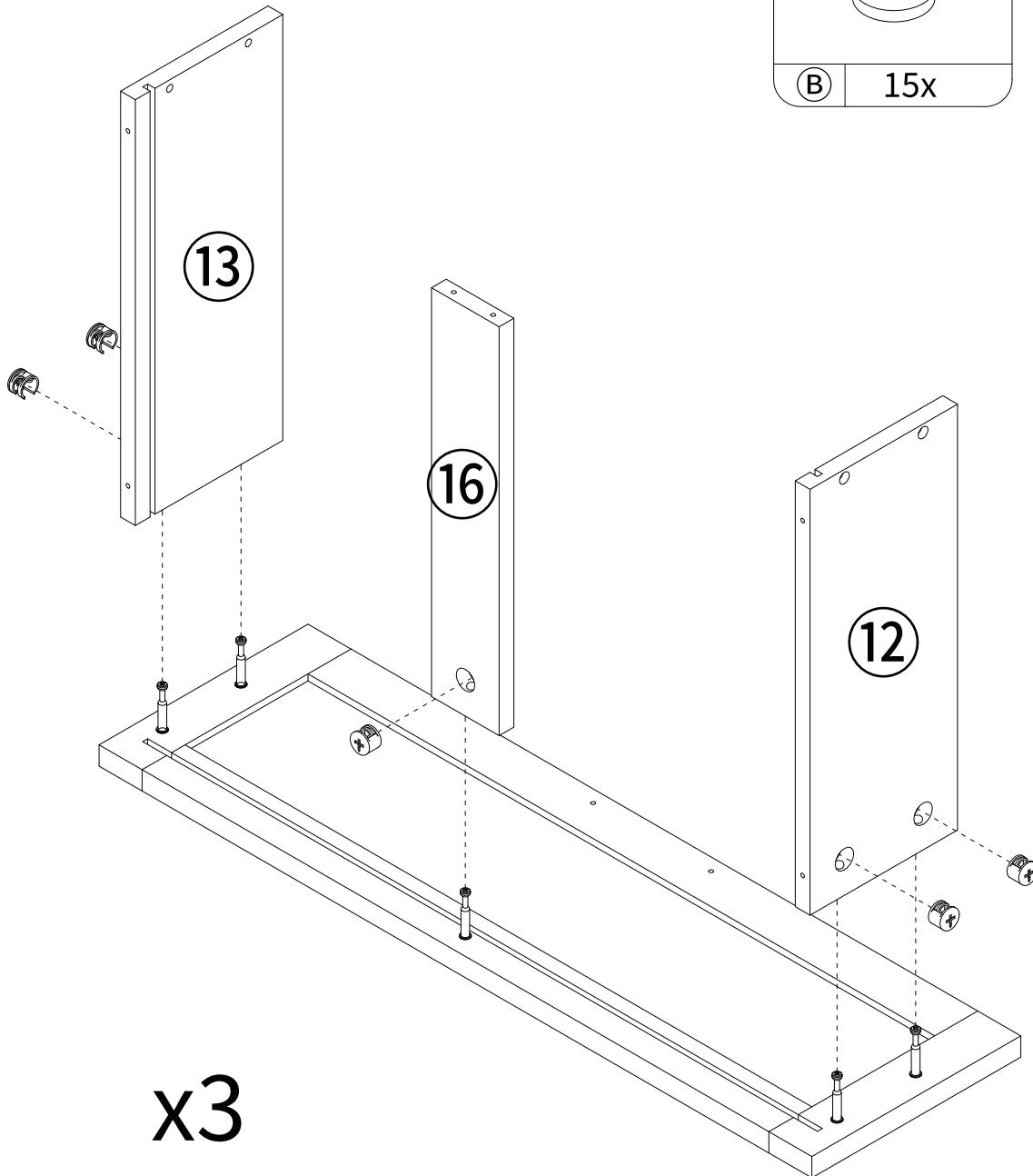
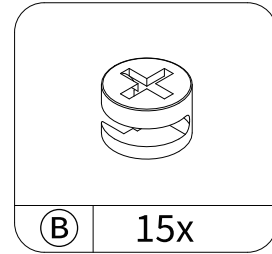
4

STEP 1



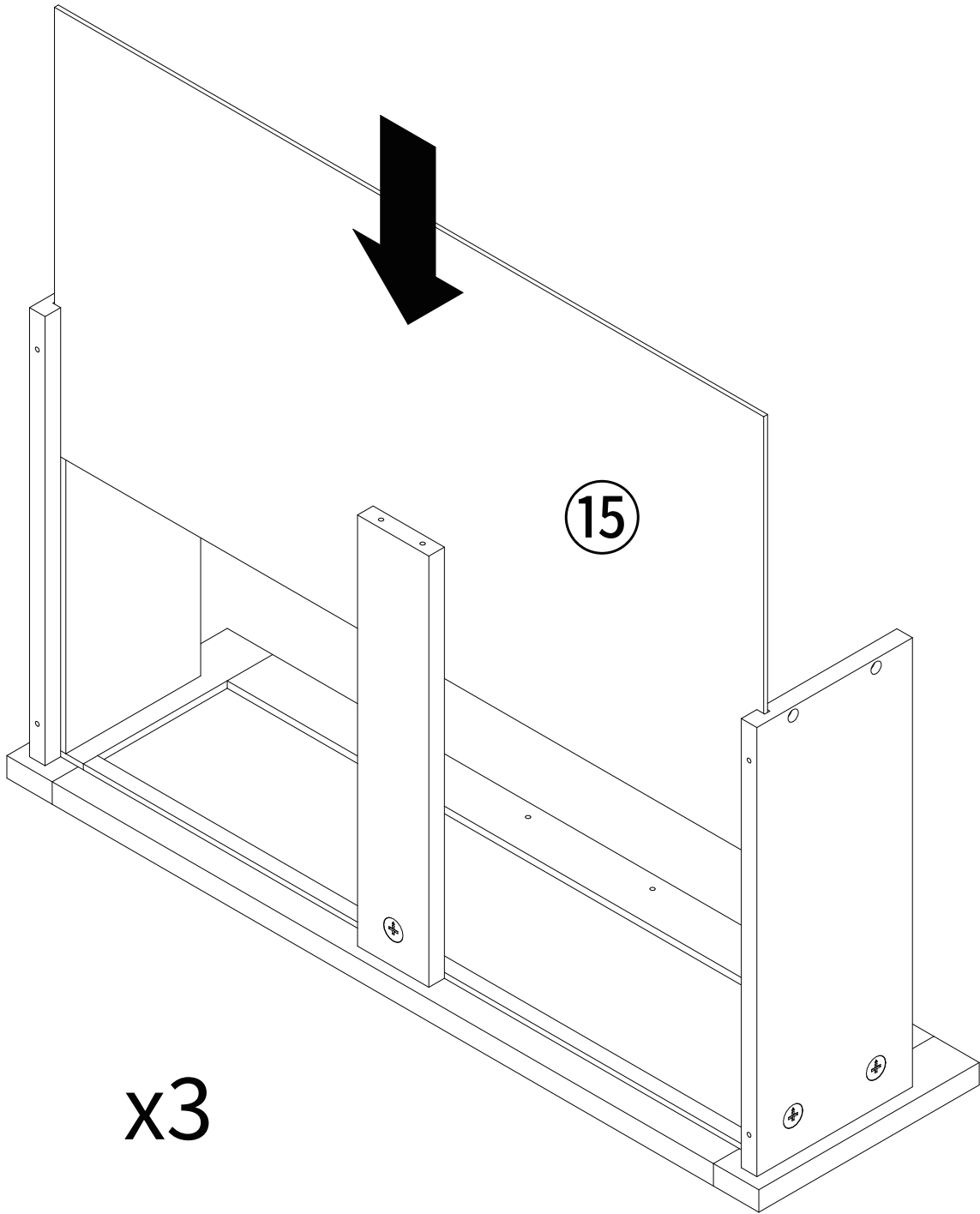
5

STEP 2



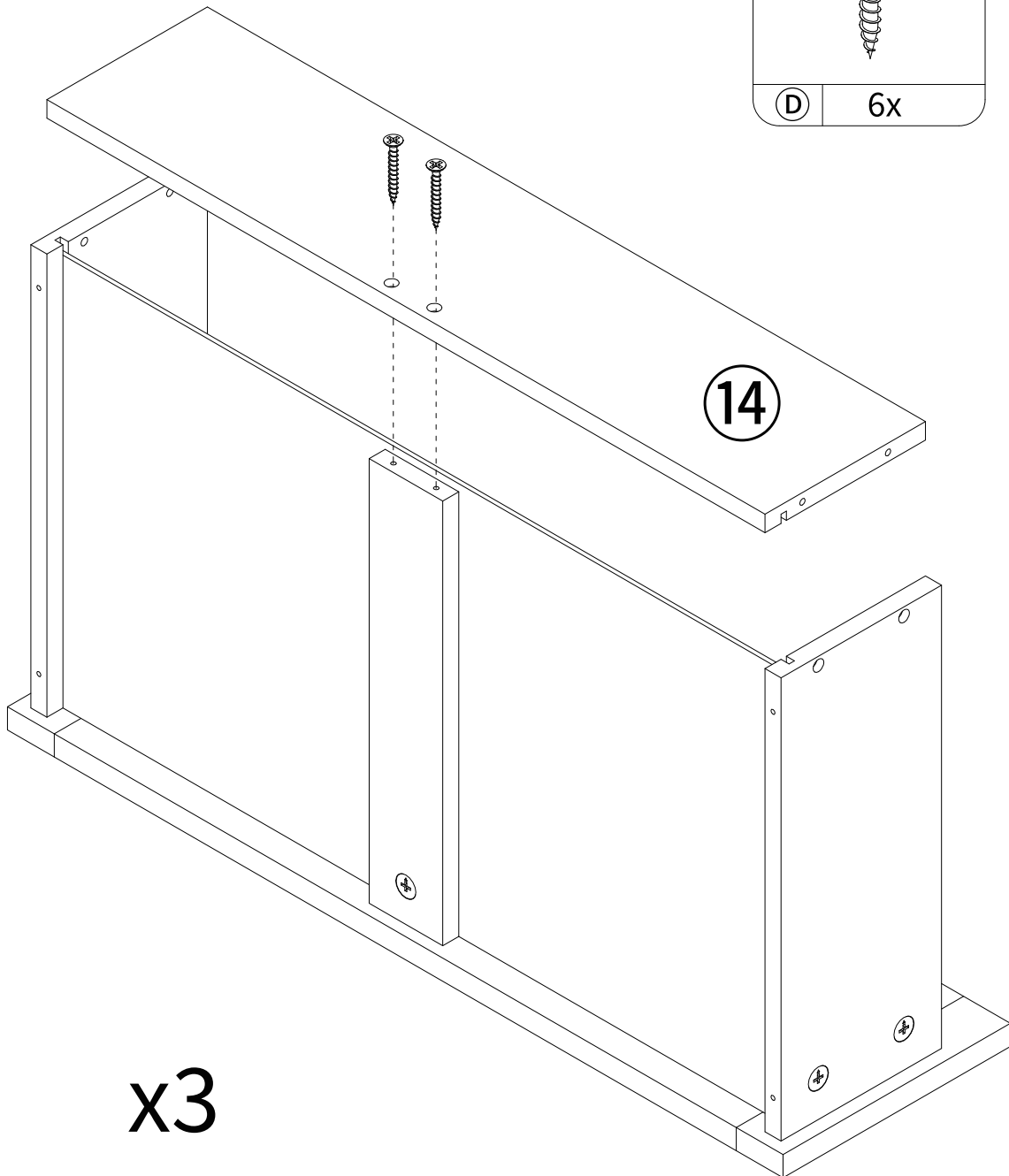
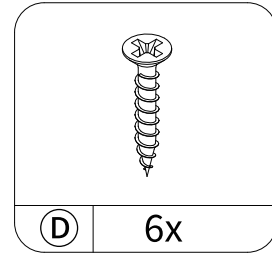
6

STEP 3



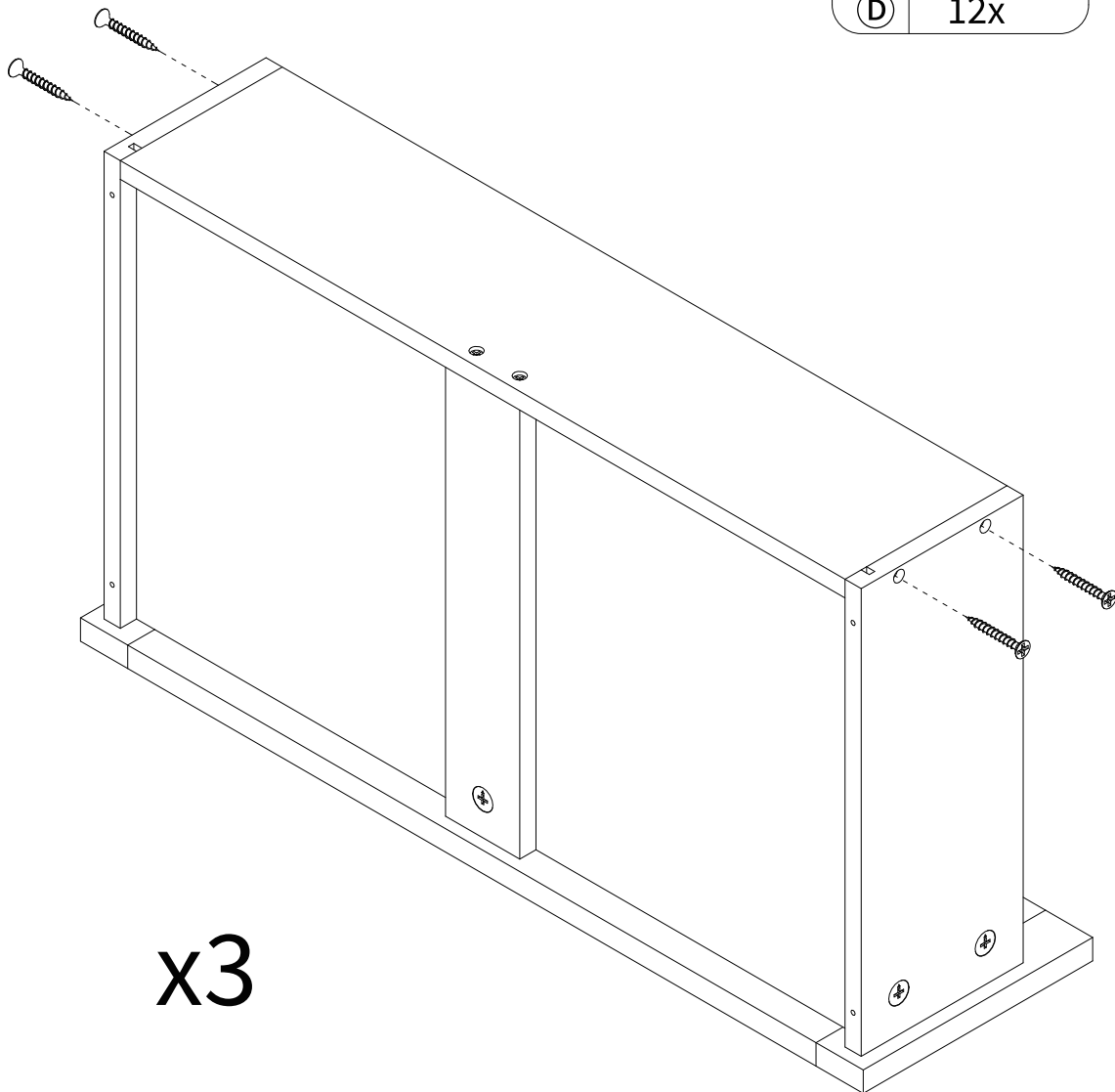
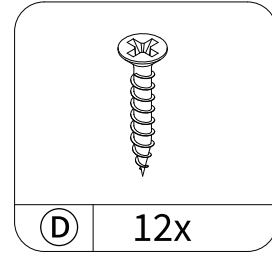
7

STEP 4



8

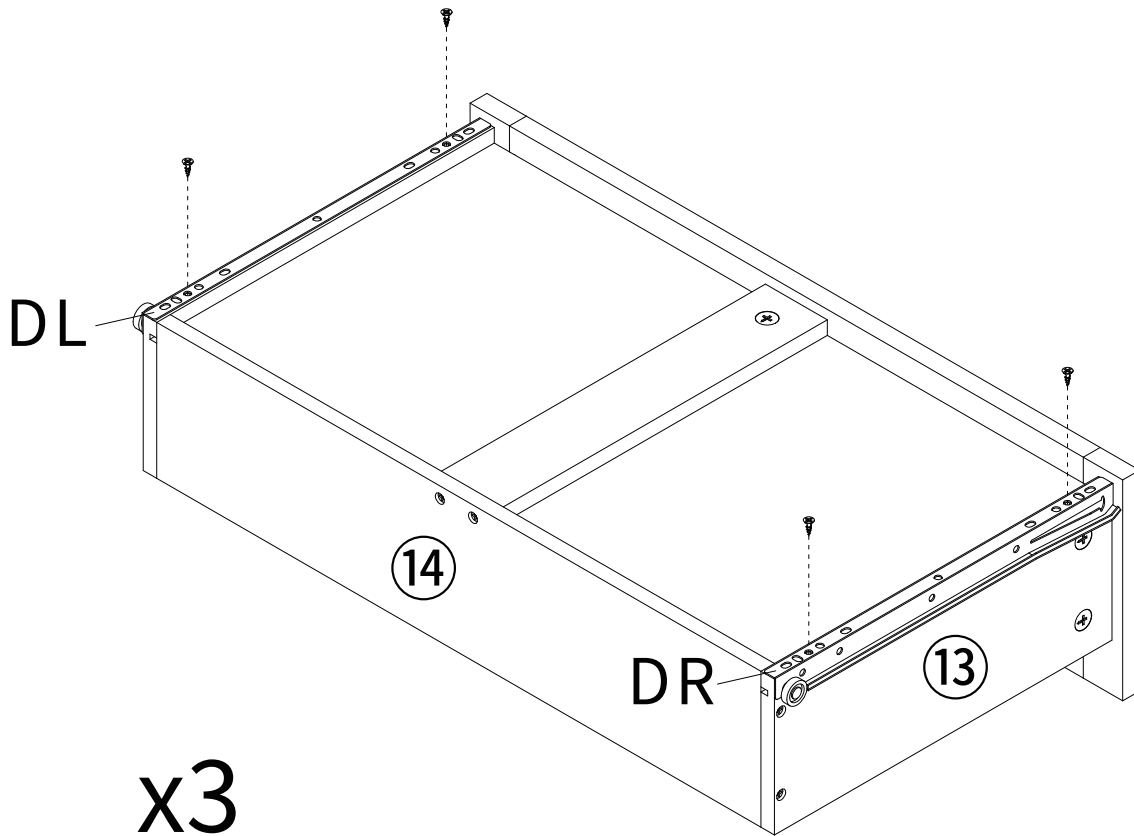
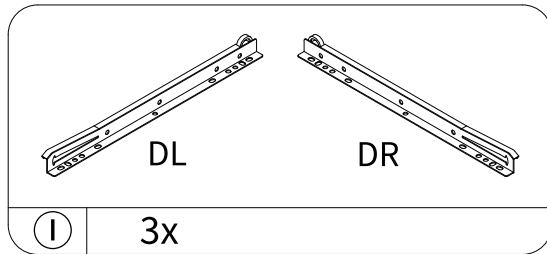
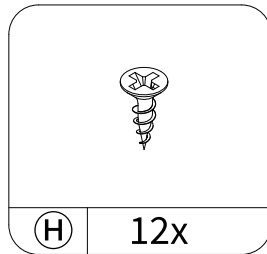
STEP 5



x3

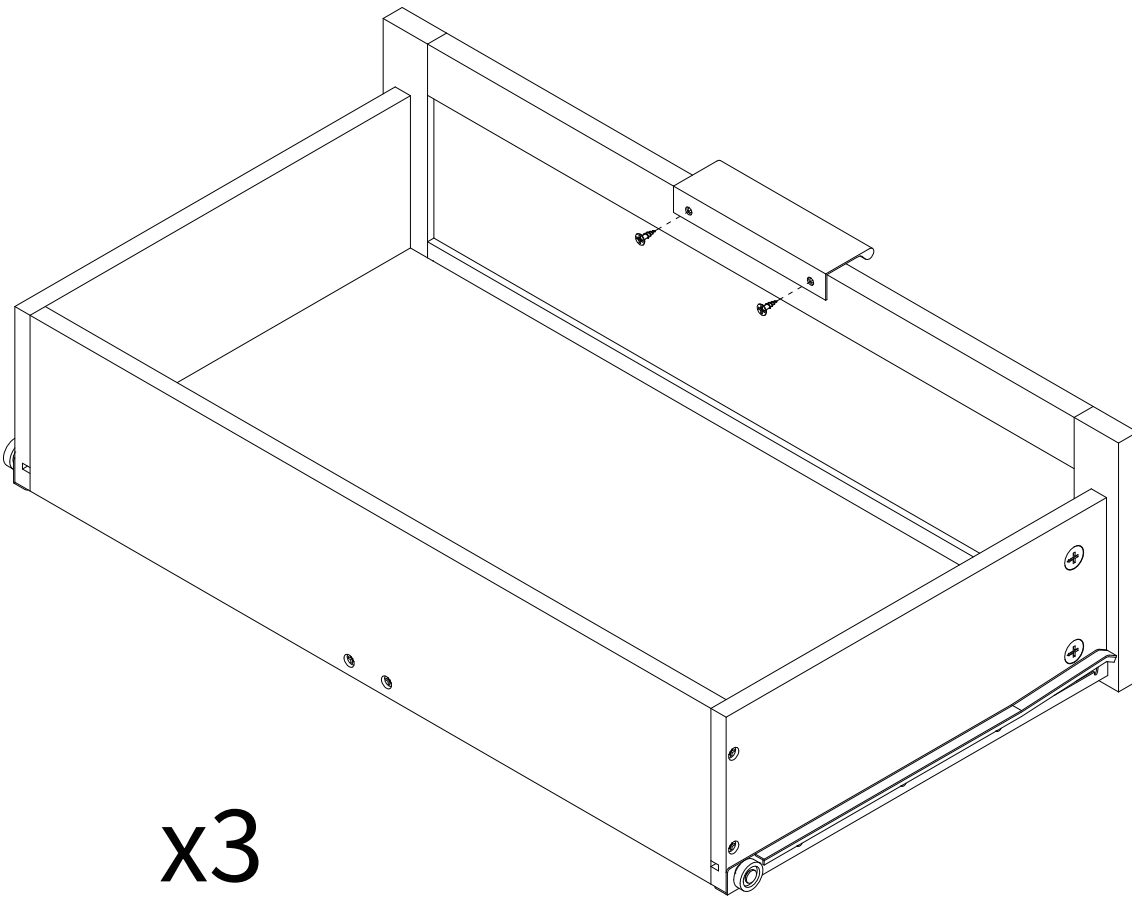
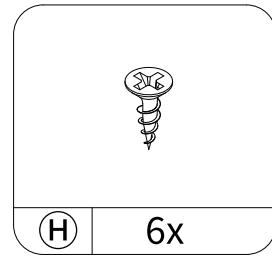
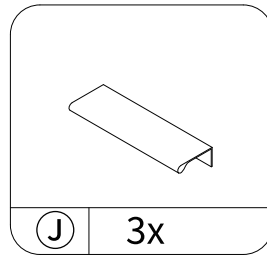
9

STEP 6

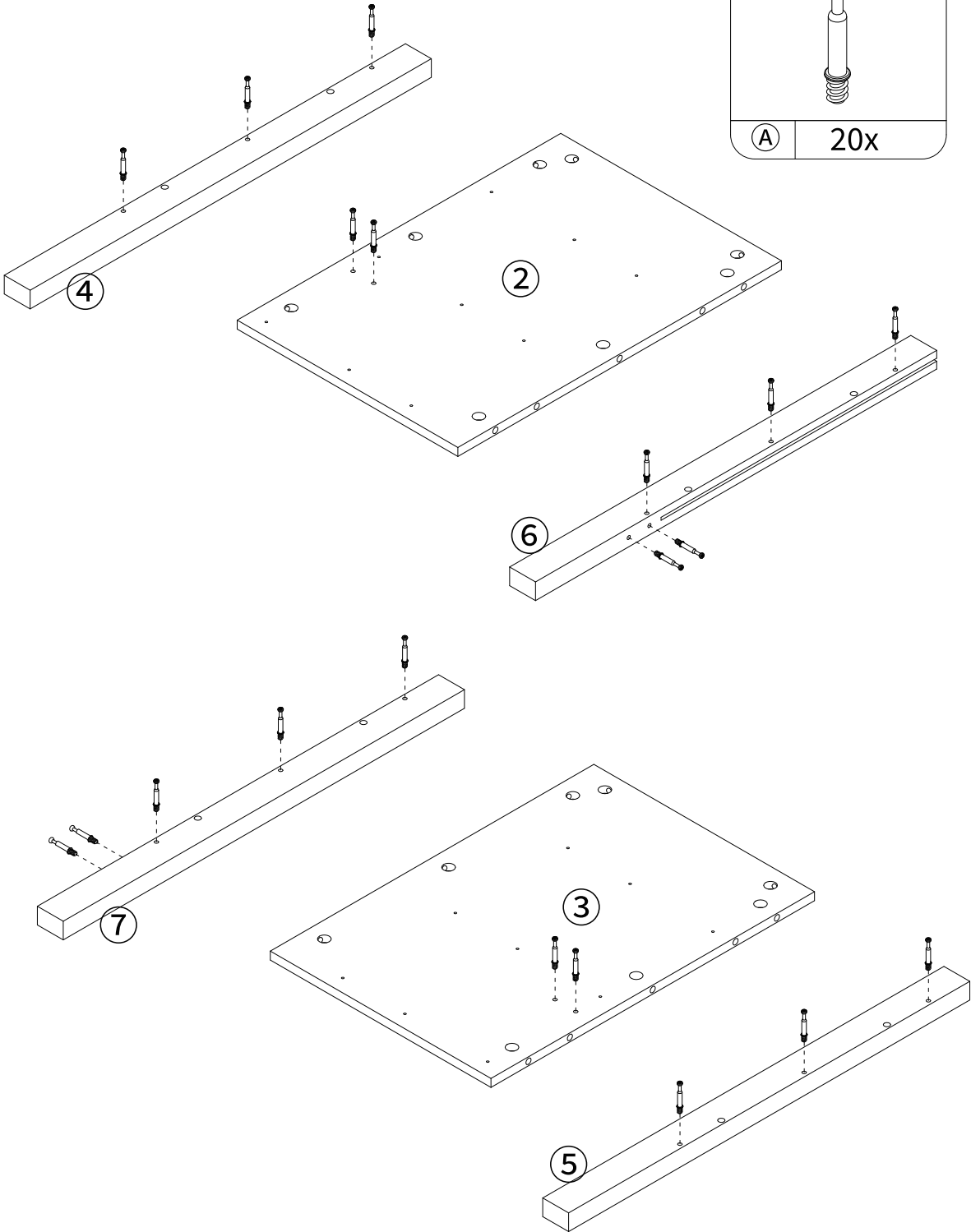


10

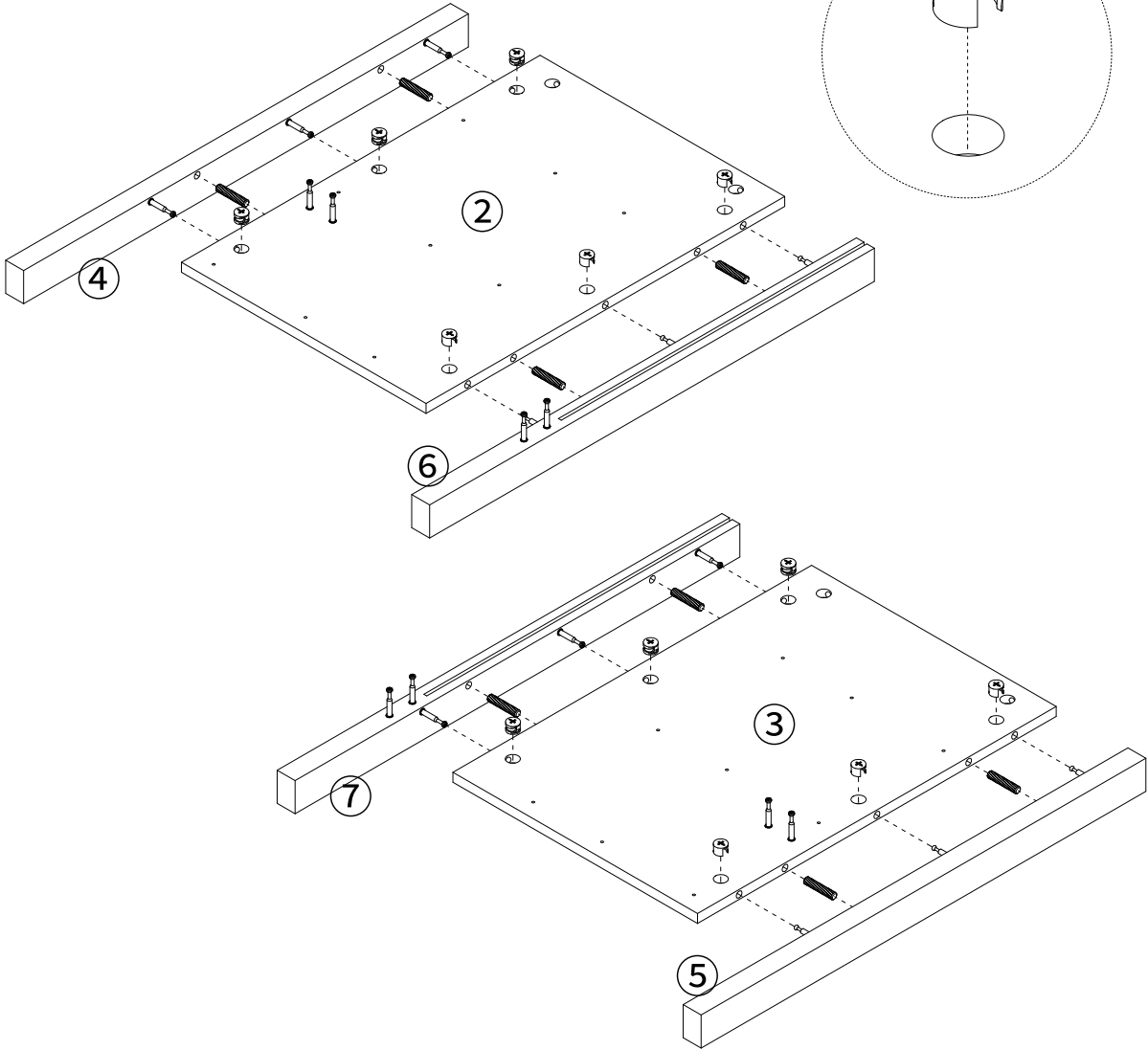
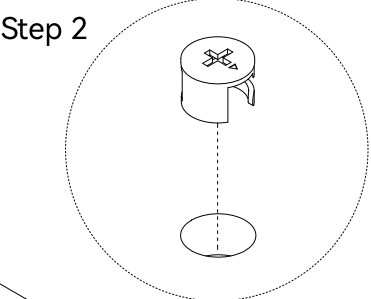
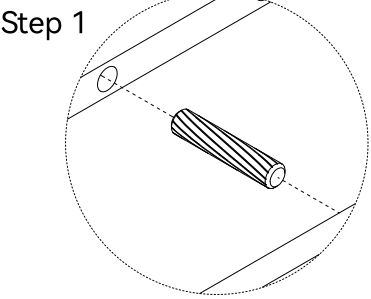
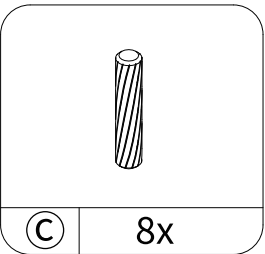
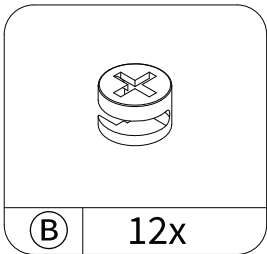
STEP 7



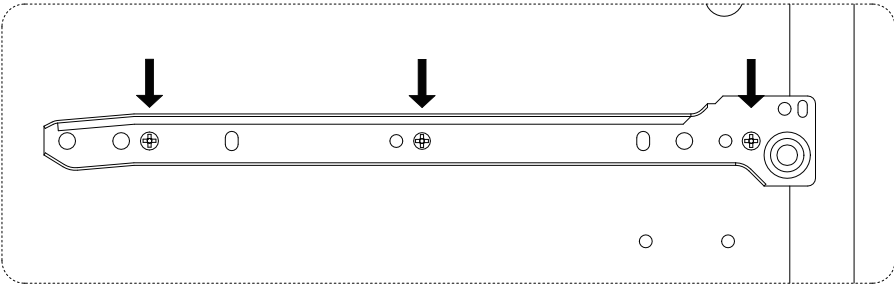
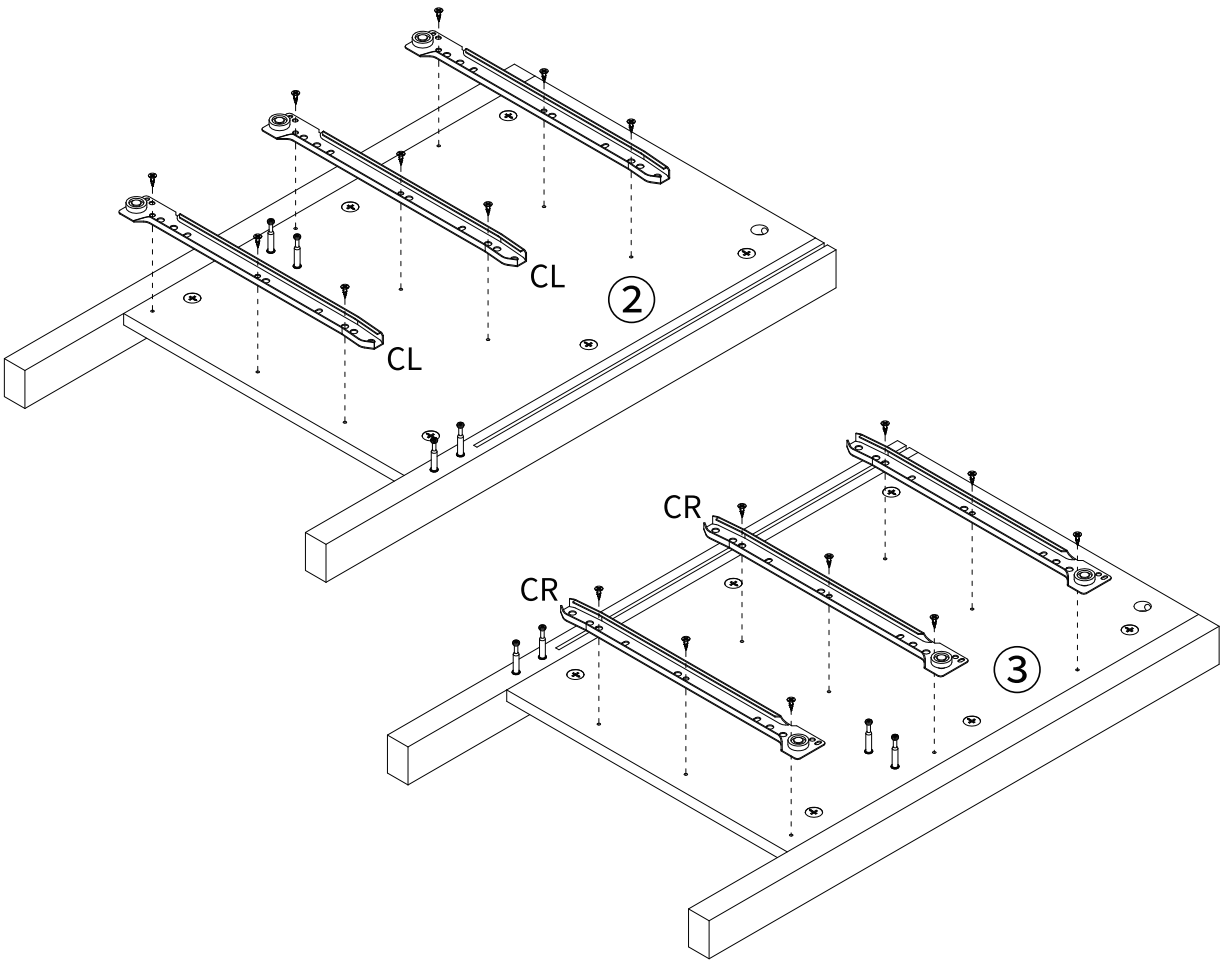
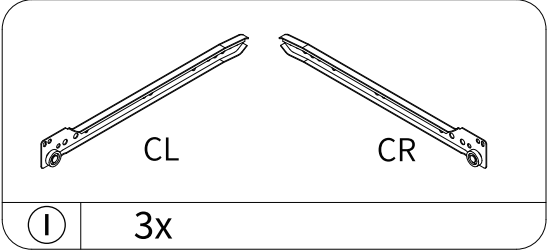
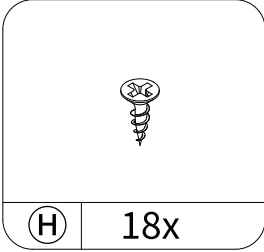
STEP 8



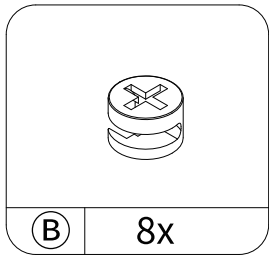
STEP 9



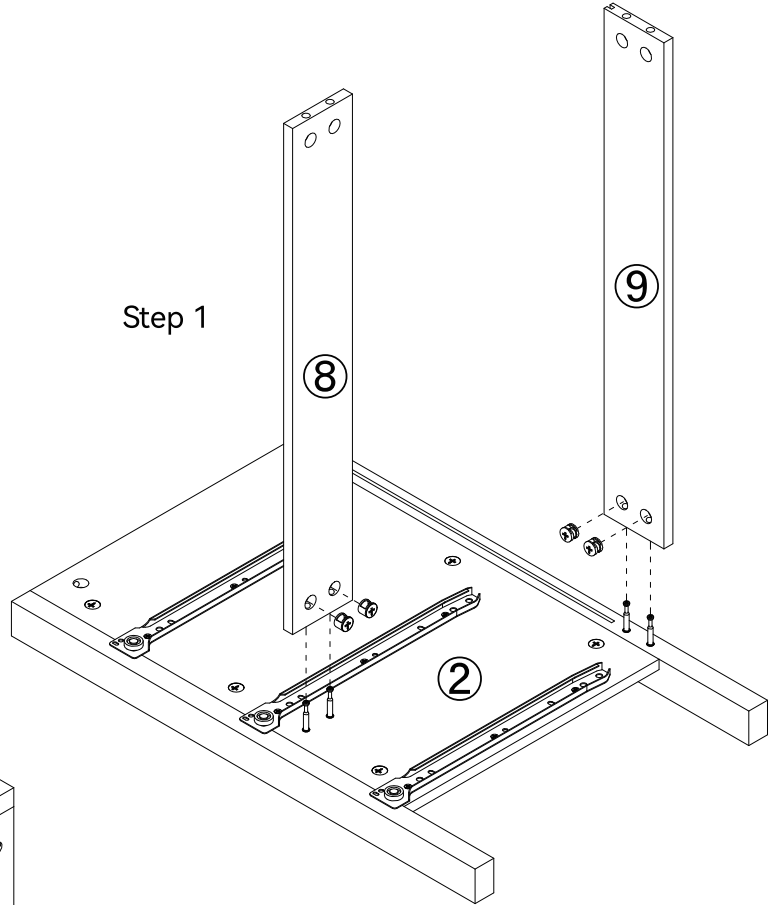
STEP 10



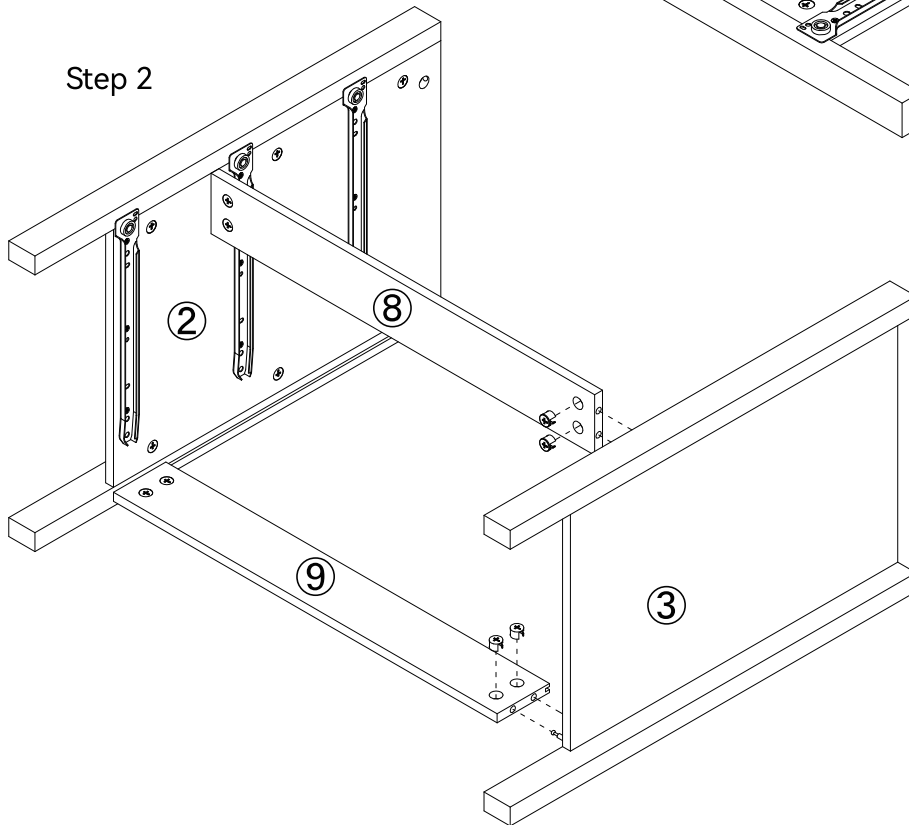
STEP 11



Step 1

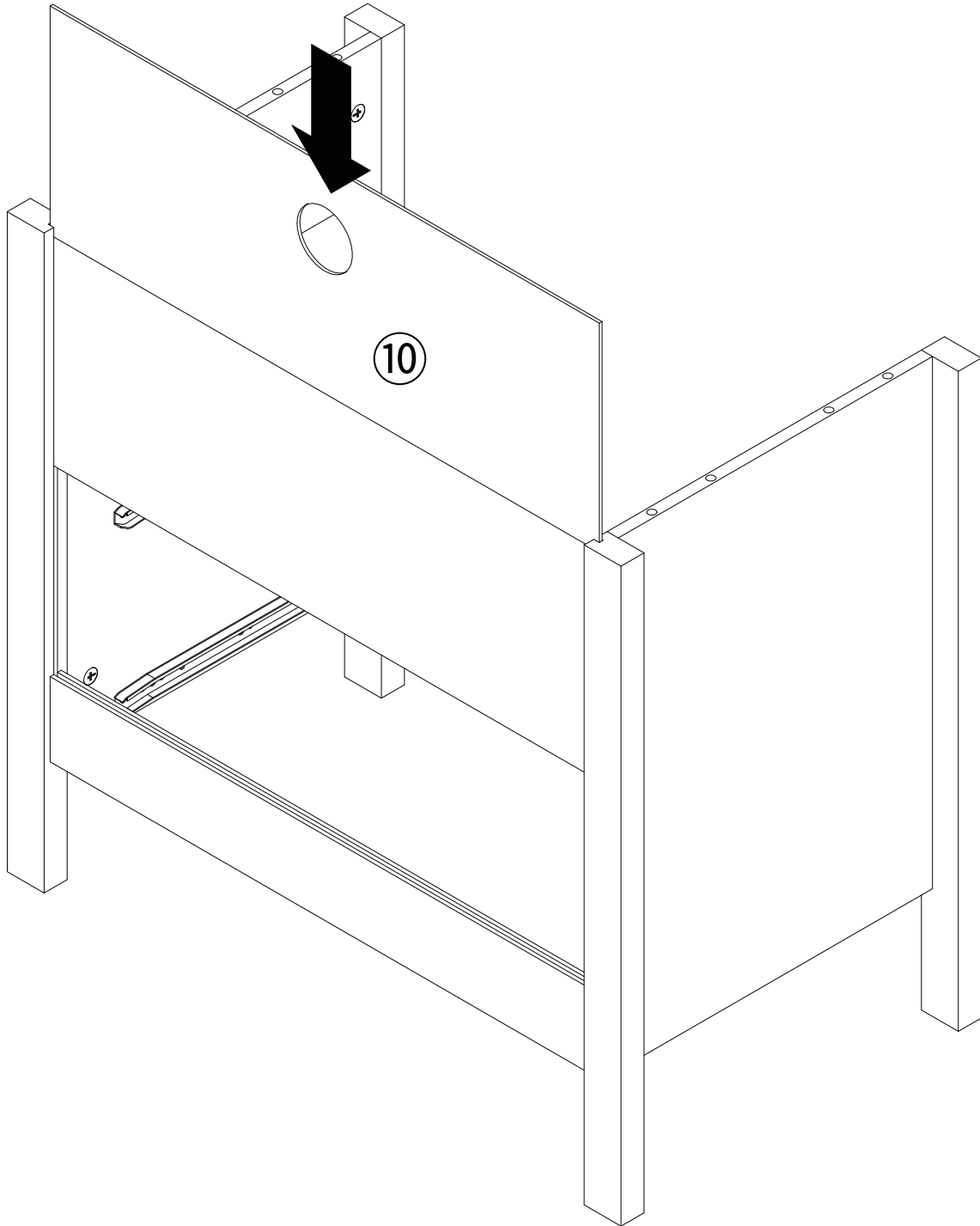


Step 2

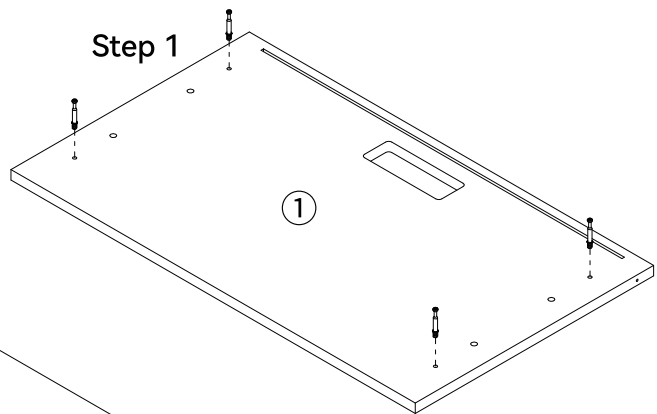
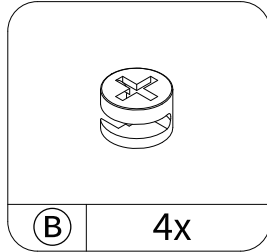
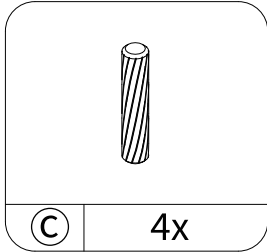
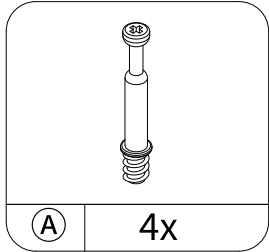


15

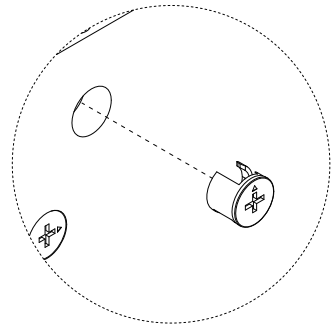
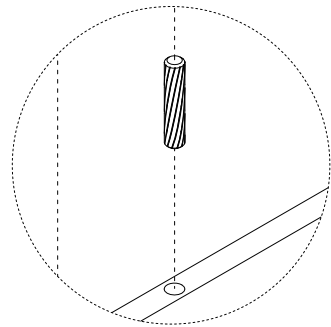
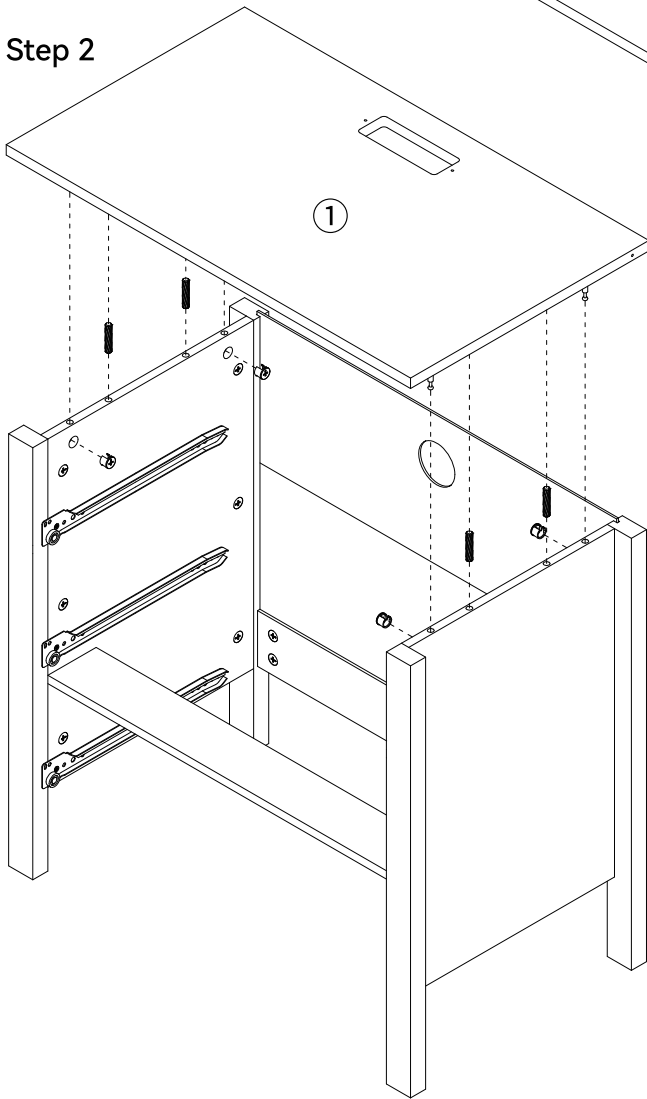
STEP 12



STEP 13

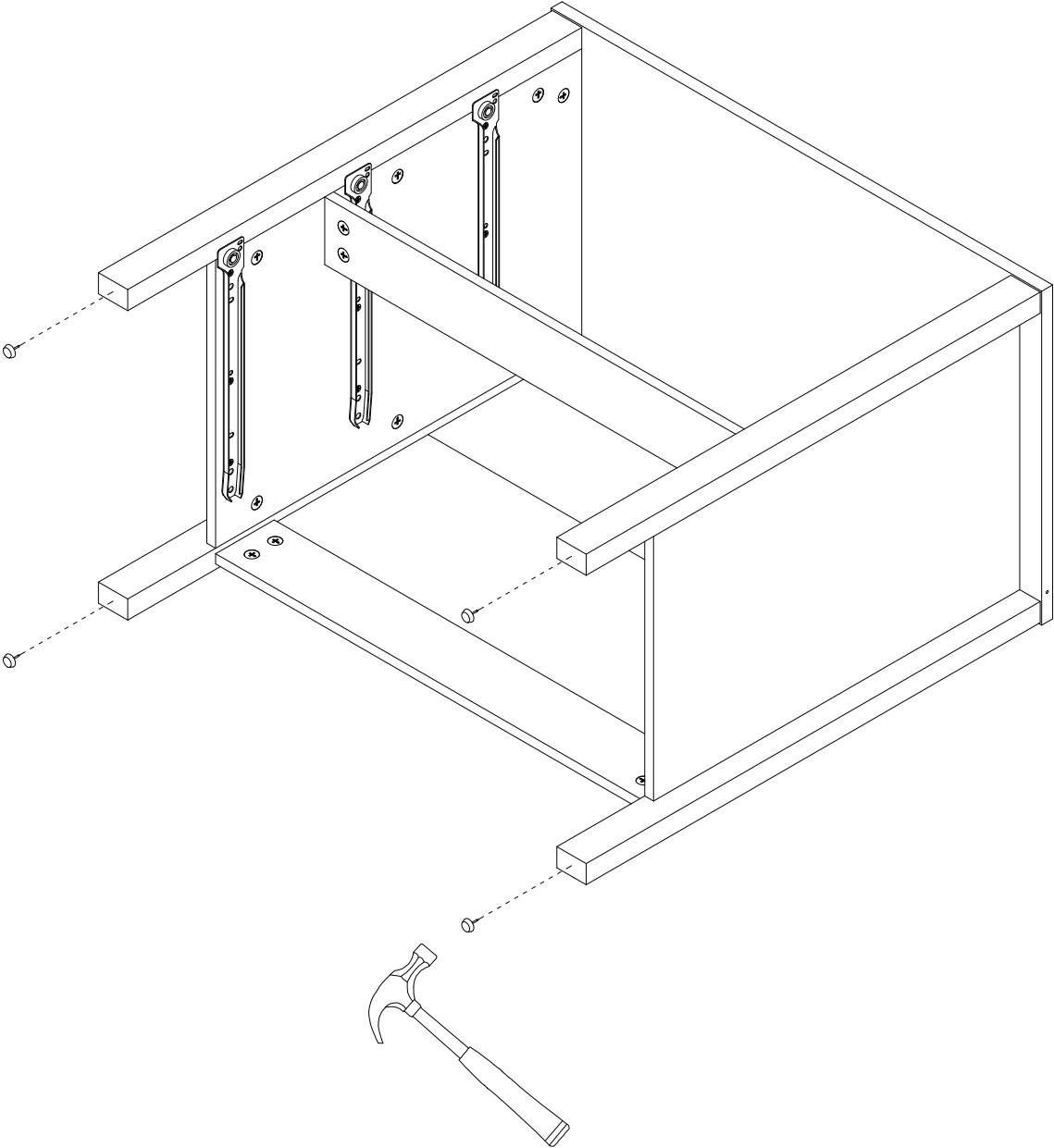
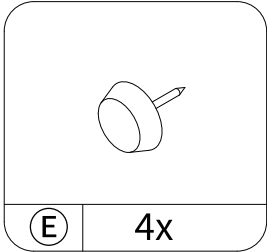


Step 2



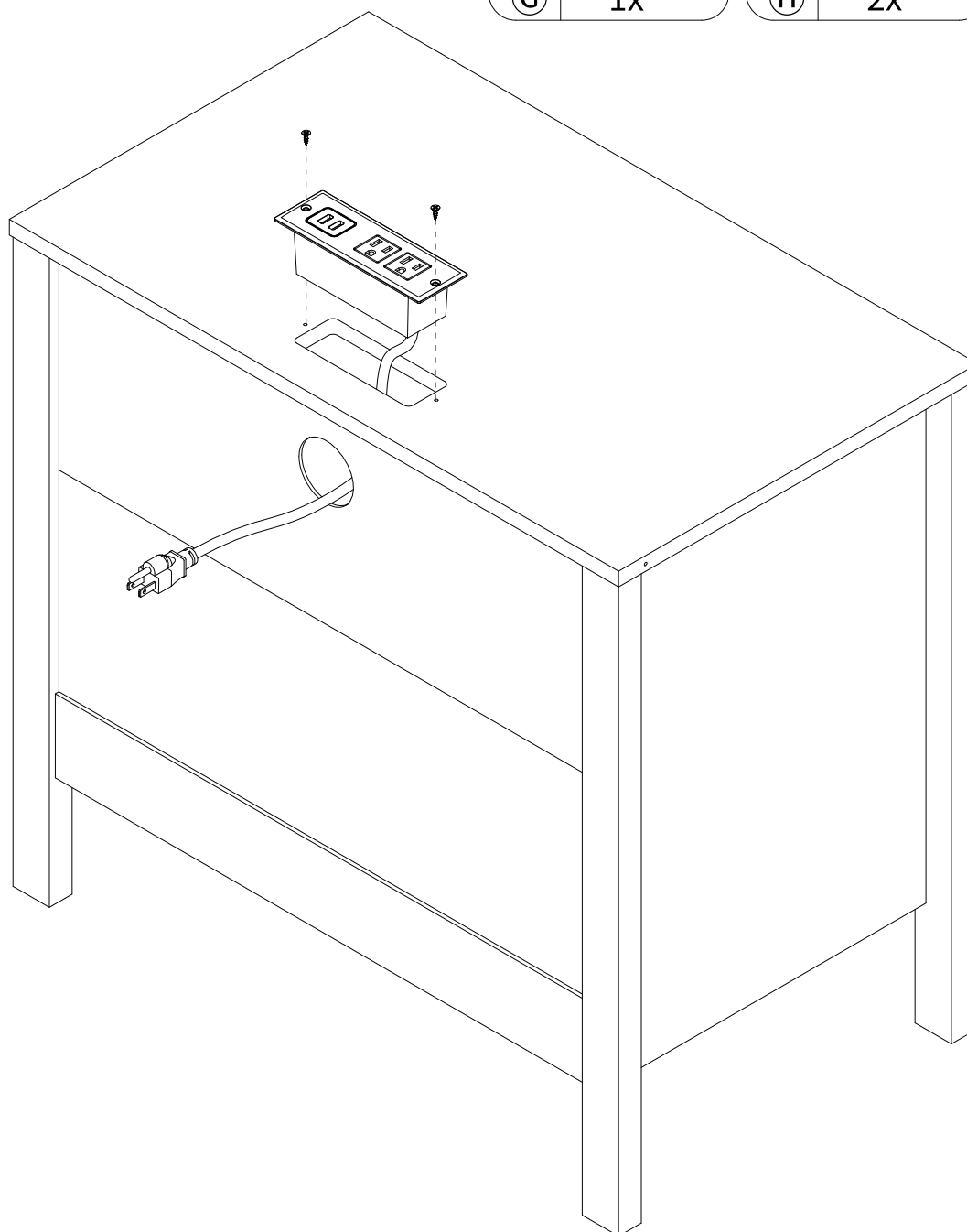
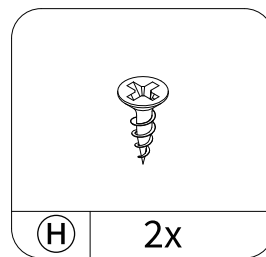
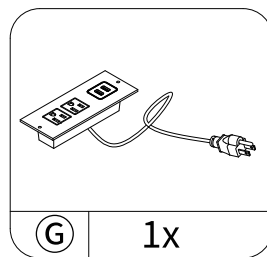
17

STEP 14



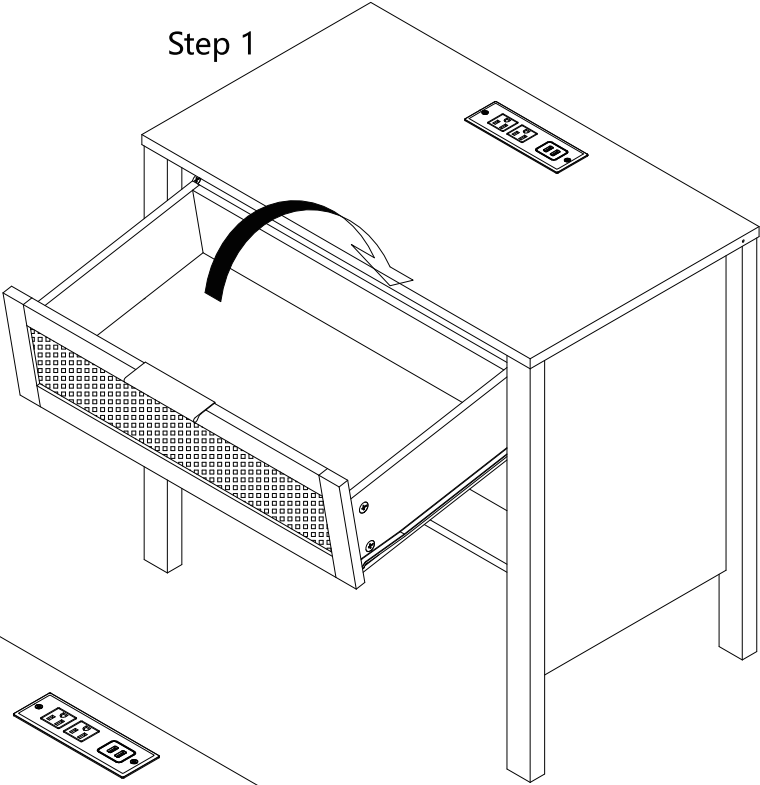
18

STEP 15

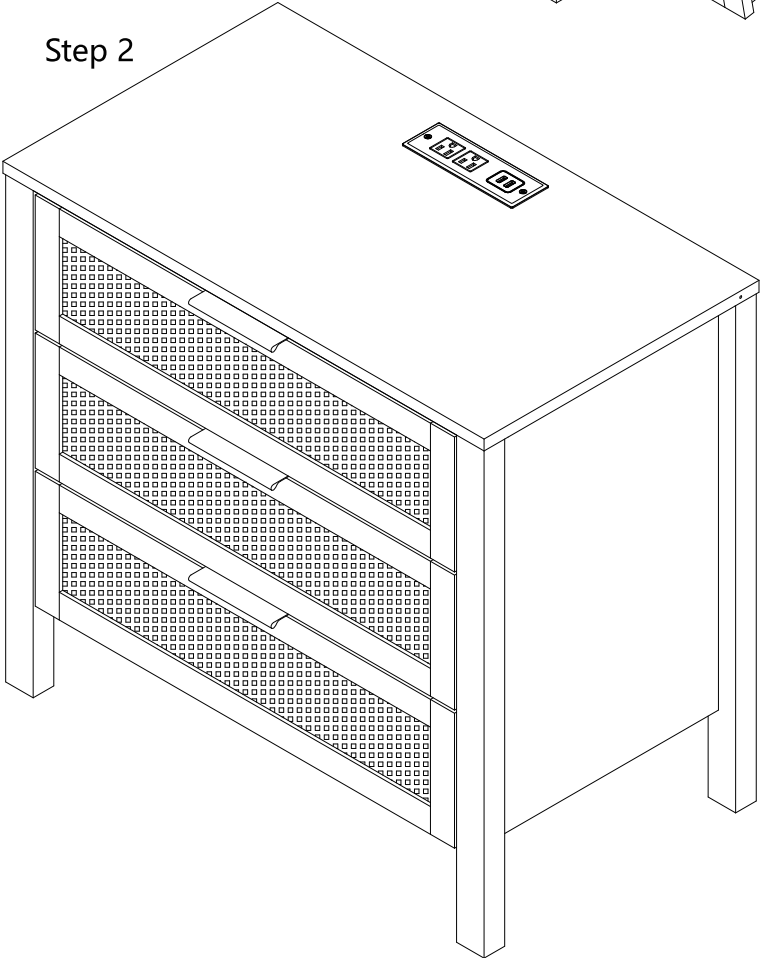


STEP 16

Step 1

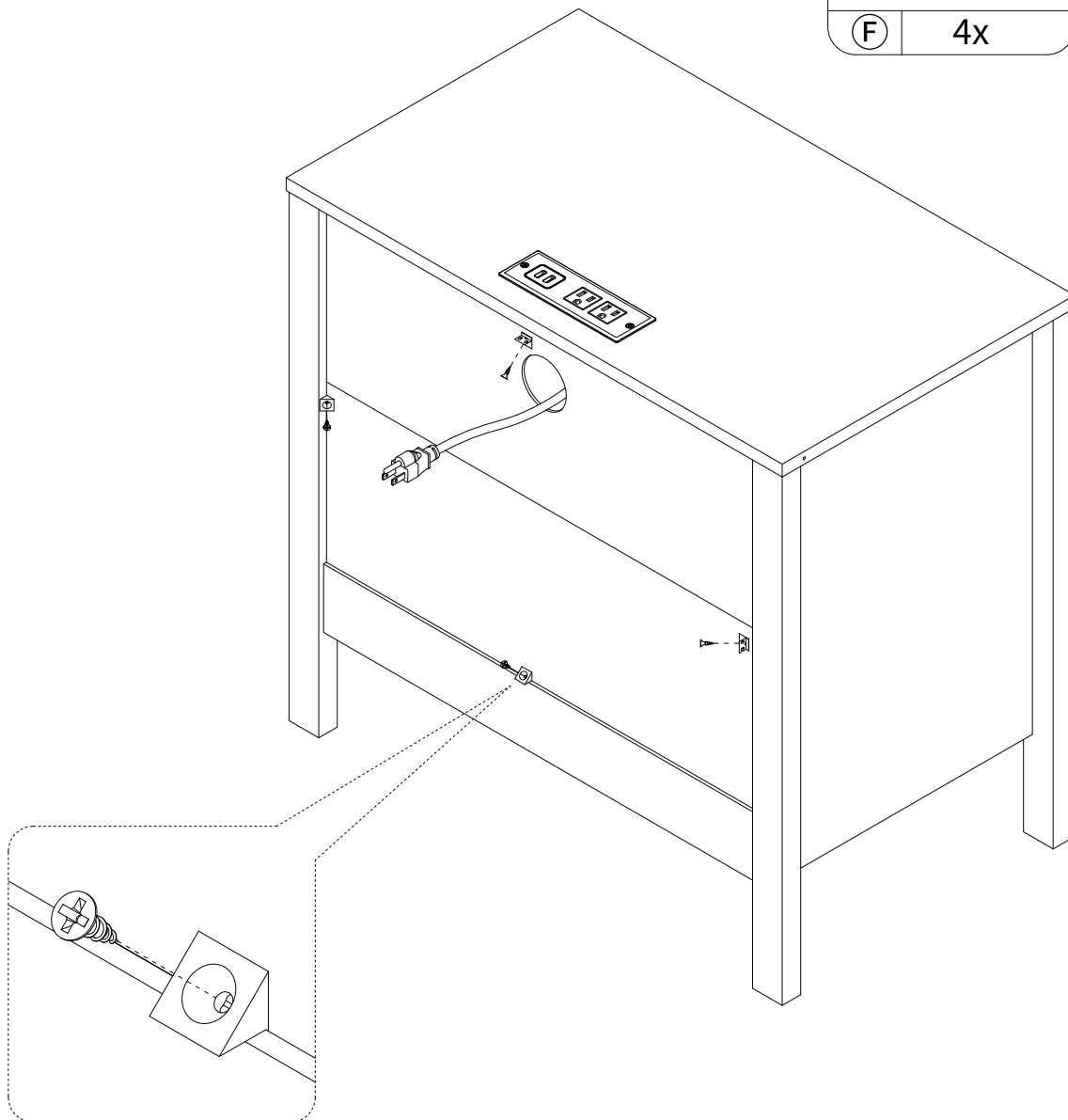
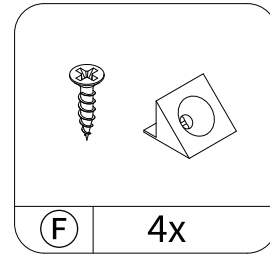


Step 2

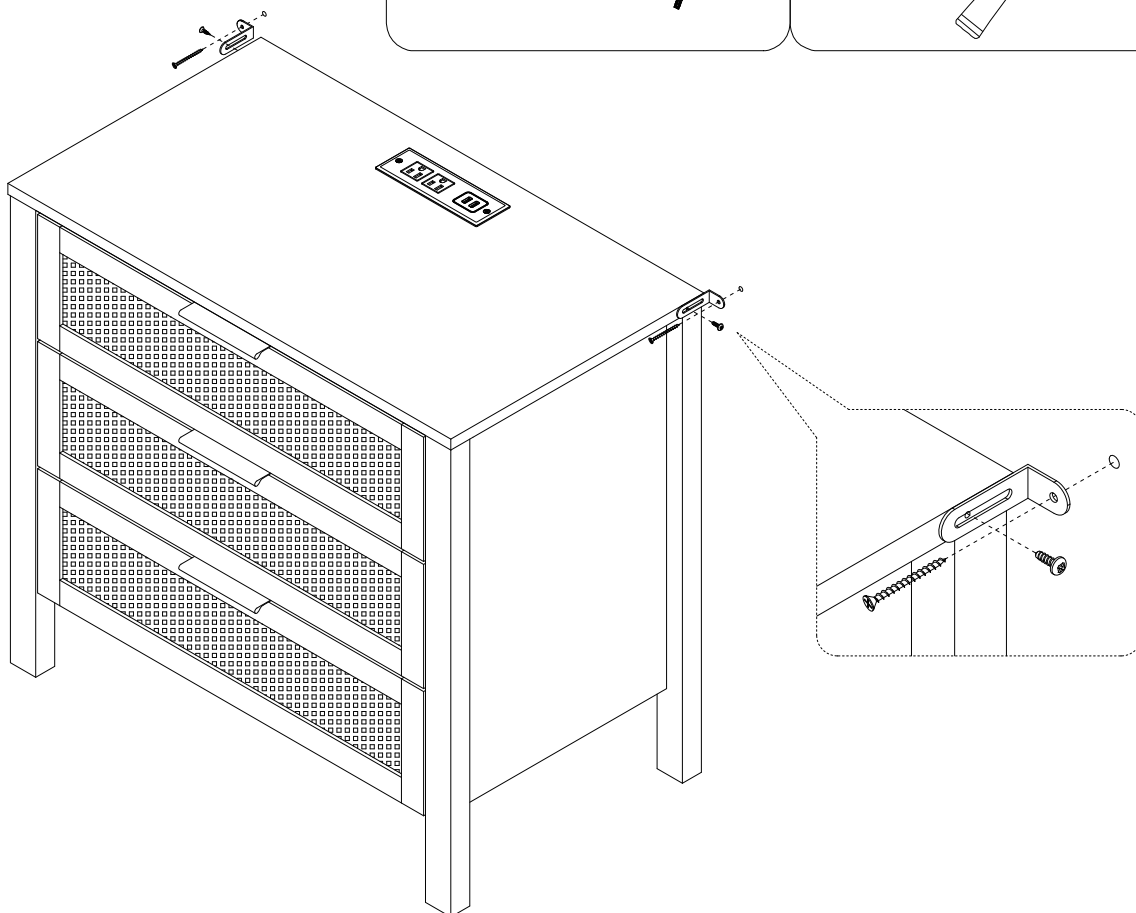
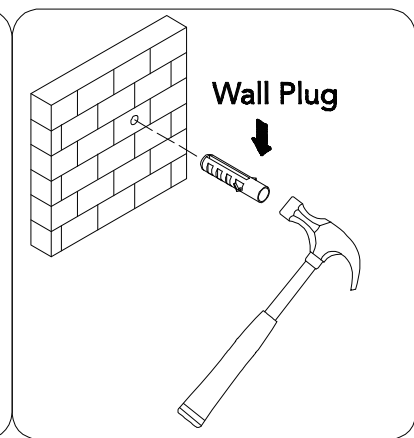
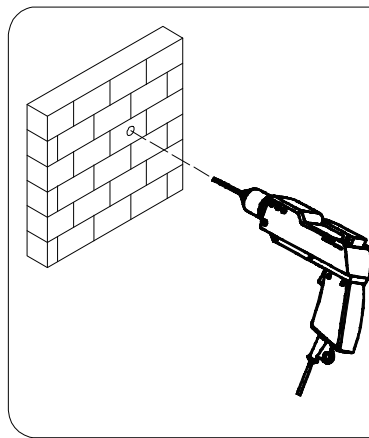
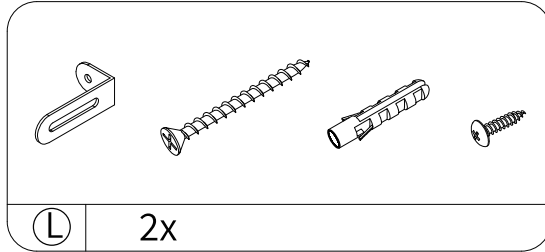


20

STEP 17



STEP 18



FCC statement:

This device complies with part 15 of the FCC Rules. Operation is subject to the following two conditions: (1) This device may not cause harmful interference, and (2) this device must accept any interference received, including interference that may cause undesired operation.

Note:

This equipment has been tested and found to comply with the limits for a Class B digital device, pursuant to part 15 of the FCC Rules. These limits are designed to provide reasonable protection against harmful interference in a residential installation. This equipment generates, uses and can radiate radio frequency energy and, if not installed and used in accordance with the instructions, may cause harmful interference to radio communications. However, there is no guarantee that interference will not occur in a particular installation. If this equipment does cause harmful interference to radio or television reception, which can be determined by turning the equipment off and on, the user is encouraged to try to correct the interference by one or more of the following measures:

- Reorient or relocate the receiving antenna.
- Increase the separation between the equipment and receiver.
- Connect the equipment into an outlet on a circuit different from that to which the receiver is connected.
- Consult the dealer or an experienced radio/TV technician for help.

Made in China