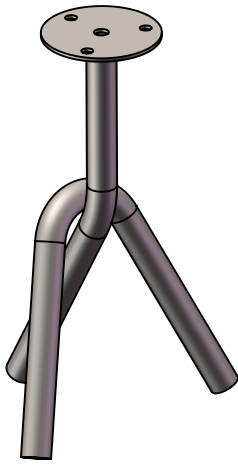


# Instruction

①



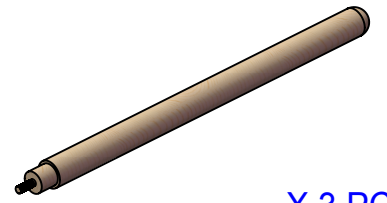
X 1 PC

②



X 1 PC

③

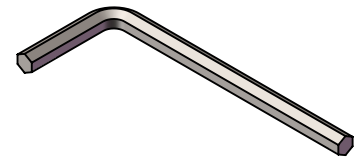


X 3 PCS

A

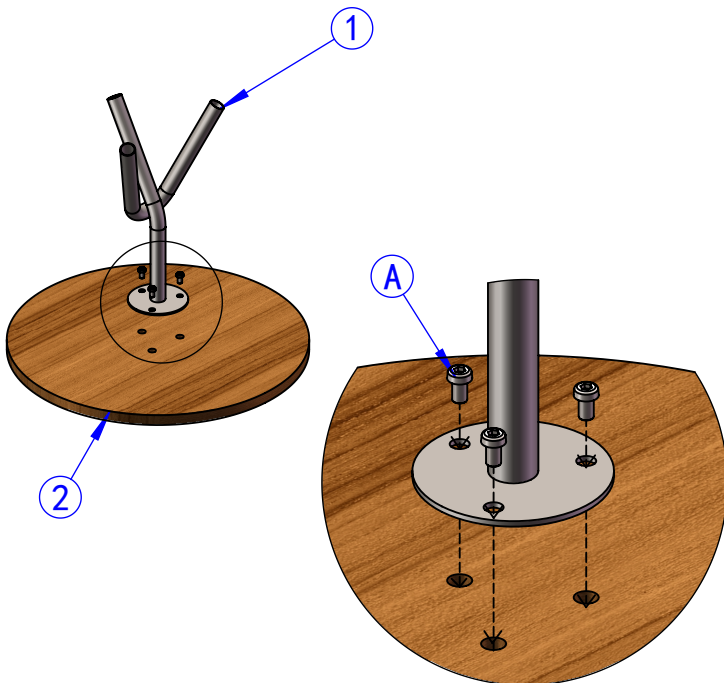


X 3 PCS



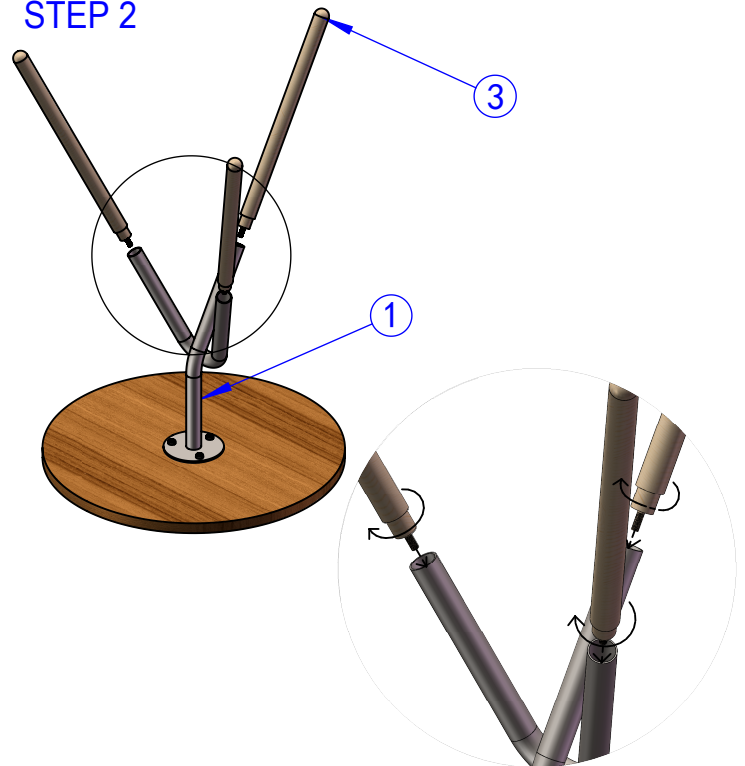
X 1 PC

STEP 1



As shown in the figure, place ② in a clean area and lock ① and ② together using A.

STEP 2



As shown in the figure, rotate ③ and tighten it together with ①.