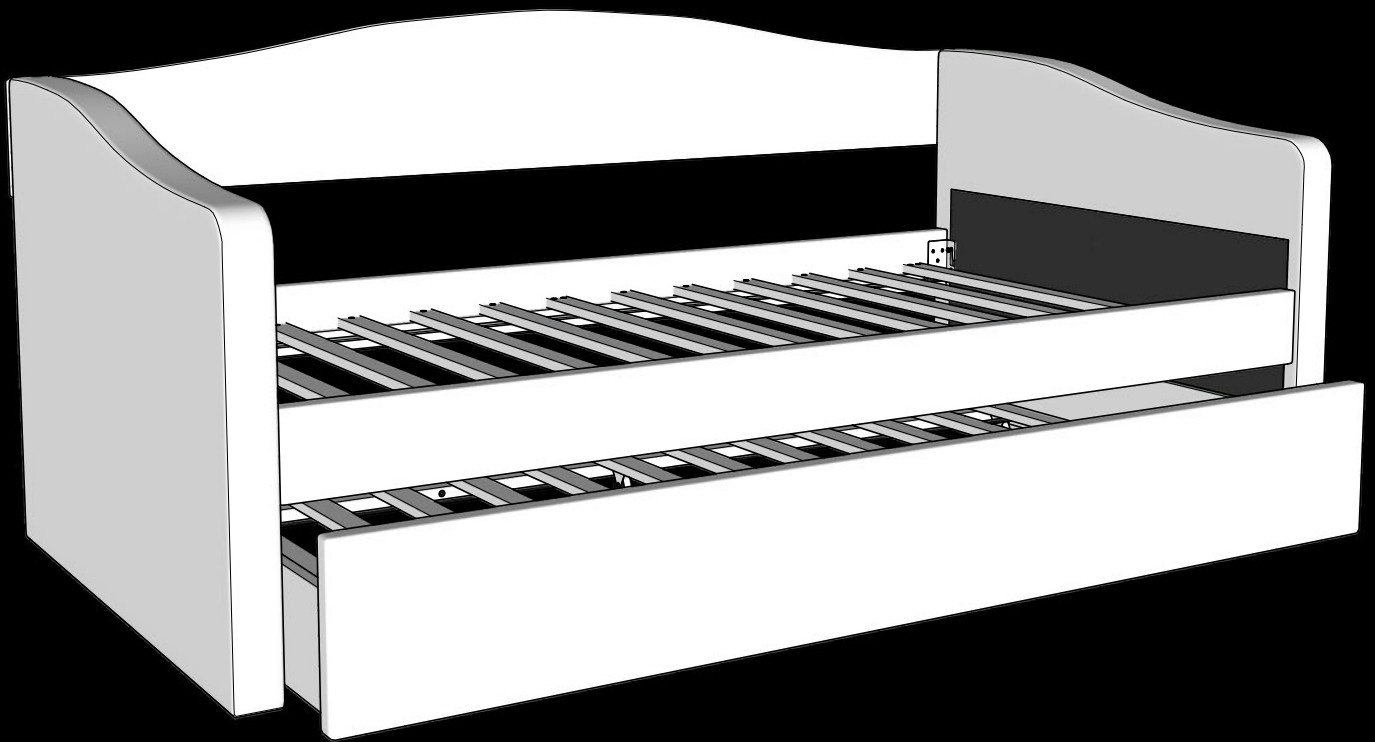


# ASSEMBLY INSTRUCTIONS





# IMPORTANT INFORMATION

Seller and Manufacturer disclaim all and any liability for property damage, personal injury, or loss, direct, indirect, or incidental, resulting from the incorrect assembly, inadequate maintenance, improper use, or neglect of this product.



## NOTICE

- Keep these assembly instructions for future reference.
- Do not use this product if there are missing, damaged, or broken parts until repairs are made and/or factory replacement parts are installed.
- Check all packing material carefully for small hardware that may have become loose inside the carton during shipment.
- Identify and count all hardware and parts to compare with parts and hardware list.
- Follow assembly instructions closely. Improper assembly can result in personal or property damage.
- Secure all bolts before use.
- Every 90 days check all bolts are secured.
- Some parts may have a sharp corner or edge and maybe heavy.
- Do not use or store this product near open flames or around flammable chemicals.
- When placing contents on non-carpeted flooring, it's recommended to use floor protection such as an area rug or furniture pads. These are not included with the purchase.
- Do not drag or push the bed frame. To ensure safe moving, always use two people to lift and re-position the bedframe. Avoid dragging or pushing it across the floor to prevent damage to the legs, slats, and the center support legs.

## REPLACEMENT PART OR HARDWARE REQUEST:

Request a replacement by logging into the marketplace account in which the purchase was made and sending a message to the seller. To assist in expediting the request attach applicable images relevant to the request and/or part number and quantity.

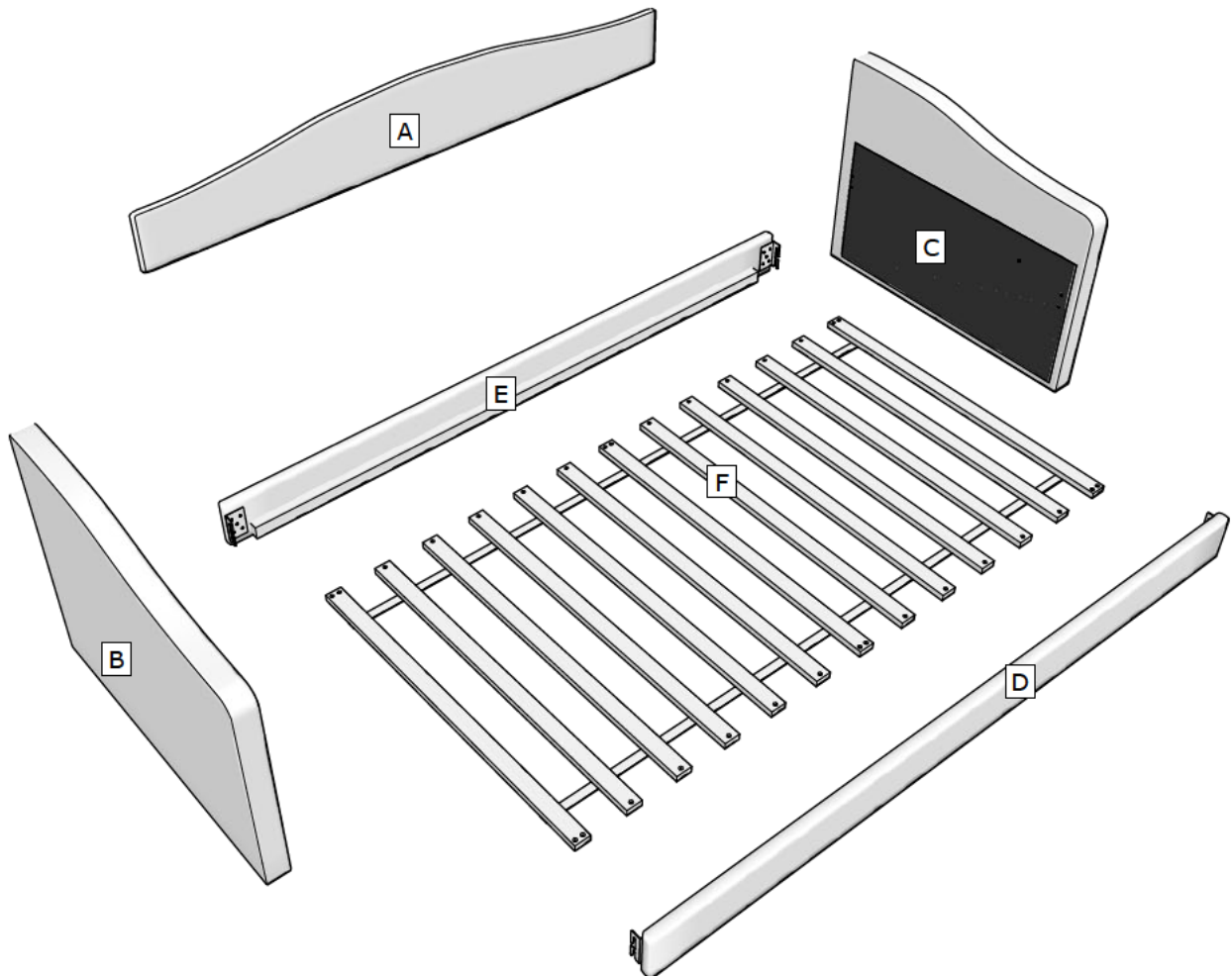
## ADDITIONAL TOOL REQUIRED:



**#2 Philips Screwdriver  
(Not Provided)**

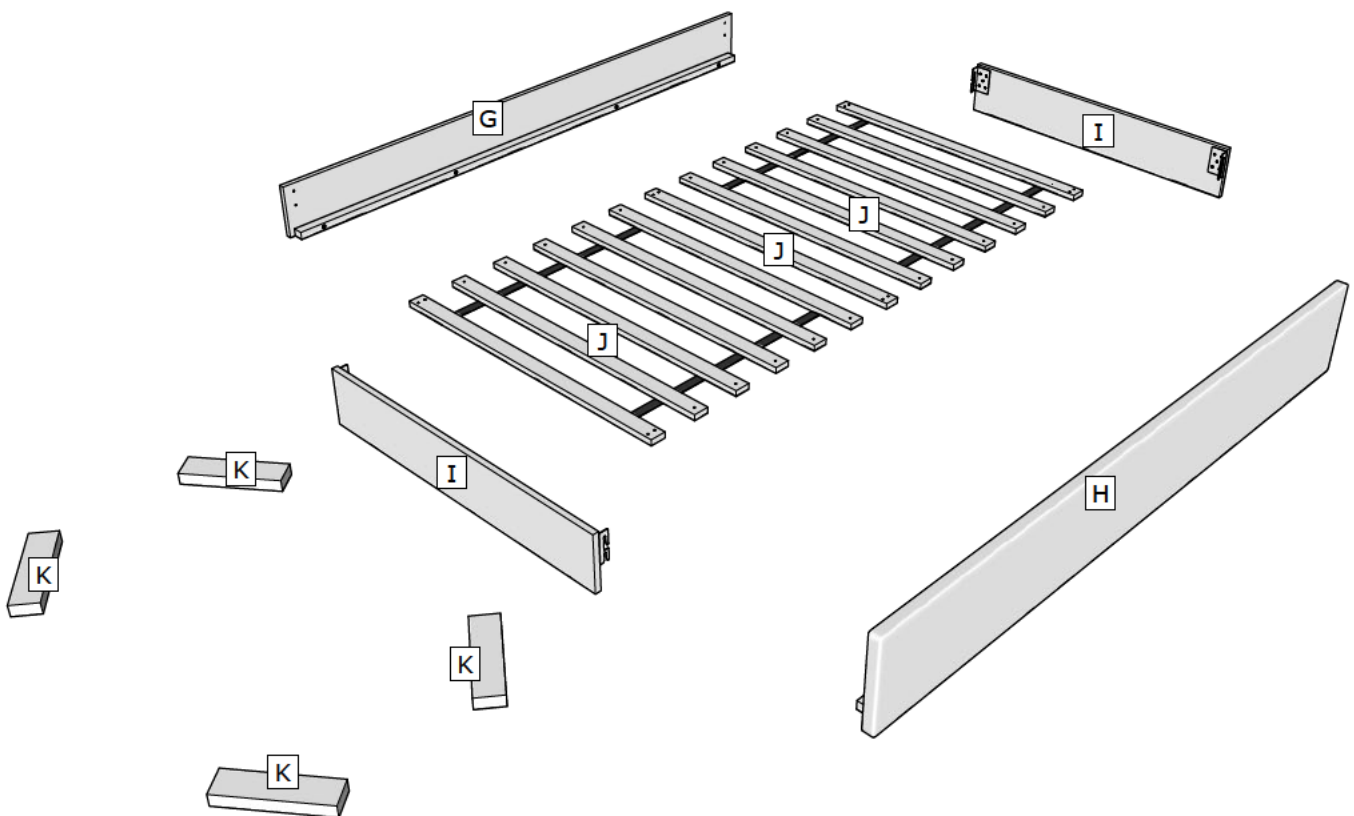
# DAYBED PARTS

- A..... Backrest ..... x 1
- B..... Side Panel Left ..... x 1
- C..... Side Panel Right ..... x 1
- D..... Front Rail (PU) ..... x 1
- E..... Back Rail ..... x 1
- F..... Bed Slat ..... x 13





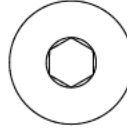
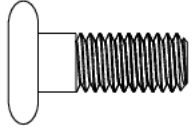
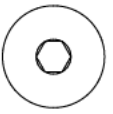
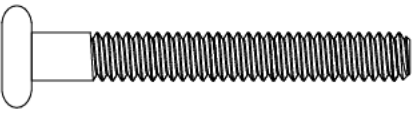
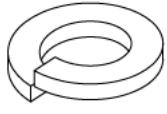
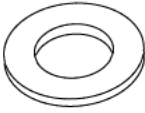





# TRUNDLE PARTS


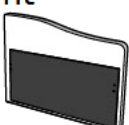



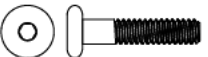
- G.....Trundle Back Panel ..... x 1
- H.....Trundle Front Panel..... x 1
- I .....Trundle Side Panel ..... x 2
- J .....Trundle Slat ..... x 13
- K.....Wooden Block ..... x 4

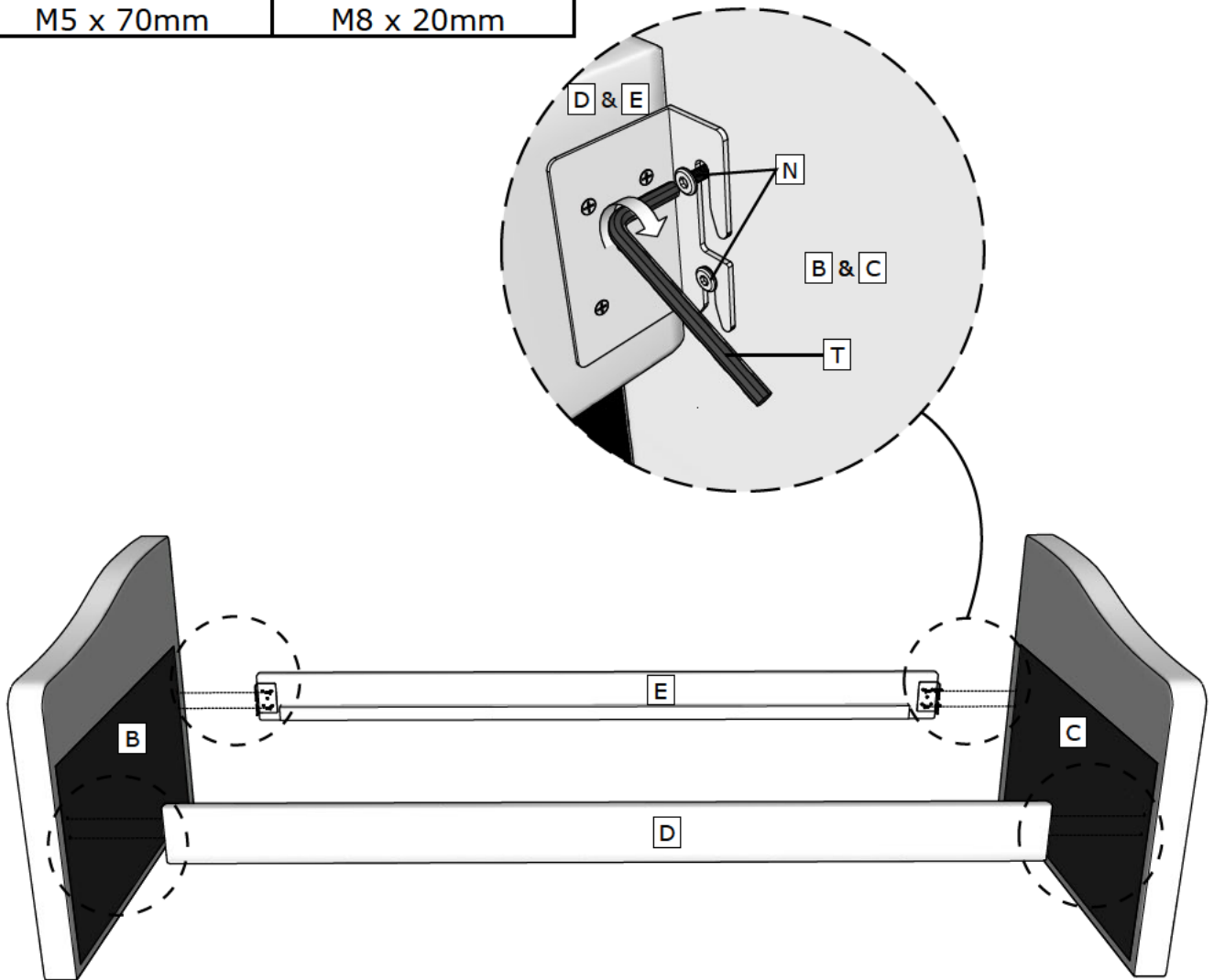


# HARDWARE

<p><b>L</b> Screw x 64   M4 x 32mm</p>	<p><b>M</b> Screw x 24   M4 x 16mm</p>	<p><b>N</b> Bolt x 16   M8 x 20mm</p>
<p><b>O</b> Bolt x 4   M6 x 50mm</p>		<p><b>P</b> Spring Washer x 4  M6</p>
<p><b>Q</b> Flat Washer x 4  M6</p>	<p><b>R</b> Caster Wheel x 6 </p>	<p><b>S</b> Hex Key Wrench x 1  M4 x 65mm</p>
<p><b>T</b> Hex Key Wrench x 1  M5 x 70mm</p>		






# ASSEMBLY STEP 1

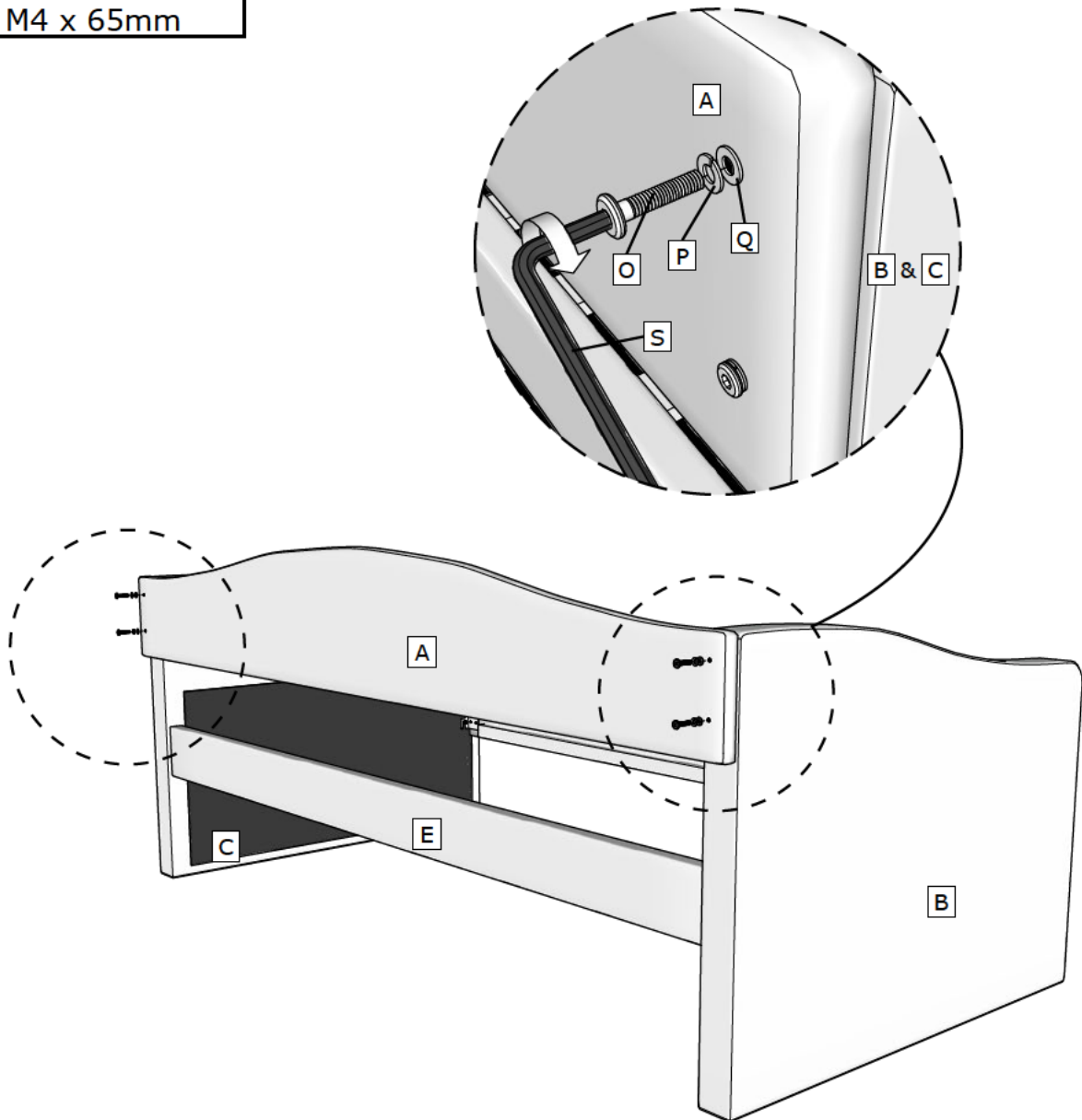
<b>B</b> Side Panel Left x1 	<b>C</b> Side Panel Right x1 	<b>D</b> Front Rail (PU) x1 	<b>E</b> Back Rail x1 
<b>T</b> Hex Key Wrench x1  M5 x 70mm	<b>N</b> Bolt x8  M8 x 20mm		



Attach **B** and **C** to **D** and **E** with **N** using a Hex Key Wrench **T** as shown.  
Do not tighten Bolts just Yet.

# ASSEMBLY STEP 2

<b>A</b> Backrest x1 	<b>O</b> Bolt x4  M6 x 50mm	<b>P</b> Spring Washer x4  M6	<b>Q</b> Flat Washer x4  M6
<b>S</b> Hex Key Wrench x1  M4 x 65mm			



Attach **A** to **B** and **C** with **O**, **P**, and **Q** using a Hex Key Wrench **S** as shown.  
Tighten all bolts.

# ASSEMBLY STEP 3

**F** Bed Slat

x13



**L** Screw

x32

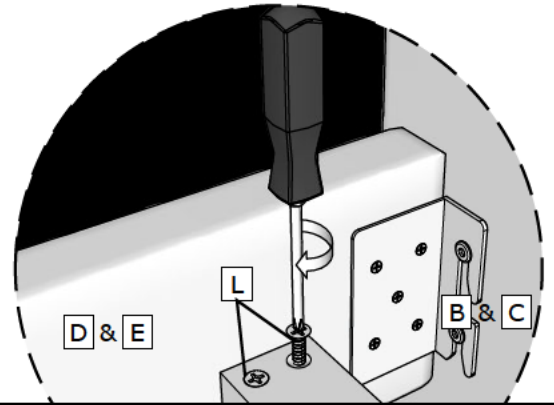
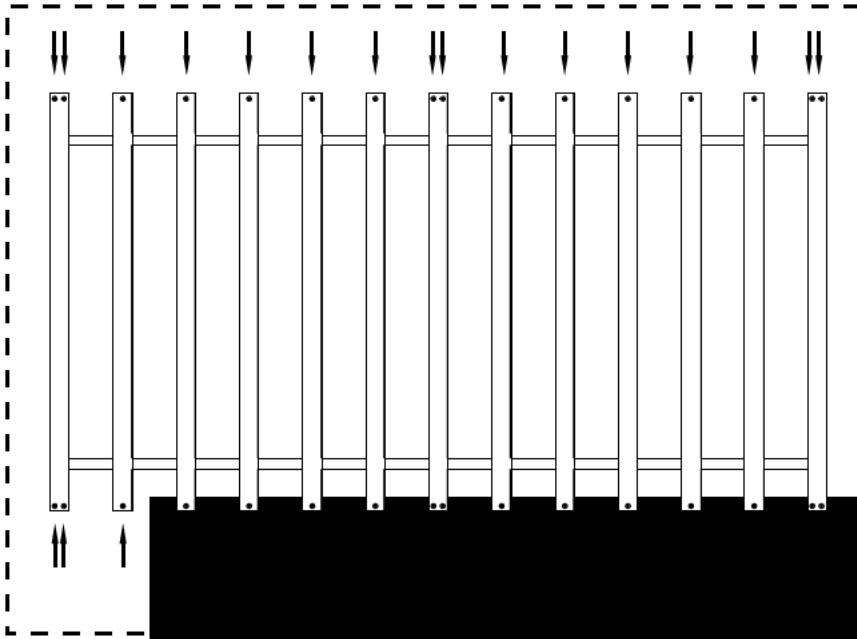


M4 x 32mm

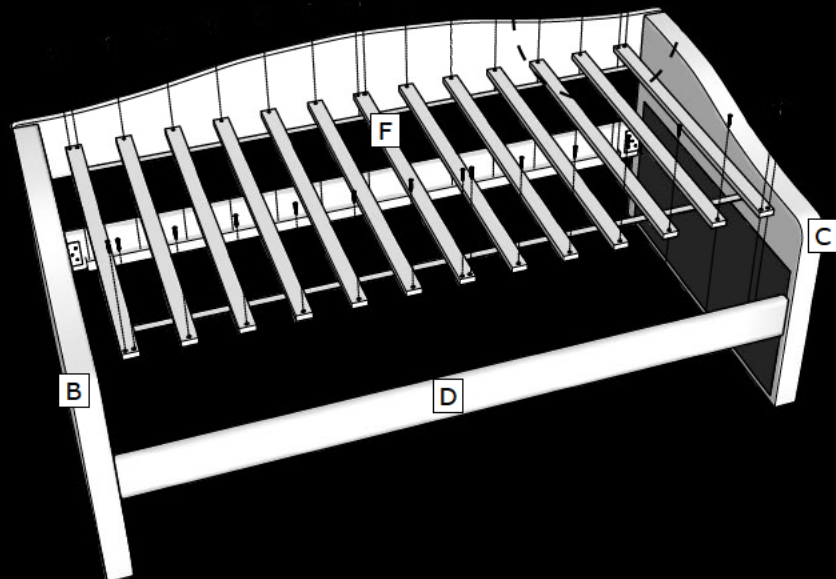
Philips Screwdriver



Not provided







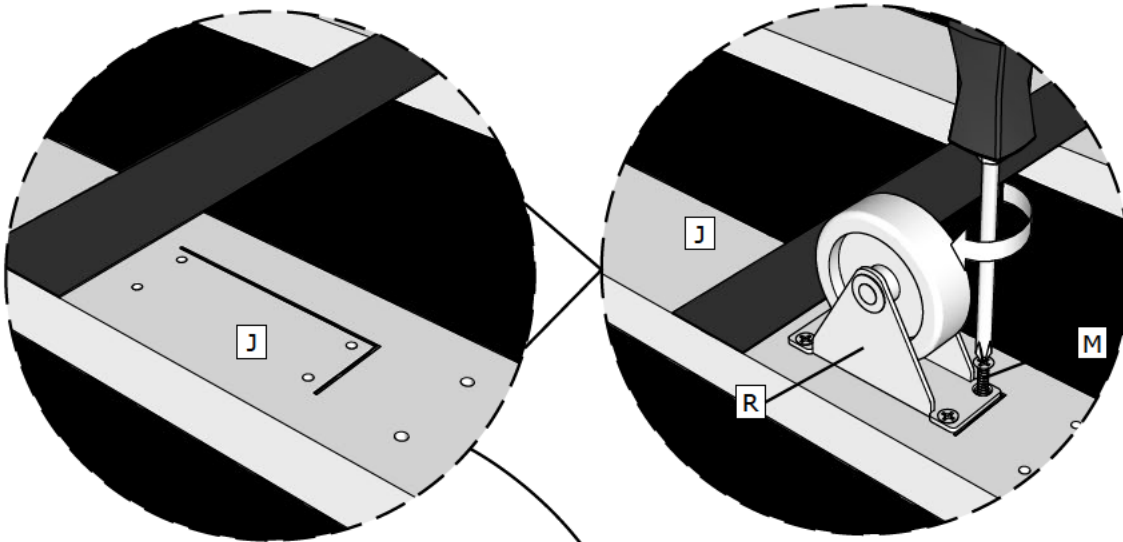
**F**



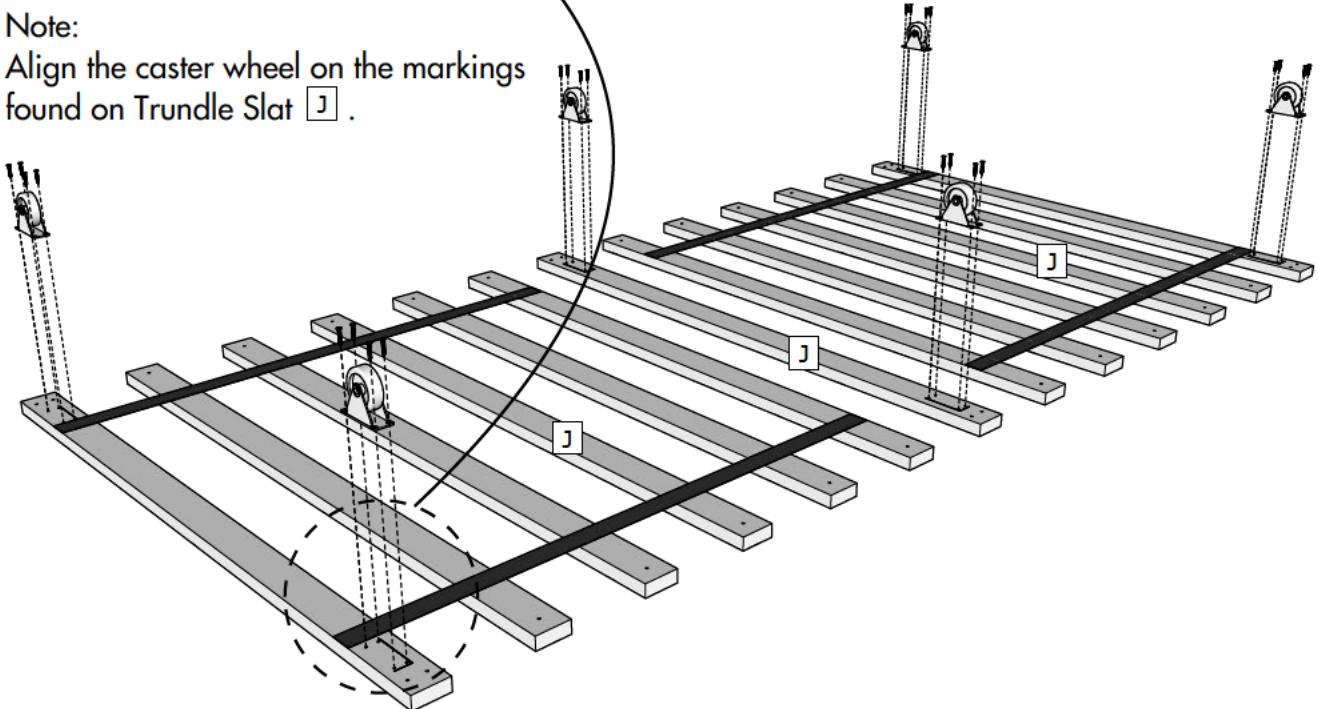
Attach **F** to Assembled Daybed with **L** using a Philips Screwdriver as shown.

# ASSEMBLY STEP 4

<b>J</b> Trundle Slat x13 	<b>R</b> Caster Wheel x6 	<b>M</b> Screw x24  M4 x 16mm	Philips Screwdriver  Not provided
--	---	---	--








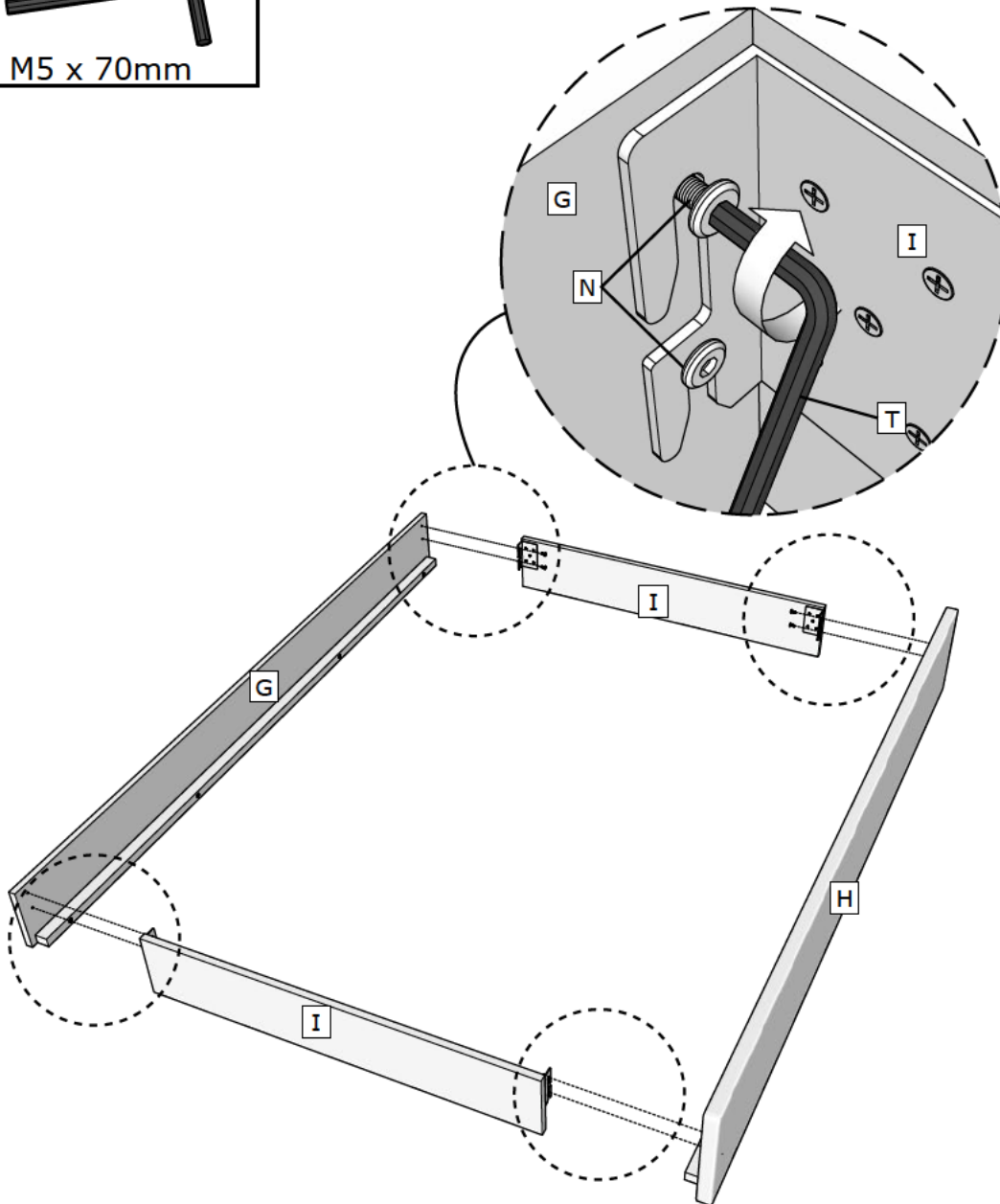
Note:  
Align the caster wheel on the markings found on Trundle Slat **J**.



Attach **R** to **J** with **M** using a Philips Screwdriver as shown.

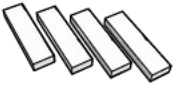


# ASSEMBLY STEP 5

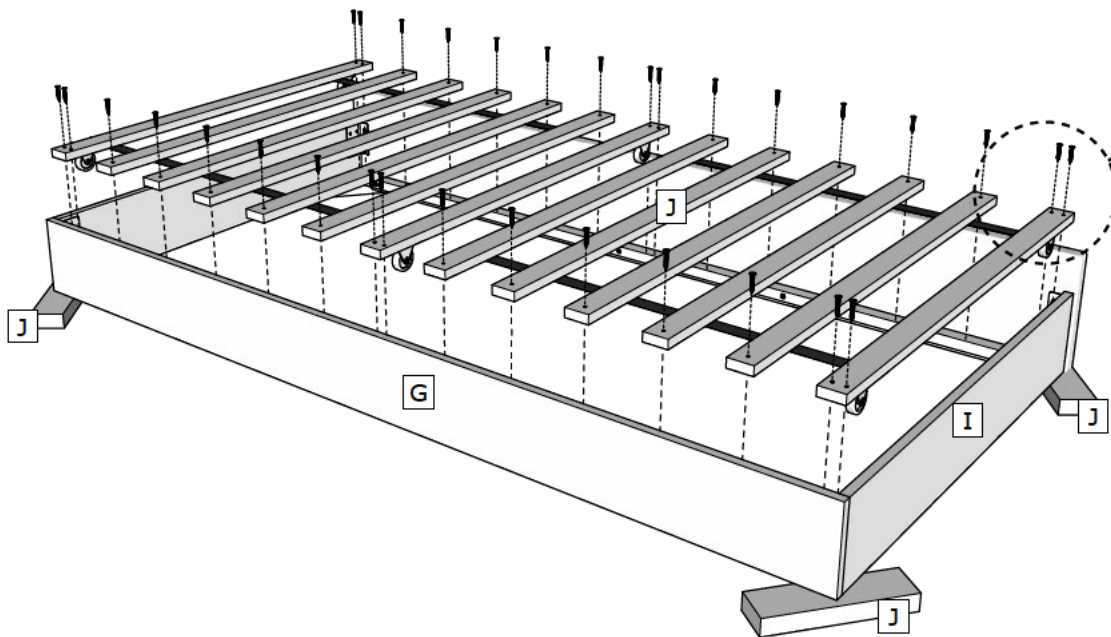
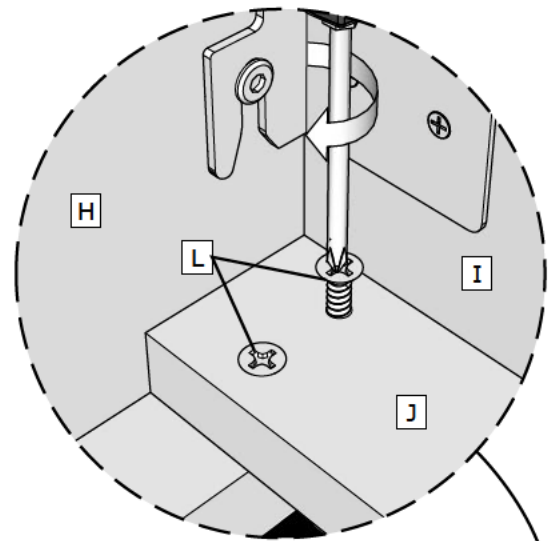
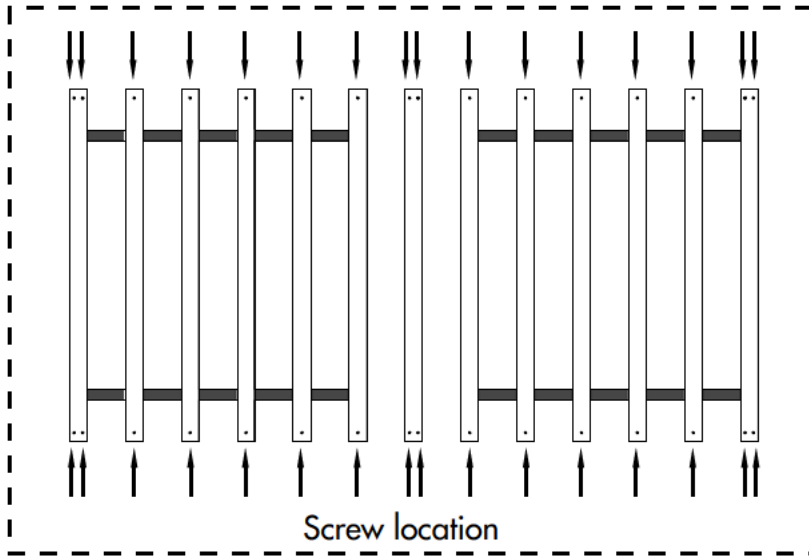
<b>G</b> Trundle Back Panel x1 	<b>H</b> Trundle Front Panel x1 	<b>I</b> Trundle Side Panel x2 	<b>N</b> Bolt x8  M8 x 20mm
<b>T</b> Hex Key Wrench x1  M5 x 70mm			



Attach **G** and **H** to **I** with **N** using a Hex Key Wrench **T** as shown.

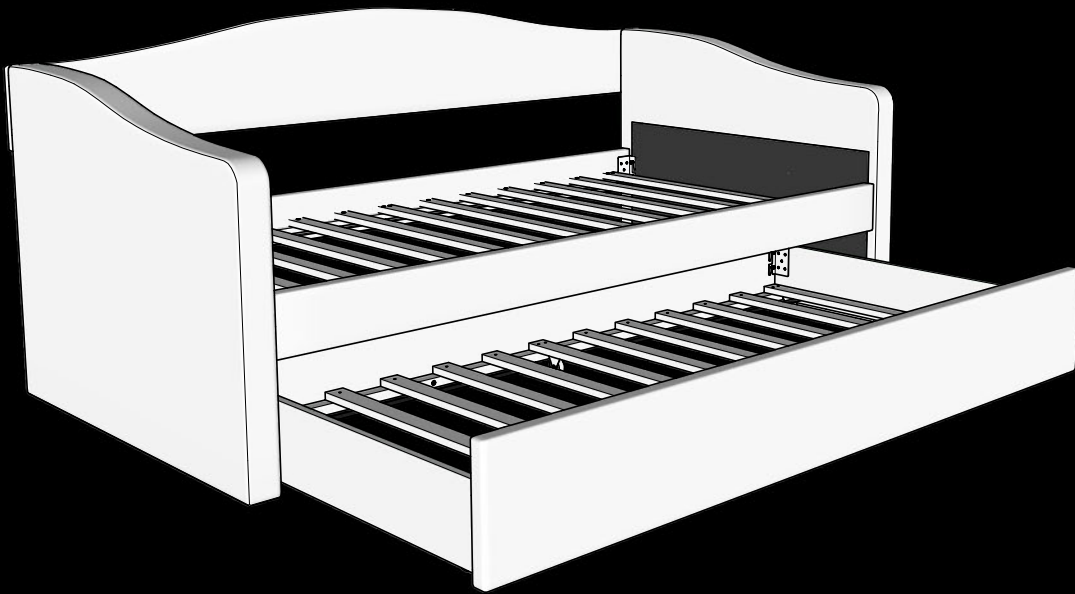
# ASSEMBLY STEP 6

<b>J</b> x4 Wooden Block 	<b>L</b> x32 Screw ⊕ M4 x 32mm 	Philips Screwdriver  Not provided
---	---	---



Attach Assembled Trundle Slat to Assembled Trundle Frame with **L** using a Philips Screwdriver and support with **J** as shown.

# ASSEMBLY STEP 7



Insert Assembled Trundle to Assembled Daybed as shown.