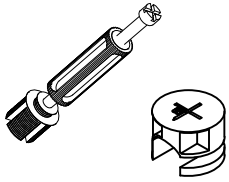
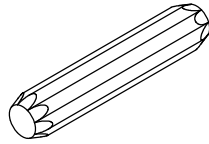


A

16PCS

B

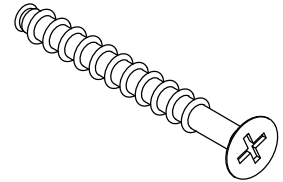
8*40



4PCS

C

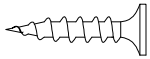
7*50



4PCS

D

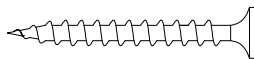
3.5*14



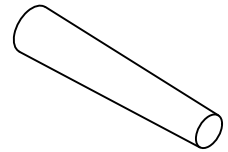
36PCS

E

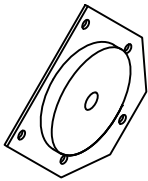
3.5*35



8PCS

F

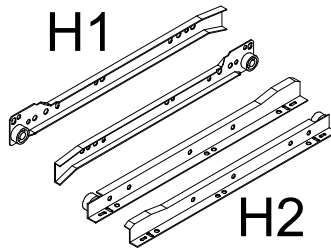
4PCS

G

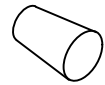
4PCS

H

250mm



2PCS

I

2PCS

J

4*20



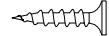
2PCS

K

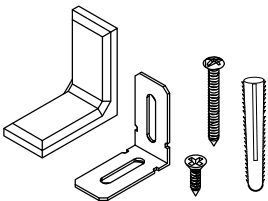
6PCS

L

3*12



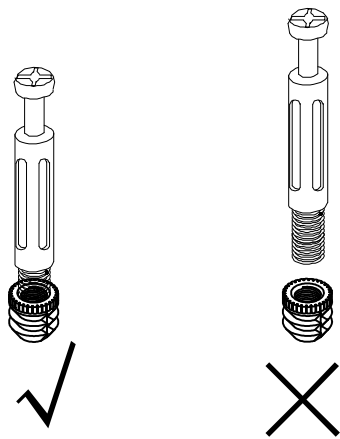
6PCS

M

1PCS

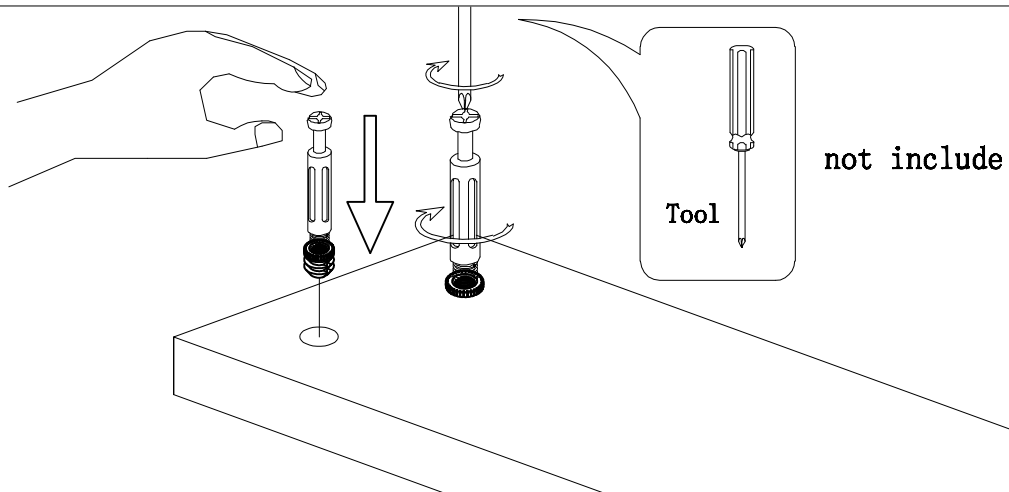
"A" Hardware installation example

I

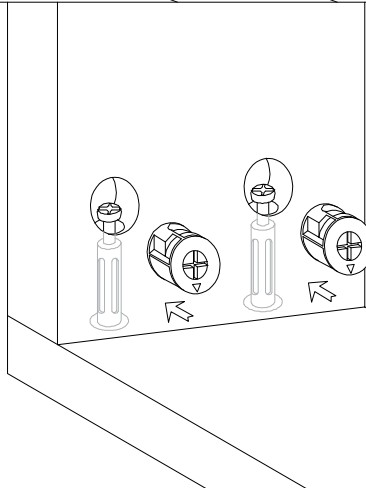


This part cannot be separated,
please install in strict
accordance with the assembly
requirements

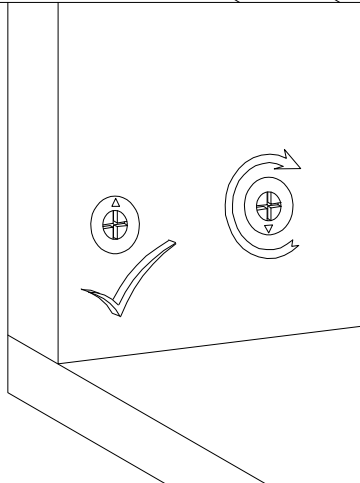
II



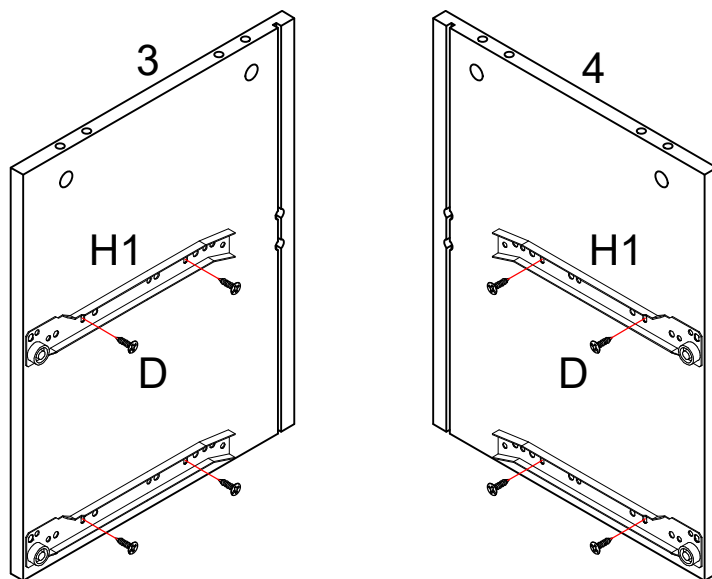
III

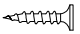
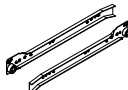


IV

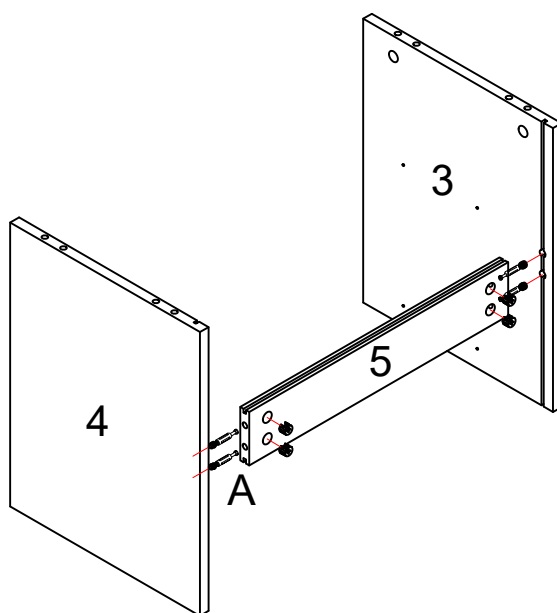



STEP 1



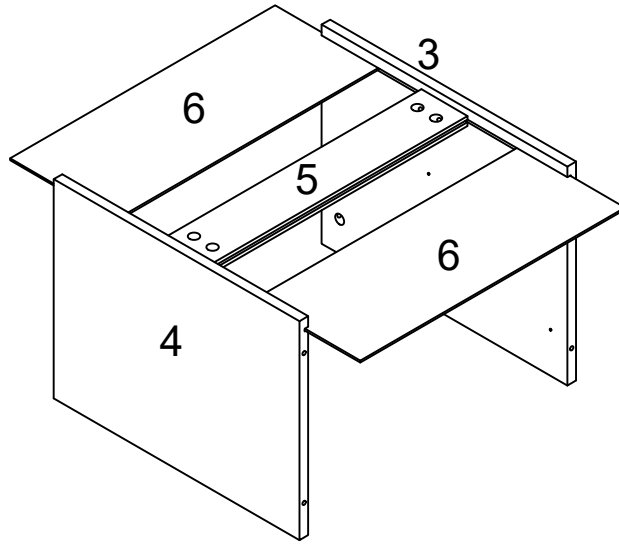
	D*8
	H1*2

STEP 2

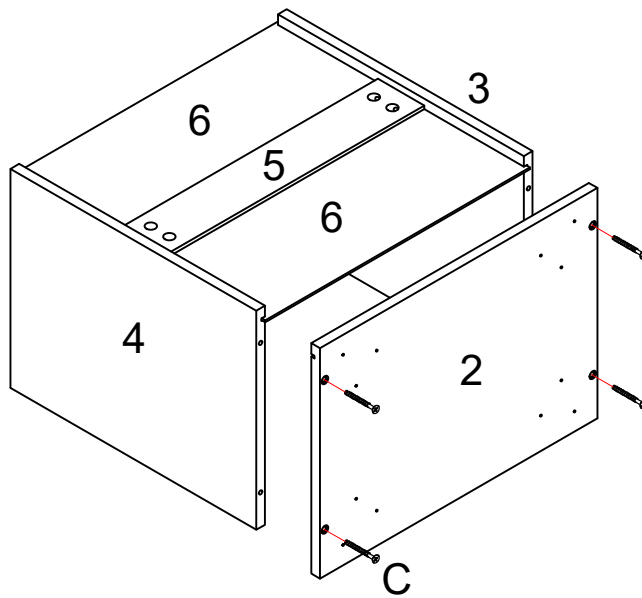


	A*4
---	-----

STEP 3

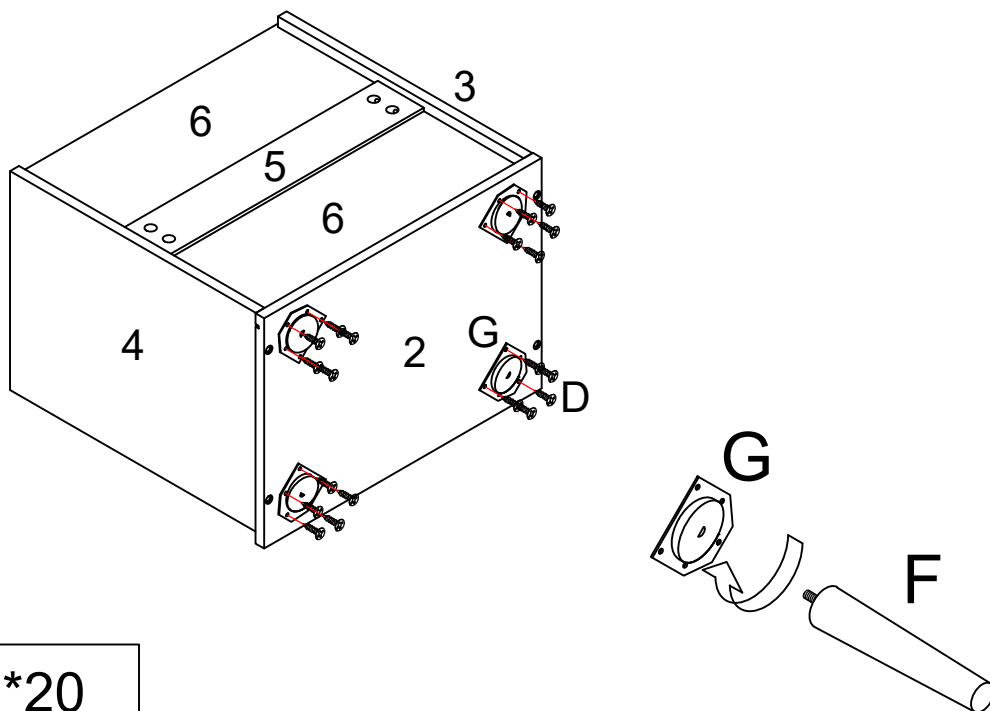


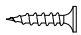
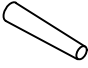

STEP 4



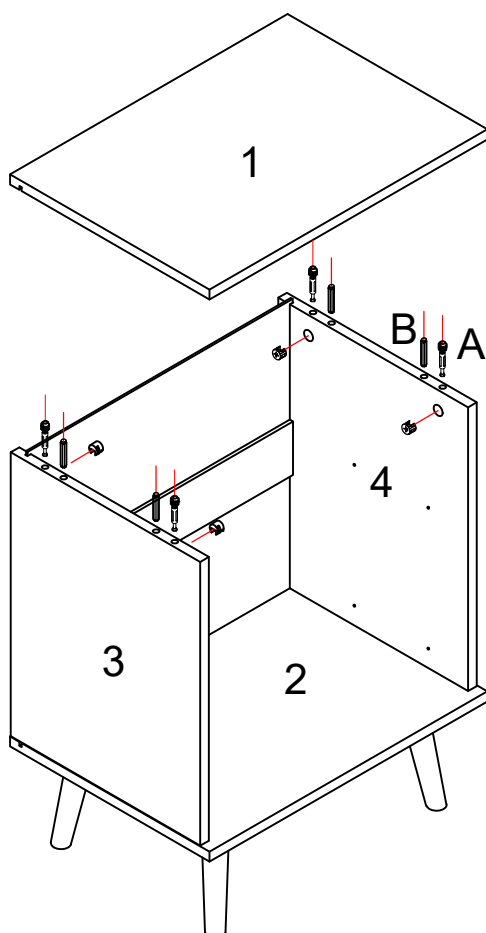
C*4


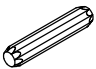
STEP 5



	D*20
	F*4
	G*4

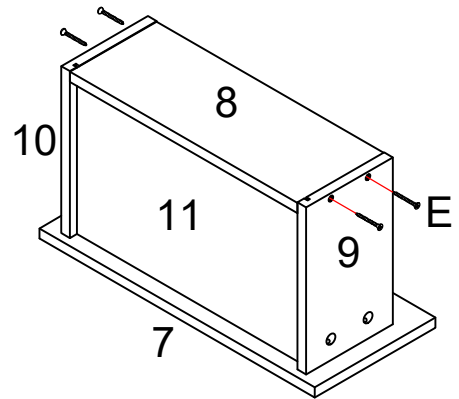
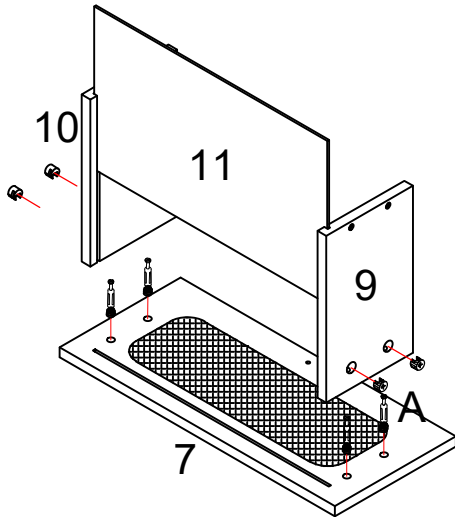
STEP 6


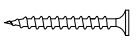


	A*4
	B*4

STEP 7

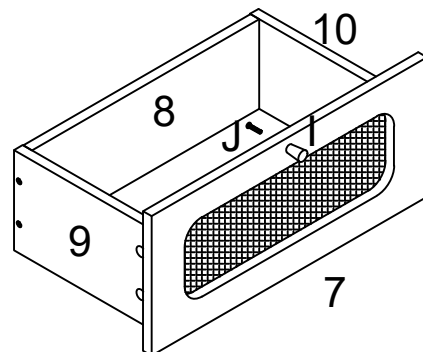
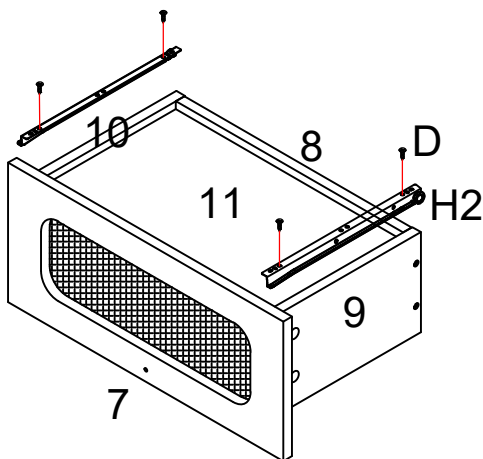
X2

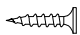
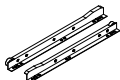




	A*8
	E*8

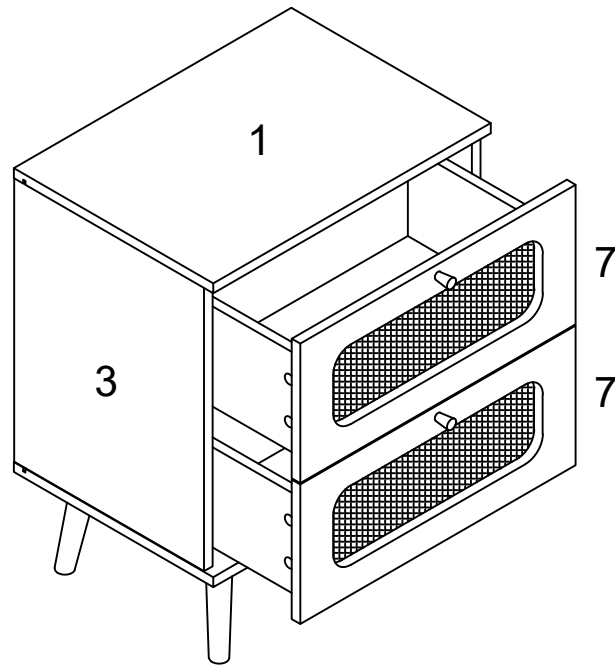
STEP 8

X2

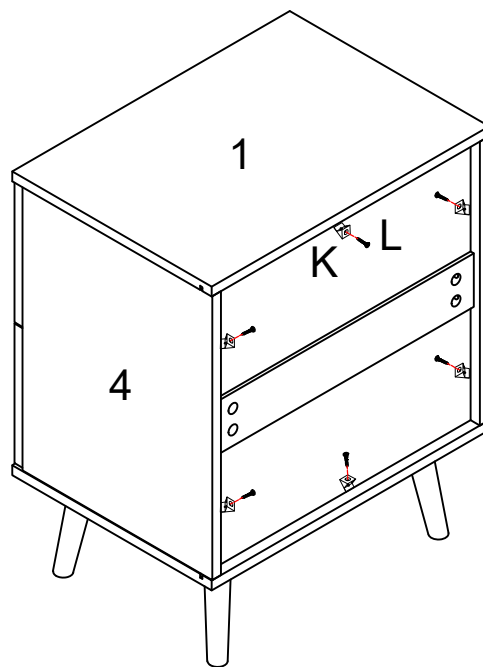


	D*8
	H2*2
	I*2
	J*2

STEP 9



STEP 10

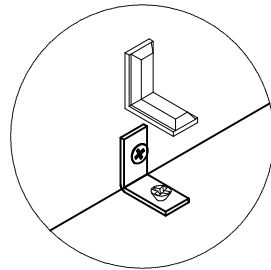
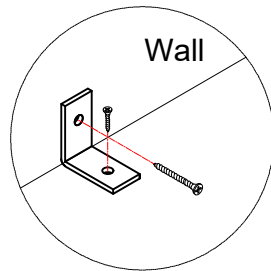
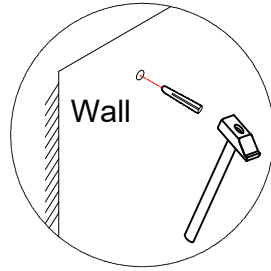
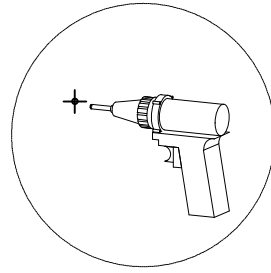
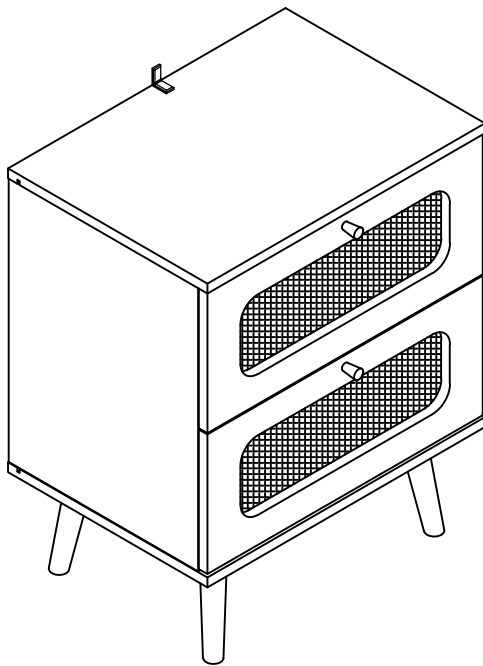


K*6



L*6

STEP 11



Please install tip-proof fitting.



M*1