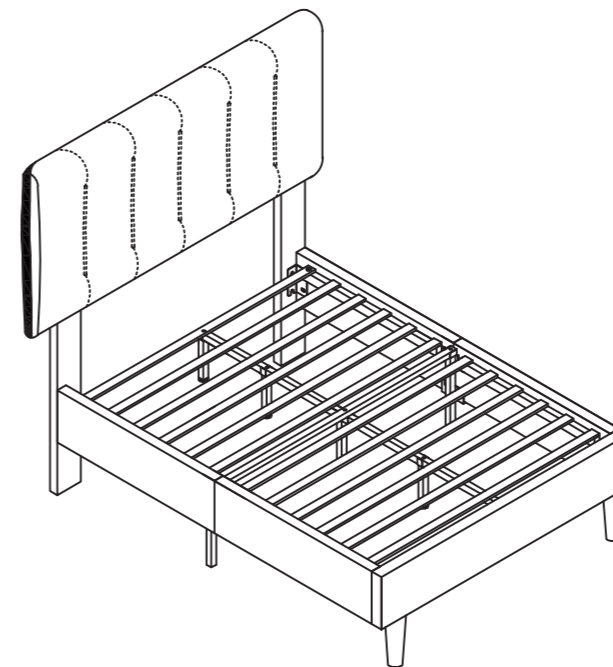
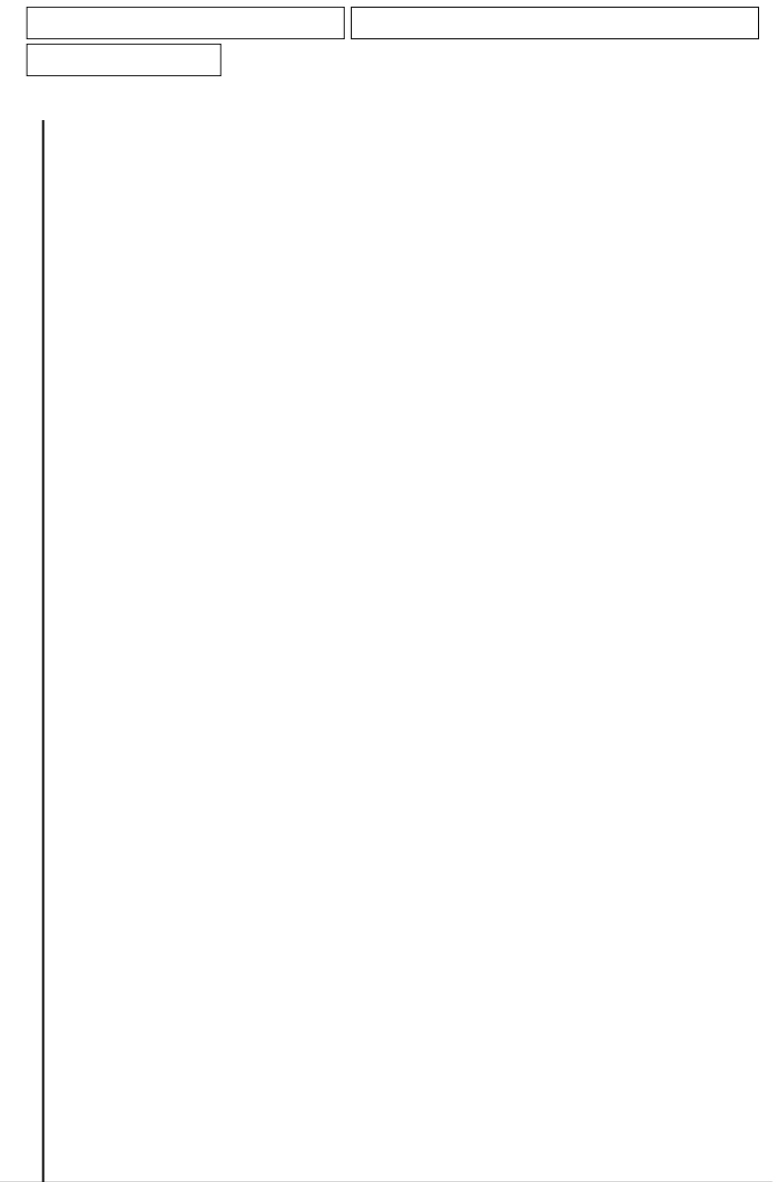
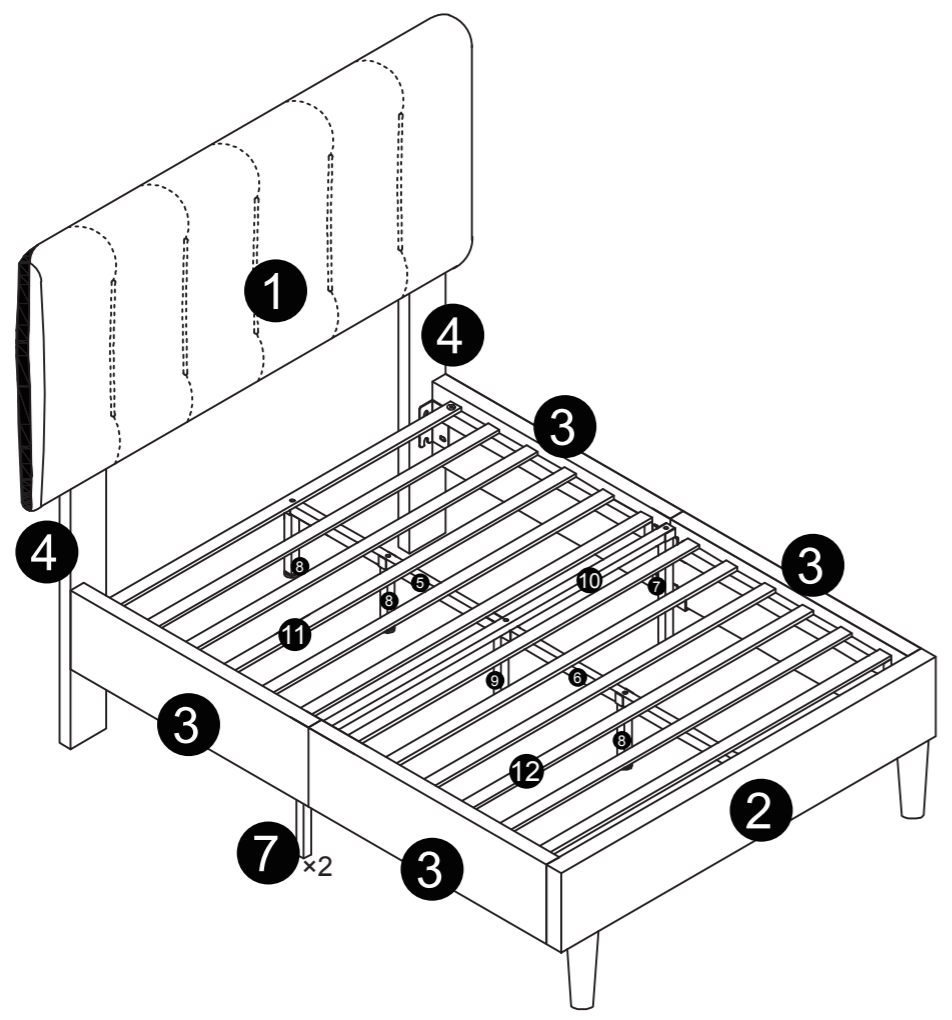
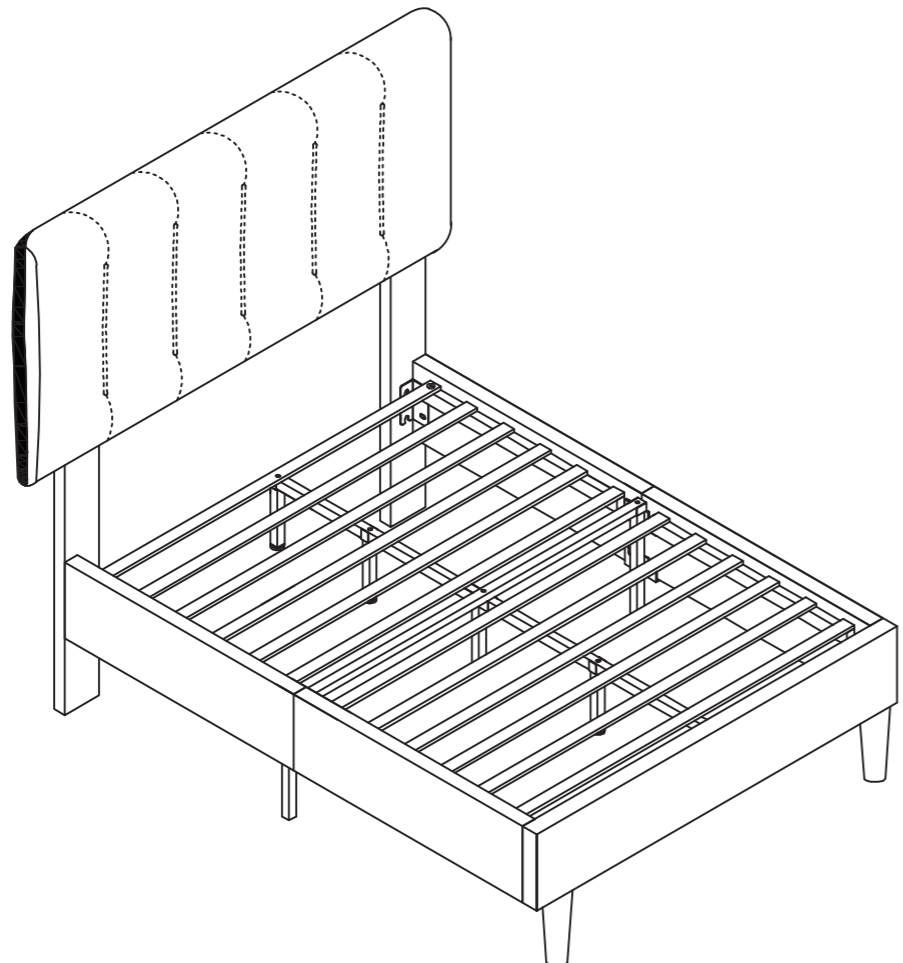


## Bed-Frame

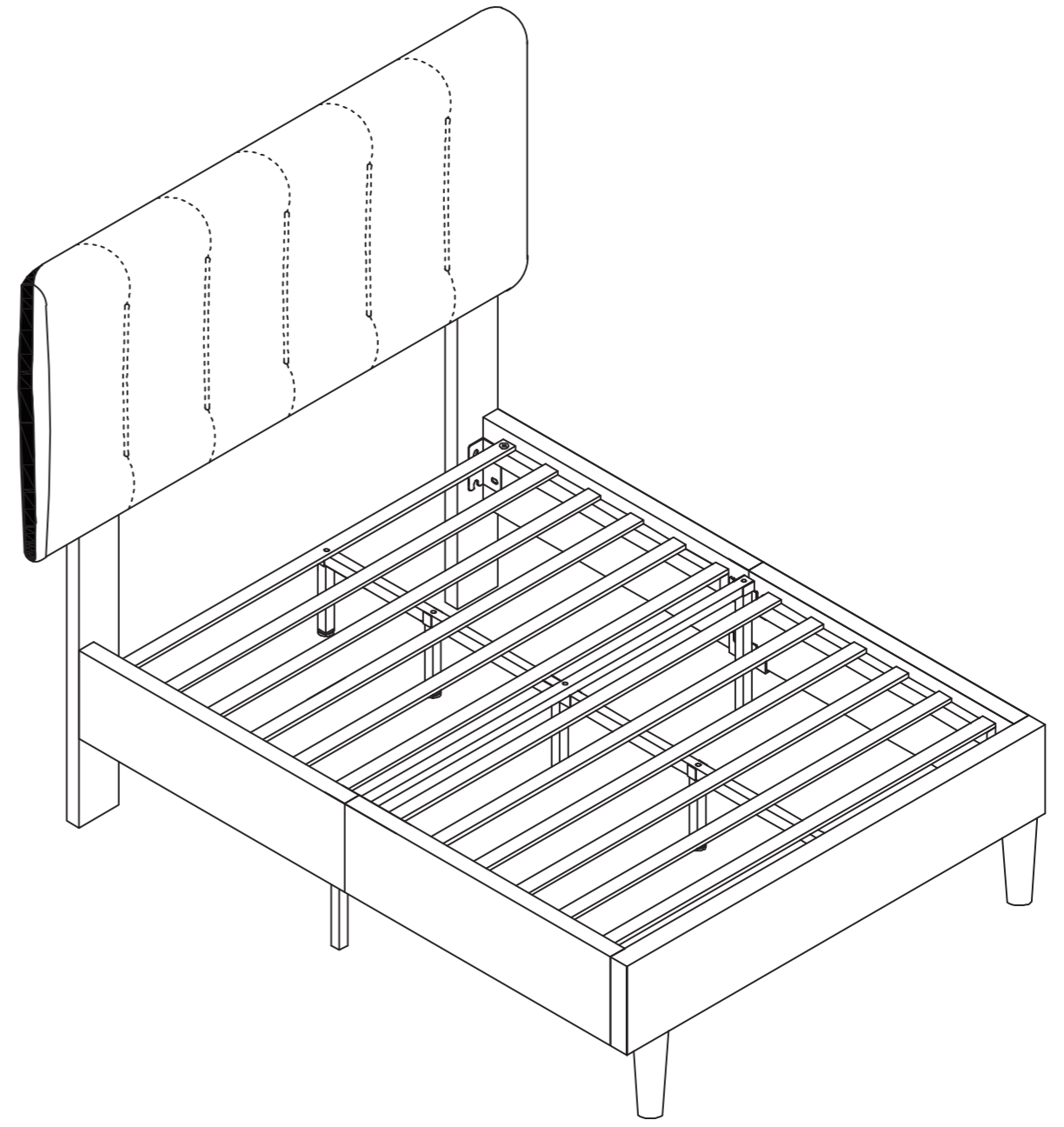
Dimension: TWIN:106\*193\*105cm  
FULL:144\*193\*105cm  
QUEEN:159.5\*205\*105cm

**Tips!**


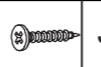



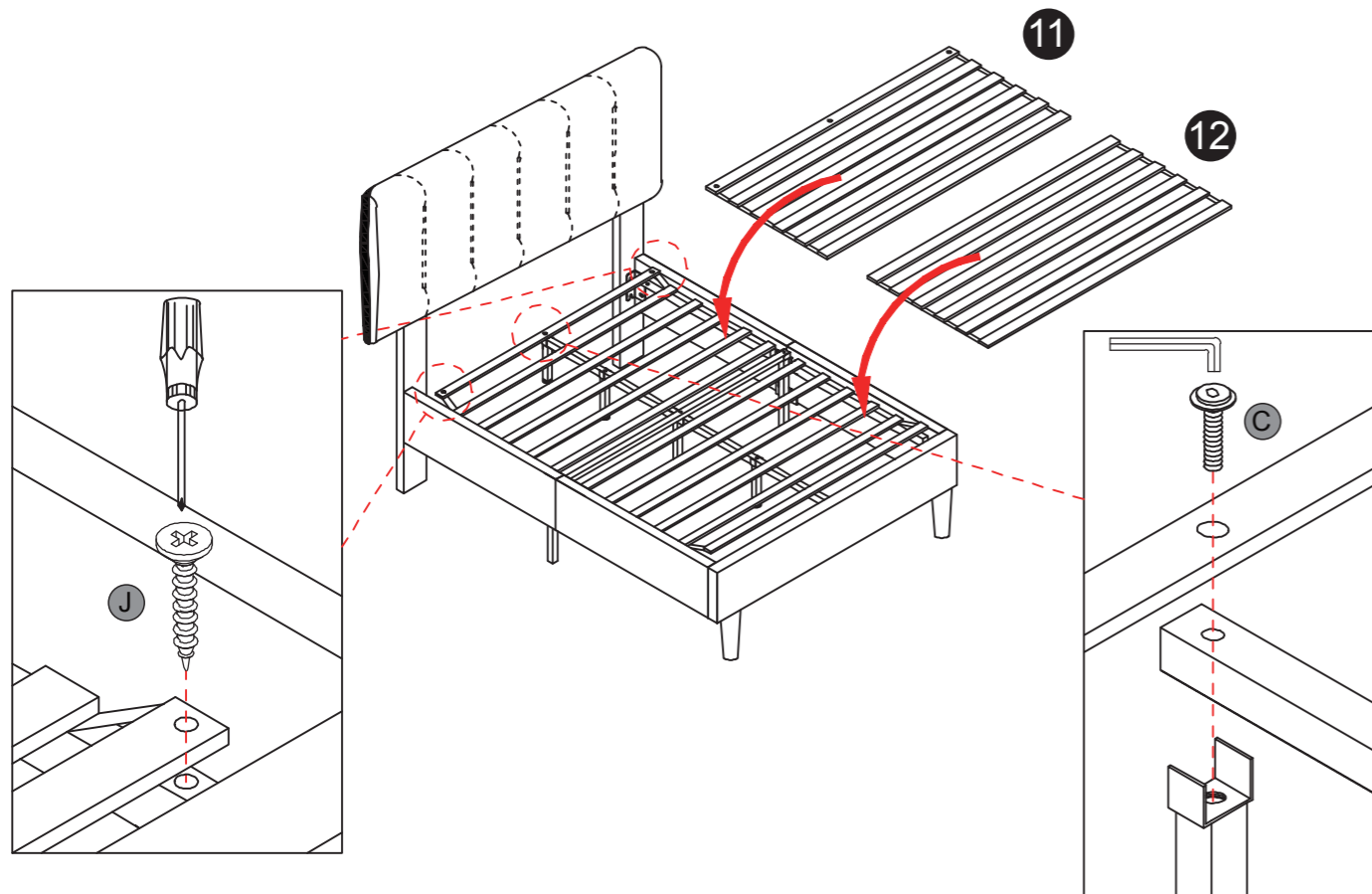


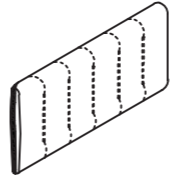
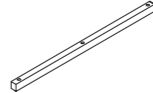
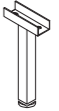
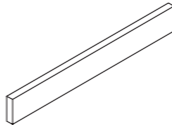
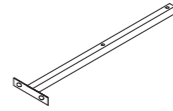
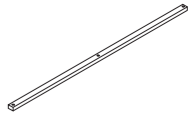
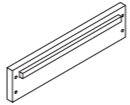

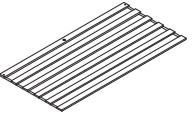


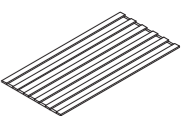
### Step 10

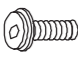
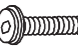




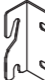





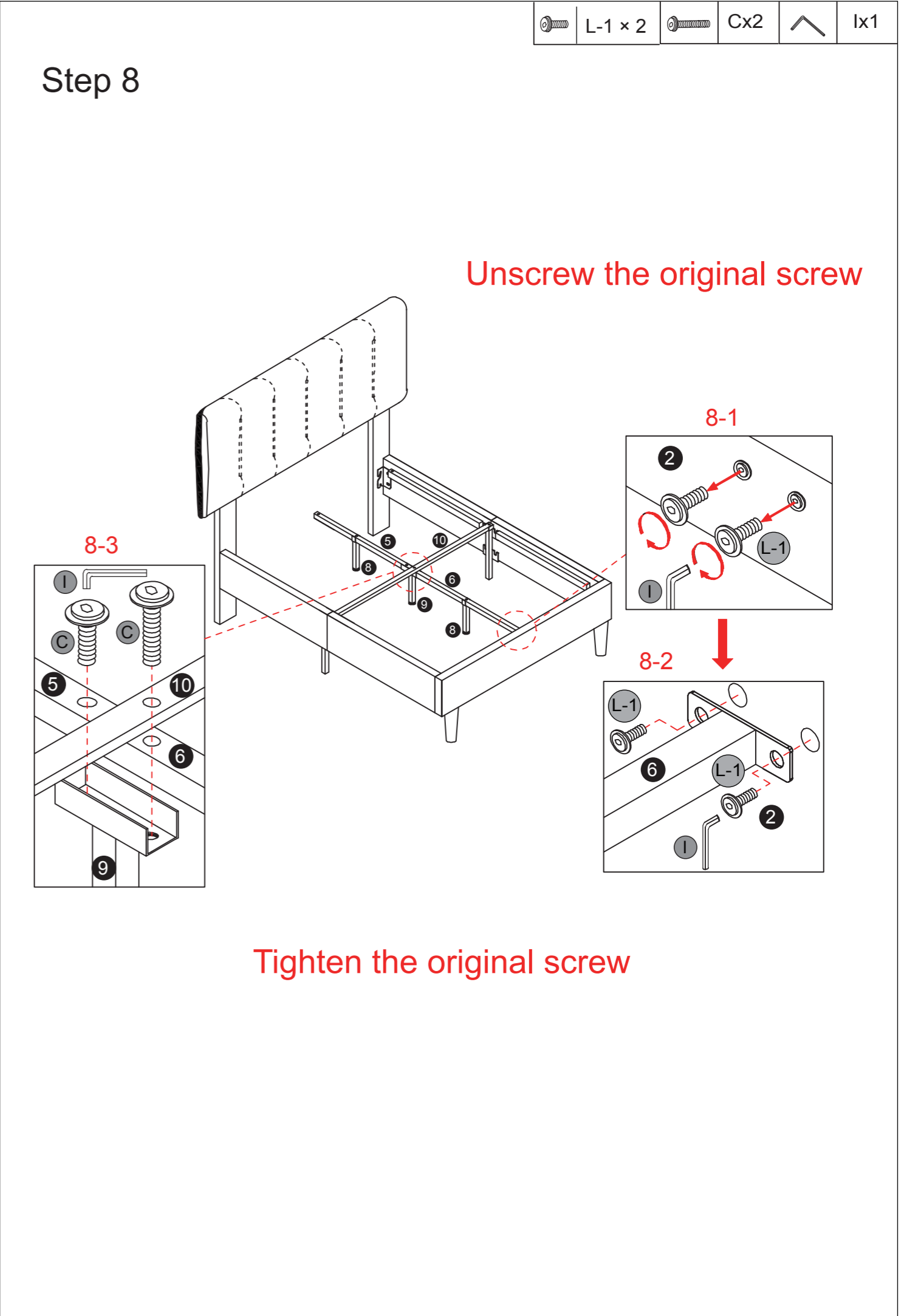
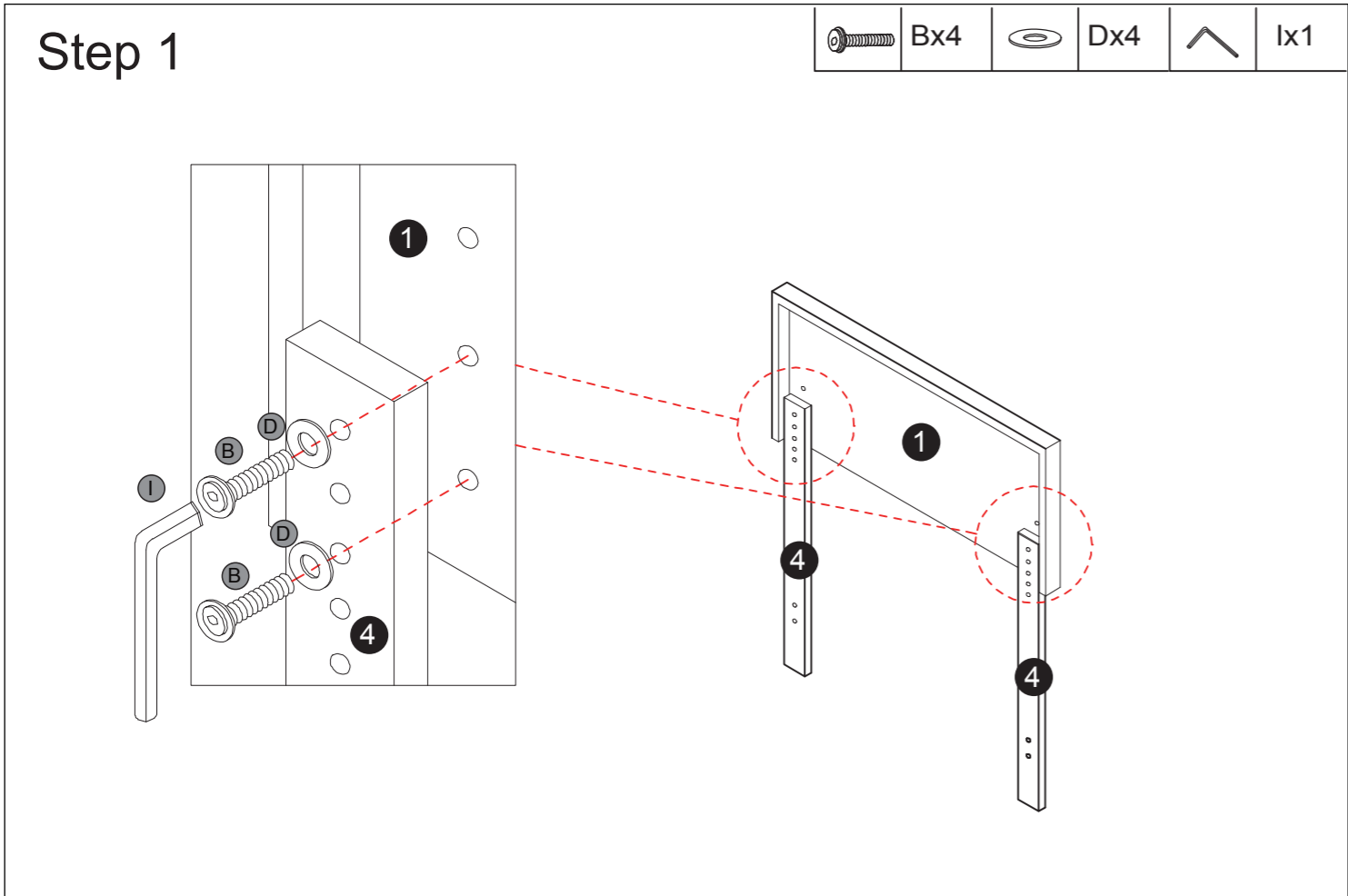
# Step 9

 Cx1  
  Jx2  
  lx1



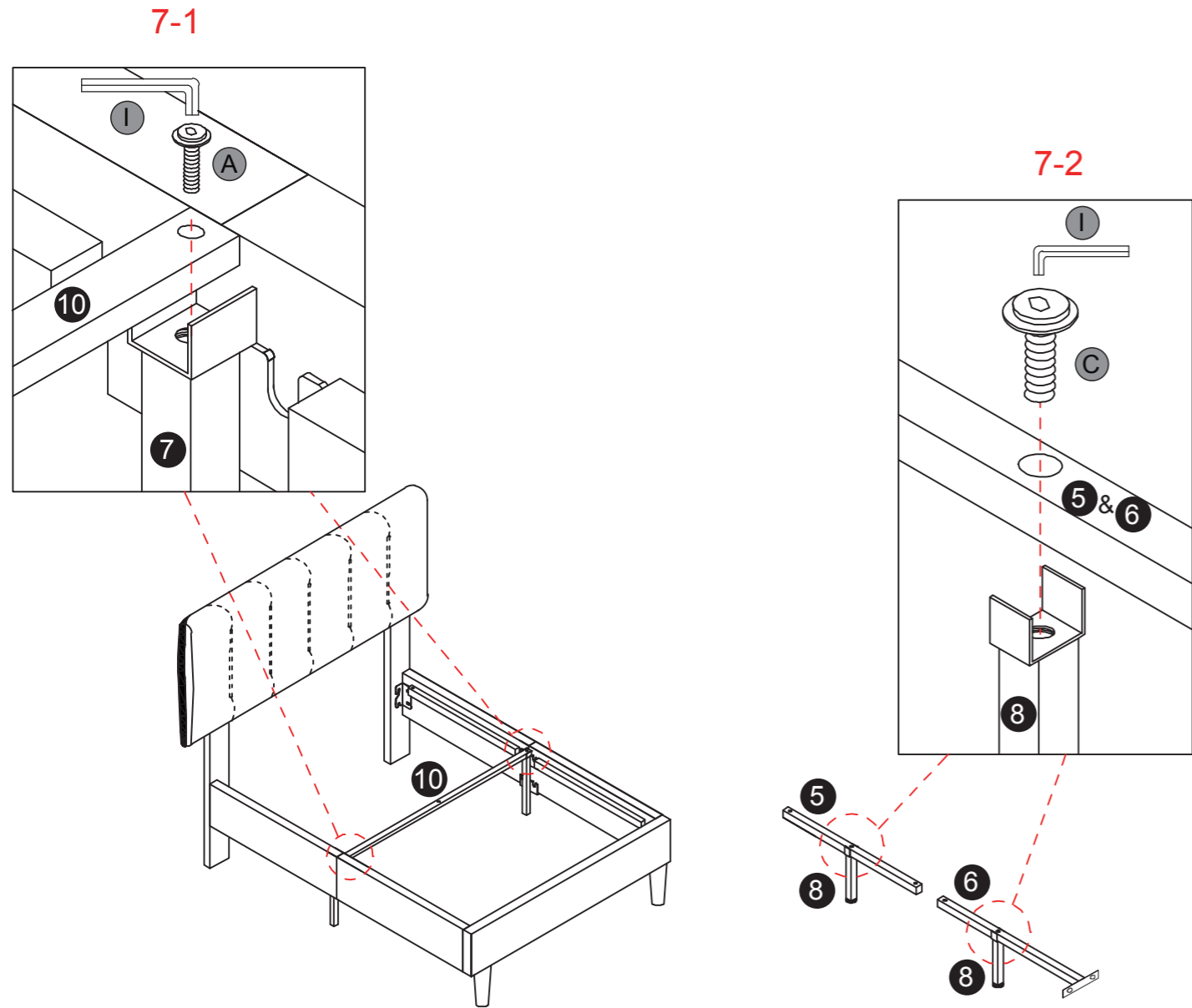
Components								
1		1	5		1	9		1
	TWIN:106*55*9cm			TWIN:84.5*2.5*2.5cm			TWIN:32.4*2.5*2.5cm	
	FULL:144*55*9cm			FULL:84.5*2.5*2.5cm			FULL:32.4*2.5*2.5cm	
	QUEEN:159*55*9cm		QUEEN:90.5*7*2.5cm		QUEEN:32.4*2.5*2.5cm			
2		1	6		1	10		1
	TWIN:100*15.2*2.5cm			TWIN:97.9*2.5*2.5cm			TWIN:95*2.4*1.2cm	
	FULL:138*15.2*2.5cm			FULL:97.9*2.5*2.5cm			FULL:133*2.4*1.2cm	
	QUEEN:153.5*15.2*2.5cm		QUEEN:103.7*2.5*2.5cm		QUEEN:148.5*2.4*1.2cm			
3		4	7		2	11		1
	TWIN:95.3*15.2*2.5cm			TWIN:34.6*7.5*4.3cm			TWIN:95*5.2*1.2cm	
	FULL:95.3*15.2*2.5cm			FULL:34.6*7.5*4.3cm			FULL:133*5.2*1.2cm	
	QUEEN:100.8*15.2*2.5cm		QUEEN:34.6*7.5*4.3cm		QUEEN:148.5*5.2*1.2cm			
4		2	8		3	12		1
	TWIN:83*7*2.5cm			TWIN:32.4*2.5*2.5cm			TWIN:95*5.2*1.2cm	
	FULL:83*7*2.5cm			FULL:32.4*2.5*2.5cm			FULL:133*5.2*1.2cm	
	QUEEN:83*7*2.5cm		QUEEN:32.4*2.5*2.5cm		QUEEN:148.5*5.2*1.2cm			

Screws&Tools							
<b>A</b>		Bolt M8 x 25	2	<b>A-1</b>	Preinstalled on components Bolt M8 x 25	4	
<b>B</b>		Bolt M8 x 45	4	<b>C</b>		Bolt M8 x 45	5
<b>D</b>		Spacer	4	<b>E</b>		Angle iron	2
<b>F</b>		Foot	2	<b>G</b>		Angle iron (Left)	1
<b>H</b>		Angle iron (Right)	1	<b>I</b>		Allen Key M5	1
<b>J</b>		Screw M4 x 25	2	<b>L-1</b>	Preinstalled on components Bolt M8 x 18	22	



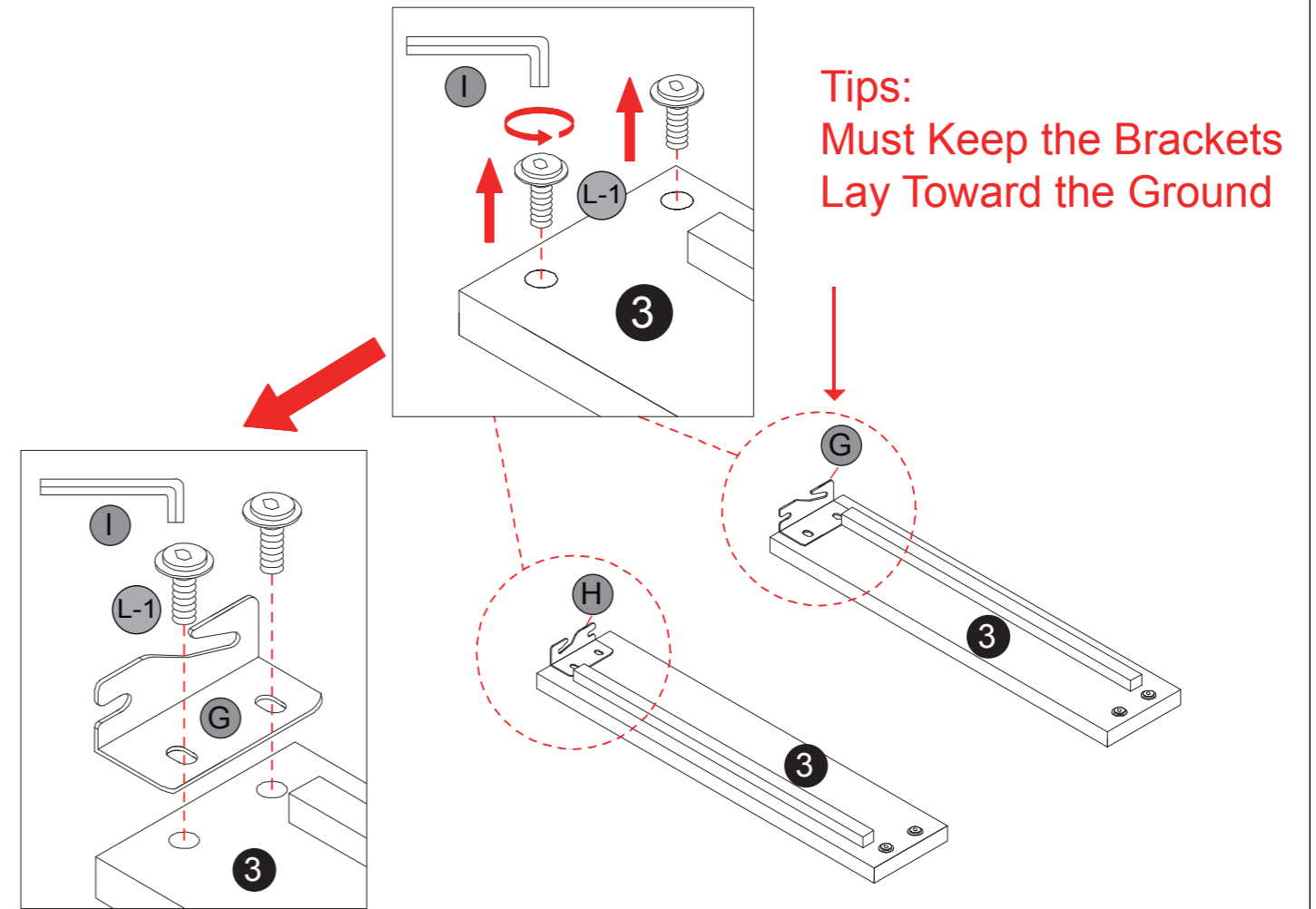
# Step 7

Ax2 Cx2 lx1



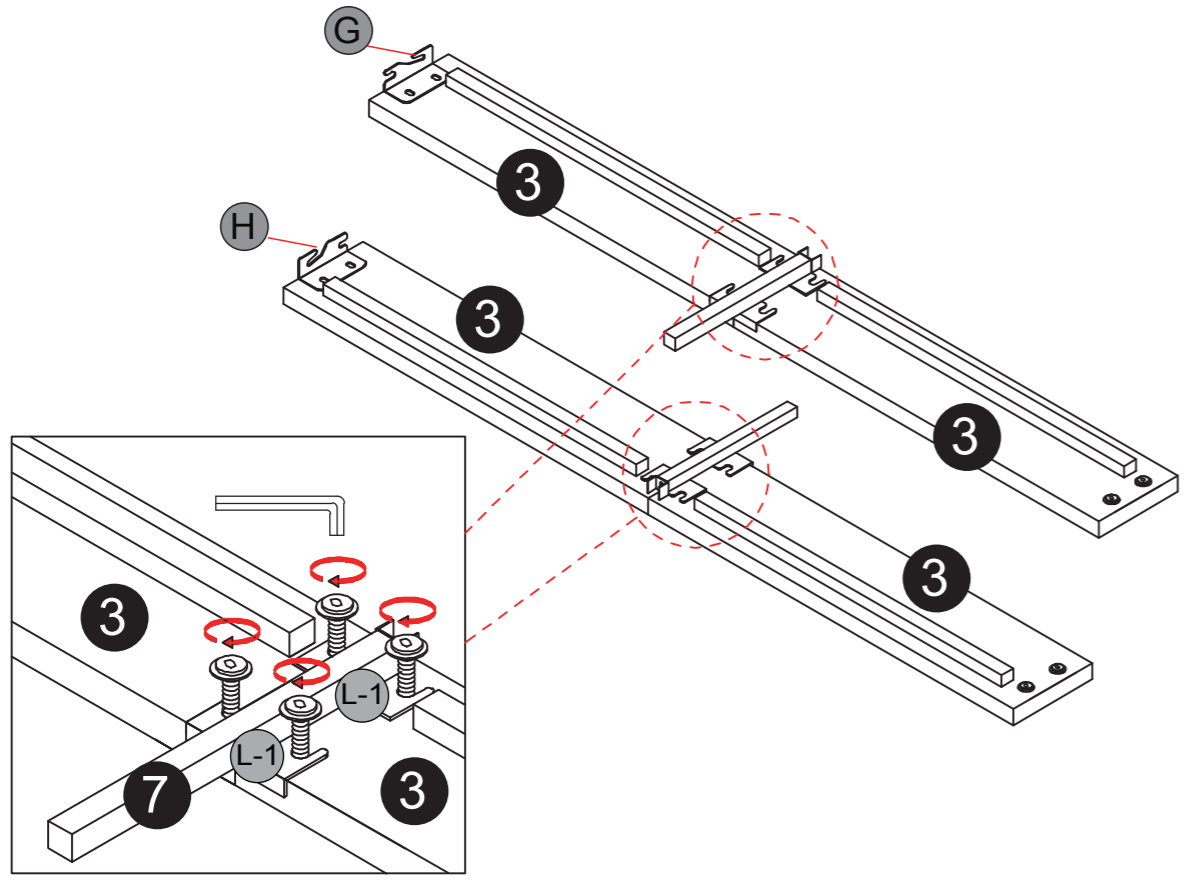
# Step 2

L-1 x 4 Gx1 Hx1 lx1



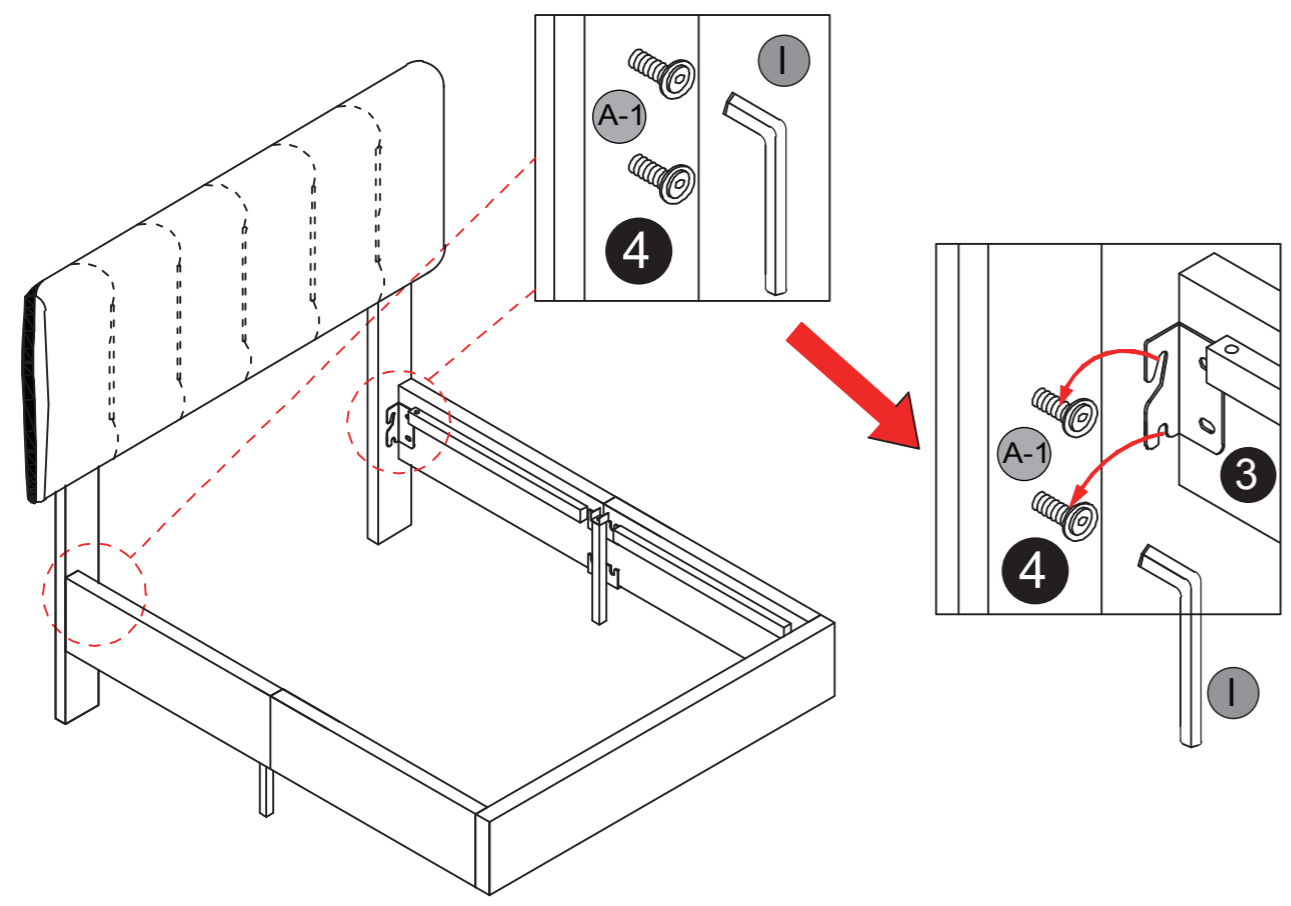
### Step 3

L-1 x 8 7 x2 1x1



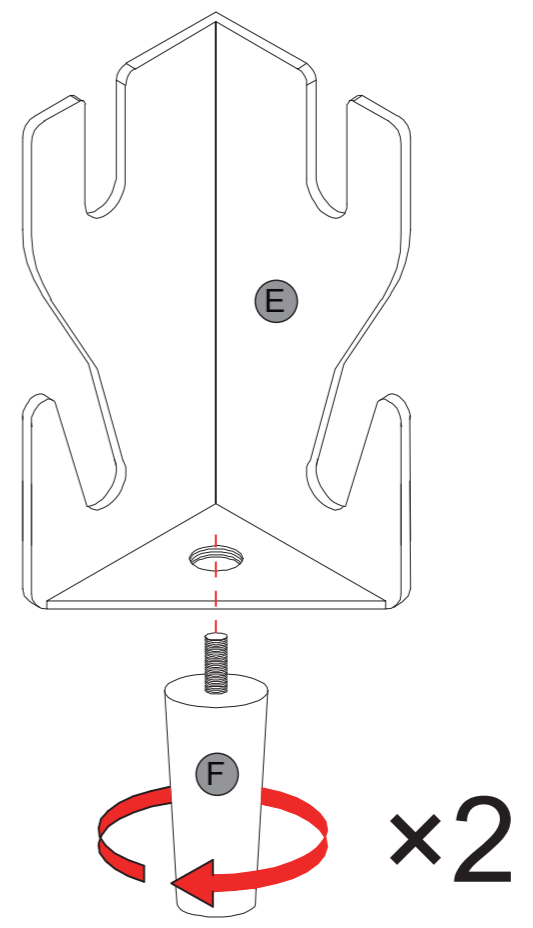
### Step 4

A-1 x 4 1x1



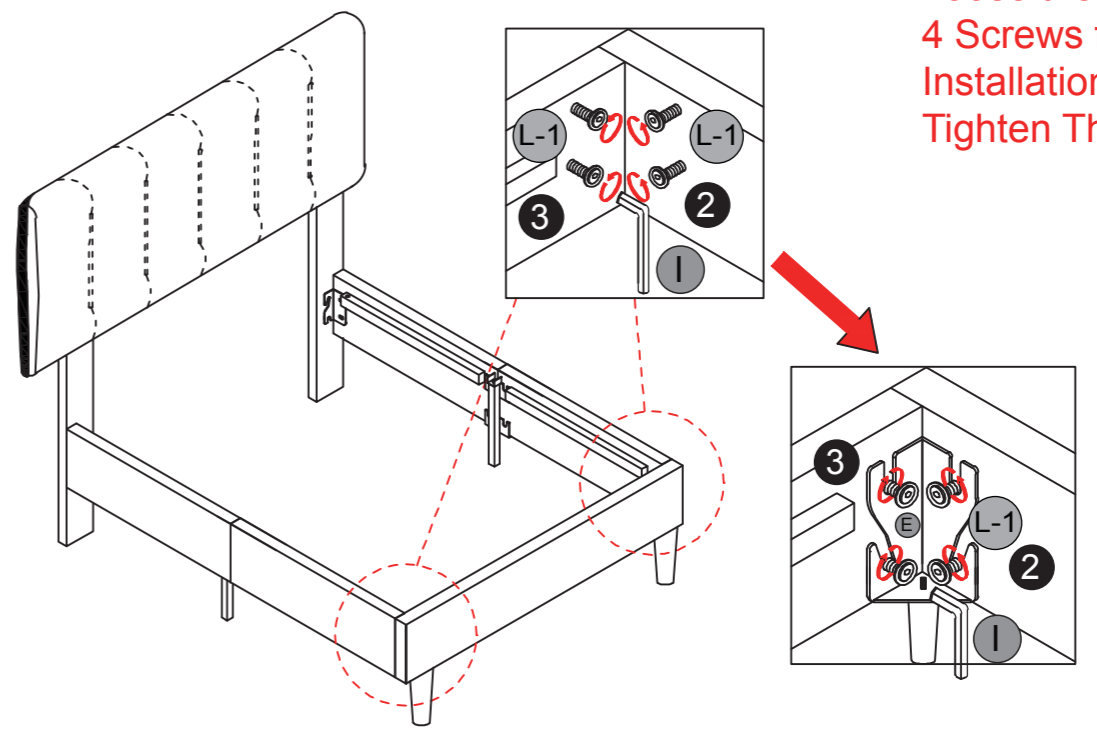
### Step 5

Ex2 Fx2



### Step 6

L-1 x 8 1x1



Tips:  
Loose the Preinstalled  
4 Screws for leg  
Installation, and Then  
Tighten Them Again.