








# ASSEMBLY INSTRUCTIONS

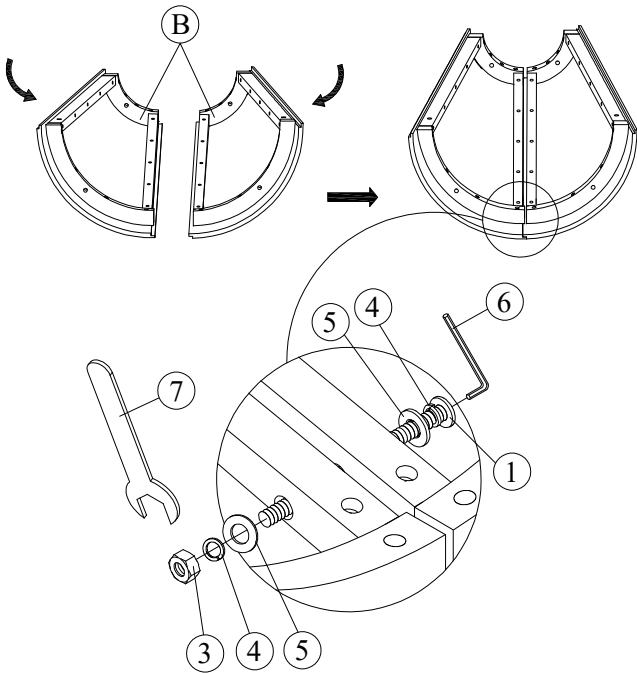
MODEL# : F2437

**KEEP THIS DOCUMENT FOR REFERENCE IN CASE PARTS ARE NEEDED**  
**DO NOT TIGHTEN SCREWS UNTIL COMPLETELY ASSEMBLED !**

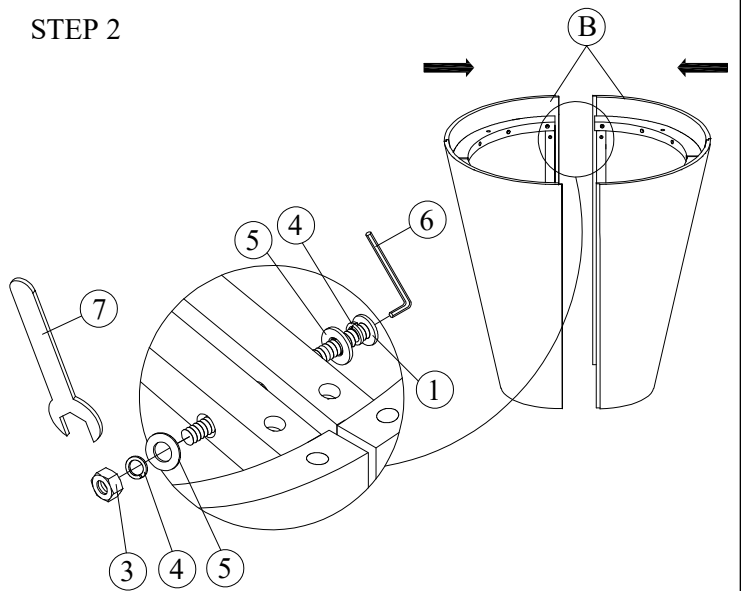
No.	DESCRIPTION	Q'TY
A	TABLE TOP	1pc
B	TABLE POST	4pc
C	TOP PANEL	1pc
D	BOTTOM PANEL	1pc

No.	DESCRIPTION	Q'TY
1	BOLT(5/16"x2-1/2") 	4pcs
2	BOLT(5/16"x1-1/2") 	12pcs
3	NUT(5/16") 	4pcs
4	SPRING WASHER(5/16") 	20pcs
5	METAL WASHER(5/16") 	20pcs
6	ALLEN KEY 	1pc
7	ALLE WRENCH 	1pc

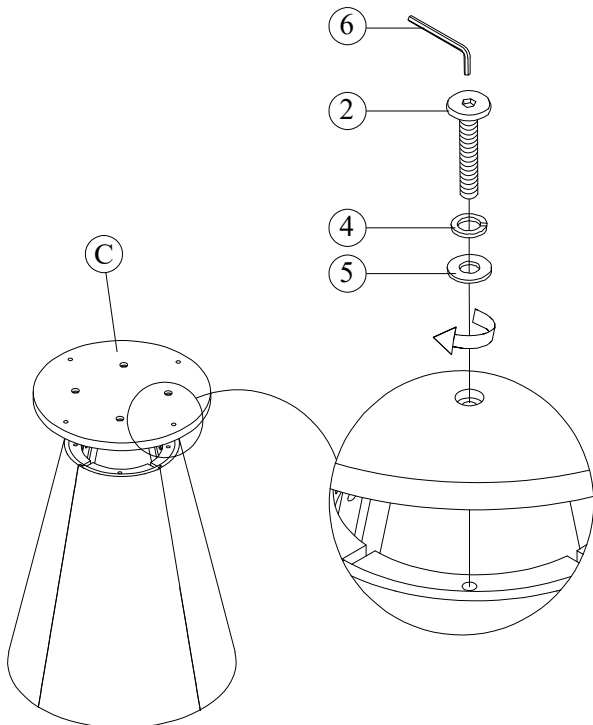
### STEP 1 (x2)



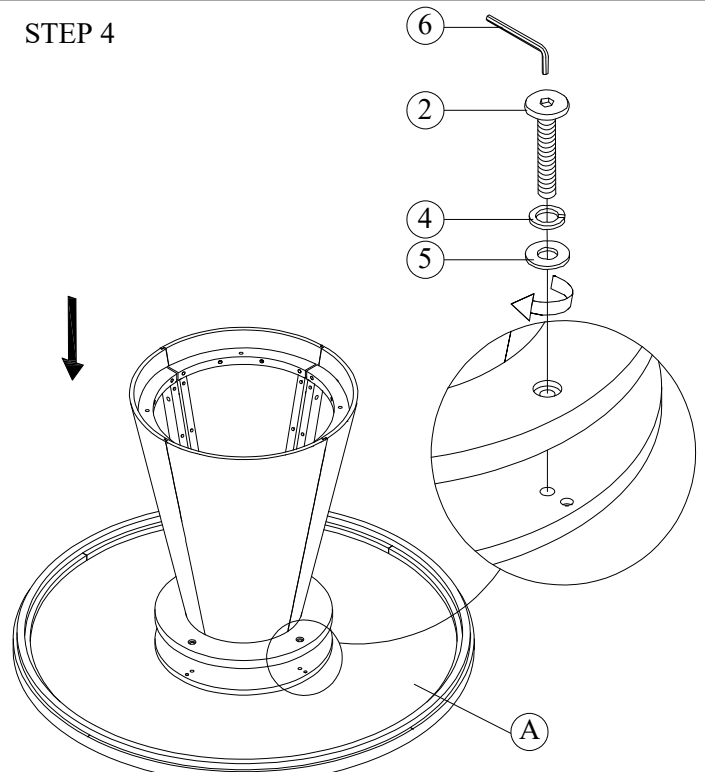
### STEP 2



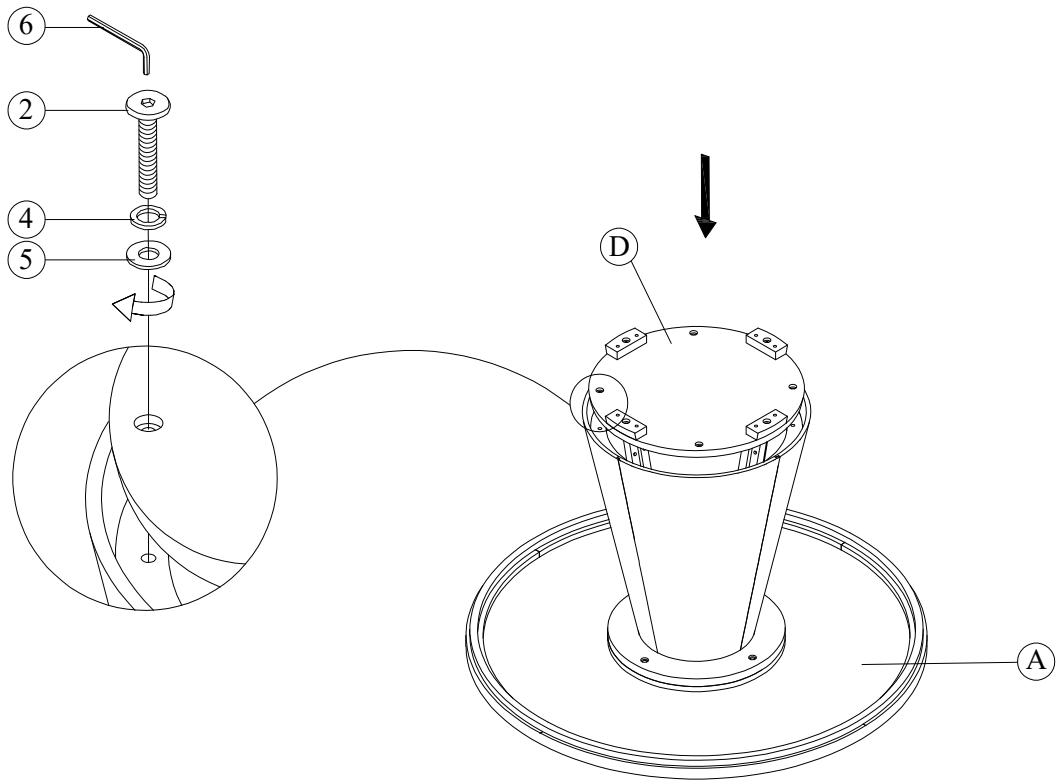
### STEP 3



### STEP 4



STEP 5



STEP 6

