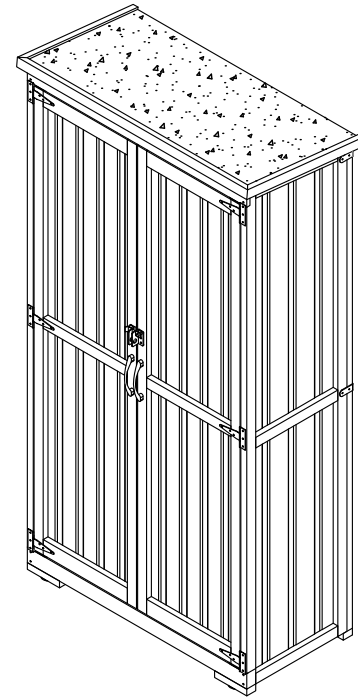


ASSEMBLY INSTRUCTIONS  
PLEASE RETAIN THIS INSTRUCTIONS FOR REFERENCE



TIME: 30-60 minutes

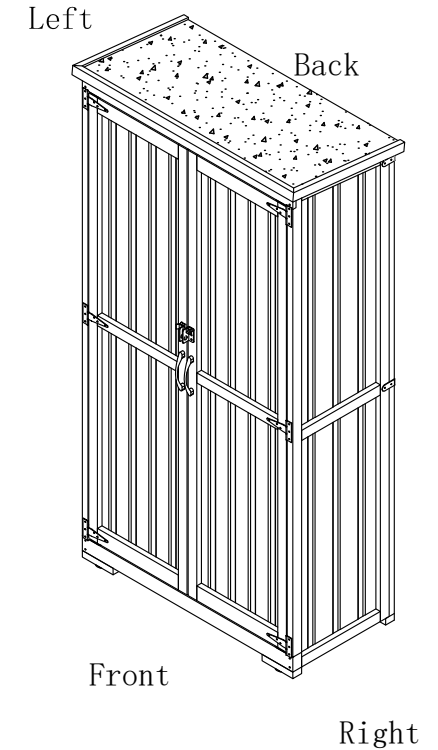
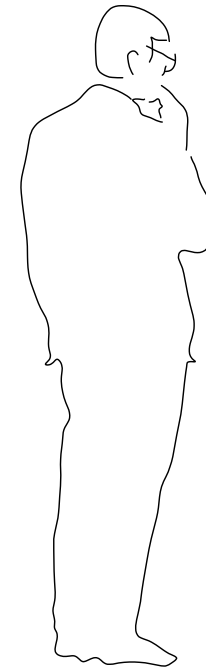


NUMBER OF PEOPLE: 2

Greeting!  
So here I am




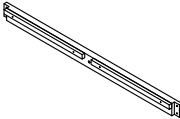
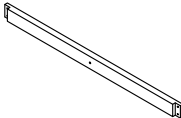

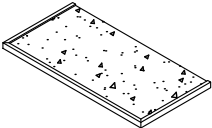
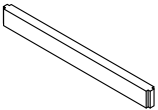
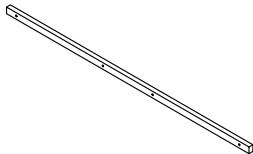
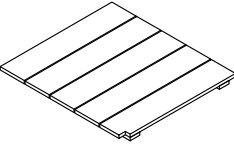
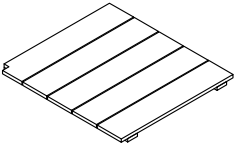
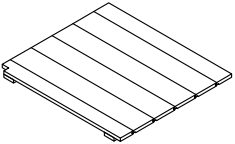
## *your new friend*

- ▶ Thank you for letting me be a part of your gardening journey.
- ▶ They'll be cozy and protected from the weather when they're with me.
- ▶ Just remember to take care of me too, so I can last a long time.
- ▶ When you open the box, you might smell a funny smell. Don't worry, it's not dangerous, just let me ventilate on the balcony or in a well-ventilated area for a few days and the smell will go away.
- ▶ Be careful when you assemble because some of my parts can be sharp or heavy. Make sure all the screws are tight during installation and double-check that they're all secure before using me.
- ▶ Please follow the instructions from my maker so your warranty stays good. If you are unsure about the assembly instructions in the manual, you can contact us for an assembly video if you need.
- ▶ Remember to place and use me on a flat surface to make sure it's put together correctly and works well.
- ▶ Keep me away from fire and dangerous chemicals.
- ▶ Clean me with a damp, soapy sponge without corrosive agents.
- ▶ Dry me with a soft, clean, dry cloth.
- ▶ Do not clean me with high pressure.
- ▶ Do not put bleach, acids, solvents, or abrasive cleaners on me.
- ▶ Check that all my bolts, screws, and knobs are tight every 90 days.


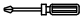


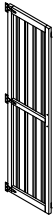
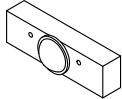


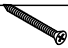
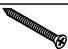
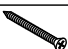







# ASSEMBLY INSTRUCTION

Tool Required:  Electric Drill  Phillips Screwdriver

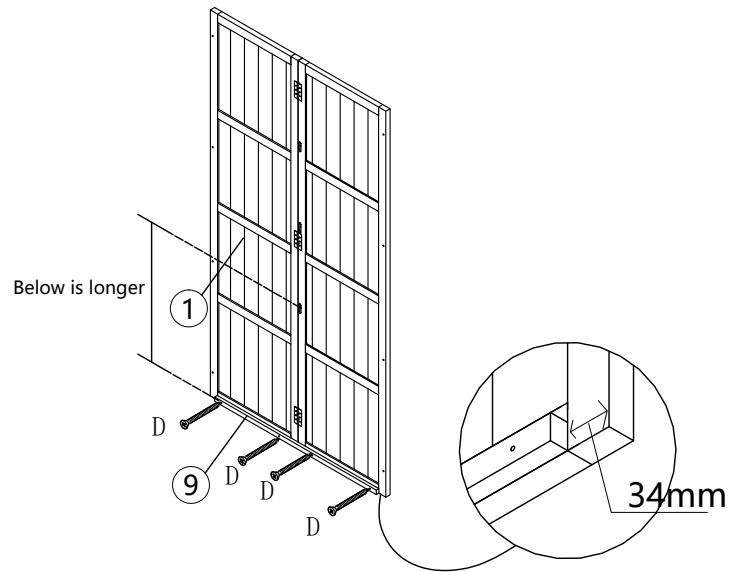
		
① Back panel	② Left panel	③ Right panel
		
④ Front down rod	⑤ Front upper rod	⑥ Front pillar
		
⑦ Roof	⑧ *3 Connecting rod	⑨ Back down rod
		
⑩ Bottom panel	⑪ Bottom panel	⑫ *3 Shelf panel

# ASSEMBLY INSTRUCTION

Tool Required:  Electric Drill  Phillips Screwdriver

		
⑬ *2 Door	⑭ *4 Foot pad	
Parts Description		
	A M3.5*45	16PCS+1
	B M3*40	10PCS+1
	C M3*16	54PCS+1
	D M3.5*30	12PCS+1
	E M3.5*35	4PCS+1
	F M4*25	4PCS
	G 	2PCS
	H 	1PC
	I M3*25	28PCS+1
	J 	4PCS
	K 	4PCS
	L 	8PCS

D M3.5\*30 4PCS

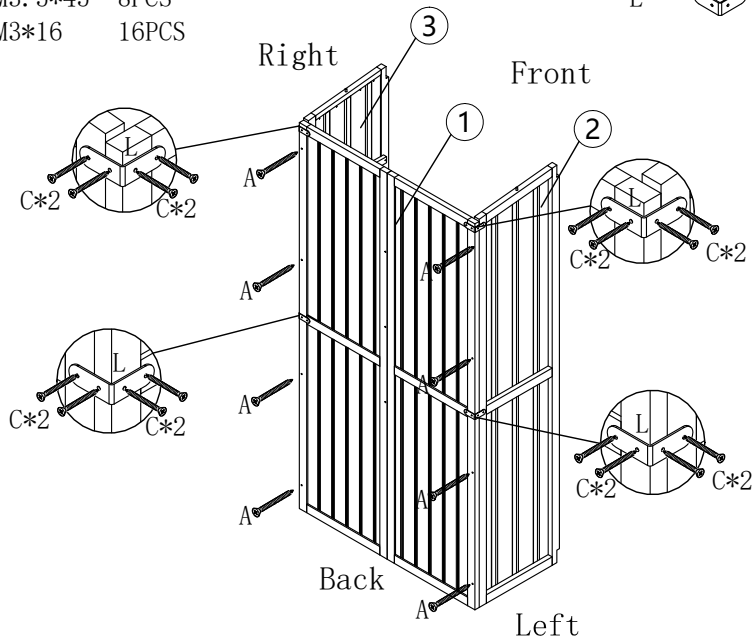


STEP 1

Fix ① Back panel, ⑨ Back down rod with screws.

A M3.5\*45 8PCS  
C M3\*16 16PCS

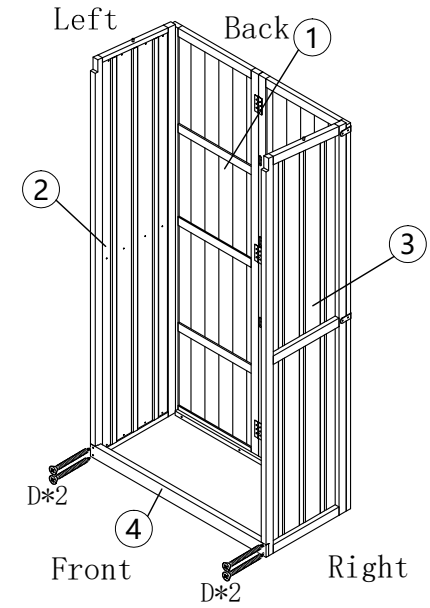
L  4PCS



STEP 2

Fix ① Back panel, ② Left panel, ③ Right panel with screws.  
Fix (L)\*4 Angle irons with screws.

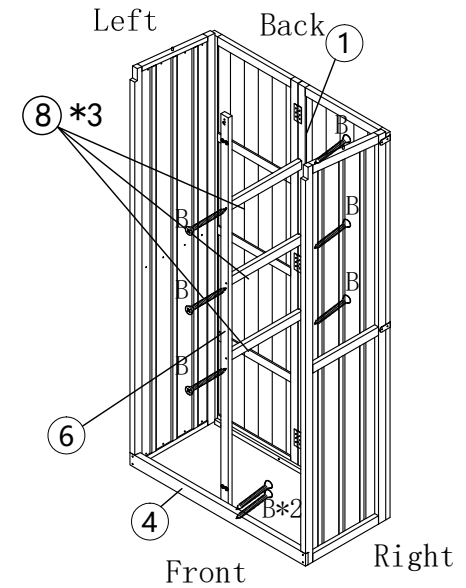
D M3.5\*30 4PCS



STEP 3

Fix ① Back panel, ② Left panel, ③ Right panel, ④ Front down rod with screws.

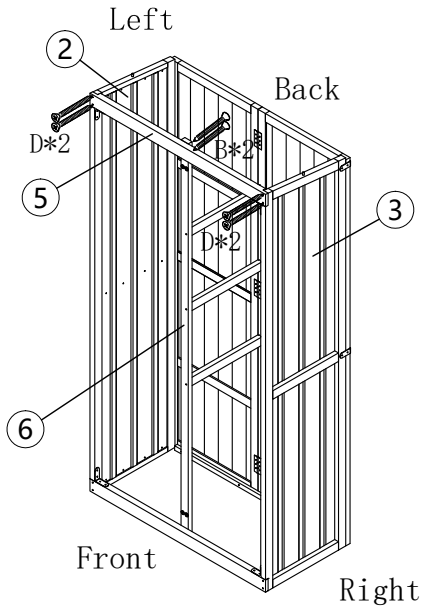
B M3\*40 8PCS



STEP 4

Fix ① Back panel, ④ Front down rod, ⑥ Front pillar, ⑧ \*3 Connecting rod with screws.

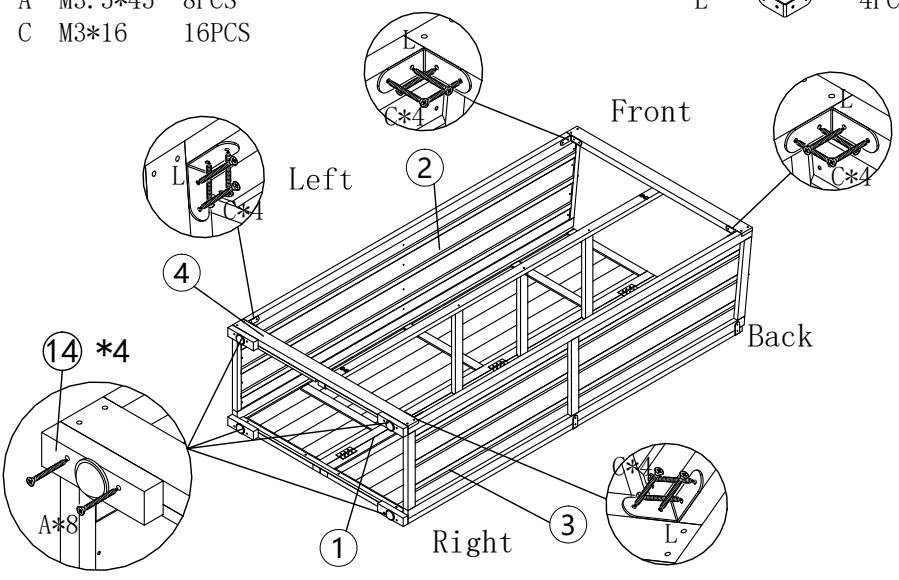
- D M3.5\*30 4PCS
- B M3\*40 2PCS



Fix ② Left panel, ③ Right panel, ⑤ Front upper rod, ⑥ Front pillar with screws.

STEP 5

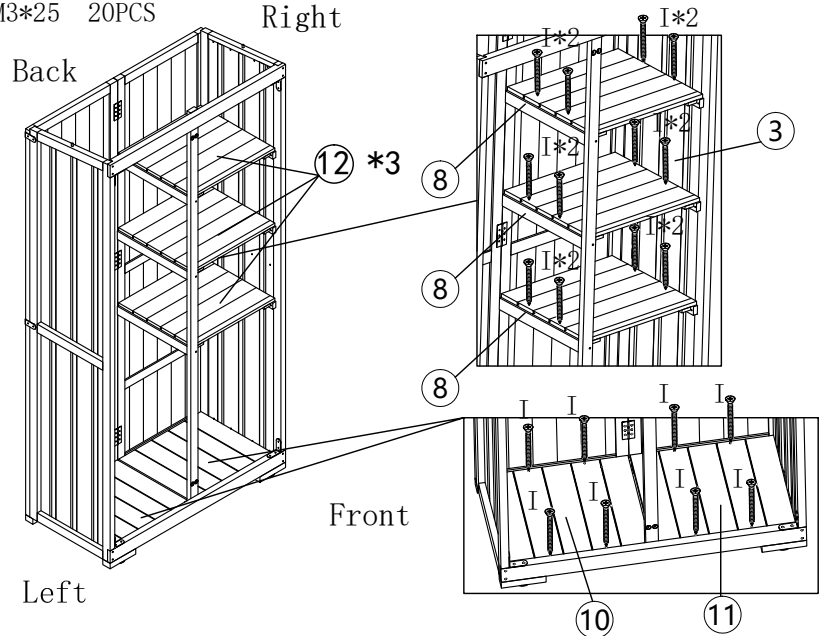
- A M3.5\*45 8PCS
- C M3\*16 16PCS
- L 4PCS



Fix ⑭\*4 Foot pad on bottom of ① Back panel, ② Left panel, ③ Right panel, ④ Front down rod with screws.  
Fix (L)\*4 Angle irons with screws.

STEP 6

- I M3\*25 20PCS

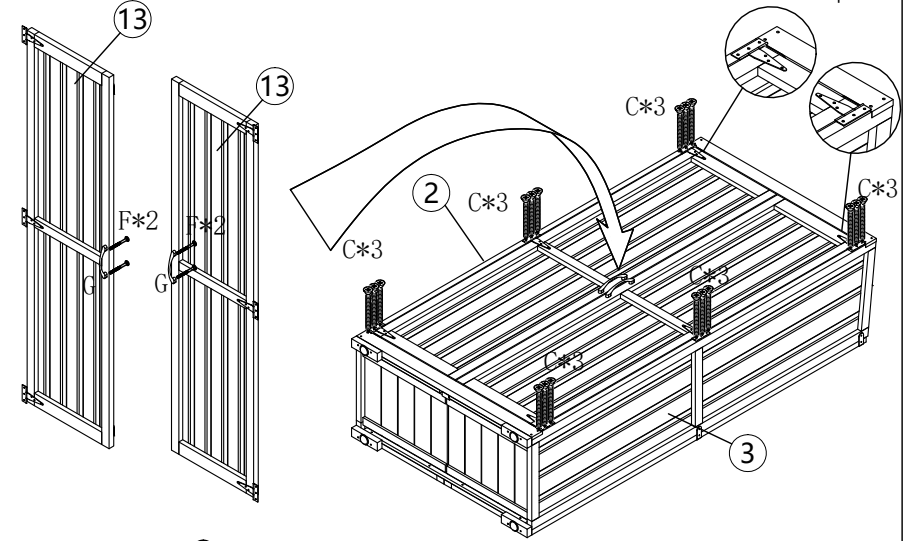


Put in ⑩ Bottom panel, ⑪ Bottom panel, fix ⑫\*3 Shelf panel on ⑧\*3 Connecting rod and ③ Right panel with screws.

STEP 7

- F M4\*25 4PCS
- G 2PCS
- C M3\*16 18PCS

when installing, make sure the threshold is in place.

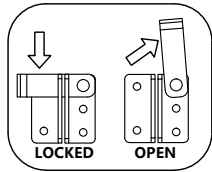
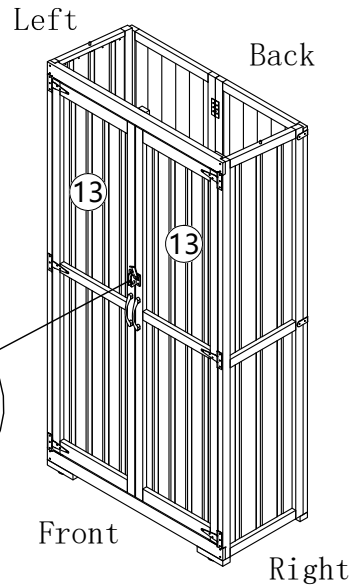


Fix (G)\*2 Handle on ⑬\*2 Door with screws.  
Fix ⑬\*2 Door on ② Left panel and ③ Right panel with screws and hinges.

STEP 8

C M3\*16 4PCS

H  1PC




STEP 9

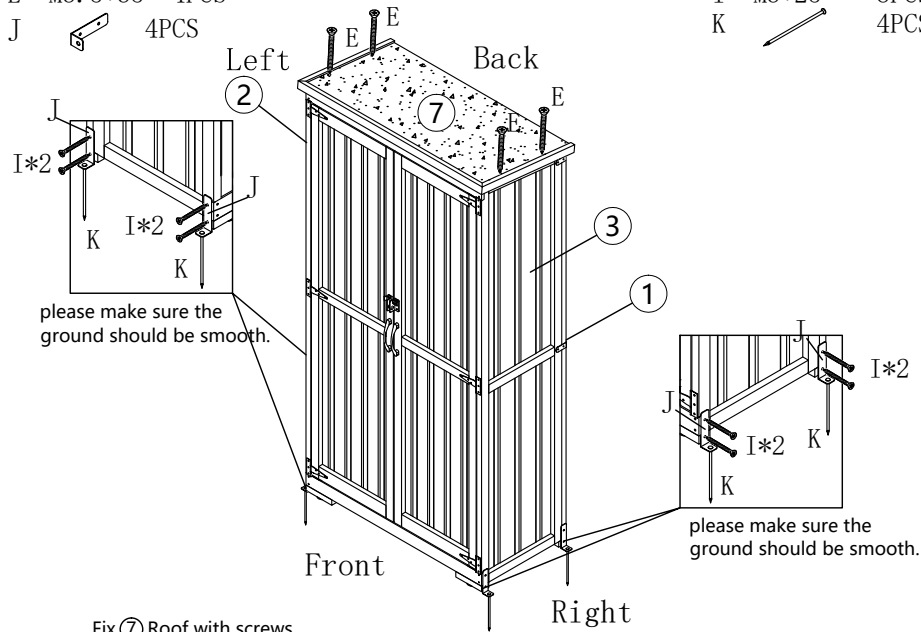
Fix (H) Lock on ⑬\*2 Door with screws.

E M3.5\*35 4PCS

J  4PCS

I M3\*25 8PCS

K  4PCS



Fix ⑦ Roof with screws.

Fix (J)\*4 Angle iron on ① Back panel, ② Left panel, ③ Right panel with screws, fix (K)\*4 nails to the ground with a hammer.

STEP 10



## HELP CENTER

- ▶ Your full satisfaction is our FIRST priority.
- ▶ We hope you enjoy it and have a good shopping experience.
- ▶ We are committed to resolve any issue when the item does not meet your expectations.
- ▶ Please feel free to contact us through order detail page, we will get back to you and solve them within 24 hours.



### WARNING:

Manufacturer and seller expressly disclaim any liability for personal injury, property damage, or loss, whether direct, indirect, or incidental, resulting from incorrect attachment, improper use, inadequate maintenance, or neglect of this.