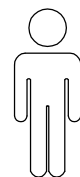
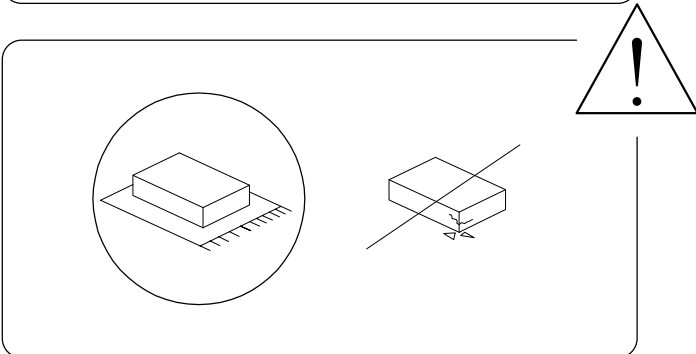
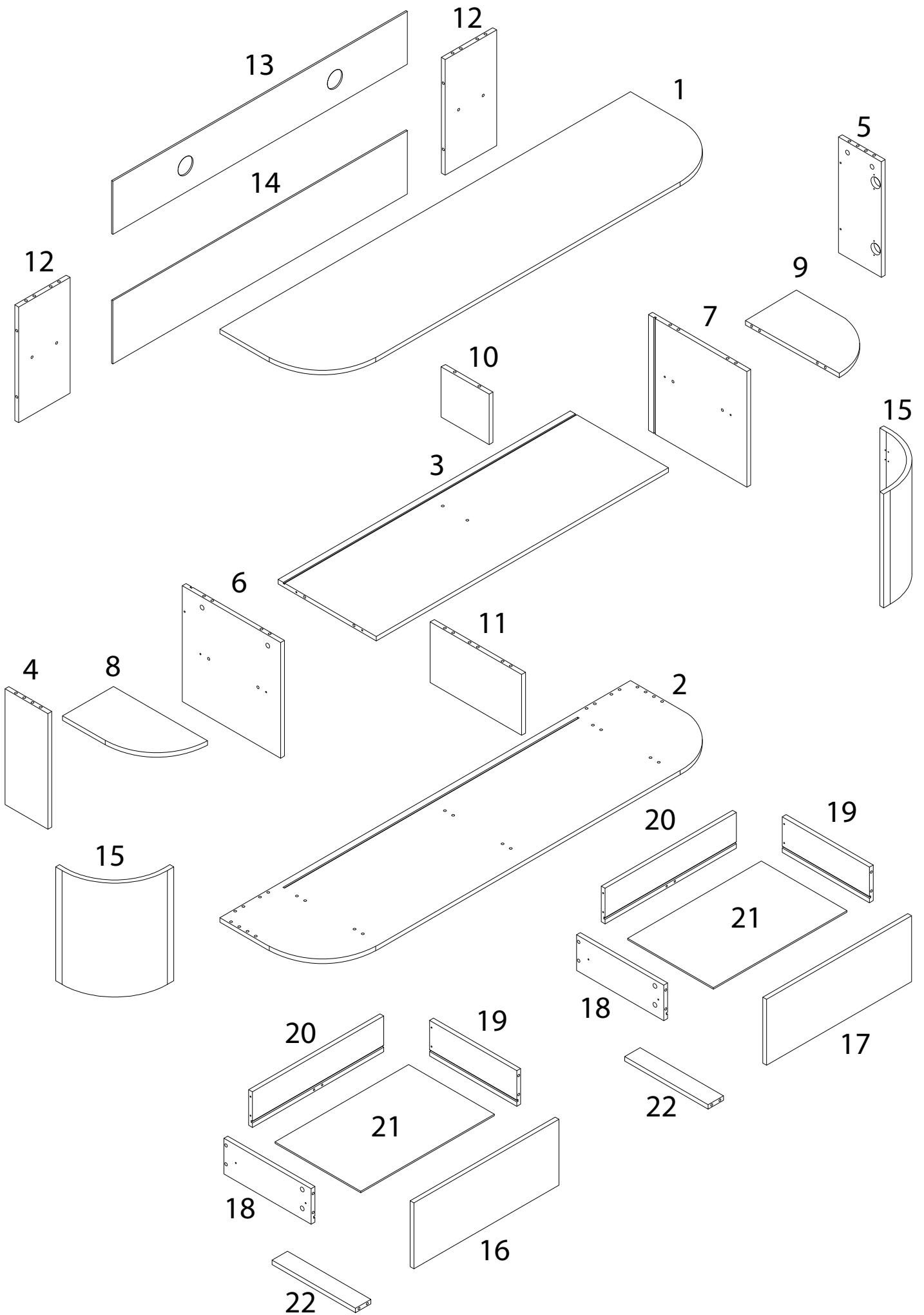
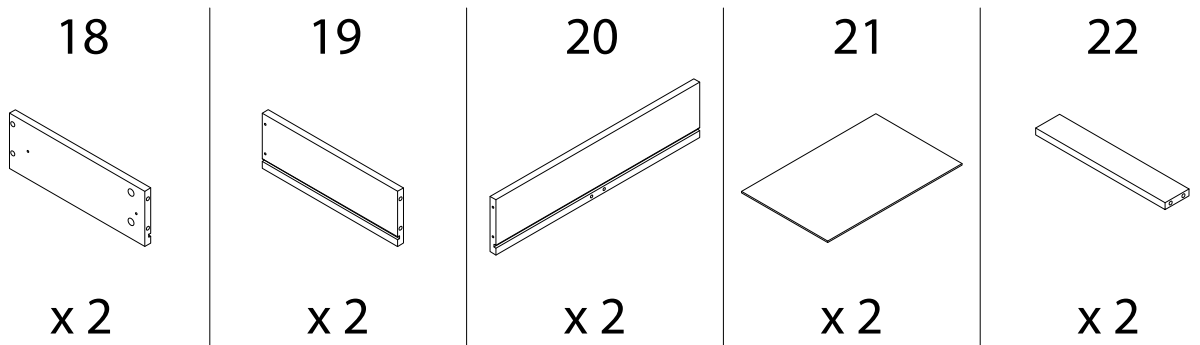
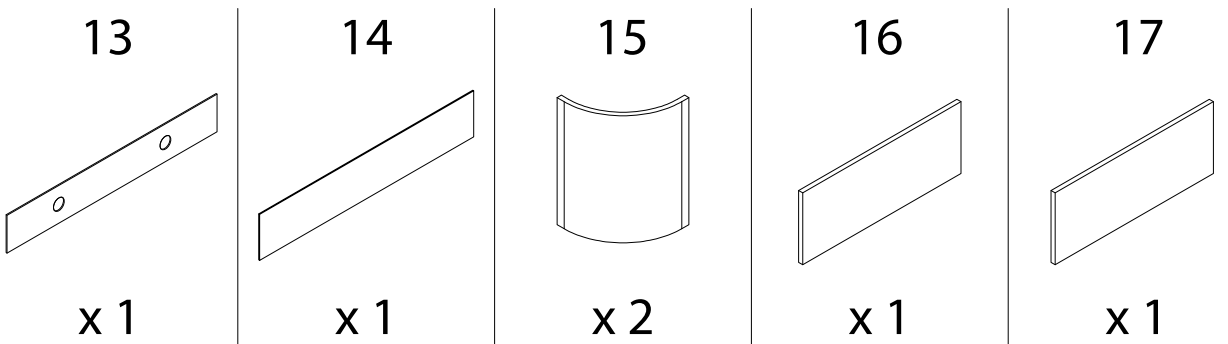
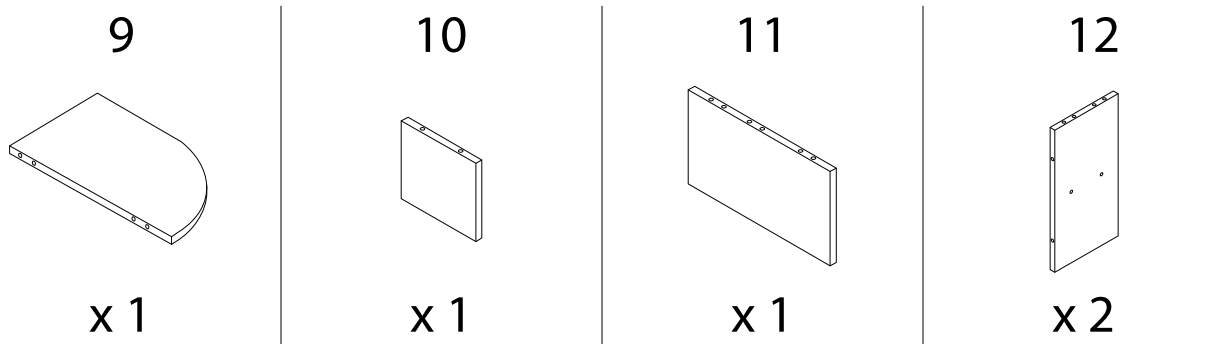
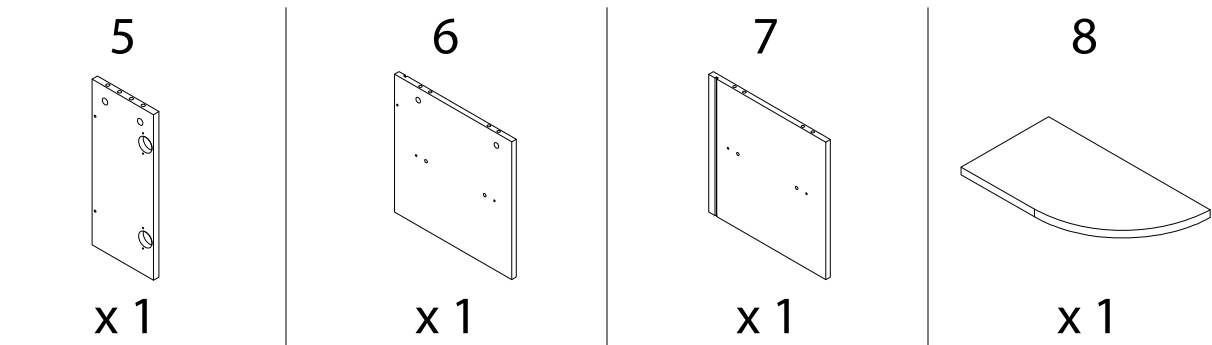
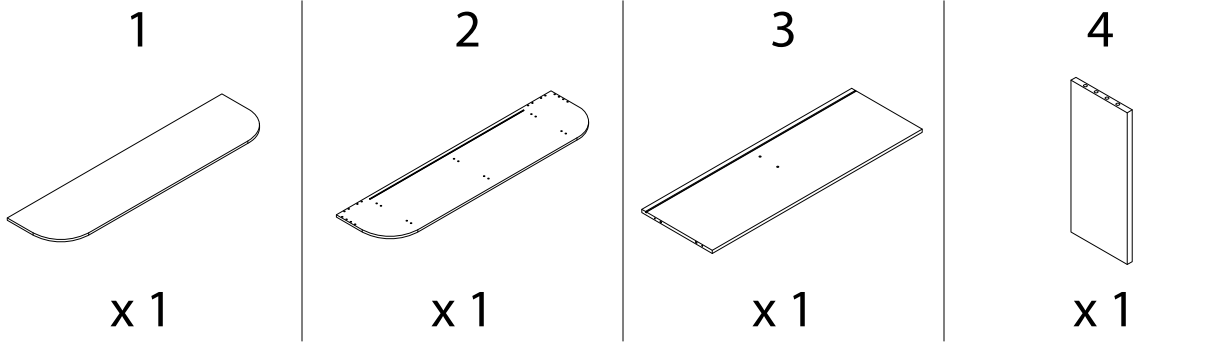


60'



2



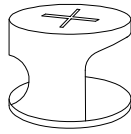


A



x 48

B



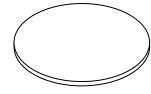
x 48

C



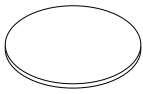
x 36

D



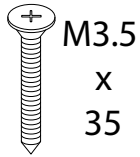
x 4

E



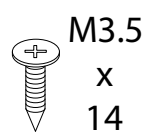
x 14

F



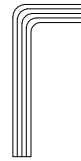
x 8

G



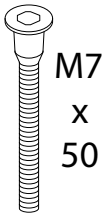
x 52

H



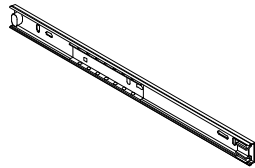
x 1

I



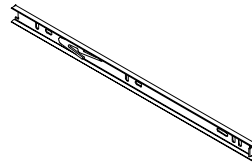
x 20

J



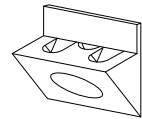
x 4

K



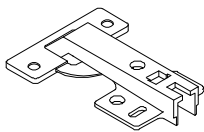
x 4

L



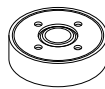
x 12

M



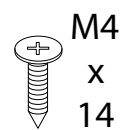
x 4

N



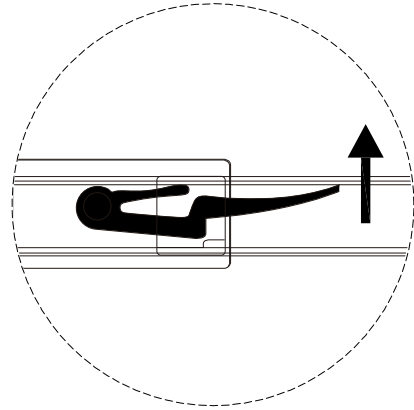
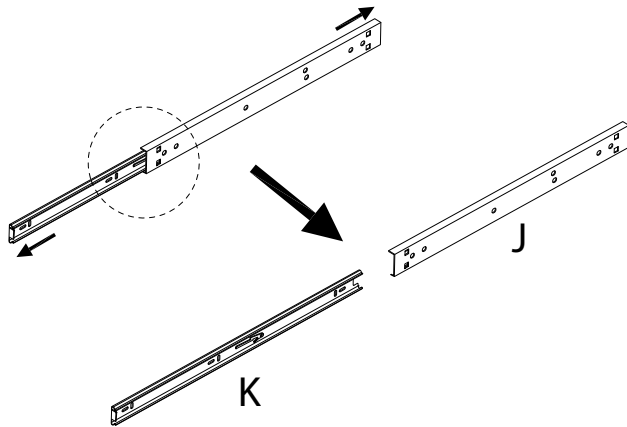
x 6

O

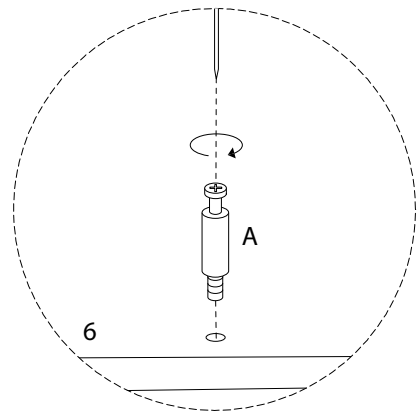
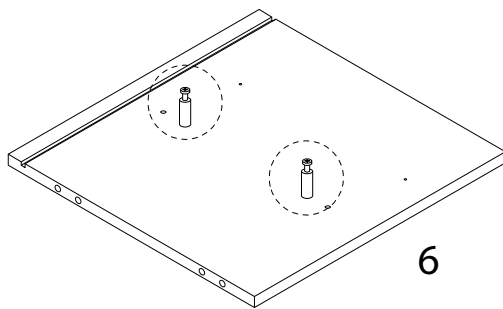
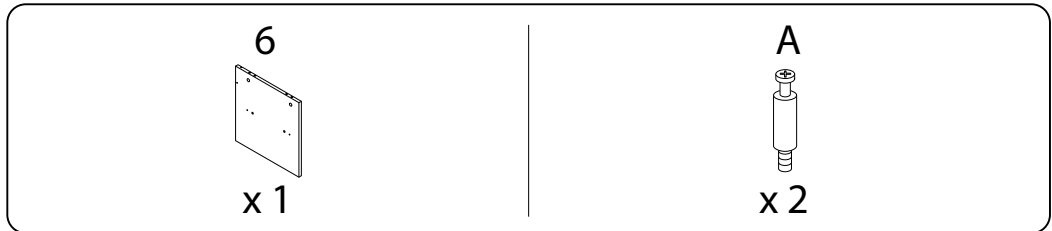


x 24

!

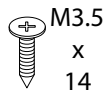


1



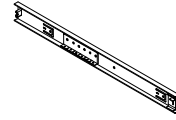
2

G

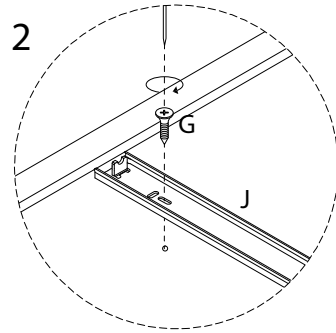
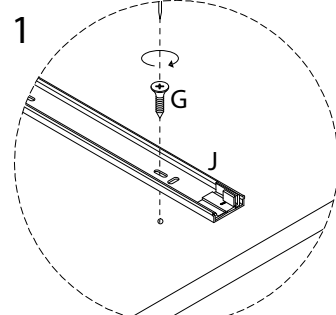
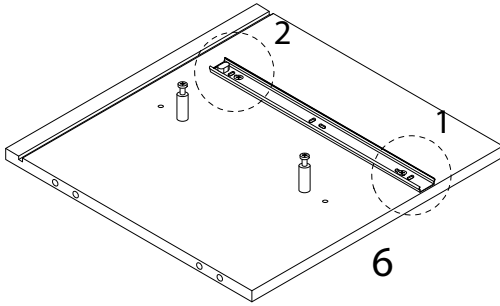


x 2

J



x 1

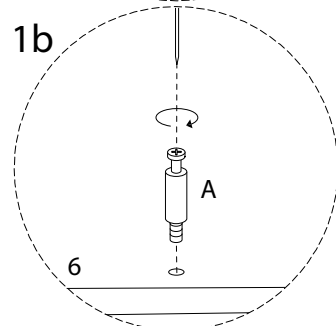
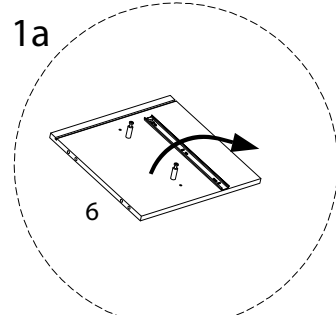
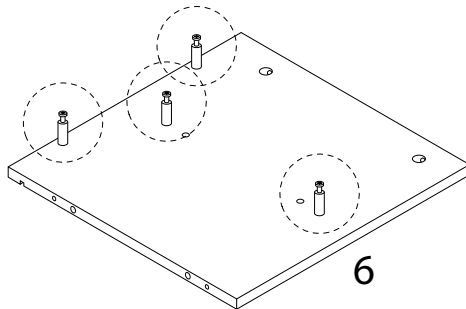


3

A



x 4

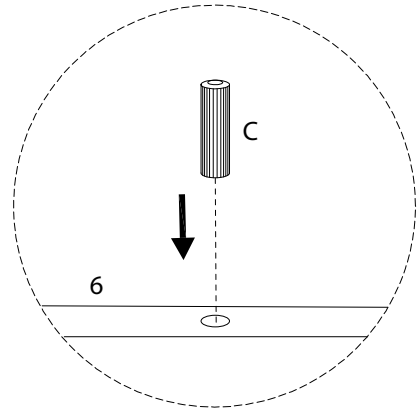
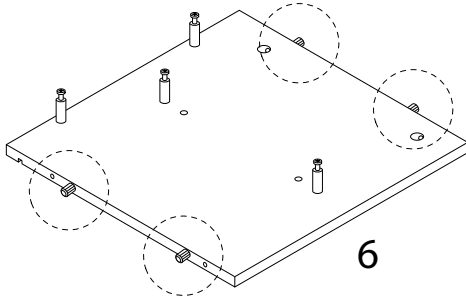


4

C

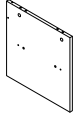


x4



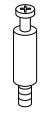
5

7

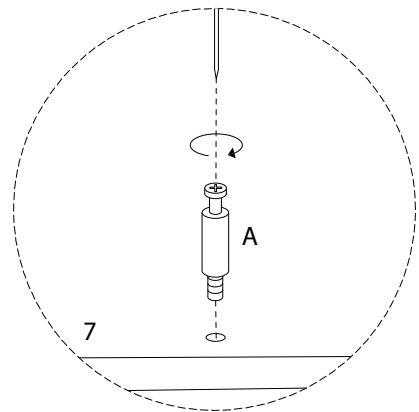
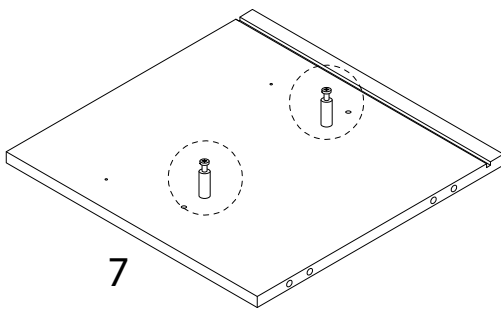


x1

A

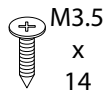


x2



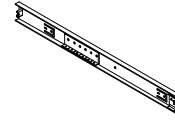
6

G

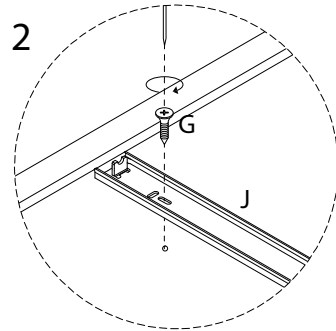
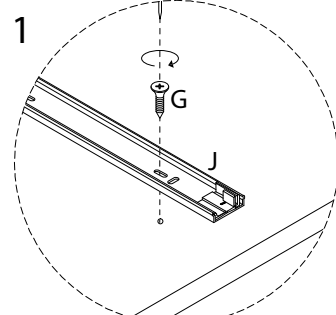
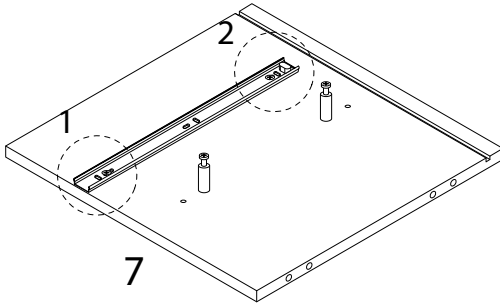


x 2

J



x 1

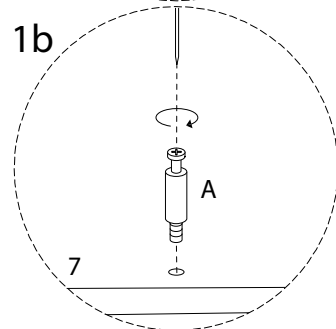
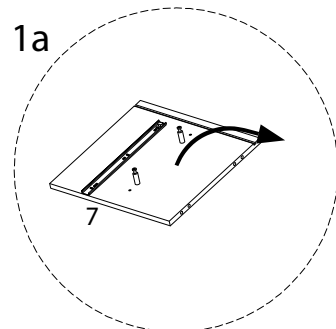
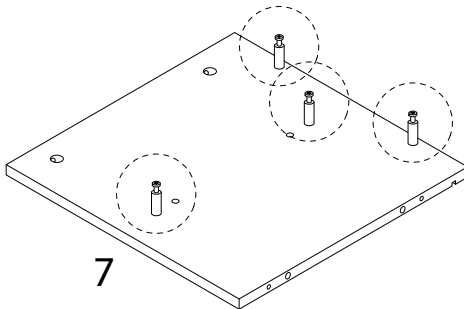


7

A



x 4

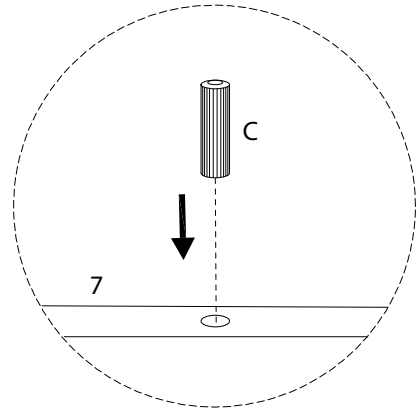
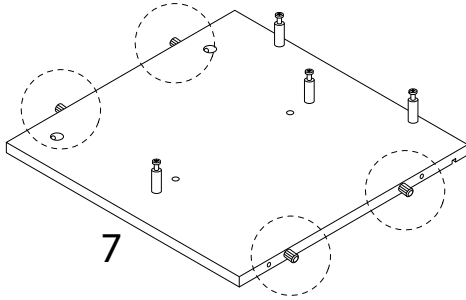


8

C

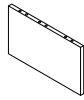


x4



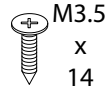
9

11



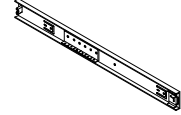
x1

G

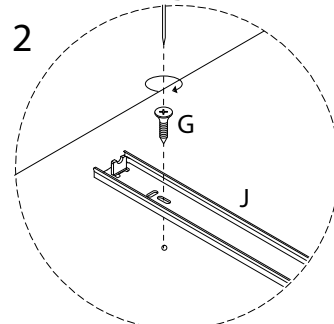
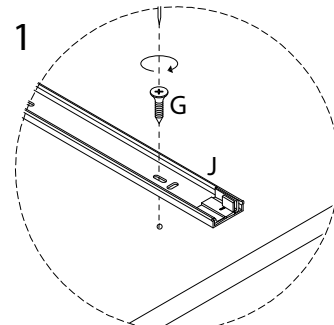
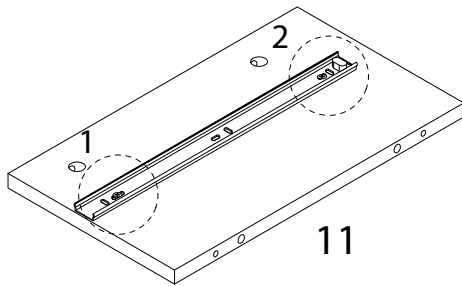


x2

J

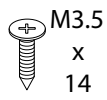


x1



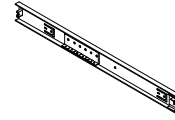
10

G

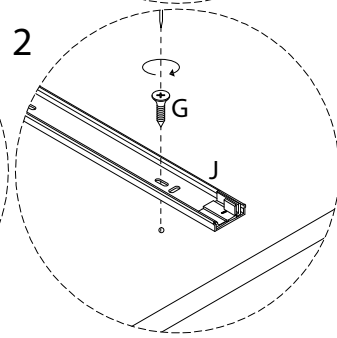
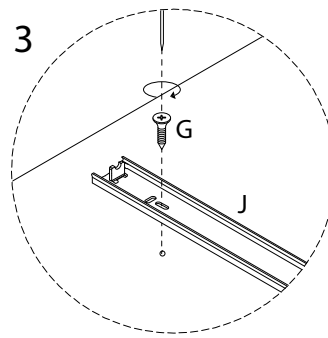
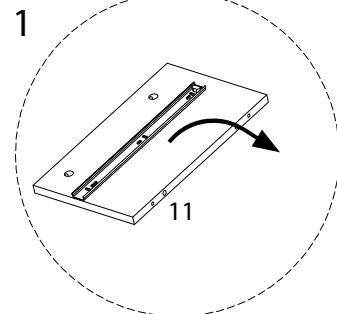
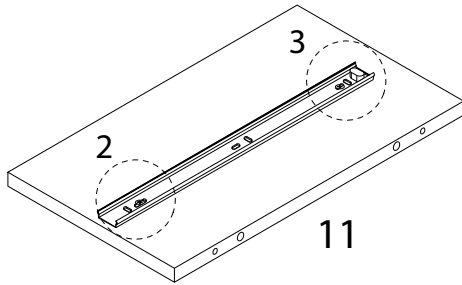


x 2

J



x 1

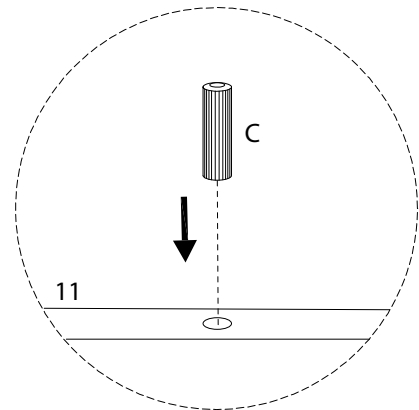
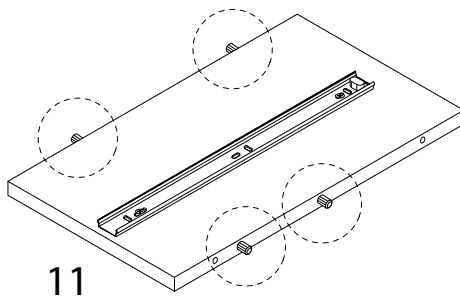


11

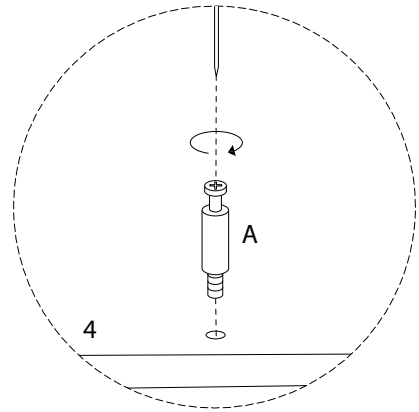
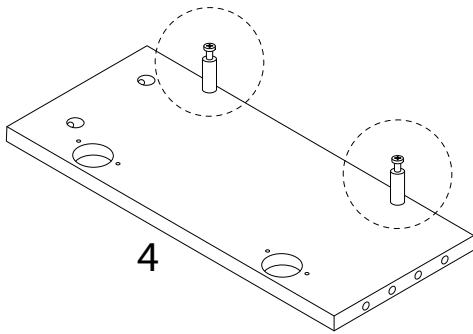
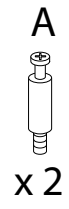
C



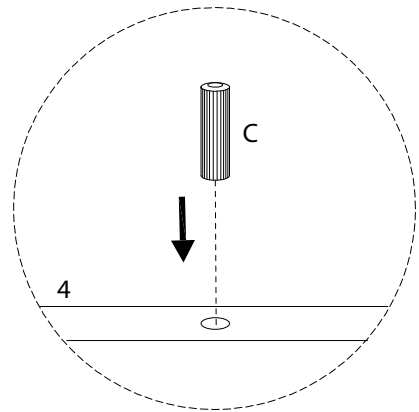
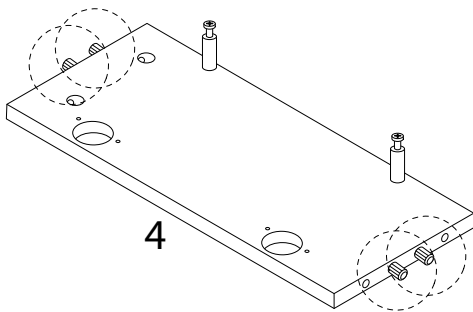
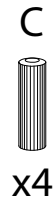
x 4



12

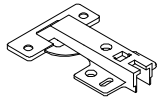


13



14

M

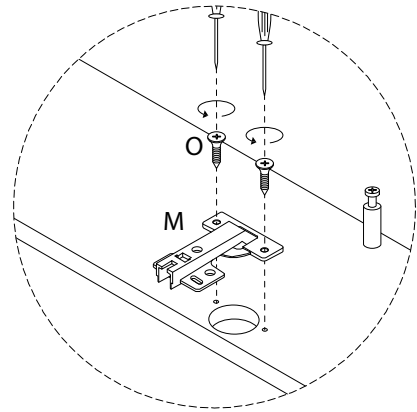
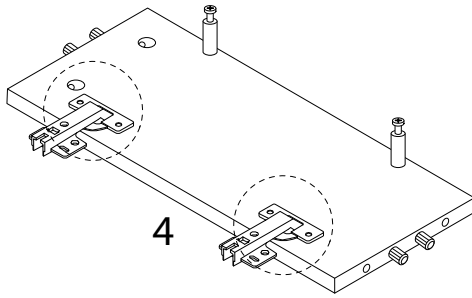


x 2

O



M4
x
14
x 4



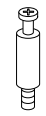
15

5

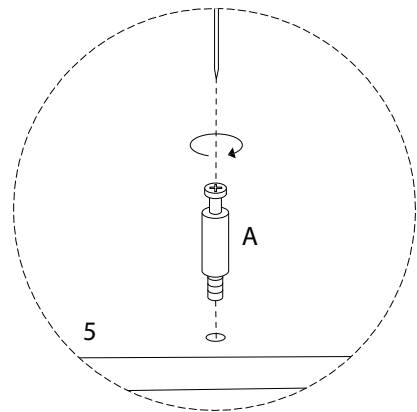
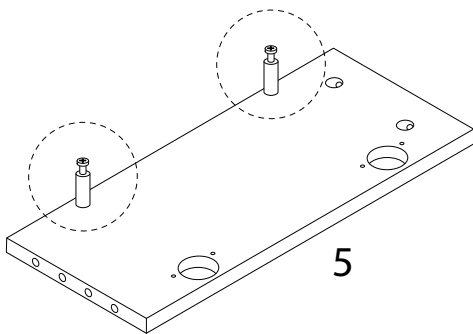


x 1

A



x 2

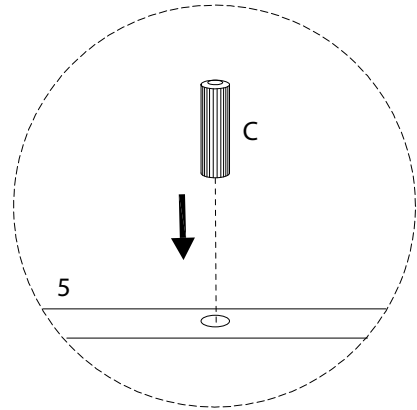
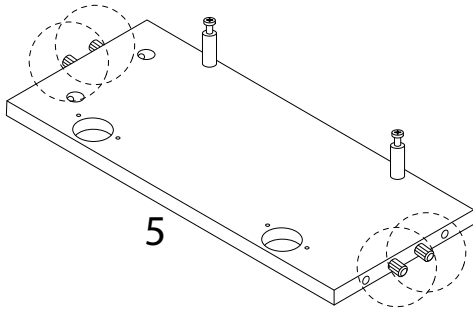


16

C

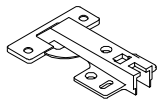


x4



17

M



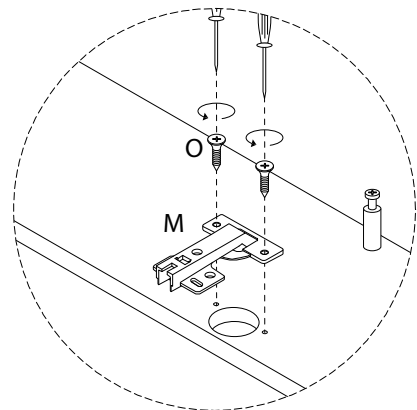
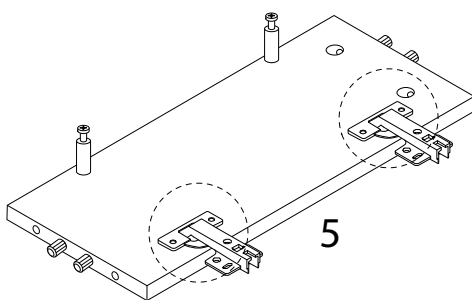
x 2

O

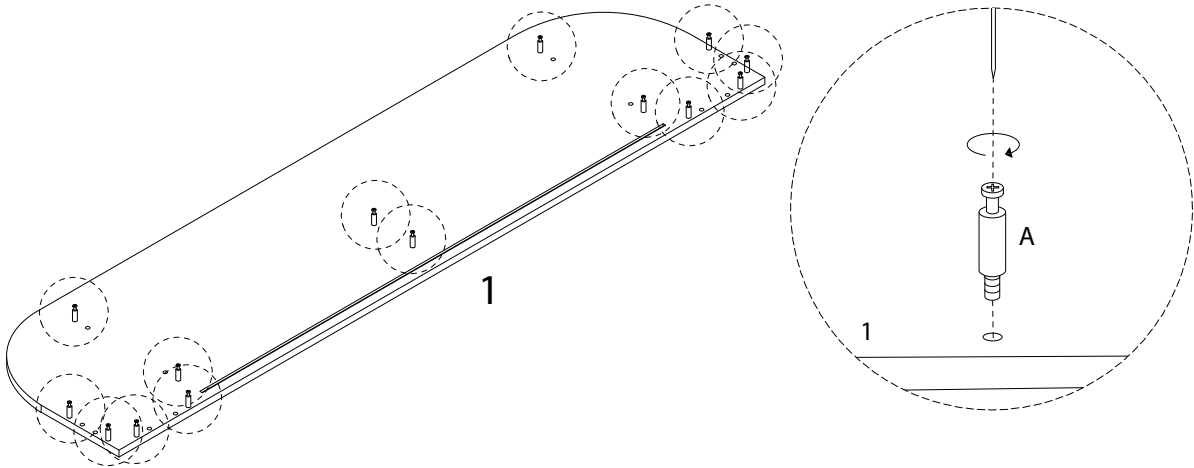
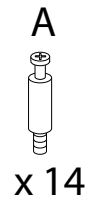
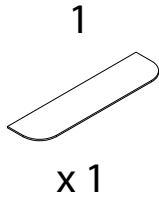


M4
x
14

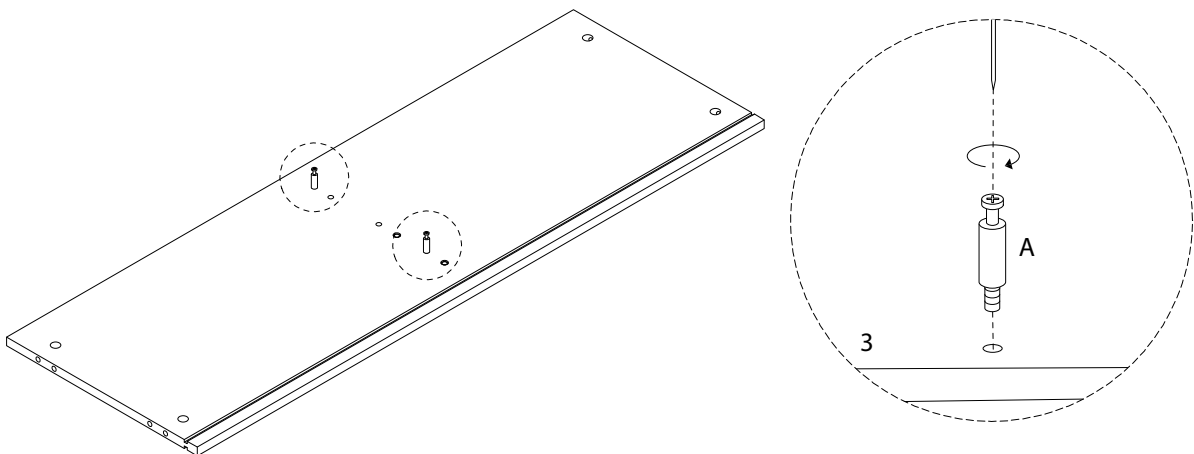
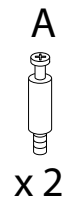
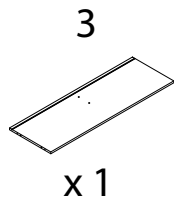
x 4



18



19

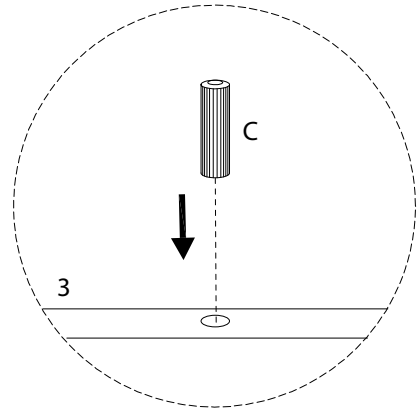
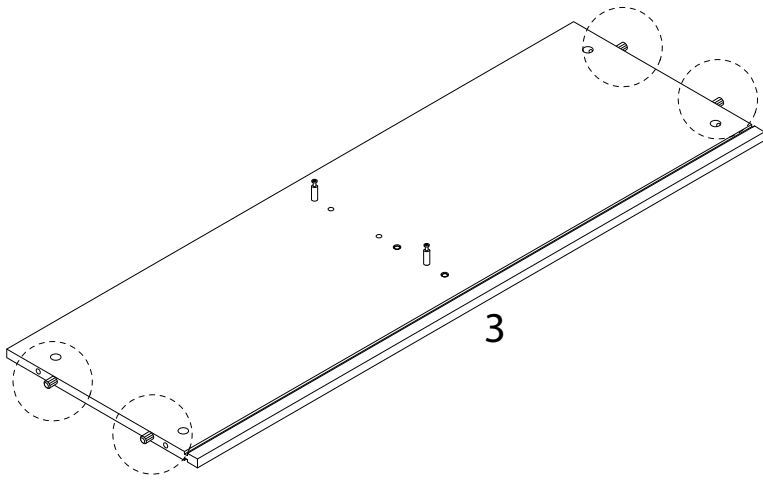


20

C



x 4

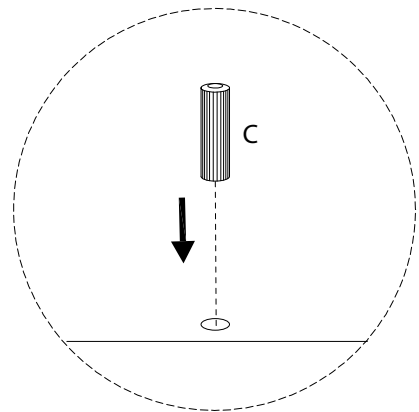
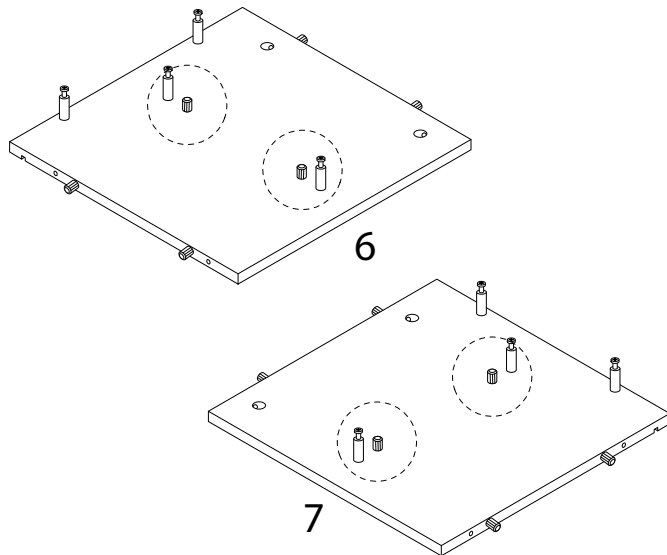


21

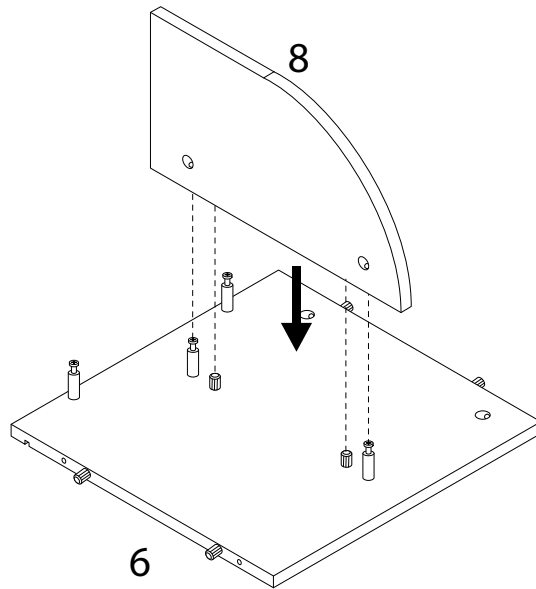
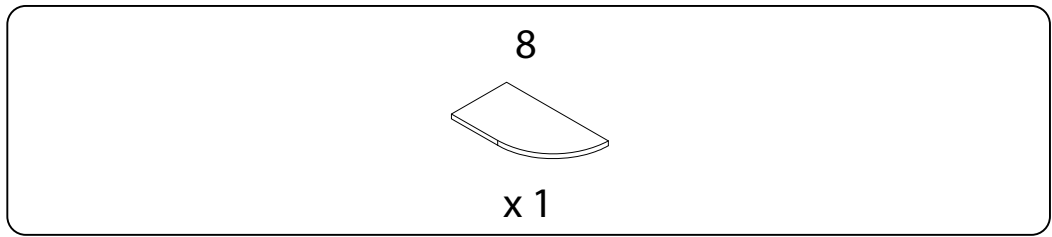
C



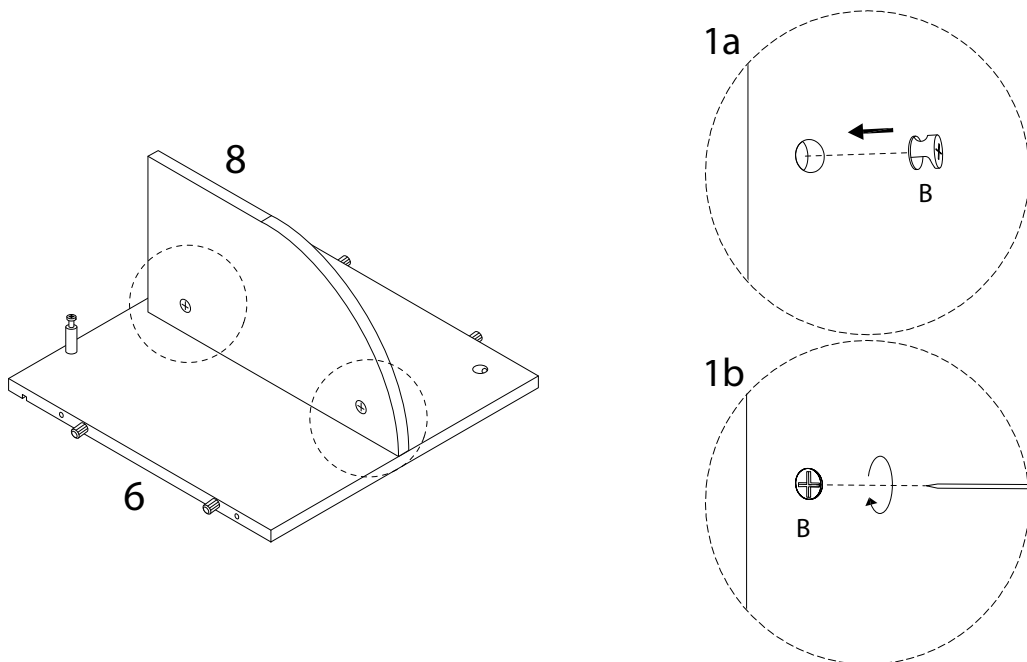
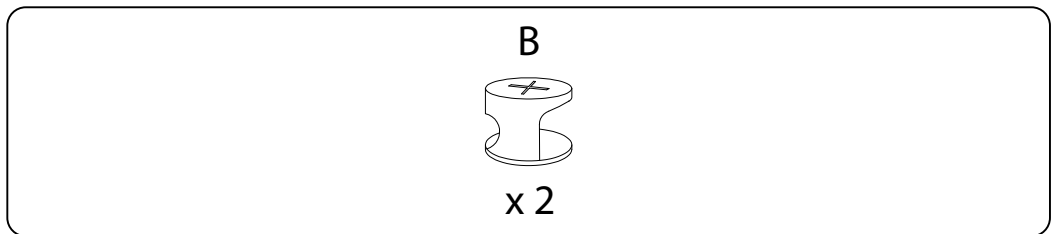
x 4



22

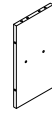


23

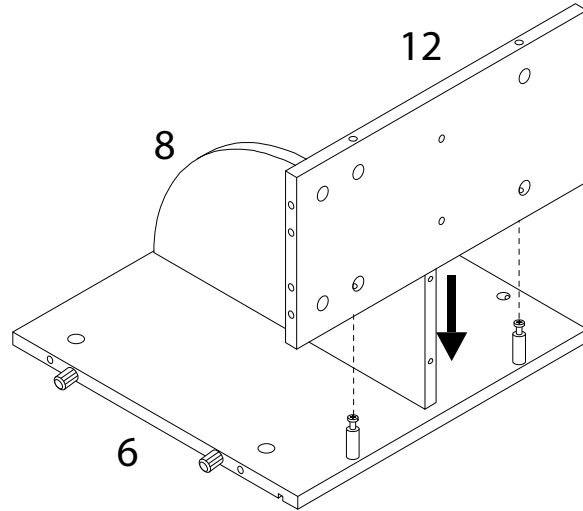


24

12



x 1

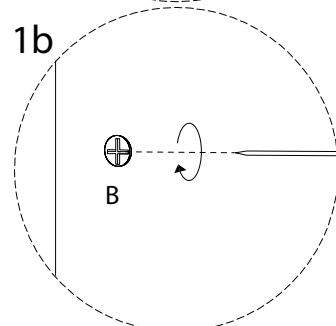
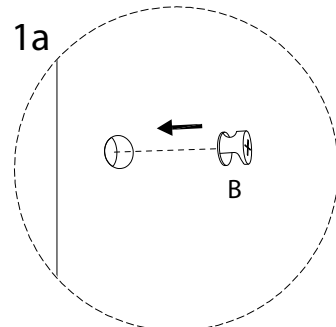
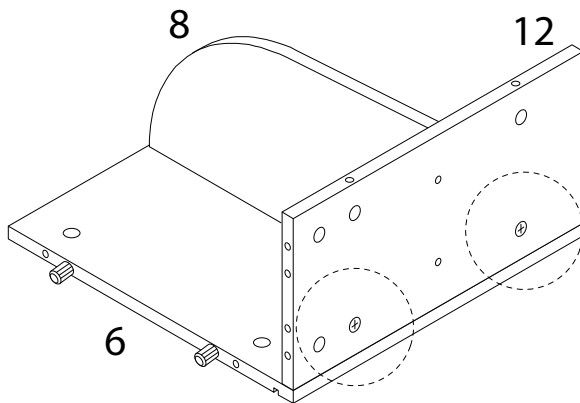


25

B

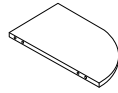


x 2

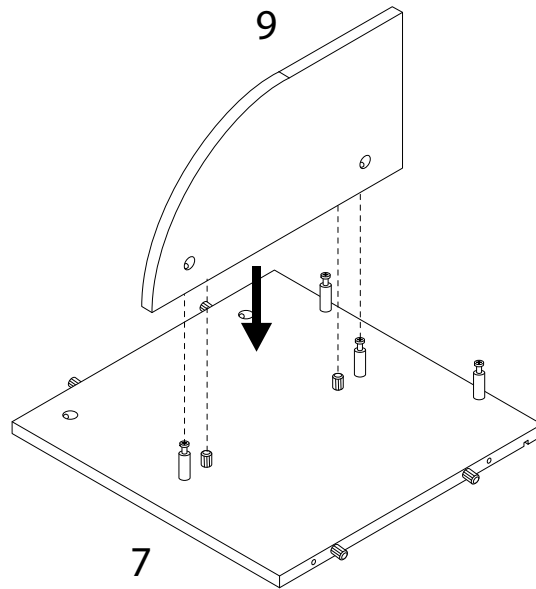


26

9



x 1

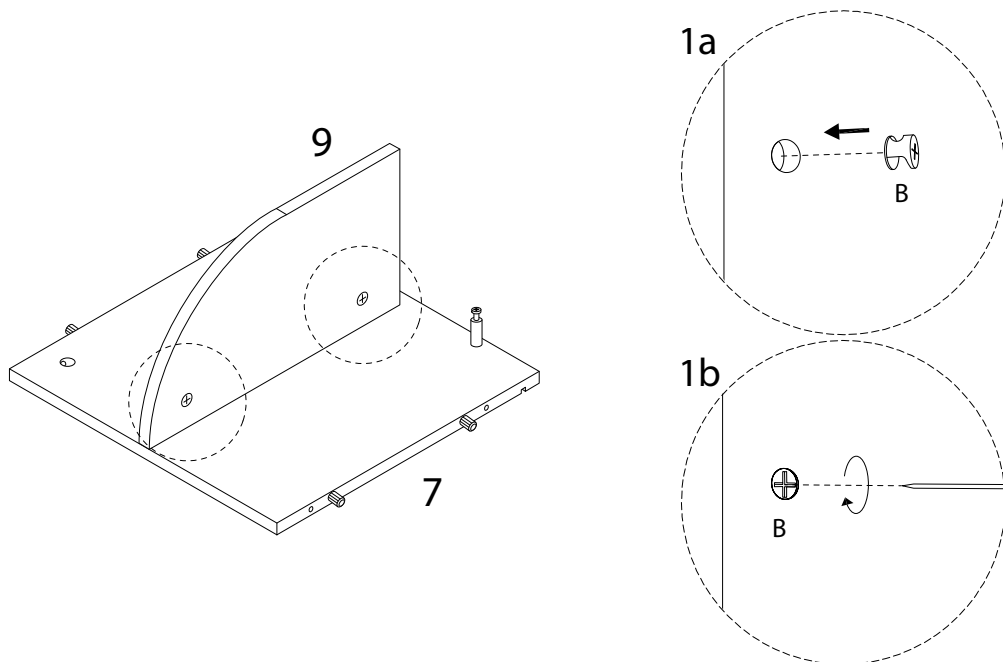


27

B

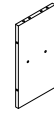


x 2

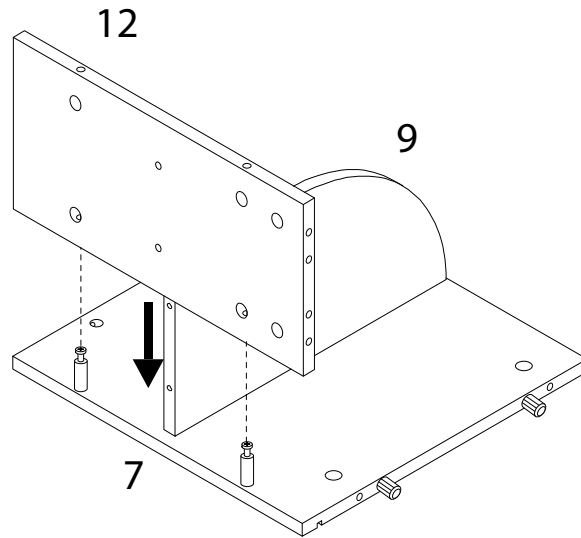


28

12



x 1

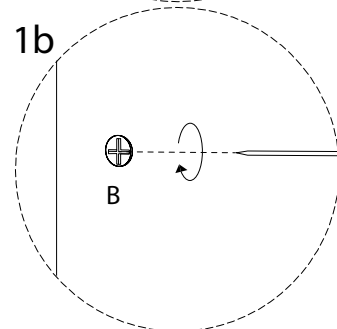
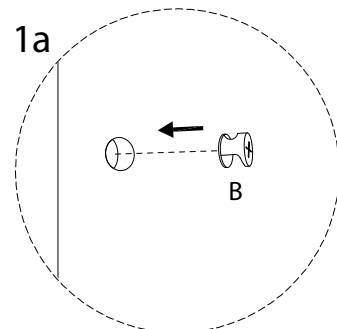
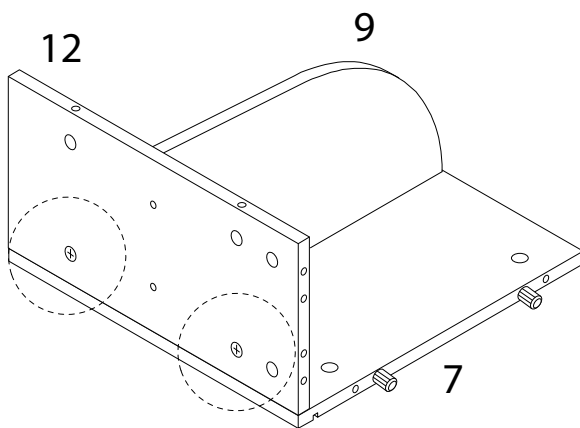


29


B

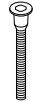


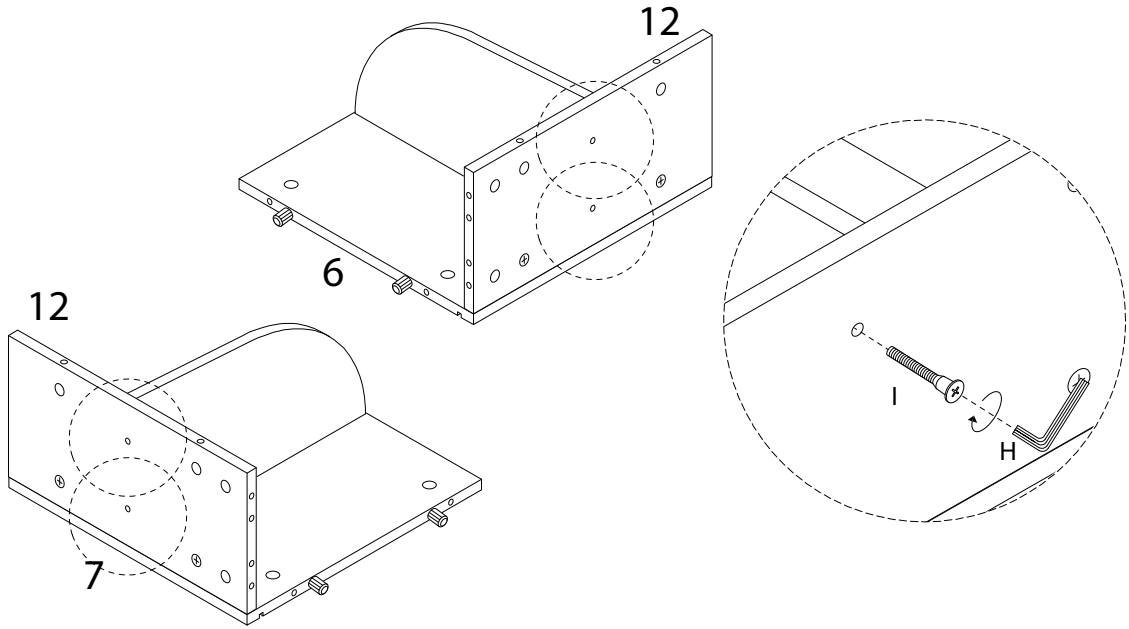
x 2



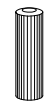
30

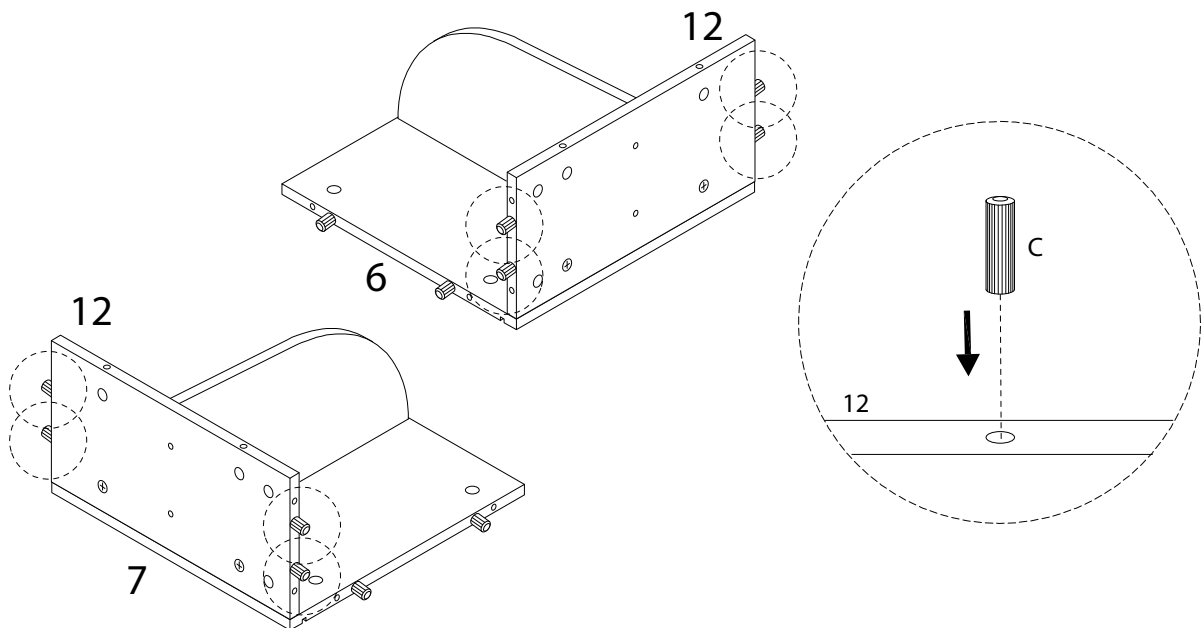
H

x 1

I

M7
x
50
x 4

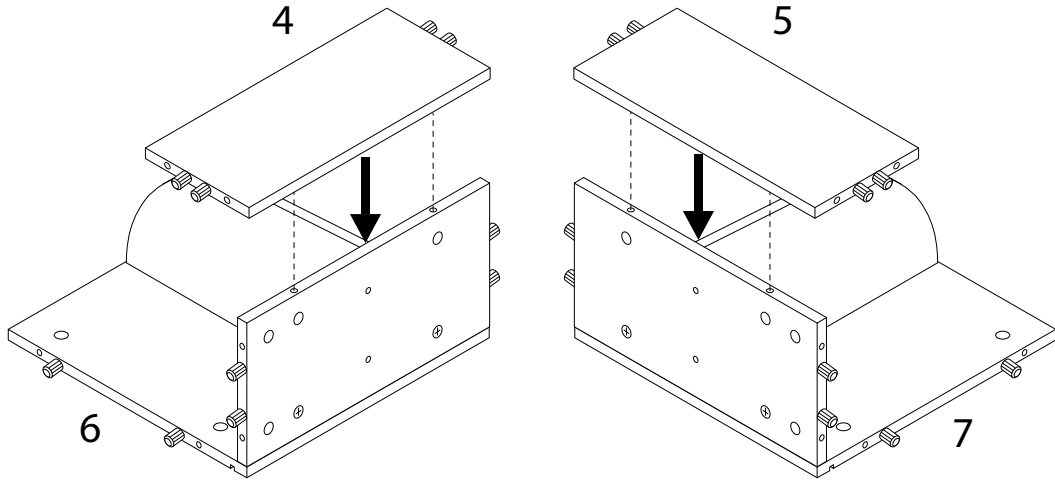


31

C

x 8



32

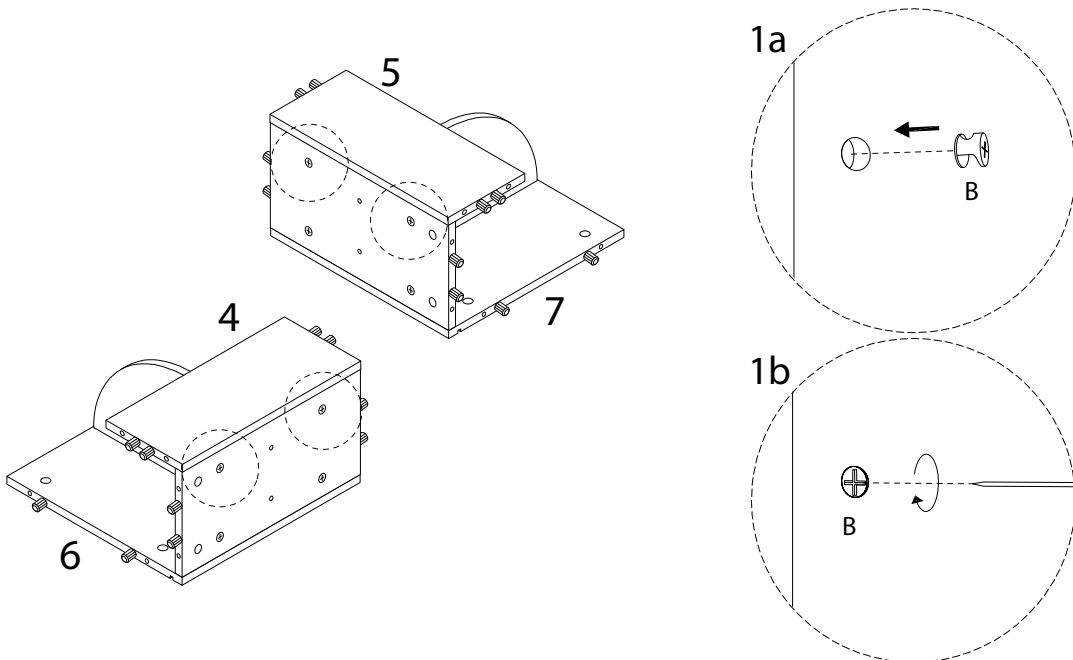


33

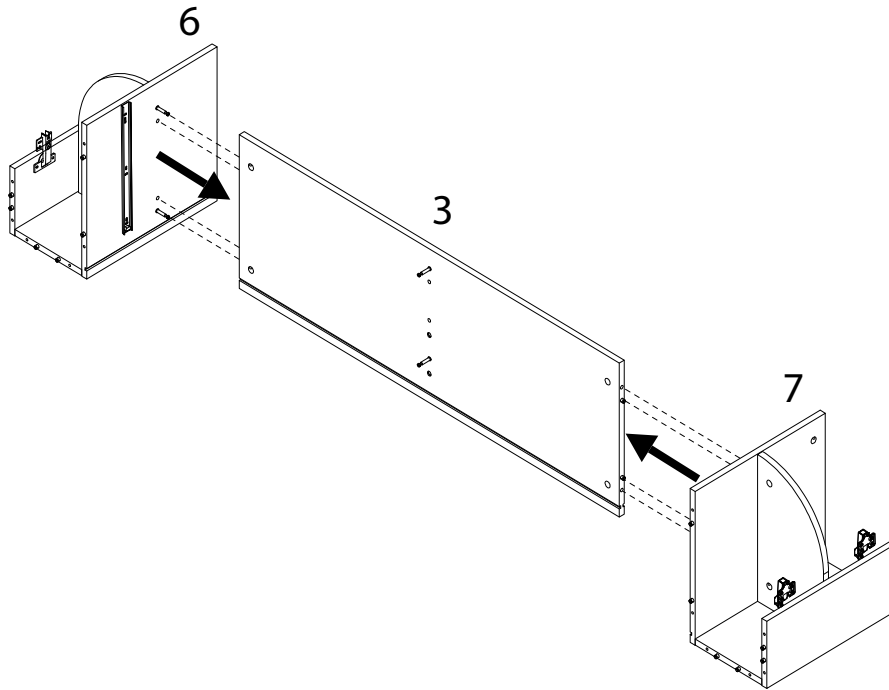
B



x 4



34

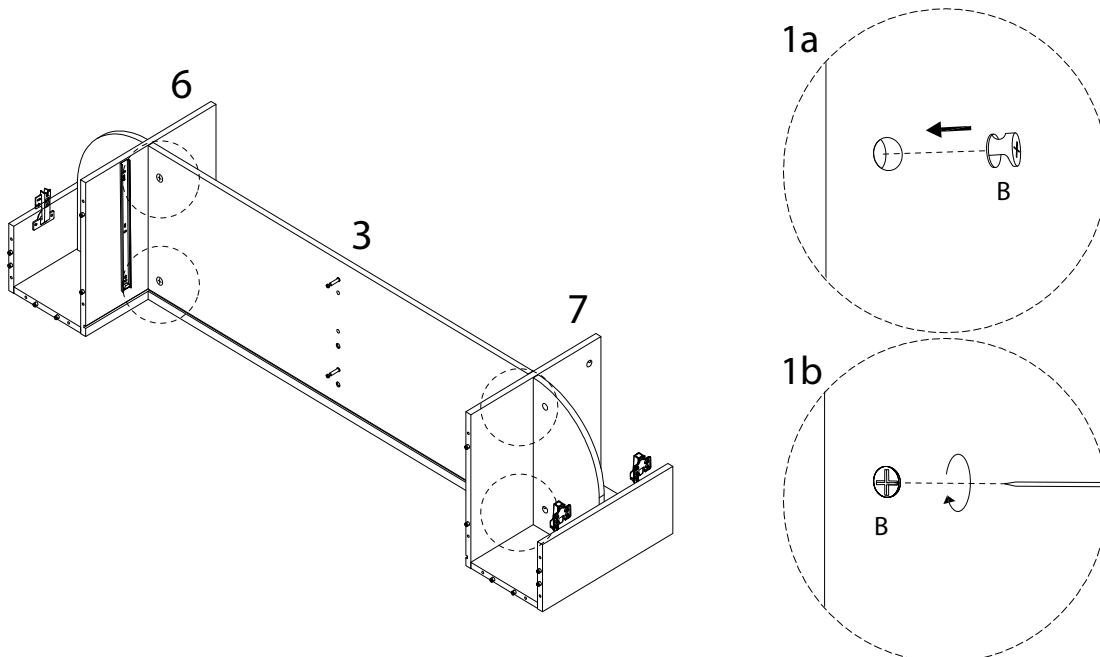


35

B

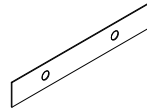


x 4

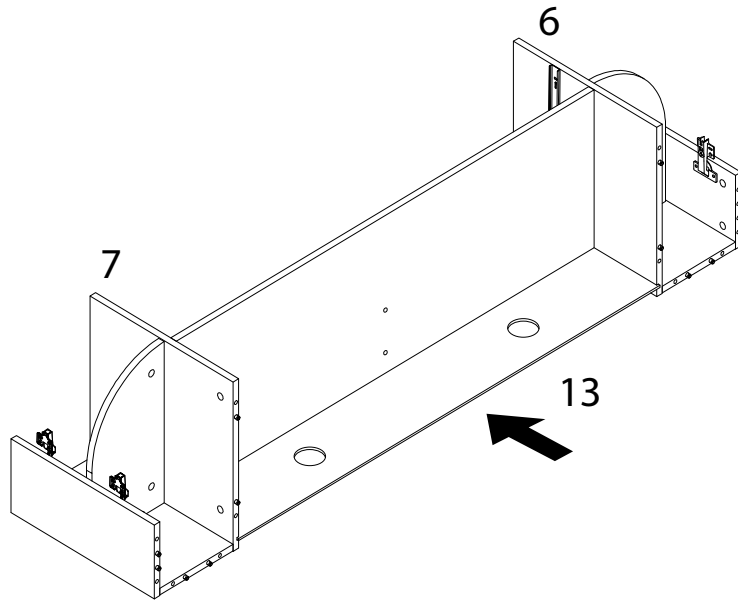


36

13

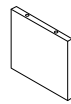


x 1

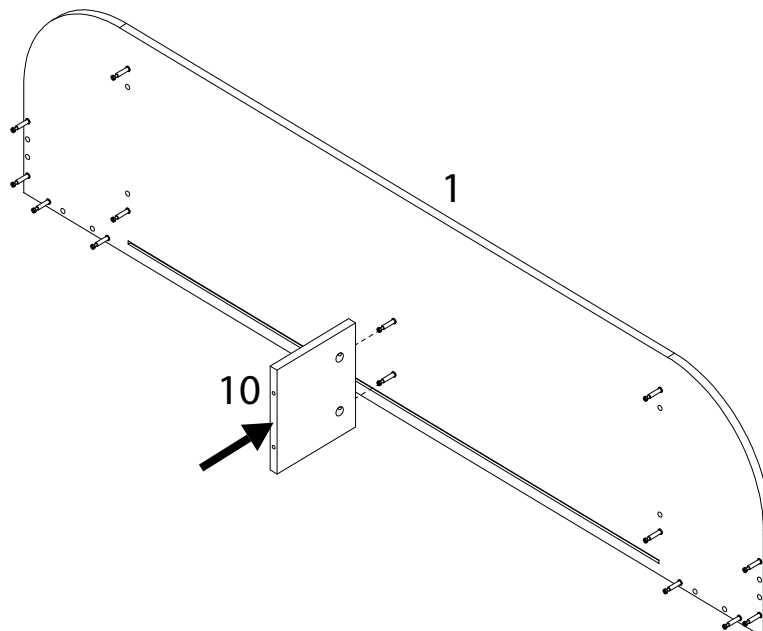


37

10



x 1

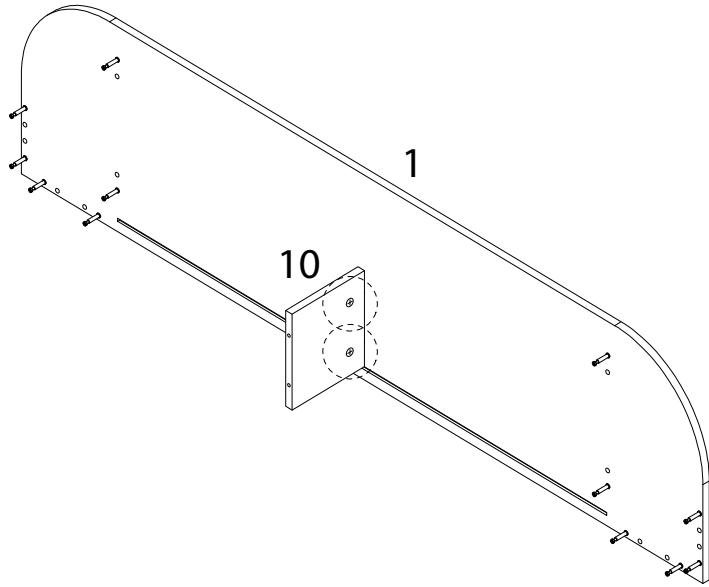


38

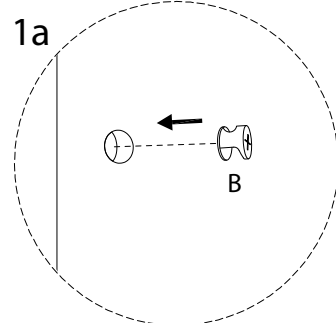
B



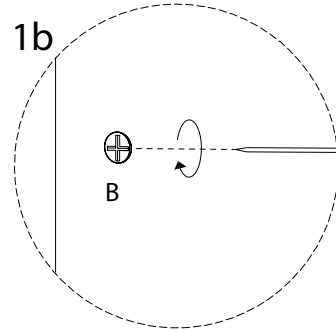
x2



1a



1b

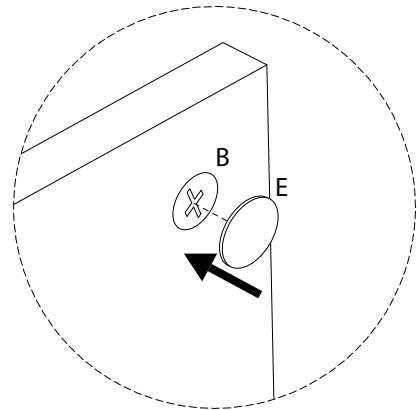
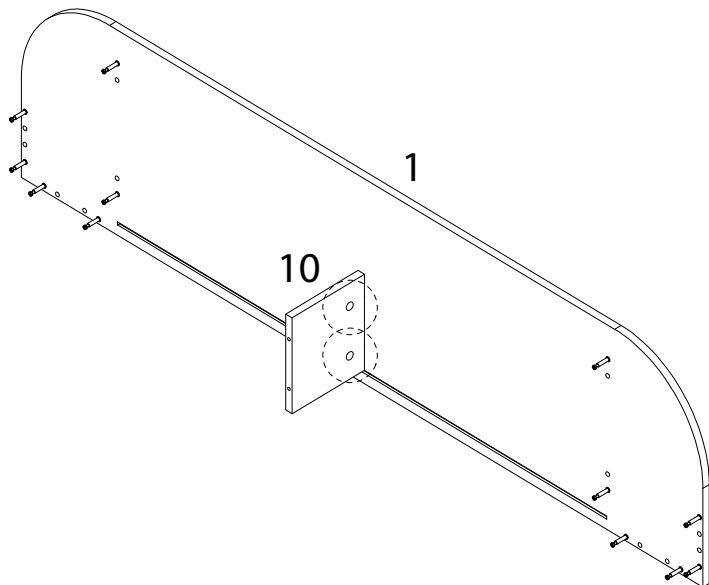


39

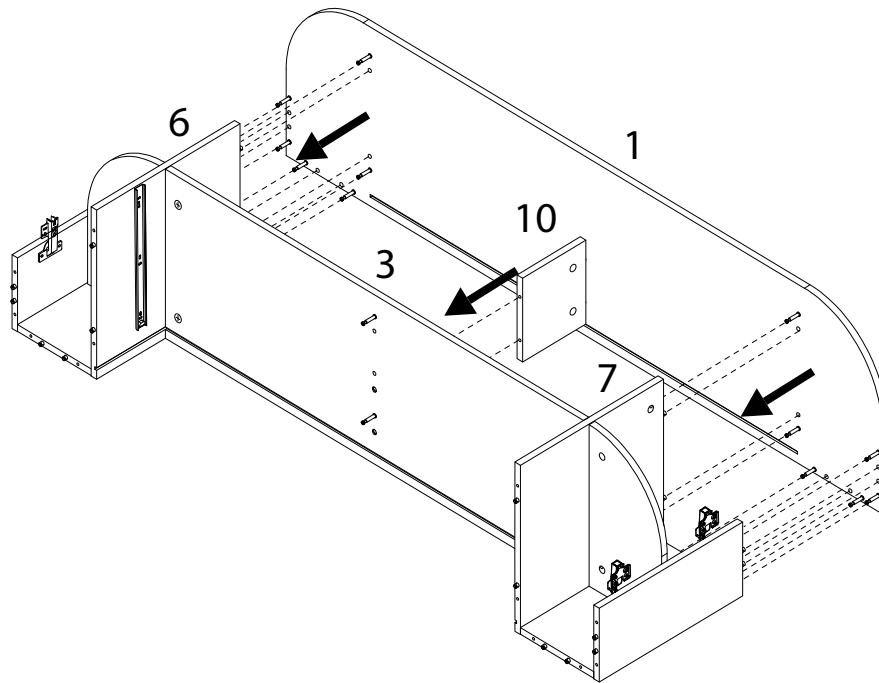
E



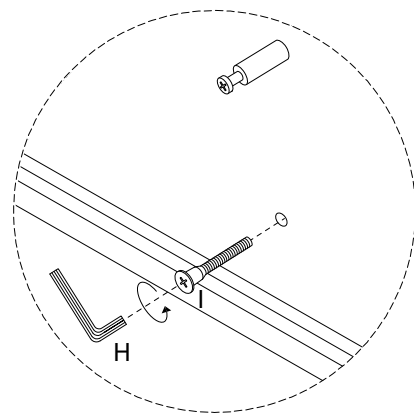
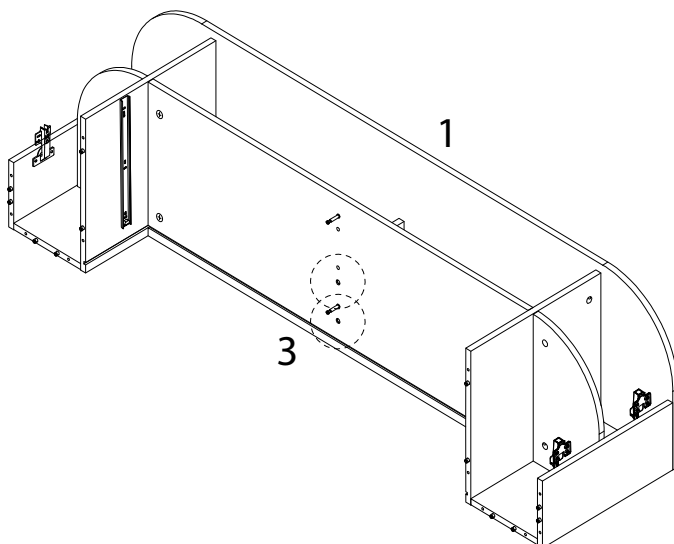
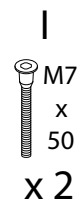
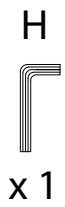
x2



40



41

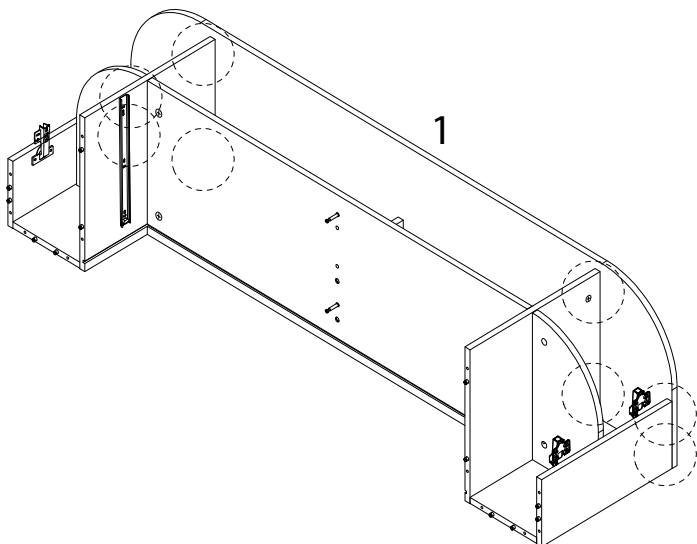


42

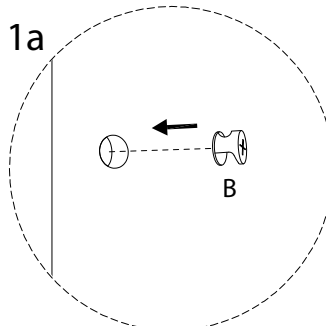
B



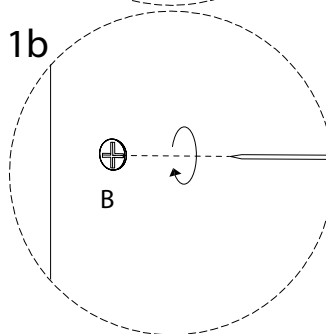
x 8



1a



1b

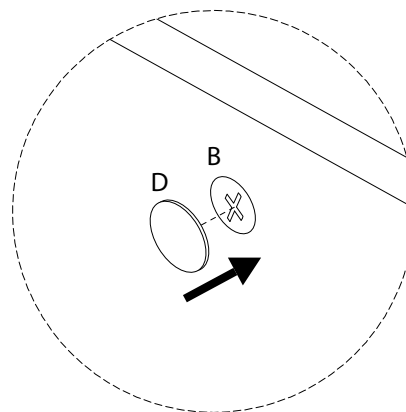
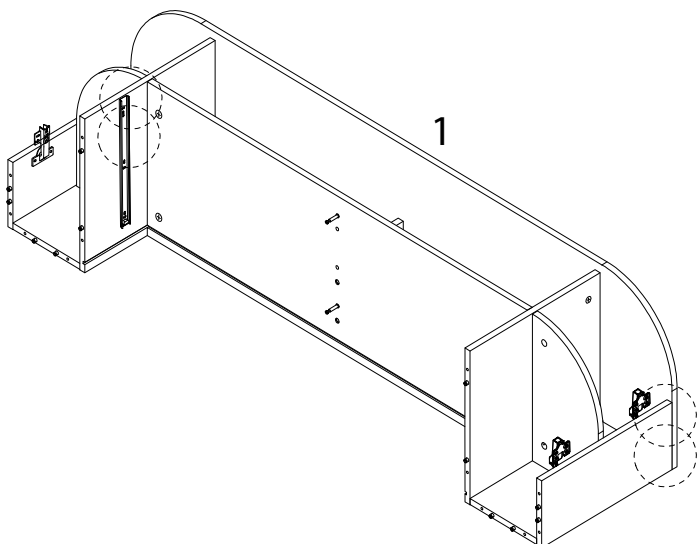


43

D

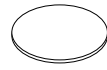


x 4

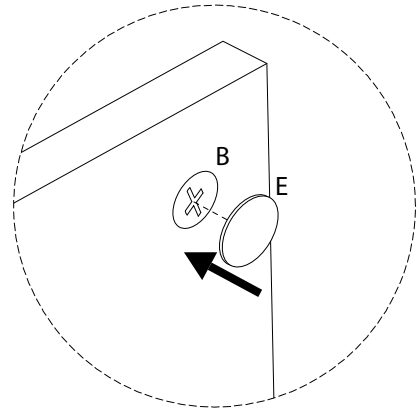
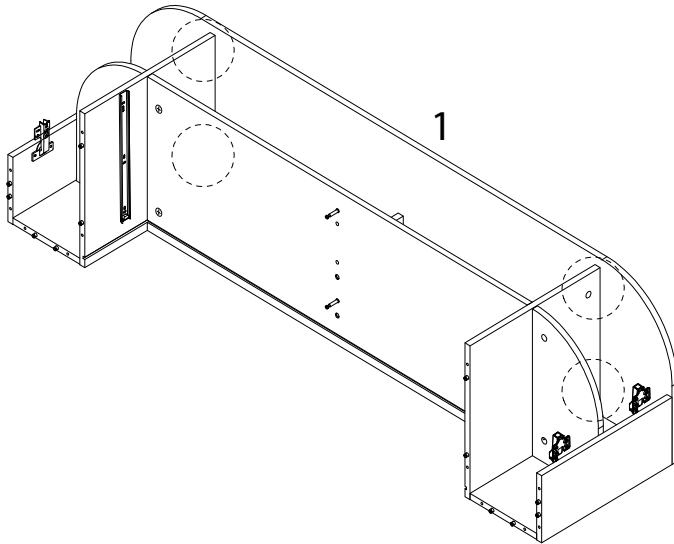


44

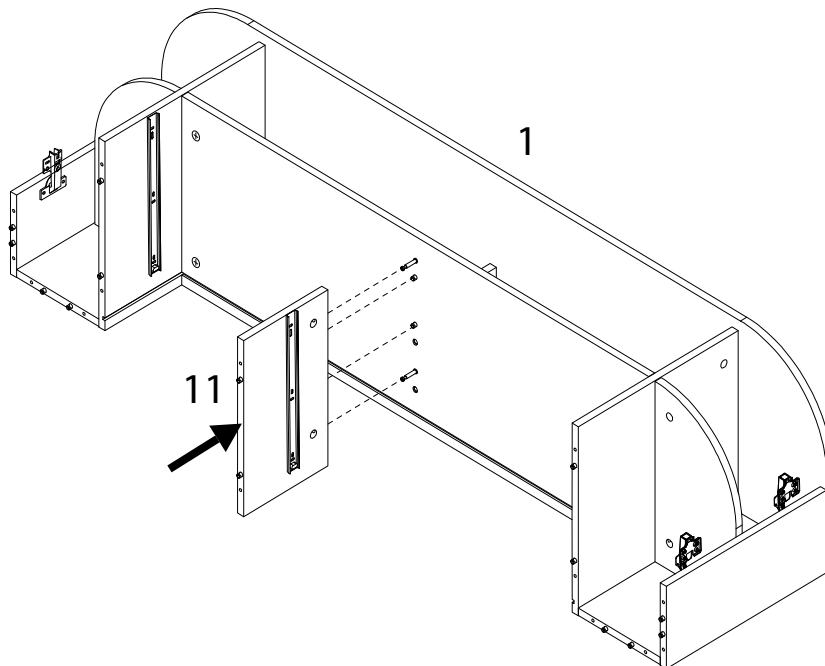
E



x 4



45

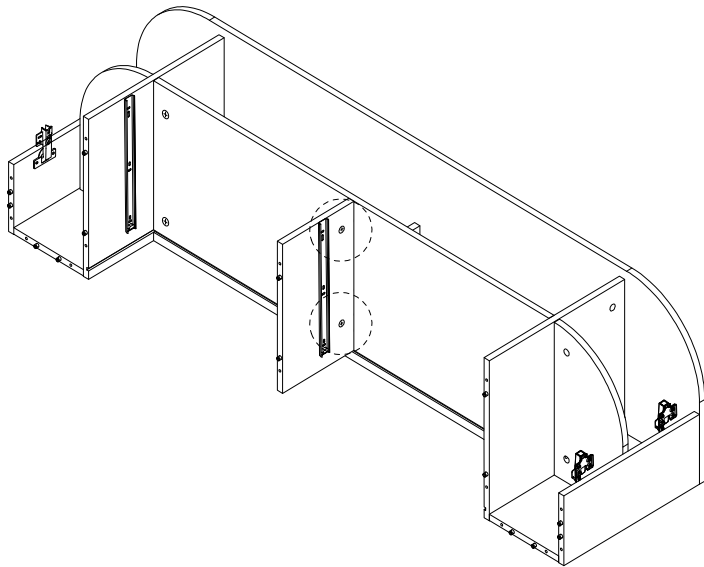


46

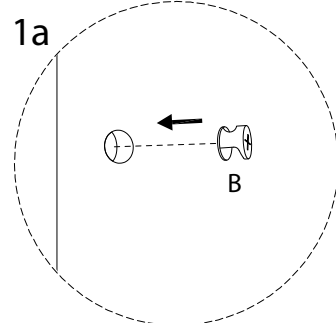
B



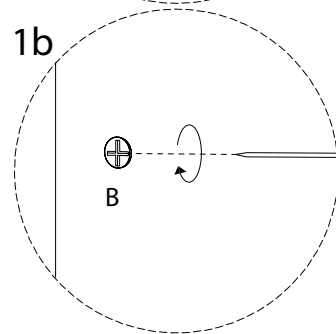
x 2



1a

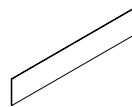


1b

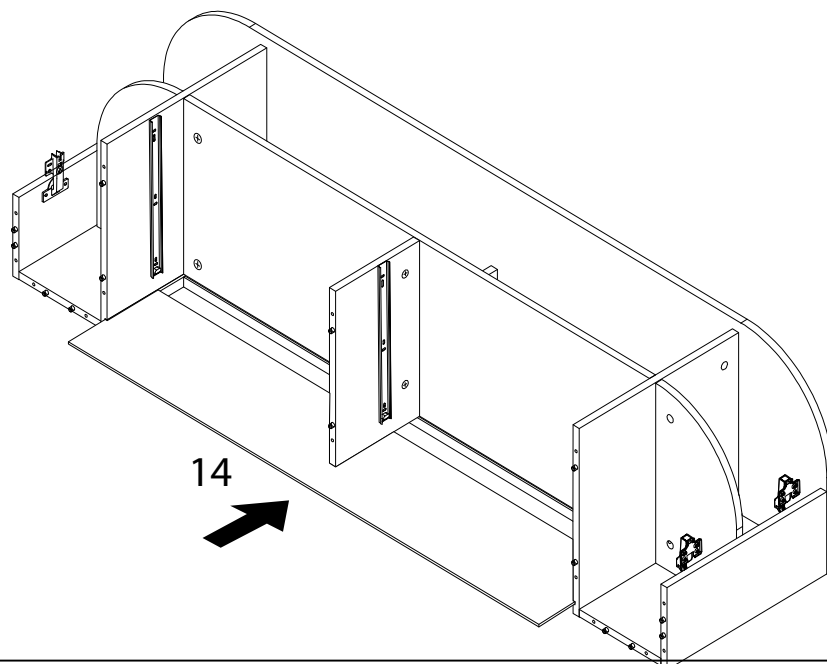


47

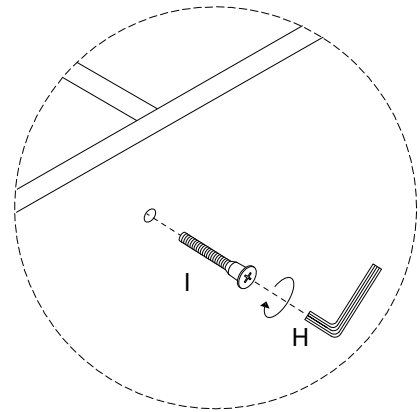
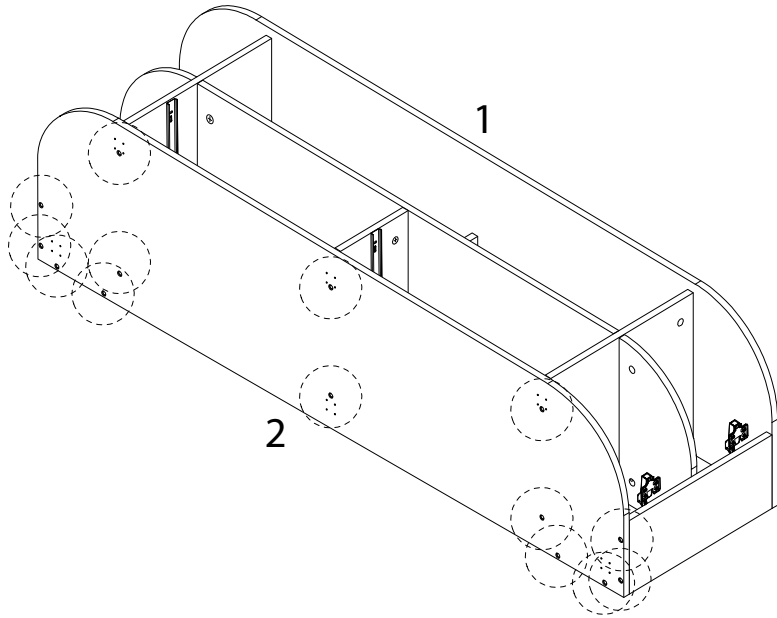
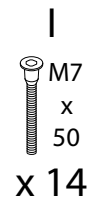
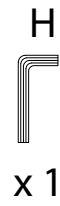
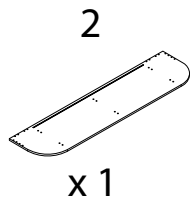
14



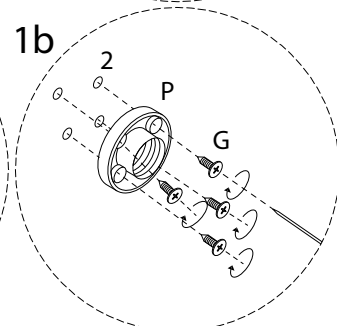
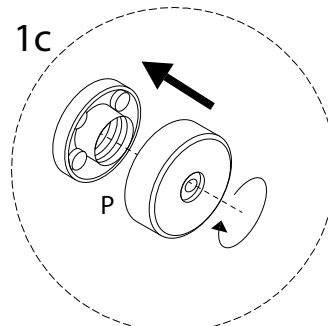
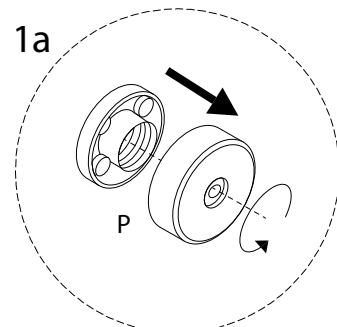
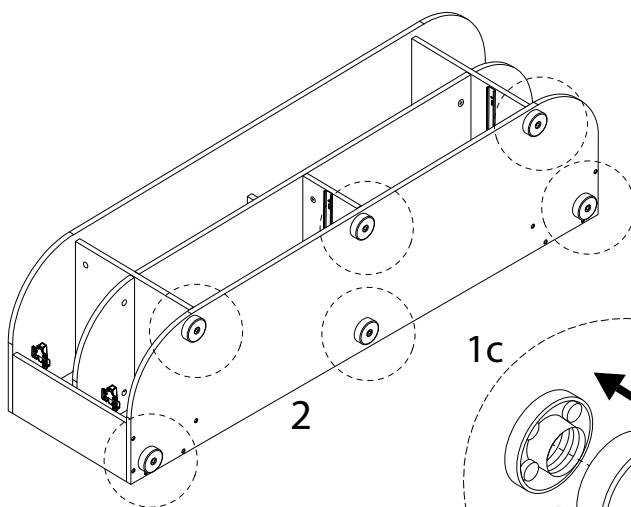
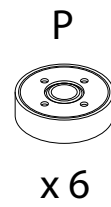
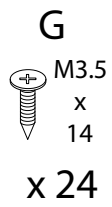
x 1



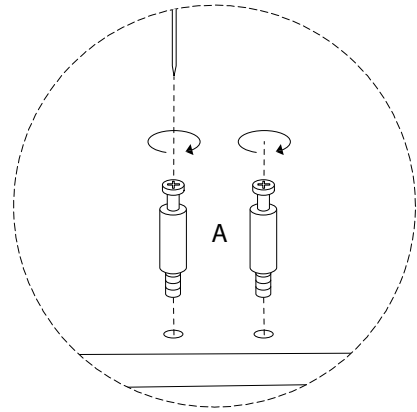
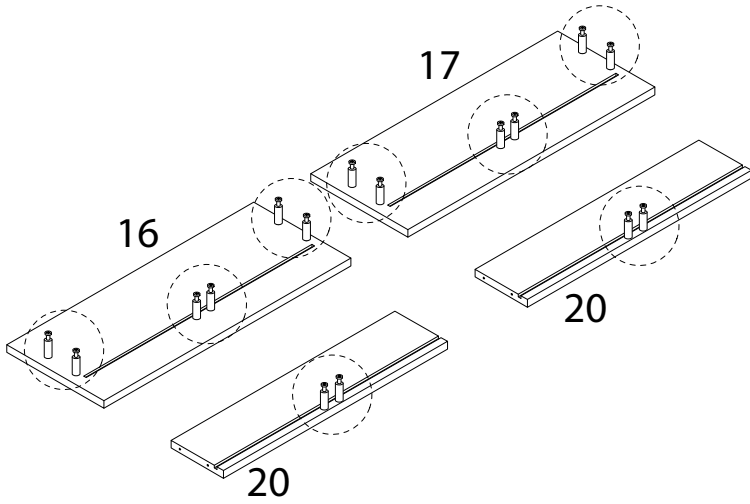
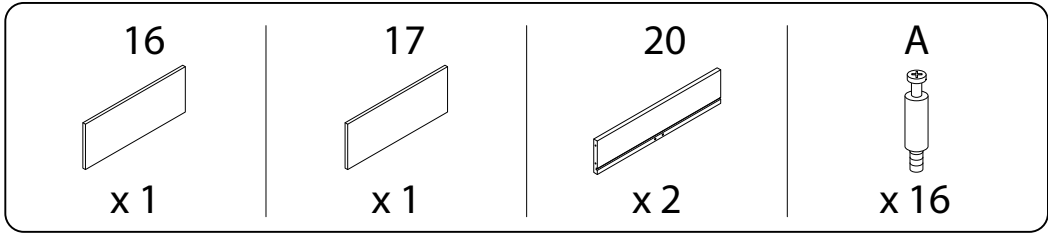
48



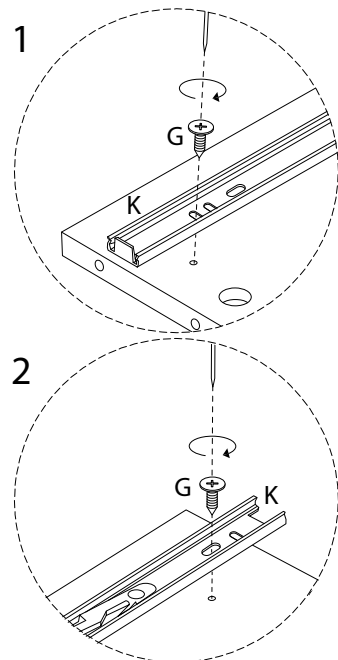
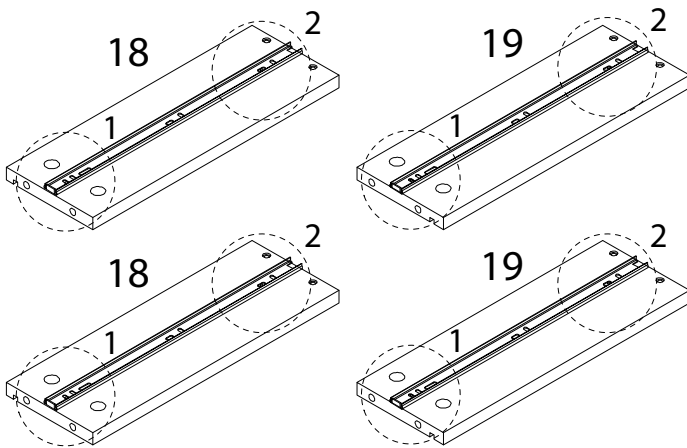
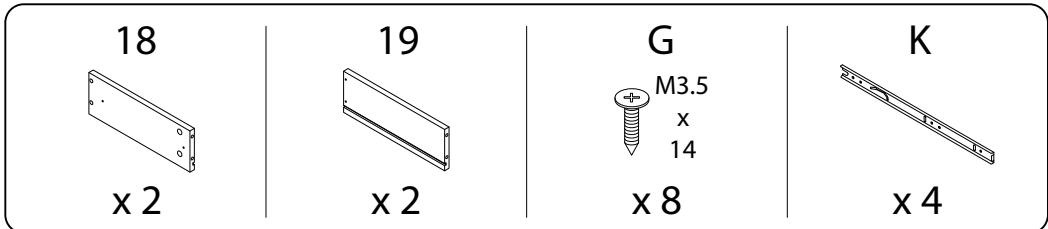
49



50

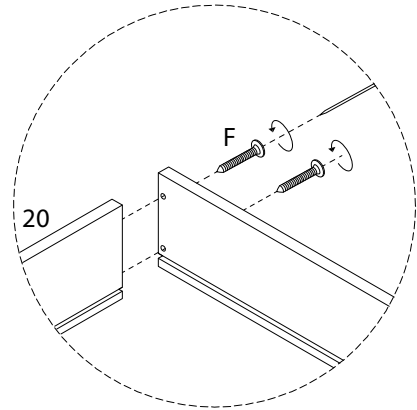
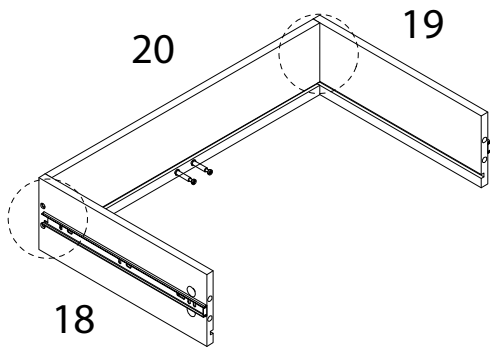
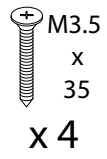


51



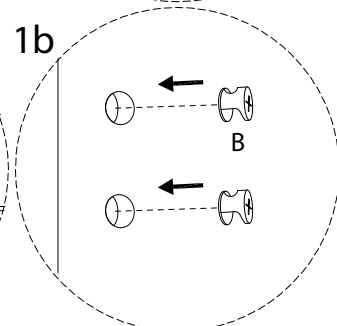
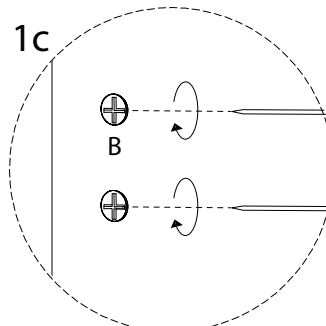
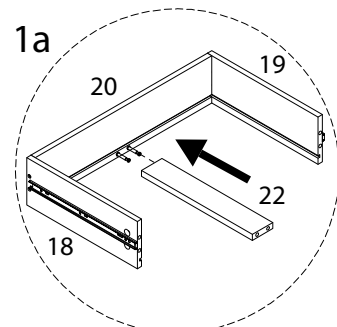
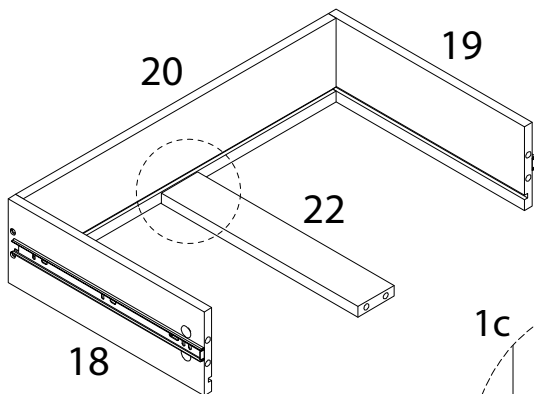
52 x 2

F

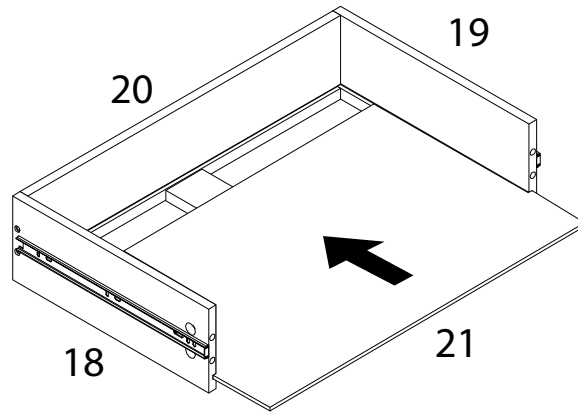
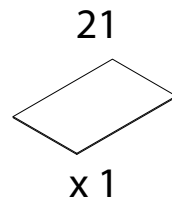


53 x 2

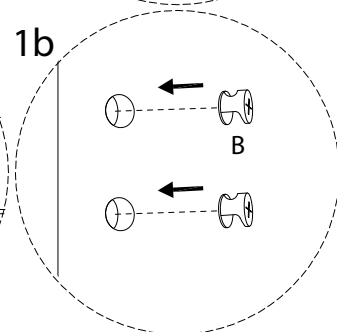
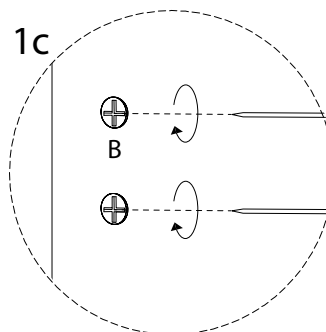
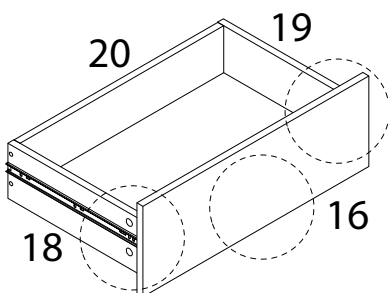
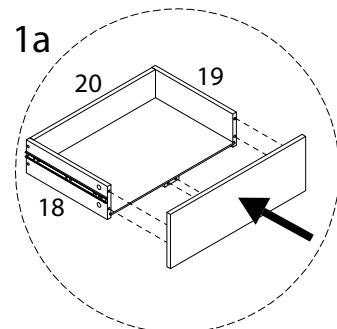
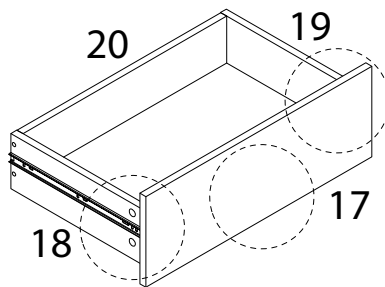
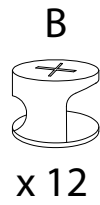
B



54 x 2

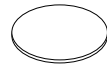


55

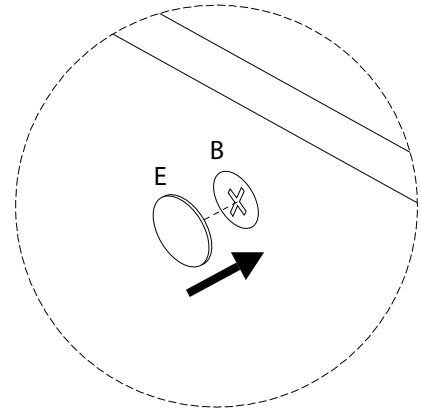
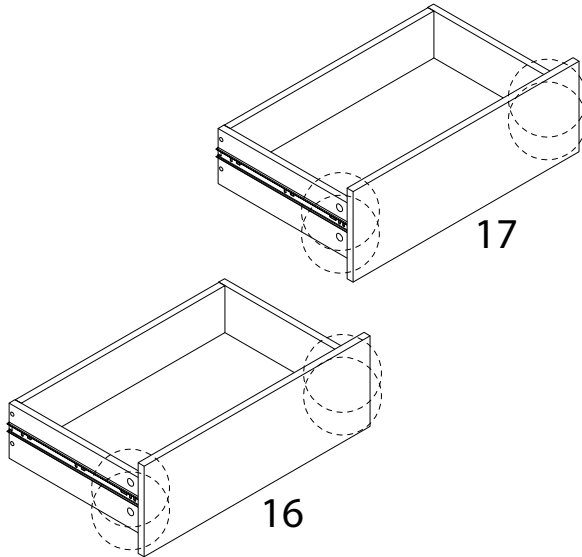


56

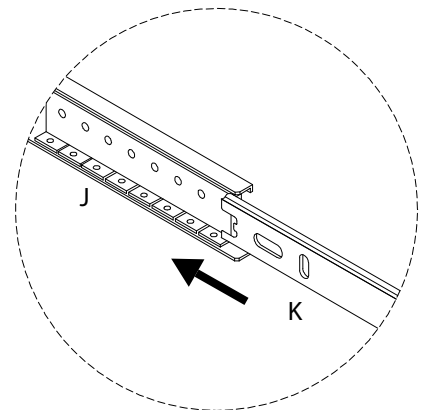
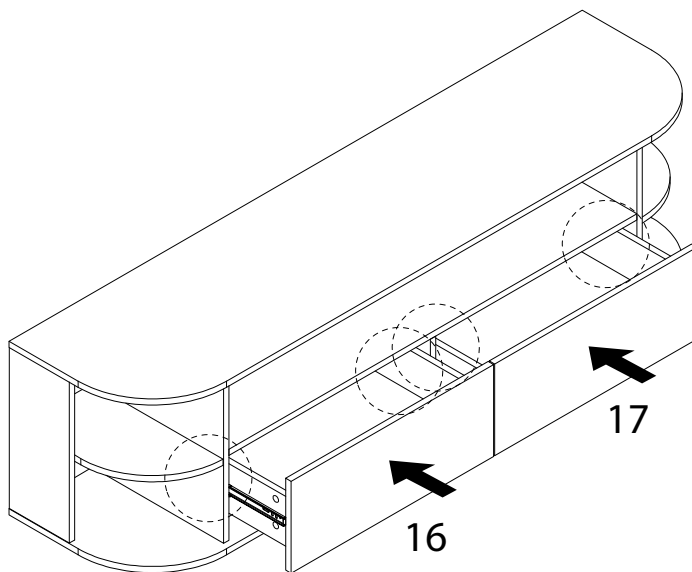
E



x 8



57



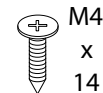
58

15



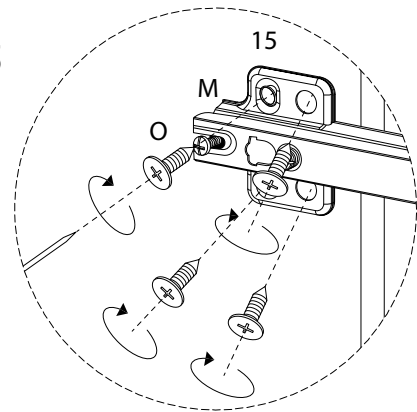
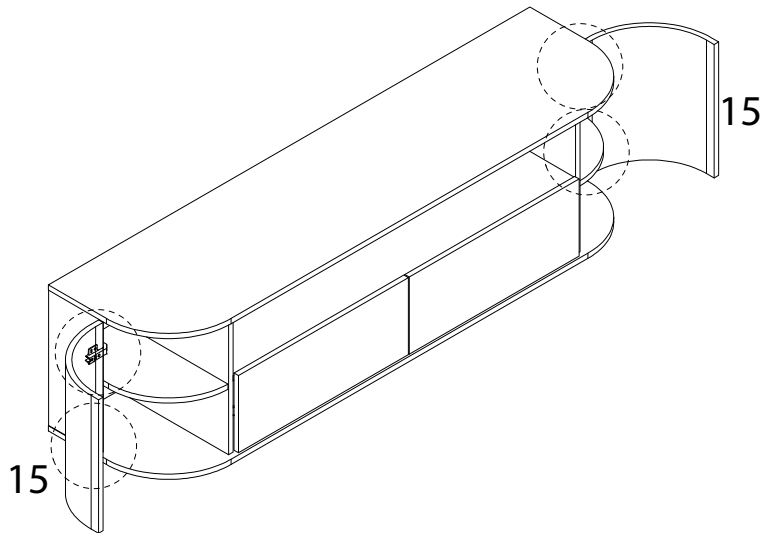
x 2

O



M4
x
14

x 16

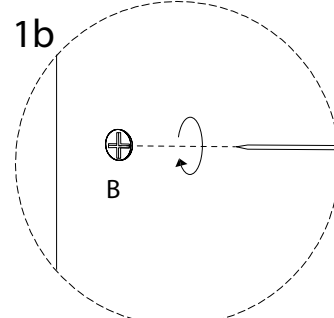
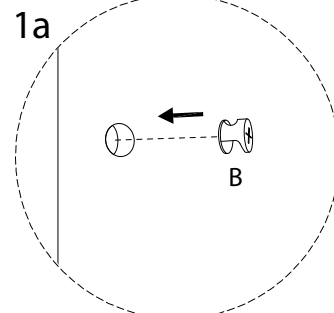
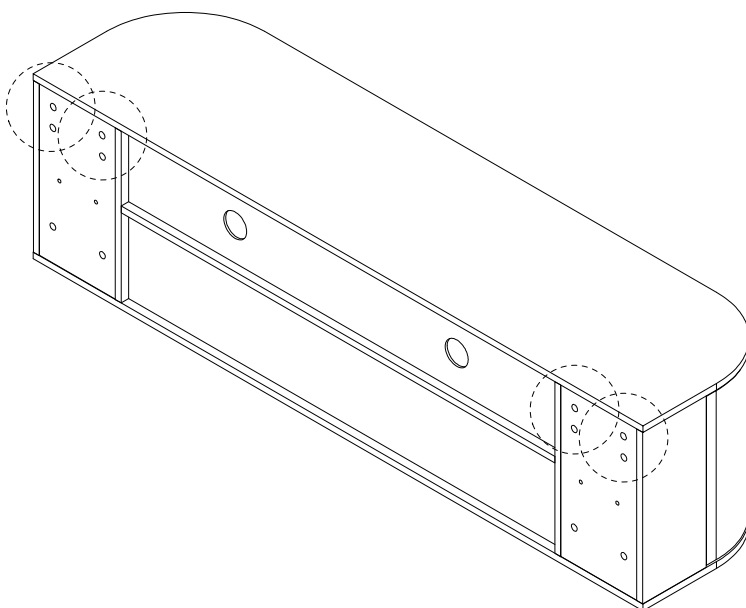


59

B

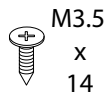


x 4



60

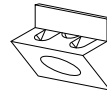
G



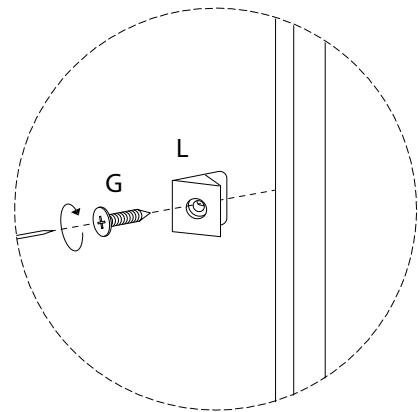
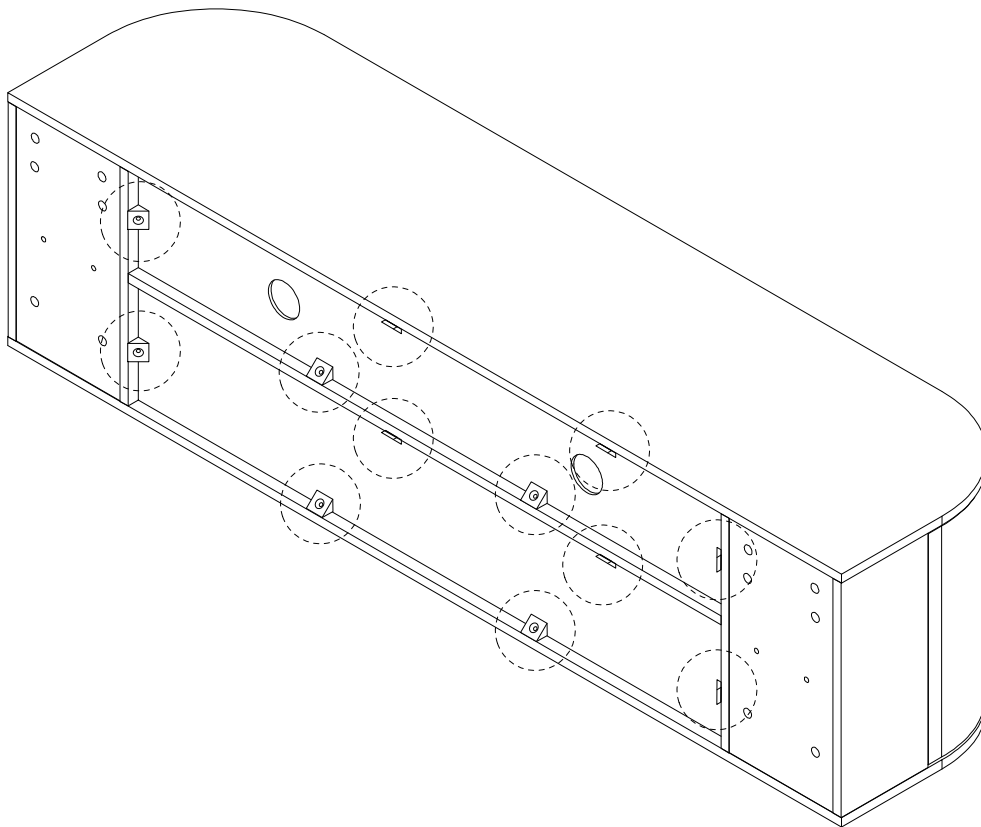
M3.5
x
14

x 12

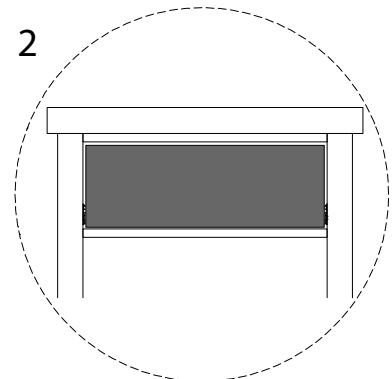
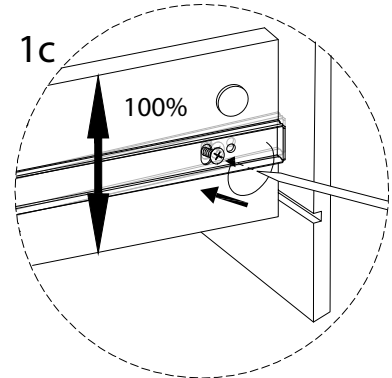
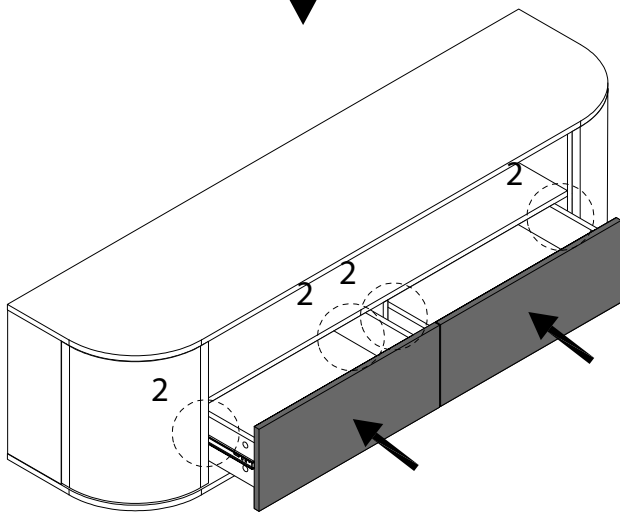
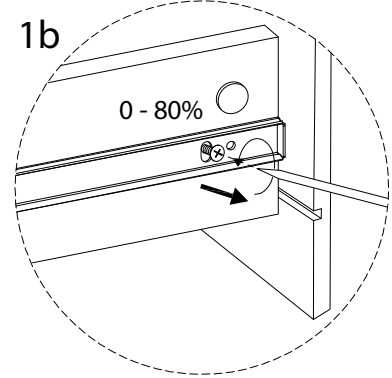
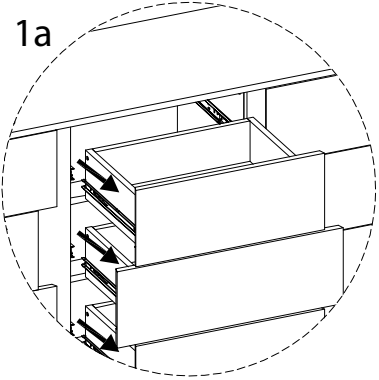
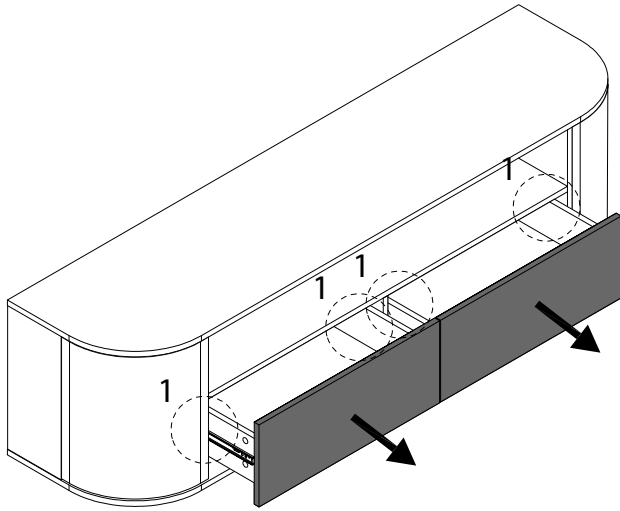
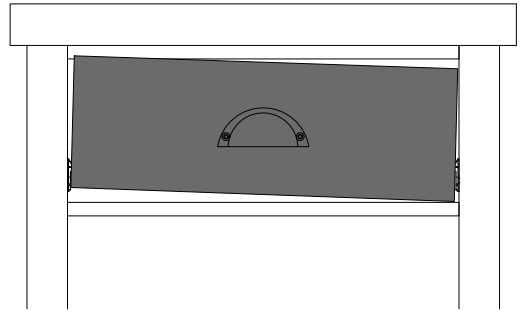
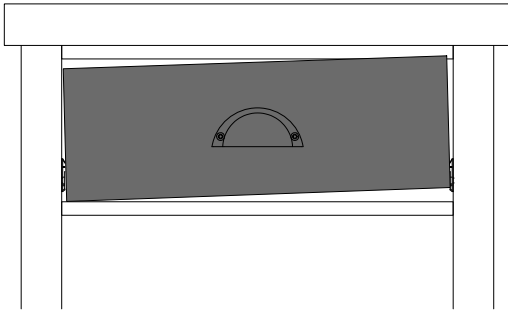
L



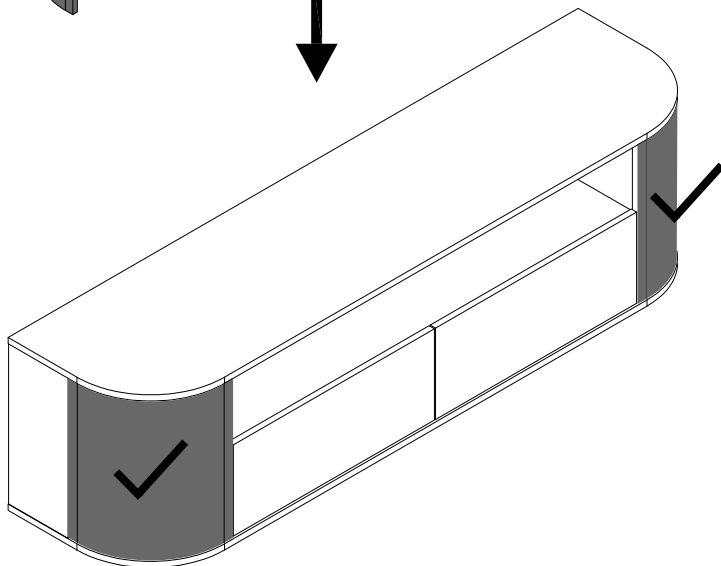
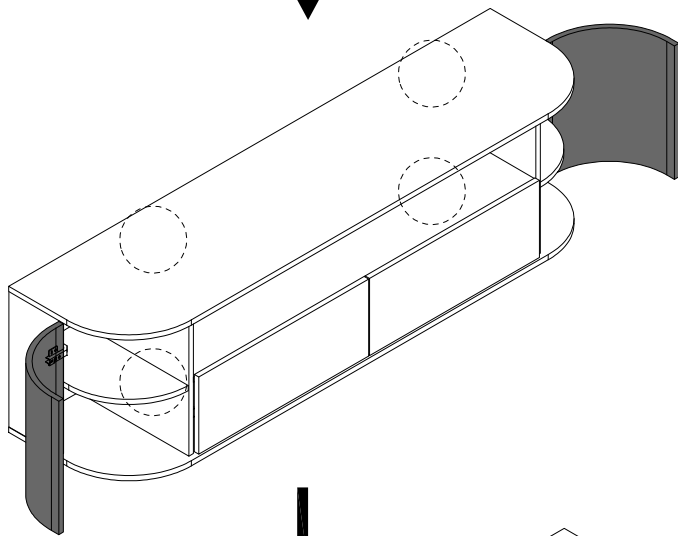
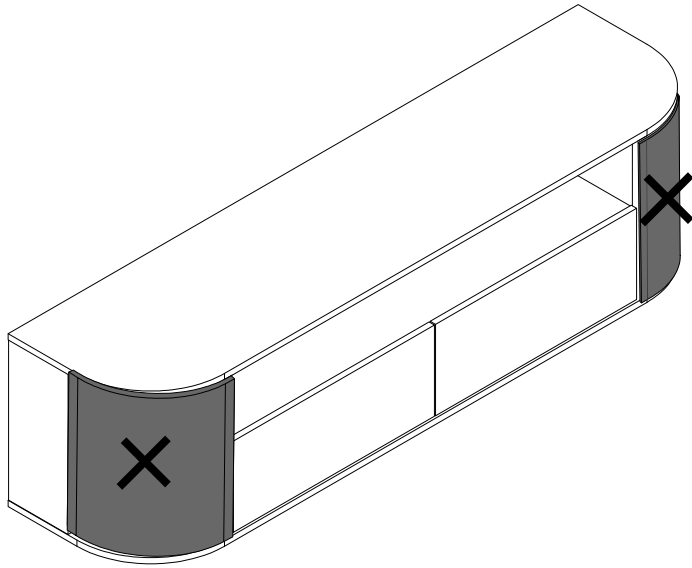
x 12



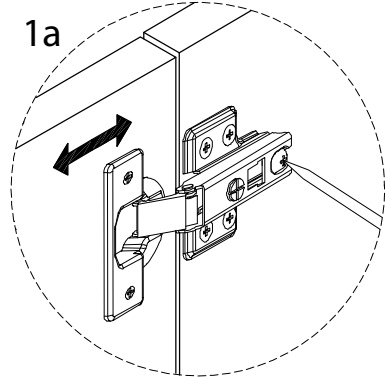
!



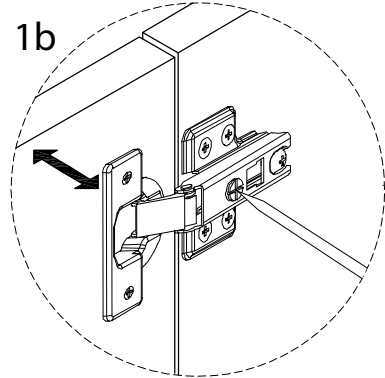
!



1a



1b



1c

