

4PCS

A

8PCS

B 8*40

8PCS

C 7*50

4PCS

D 300MM

1PCS

E 3*12

6PCS

F 3.5*14

8PCS

G 3.5*35

4PCS

H

6PCS

I 6*30

6PCS

J 6*40

8PCS

K

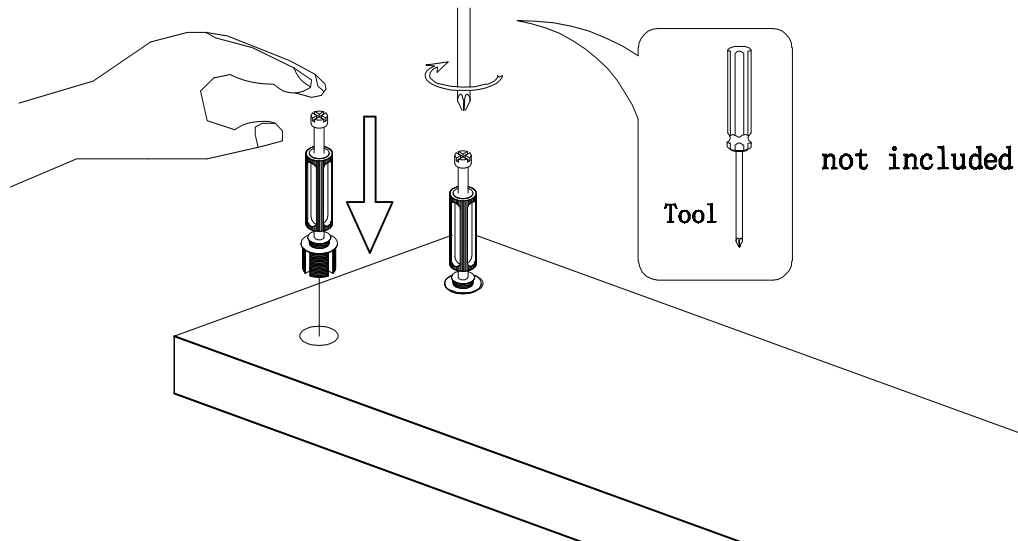
4PCS



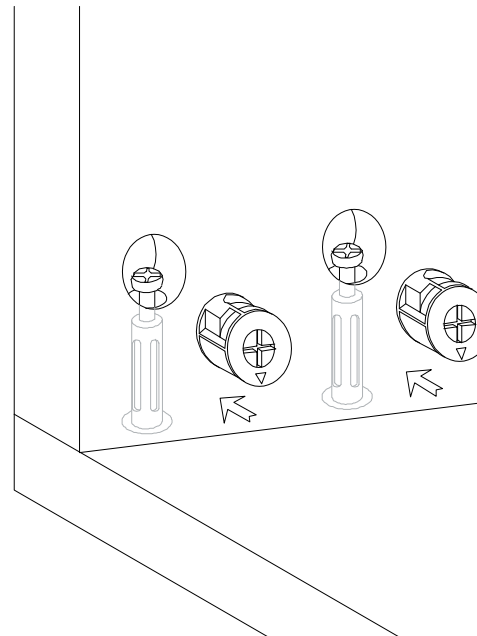
Hardware installation demonstration

NOTE: Please make sure "A" hardware tightened and can't be pulled out!

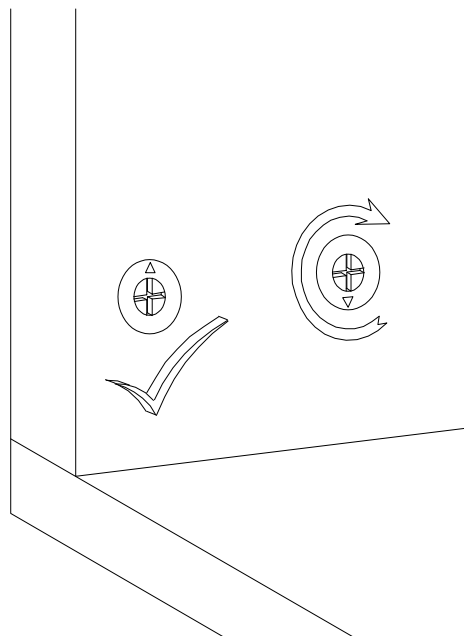
I



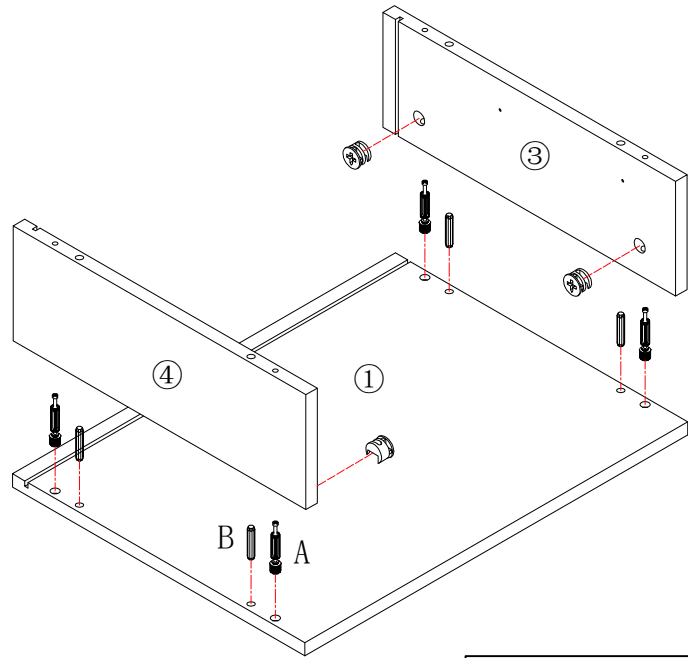
II



III

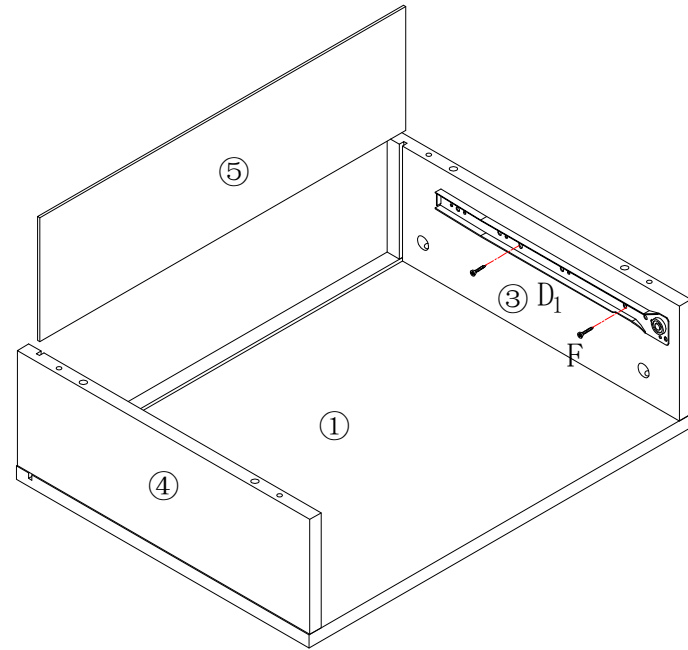


1



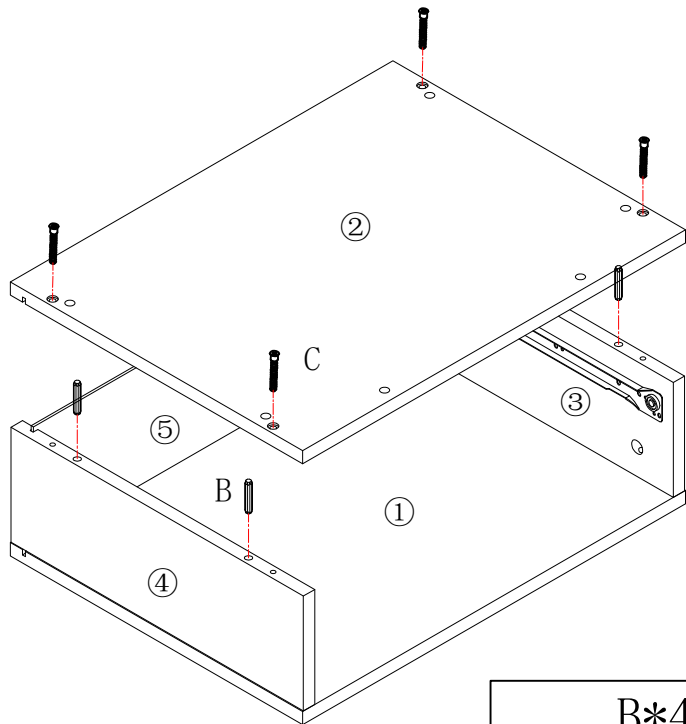
A*4 B*4

2



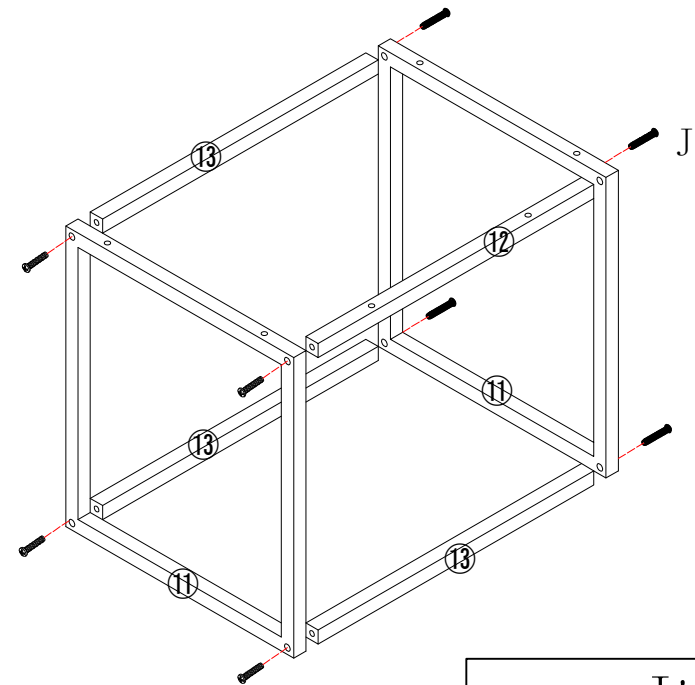
D₁*1 F*4

3



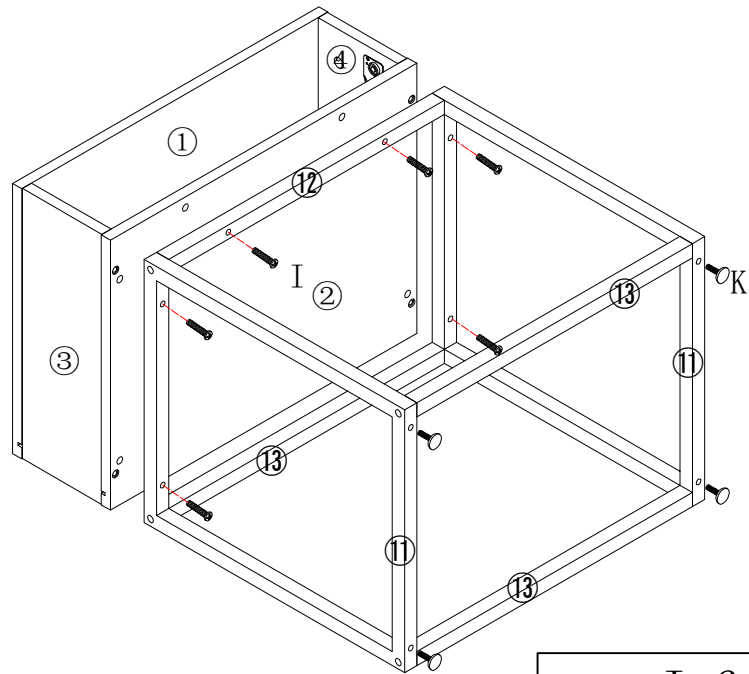
B*4 C*4

4



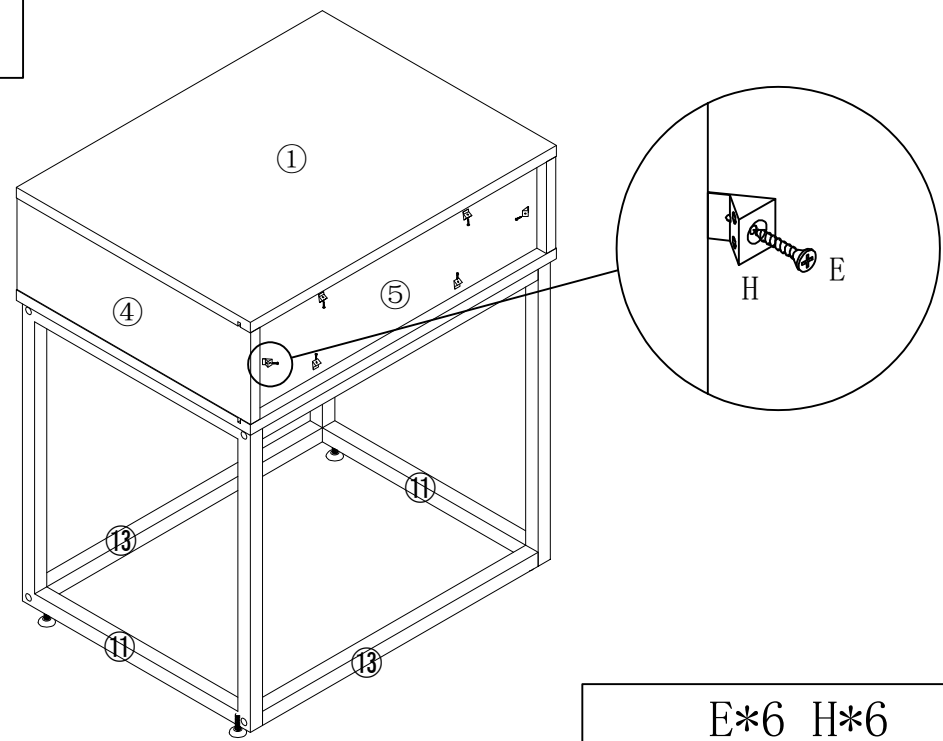
J*8

5



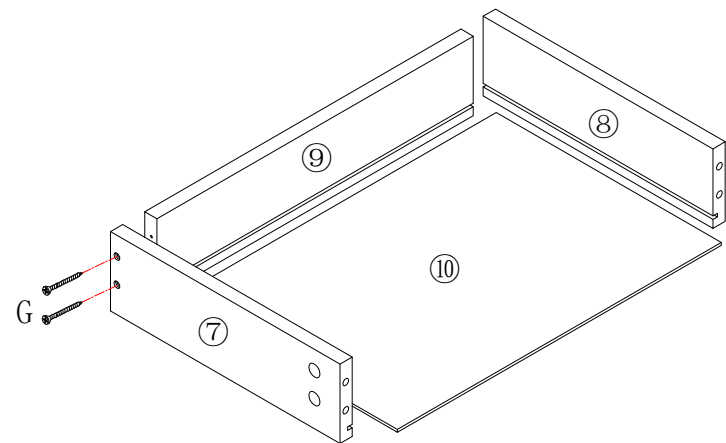
I*6 K*4

6



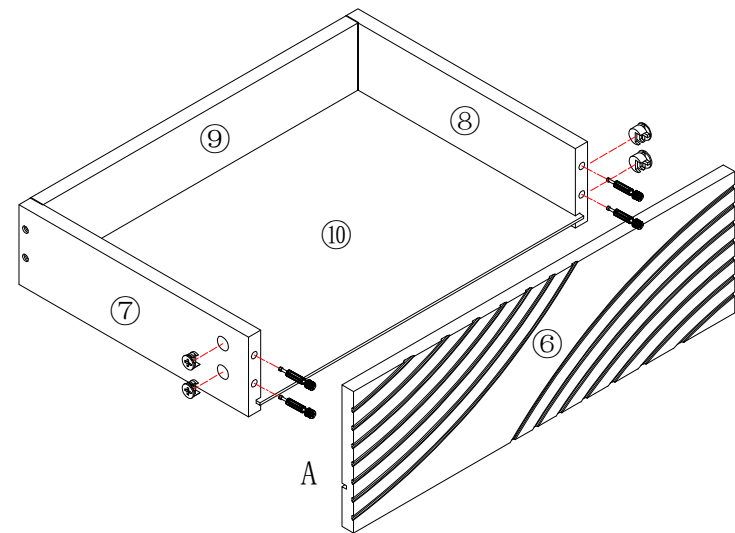
E*6 H*6

7



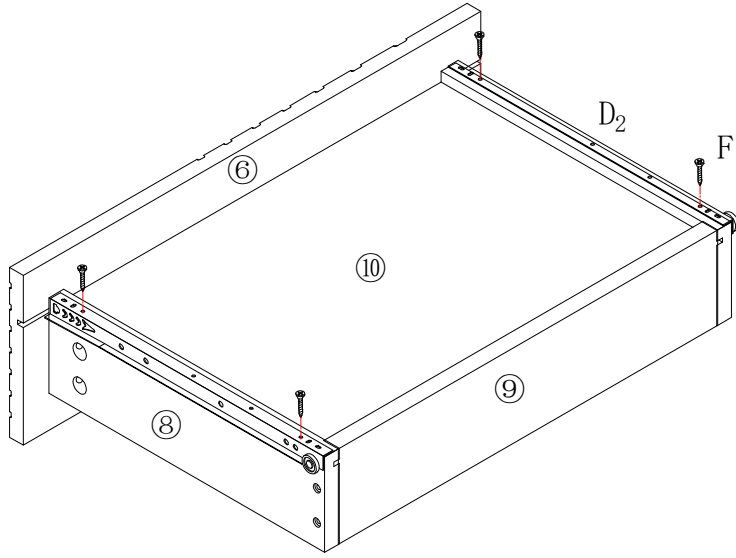
G*4

8



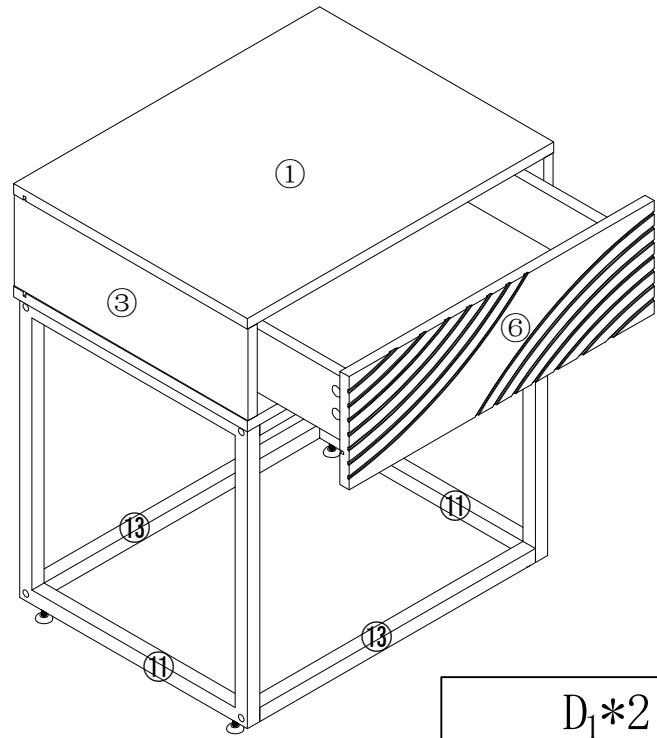
A*4

9



$D_2 * 1 \quad F * 4$

10



$D_1 * 2 \quad I * 8$

11

