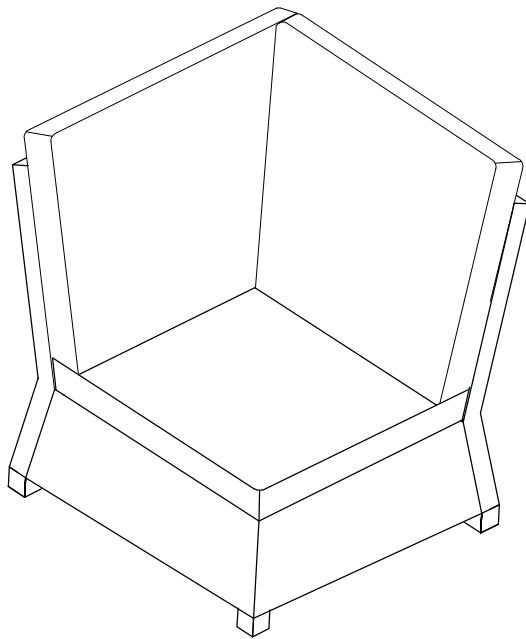


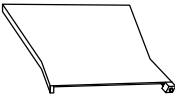
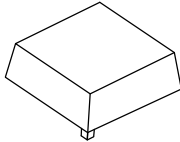
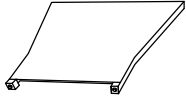






Outdoor Wicker Sectional Corner Chair



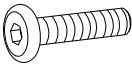
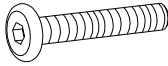
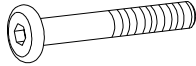
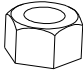
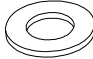
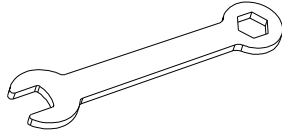

Congratulations! You have purchased a stylish piece. We strive to provide fine furniture products, built with quality materials and hand finished details. Please carefully follow the assembly instructions to ensure your furniture is assembled correctly to provide long lasting enjoyment.

Care: Use a soft, clean cloth that will not scratch the surface when cleaning. The use of solvents is not necessary. Should you choose to use solvents, test in an inconspicuous area first to avoid damaging the finish. To clean, simply use a soft, clean cloth lightly dampened with water.

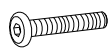
PART LIST

					
Left Arm Panel		Seat Panel		Right Arm Panel	
A	1PC	B	1PC	C	1PC
					
Cover Of Seat Cushion		Inner Of Seat Cushion		Cover Of Back Cushion	
D	1PC	E	1PC	F	1PC
					
Inner Of Back Cushion		Cover Of Back Cushion		Inner Of Back Cushion	
G	1PC	H	1PC	I	1PC

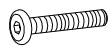
HARDWARE LIST

					
Short Bolt(M6*55mm)		Medium Bolt(M6*65mm)		Long Bolt(M6*85mm)	
J	5PCS	K	4PCS	L	1PC
					
Nut(M6mm)		Washer(M6mm)		Wrench(M6mm)	
M	4PCS	N	14PCS	O	1PC
					
Allen Key(M6mm)					
P	1PC				

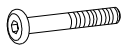
EXTRA HARDWARE LIST



J X1PC



K X1PC



L X1PC



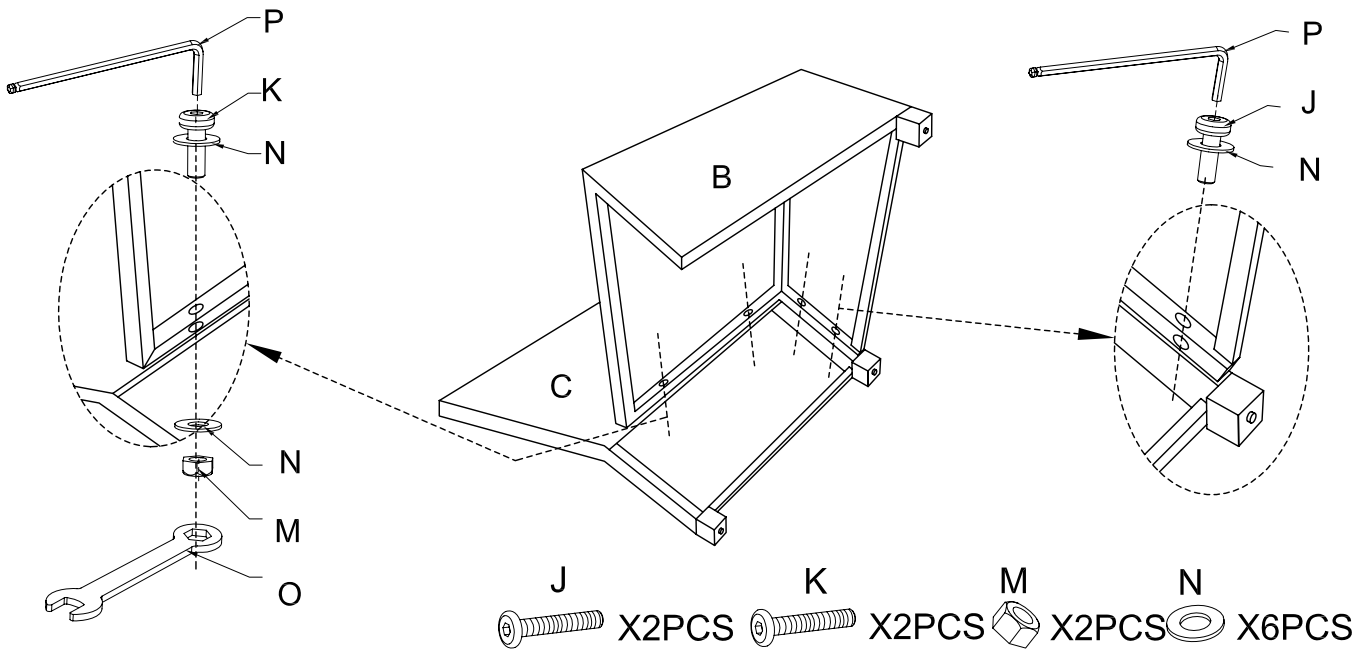
MX1PC



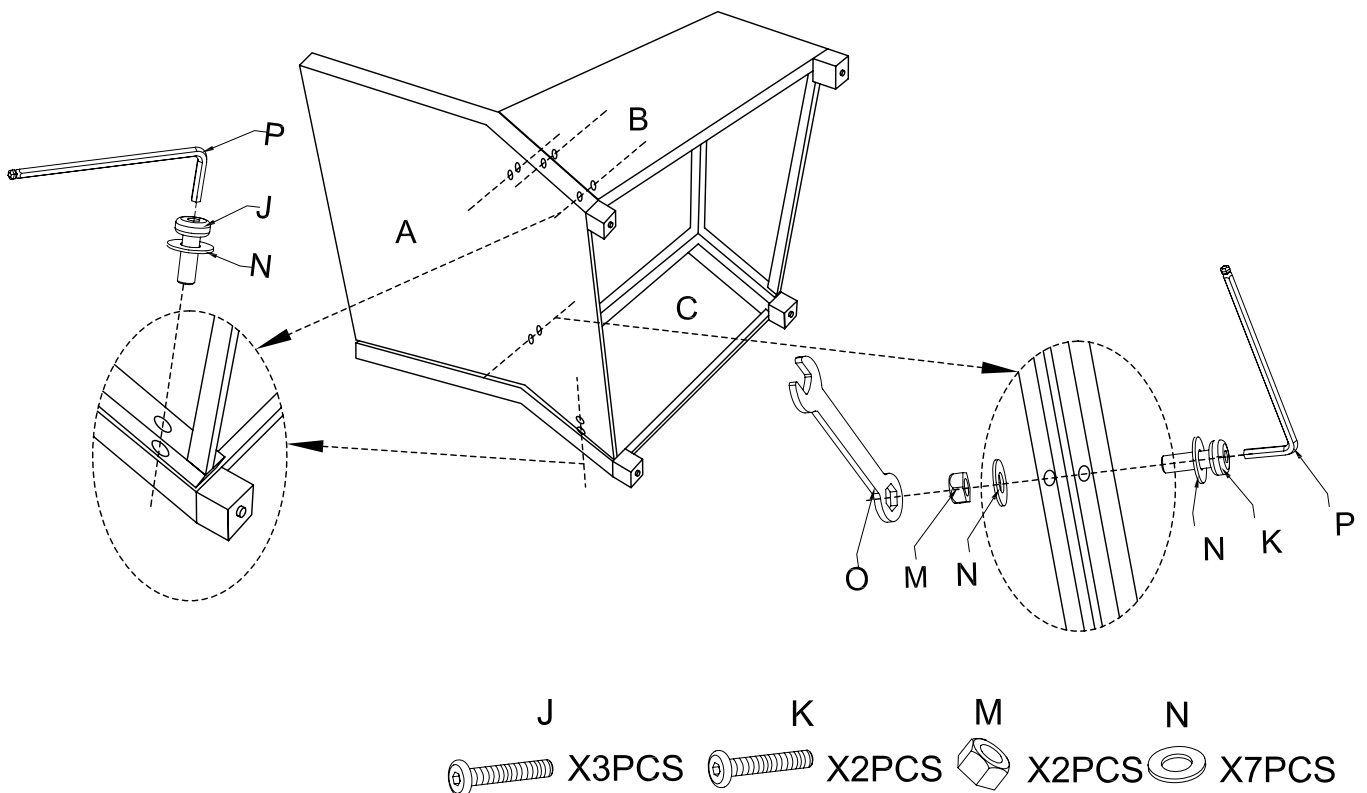
N X3PCS

Step 1. Lay Right Arm Panel (C) down on a flat surface. Attach Seat Panel(B) to Right Arm Panel(C) using the Short Bolts(J),Medium Bolts(K), Nuts (M), Washers(N),Wrench(O) & Allen Key (P).

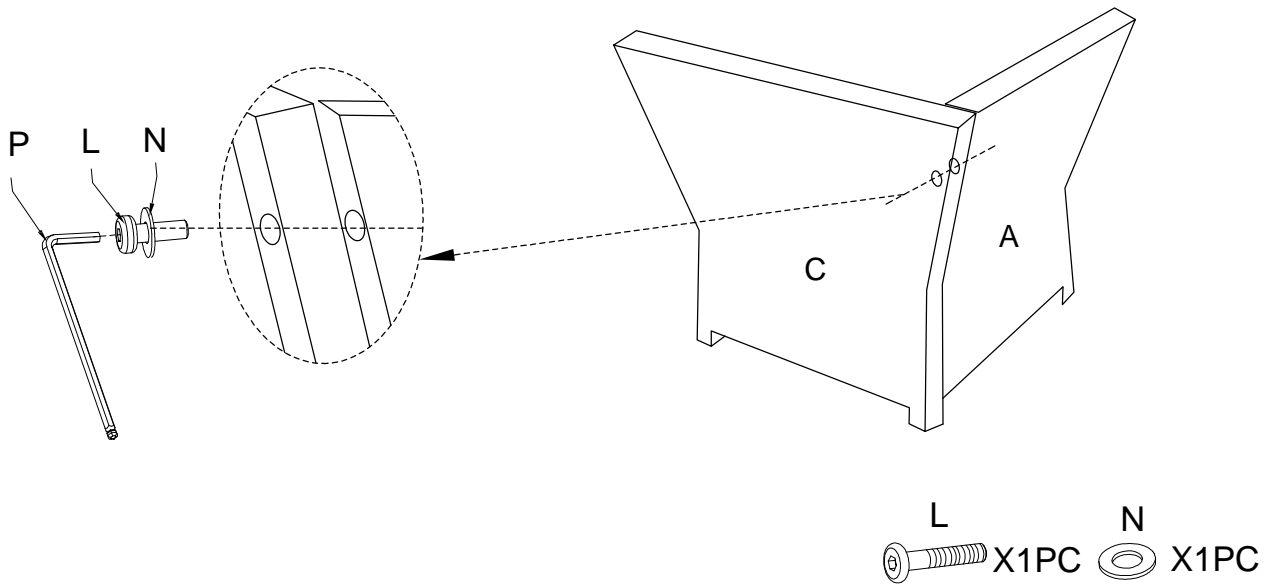
NOTE: Please do not fully tighten bolts until unit is fully assembled.



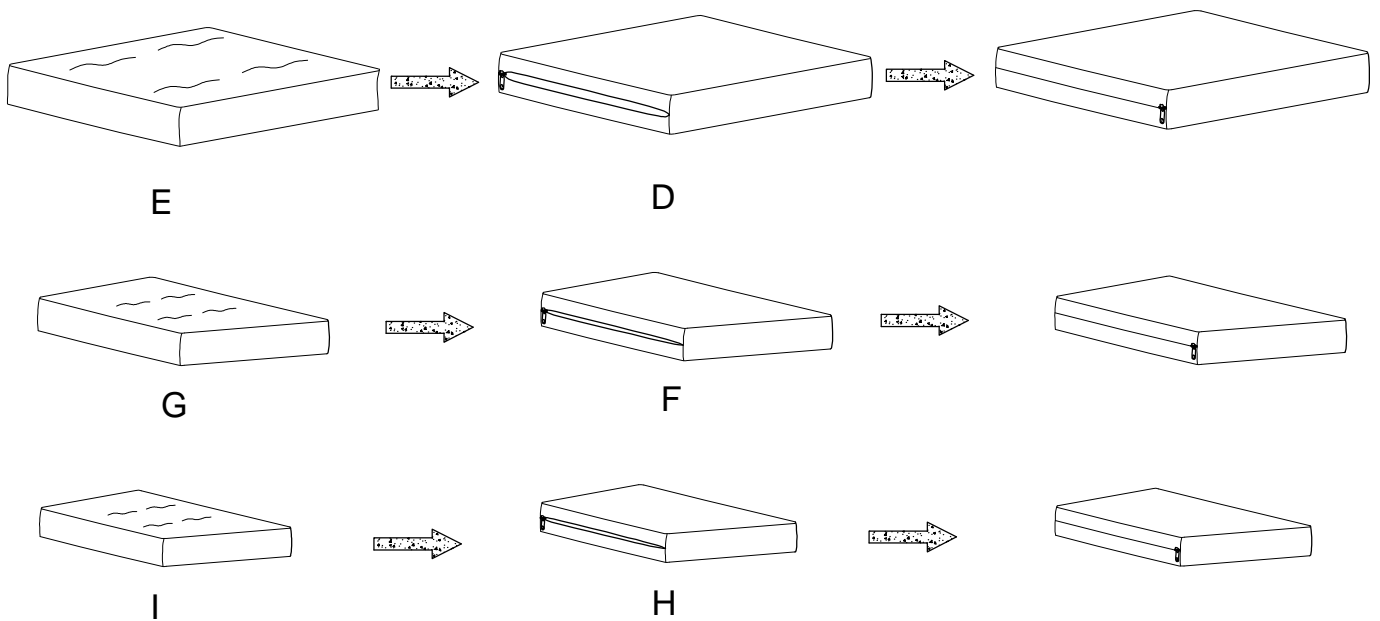
Step 2. Attach Left Arm Panel(A) to Right Arm Panel(C) and Seat Panel (B) using the Short Bolts(J),Medlim Bolts(K), Washers(N), Nuts(M), Wrench (O) & Allen Key (P).



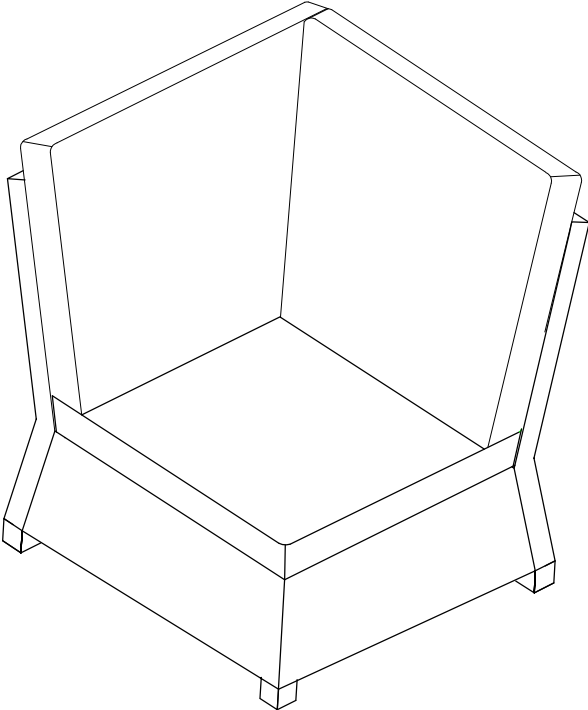
Step 3. Attach Right Arm Panel(C) to Left Arm Panel(A) using the Long Bolts(L),Washers(N) & Allen Key (P).



Step 4. Insert Inner Of Seat Cushion (E) into Cover Of Seat Cushion (D).
Insert Inner Of Back Cushion (G) into Cover Of Back Cushion (F).
Insert Inner Of Back Cushion (I) into Cover Of Back Cushion (H).



Step 5. Place Seat Cushion and Back Cushion on the chair.



Warranty