

ASSEMBLY AND INSTALLATION INSTRUCTIONS

Model: CA2665-2P

WARNING: TO AVOID RISK OF ELECTRICAL SHOCK, BE SURE TO SHUT OFF POWER WHILE INSTALLING OR SERVICING THIS FIXTURE

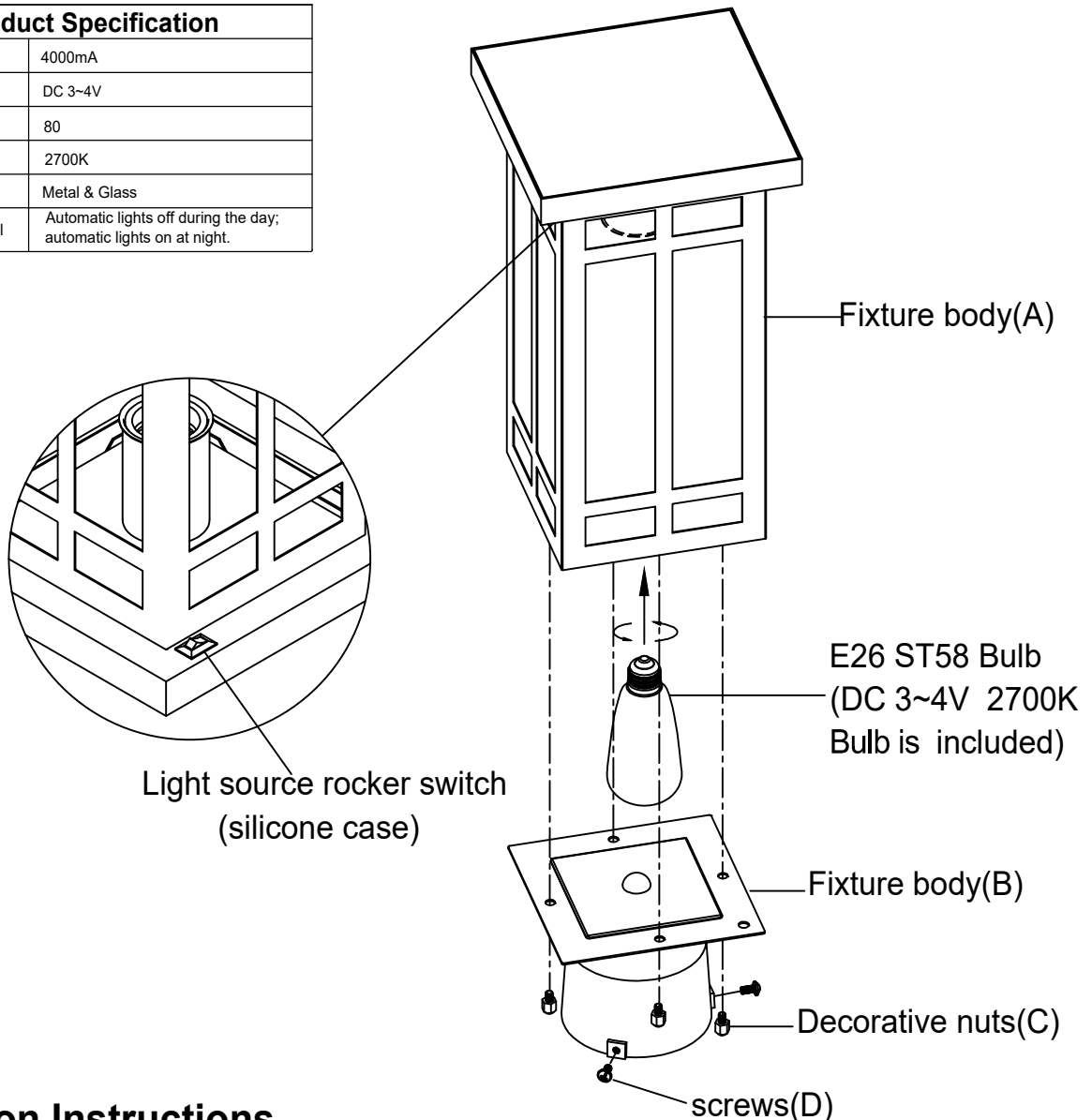
NOTES: 1. Before installing, consult local electrical codes for wiring and grounding requirements.
2. Read and save these instructions.

Kind Reminder :

This lighting fixture needs to be installed in a sunny place

Product Specification

Battery capacity	4000mA
Output voltage	DC 3~4V
CRI	80
Color Temp	2700K
Material	Metal & Glass
Solar energy control	Automatic lights off during the day; automatic lights on at night.



Installation Instructions

1. Unscrew the four decorative nuts (C) at the bottom of the fixture and separate fixture (A) from fixture (B).
2. After installing the E26 ST58 Bulb (DC 3~4V 2700K included).
3. Then install the Fixture body (A) onto the Fixture body (B), Secure with four Decorative nuts (C).
4. Press the toggle switch to test the light source Open(-) / Close (O) .
5. Please remove the protective film before using all solar panels.