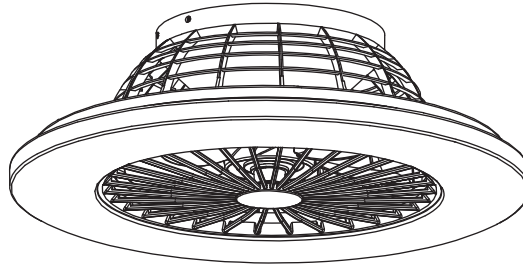
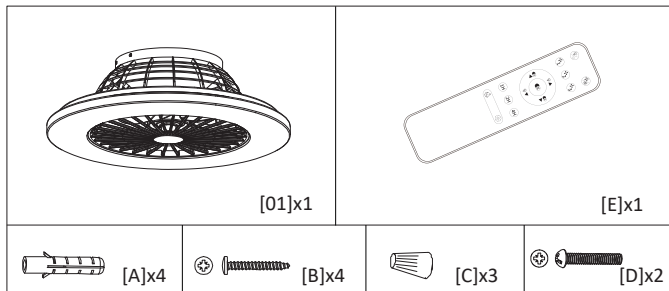


# Product Instruction

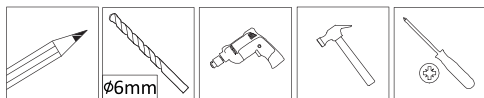


30W	40W	30W	40W
110-120V		110-120V	
Material: Metal+Plastic		Material: Metal+Plastic	
Color: Chrome	Color: Black	Color: Black	

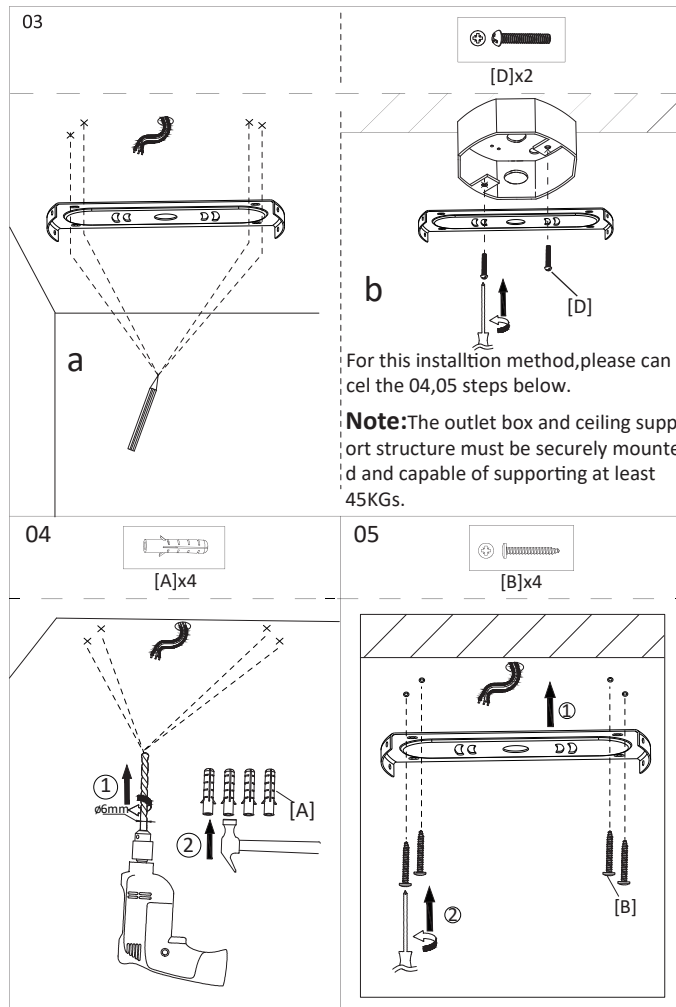
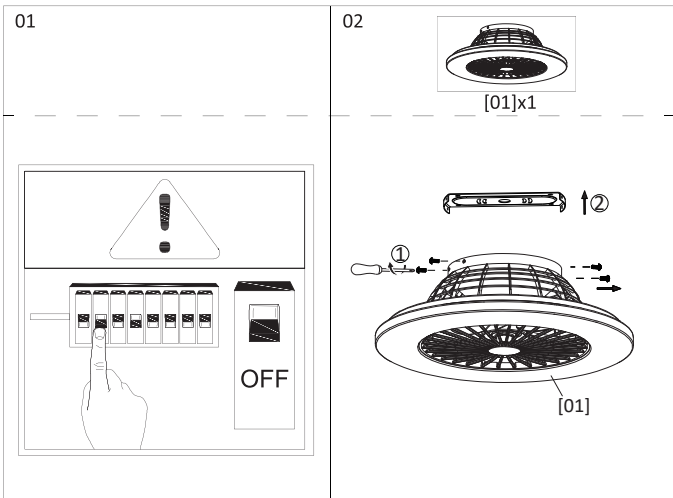
## Part list:



## You will need:



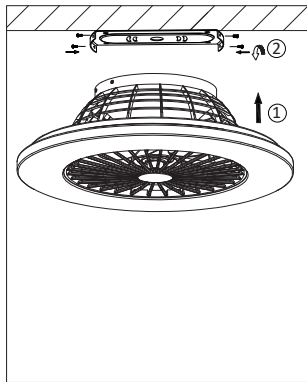
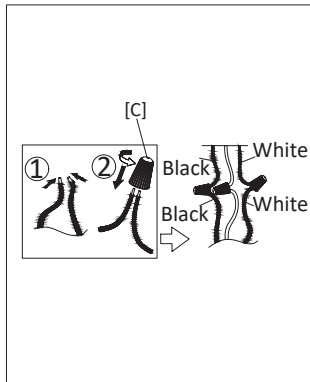
## Installation Steps:



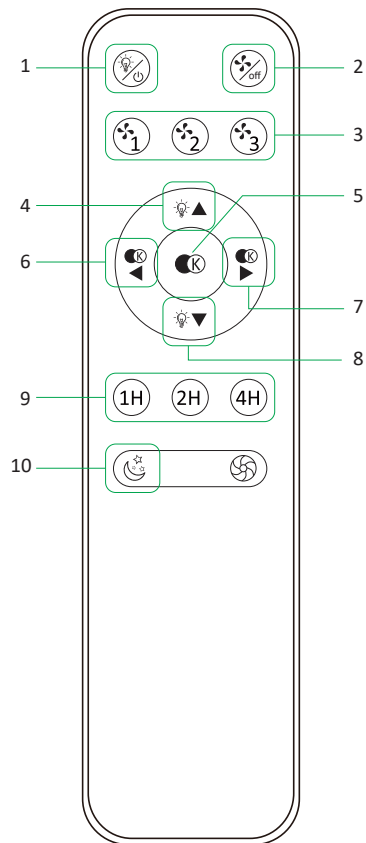
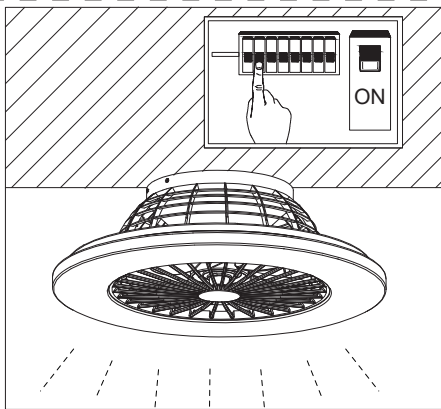
06



07









08



## EN:

The fan has the following features as long as they are shown on the schematic drawing:

-  The device has color temperature and power smooth dimmable function.
-  The device has 3 different fan speed levels.
-  The device is equipped with a touch display, which allows easy selection of the different settings.
-  The device has a timer function.
-  The device is equipped with an oscillation function that allows the fan to oscillate with simultaneous ventilation.
-  The fan may be tilted to a small extent.

### Description of how the light works with the remote control unit:

1. & 2. On/off

The light is switched on/off completely.

After being switched on again it adjusts to 100% brightness. All previous settings are reset.

3. The light is switched on/off completely.

4. & 8. Brightness regulator: The adjustment takes place in stages. By pressing for a short period, it is possible to control the individual stages. Pressing the button permanently results in the maximum or minimum brightness being reached.

- 5. Mode 1) Brightness 100% 3000K
- 2) Brightness 100% 4000K
- 3) Brightness 100% 6500K

6. & 7. The adjustment takes place in stages. By pressing for a short period, it is possible to control the individual stages. Pressing the button permanently results in the warmest or coldest colour setting being reached.

9. Setting working time, Timer is 1H, 2H, 4H

10. Night light

## Note:

### English

1. The lamps may only be installed by authorized and qualified technicians according to the valid regulations for electrical installation.
2. The manufacturer does not accept any responsibility for injuries or damage resulting from improper use of the light.
3. Attention! Before starting the installation work, make sure that the mains power line is voltage-free—turn off safety cutout or unscrew the protection fuse. The switch must be “OFF”.
4. Warning! Before drilling the mounting holes, make sure that no gas, water or electricity pipes and wires can be drilled through or damaged in your chosen mounting location.
5. Description of the supply terminals: L = Phase N = Neutral conductor ⊕ = Earthed conductor.