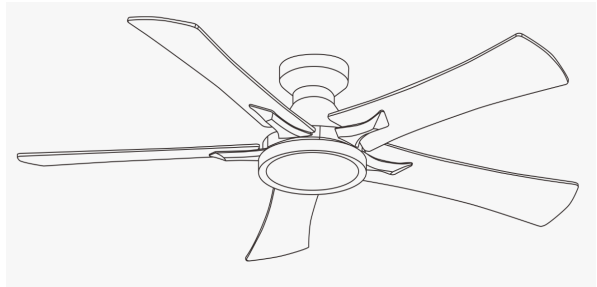
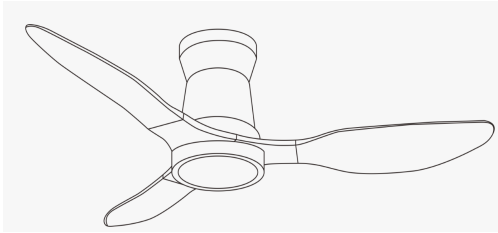


Installation Instructions



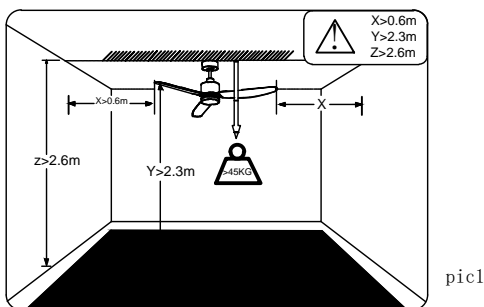
F2012

Safety Instructions

Please read all instructions carefully, even if you are familiar with this type of appliance.

This appliance is not intended for use by person (including children under the age of 8 years old) with reduced physical, sensory or mental capabilities or lack of experience and knowledge unless they have been given supervision or instruction concerning use of the appliance by a person responsible for their safety. Children should be supervised to ensure that they do not play with the appliance.

1. All wiring and installation must be done by a qualified electrical contractor. If you lack of electrical knowledge, be sure Please hold "electrician card" professional install it for you.
2. To avoid electrical shock hazard, ceiling fan installation, removal before you turn off the power first, will be installed Shall be ground, FireWire, zero line order of installation, disassembly must be disassembled to the zero line, the line of fire, earth order.
3. In order to reduce electric shock or from accidents. do not use Non matching speed control switch and led light and lamp bulb.
4. When a ceiling fan installation, you must determine the various parts of screws securely latched.
5. rotating ceiling fan, the blades should not touch any object to avoid danger.
6. Select the appropriate location to install a ceiling fan, ceiling fan blade away from the ground should Above 2.3 meters or more Prevent accidental blade collision accident. (Pic 1) , The mounted structure of the ceiling fan must be able to support a minimum weight of 45kg.



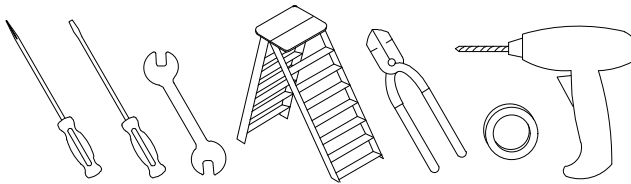
7. To change the fan rotation direction. please turn off and wait for the blades stop turning after adjustment reversing switch.

8. The power of this fan is 110-130V/60Hz or 220-240V/50Hz, Please refer to the label on the controller, Cannot be used beyond the voltage range, maximum motor power of 40W (specifications of different models of ceiling fans, which Motorpower will be different), each light source lamps maximum 20w.

9. about how to install a ceiling fan and connect the power, please read the fan assembly procedures carefully.

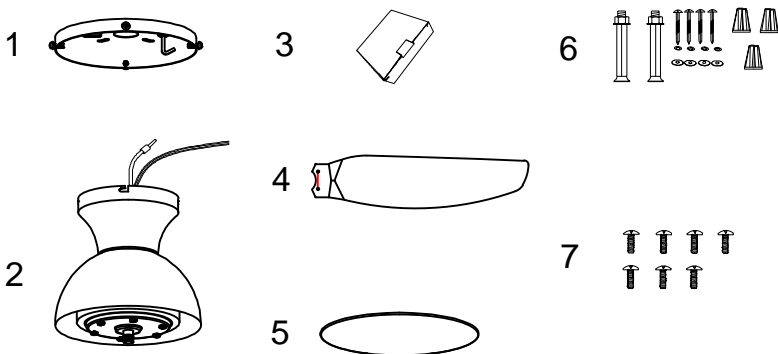
10. Do not clean the ceiling fan blades and clean water or detergent directly, use a dry cloth or slightly damp cloth to wipe In addition to dust. Before cleaning the ceiling fans, ceiling fan must be disconnected from the power switch.

1.Tools Needed



- Screwdrivers
- Wrench
- Ladder
- Wire Strippers
- Insulation Tape
- Power drill

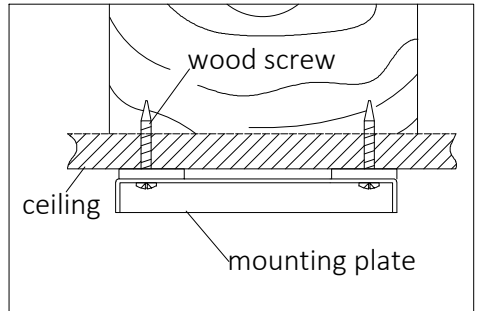
2.Parts Inventory



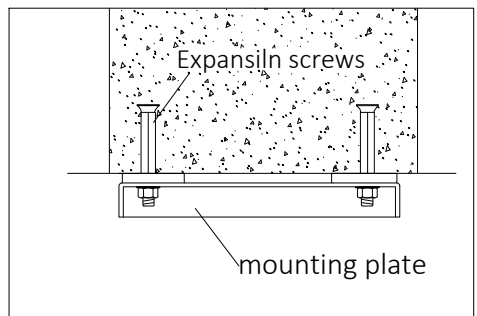
- 1.Mounting Plate
- 2.Motor body
- 3.Remote Kit
- 4.Fan Blades
- 5.Bottom cover
- 6.Screw Pack
- 7.Blade Screws

3. Secure Mounting Plate

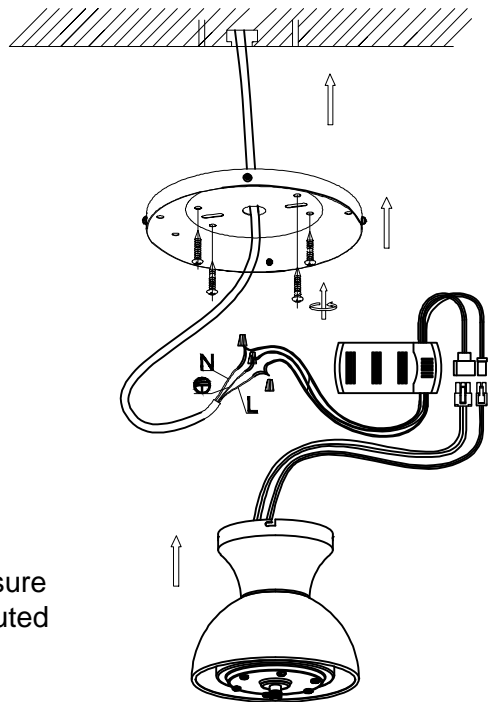
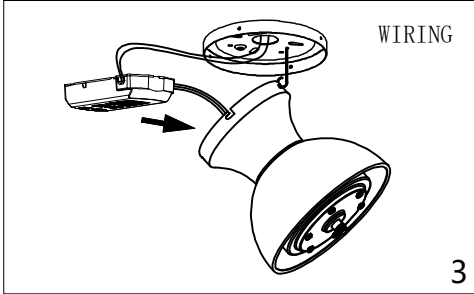
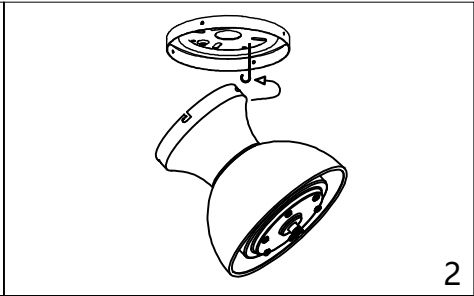
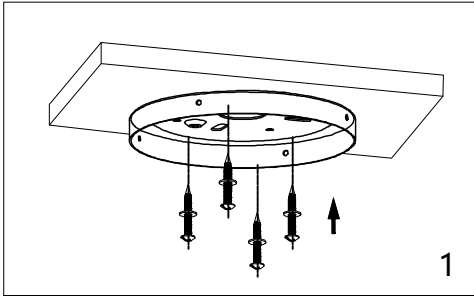
- For wooden ceiling Drilling a pilot hole in your ceiling with the power drills first, then secure the plate with wood screws



- For concrete ceiling Drill a hole in the base material with a hammer drill and a correctly sized carbide drill bit for the anchor and clean out the hole of all debris. Knock expansion screw into the hole and then tighten it with a wrench



4. Mounting & Wiring



1. Secure the mounting plate to the ceiling as step 1

2. Secure the mounting plate and canopy of motor with 4 screws.

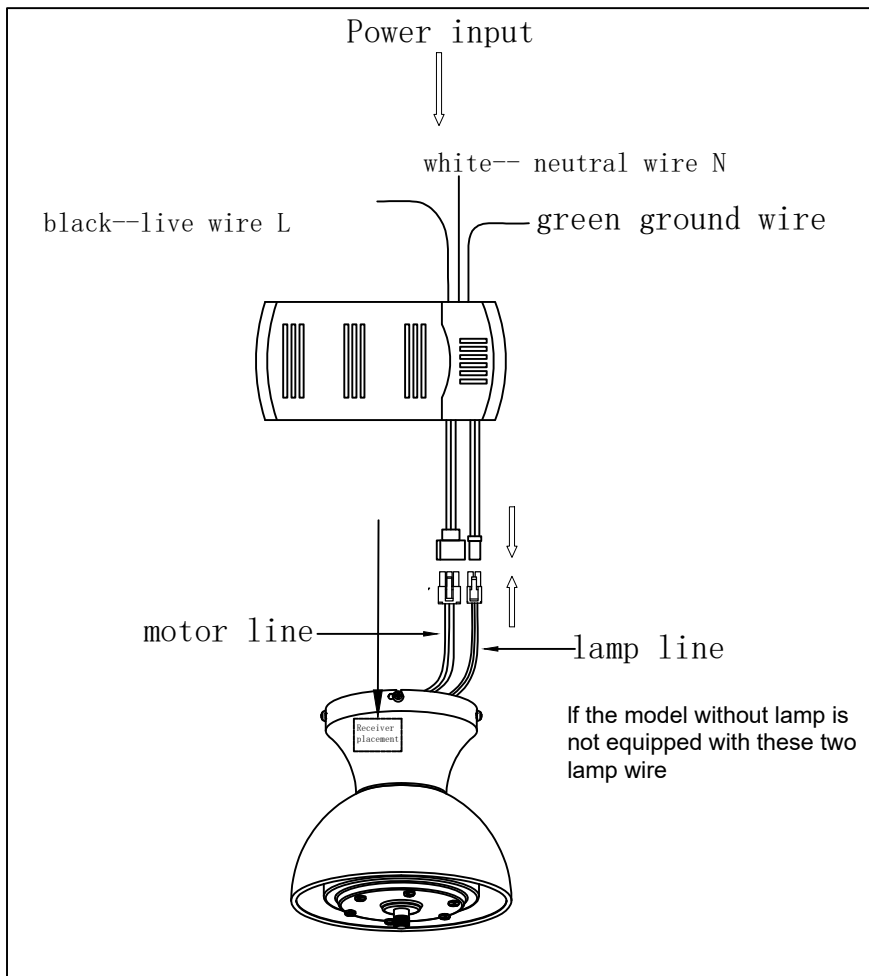
3. Wiring the motor and the receiver as the picture (next page).

4. Connect the receiver to the power supply with the wire harness, making sure that the wiring and safety cable are routed in the same direction.

5. Place the receiver on canopy after wiring, all wires should be properly placed and tied to avoid touching the motor

6. The rainbow line cannot be connected in reverse with the three color main light source.

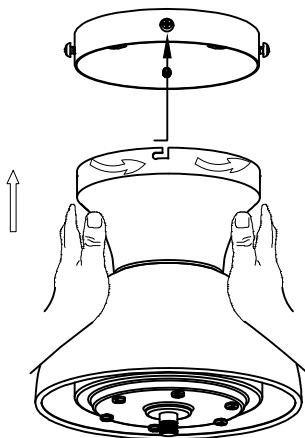
5.wiring diagram



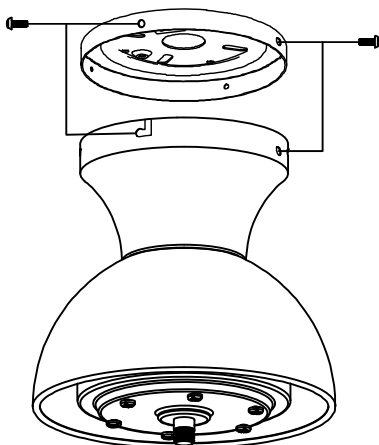
Please ensure that all interfaces are properly connected, and if there are any abnormalities, please reconnect them

6.Hanging main body

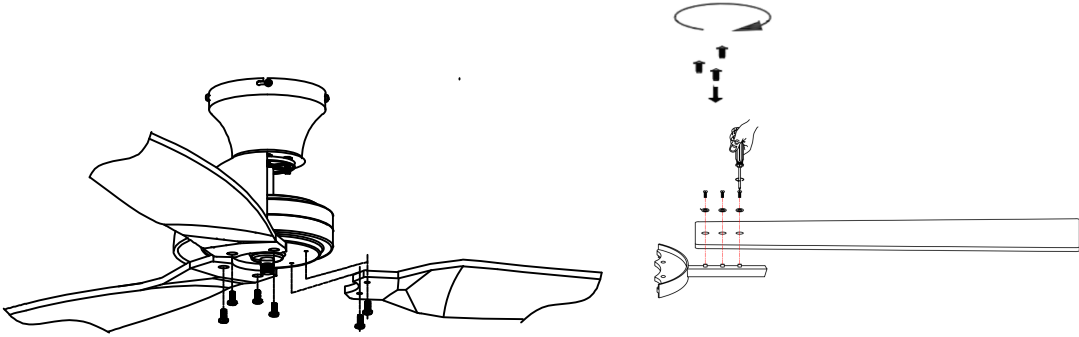
Once wire connections are completed, follow the steps below to secure the fan:



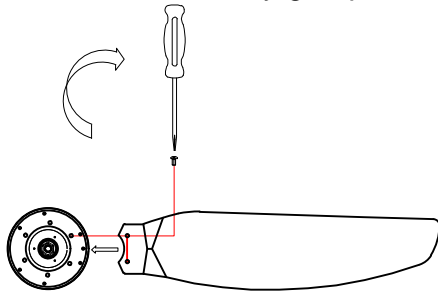
- 1.Raise the fan canopy up against the mounting plate.
- 2.Align the opening holes on the canopy with the two screws on the suspension plate,Lift upwards and then to the right until it clicks into place
- 3.Lock the 4 screws on the canopy



7. Blade Installation



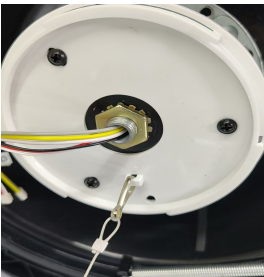
Insert a blade screw from the package through the blade hole and position it under the motor so that the screw is aligned with the "center" hole position of any group of two screw holes.



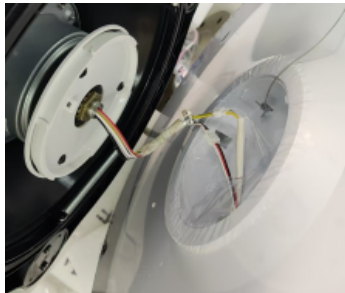
Using the screw driver to secure the blade to the motor, but do not over tighten. Repeat for the rest blades. Once all blades screws are in place, gently tighten all screws with the screw driver.

>>installation procedure

8. Assemble the bottom cover



Secure the steel wire rope



After connecting the wires, tighten the lampshade to the main unit to ensure it is securely fastened

9.Remote controller user manual

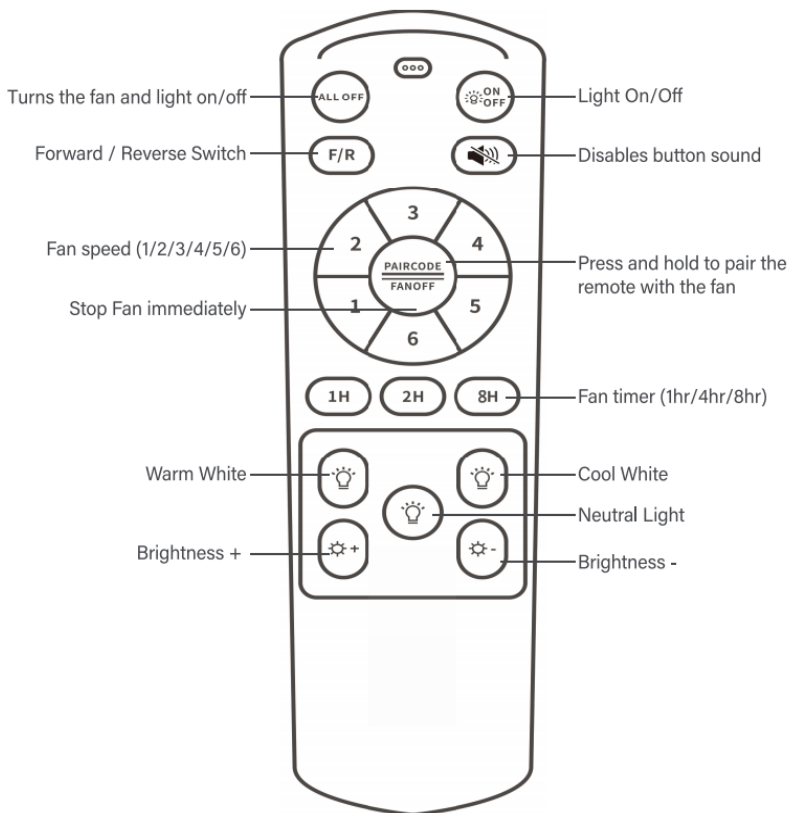
1.OPERATING TRANSMITTER(remote controller):

A. Install LRO3/AAA1.5V*2 volt battery(not included).

(To prevent damage to transmitter, remove the battery if not used for a long time).

B. Store the transmitter away from excessive heat or humidity.

C. Operating the buttons on the panel of the transmitter.



2.Learning code matching mode is used between remote controller and receiver.

Turn on the supply power within 5 seconds and press the remote controller "FAN ON/OFF" button for 3 seconds, it can load normally after hearing a long sound "bee", which means learning successfully and it can works normally.(PS: Learning mode is not accepted after turn "ON" the supply power for 5 seconds)