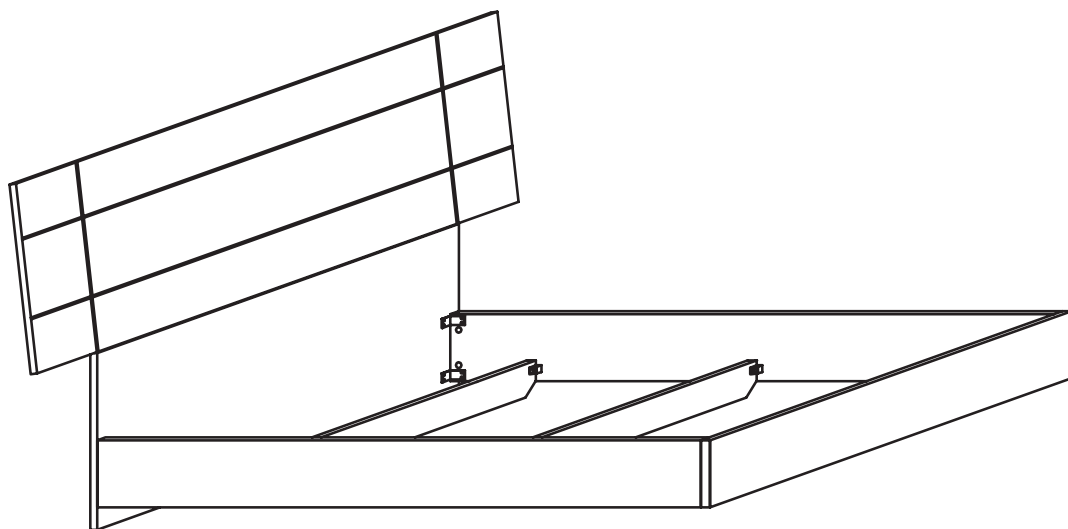


ICON BED

ASSEMBLY INSTRUCTIONS



IMPORTANT
ASSEMBLING THIS
UNIT NEEDS
MINIMUM 2 PEOPLE

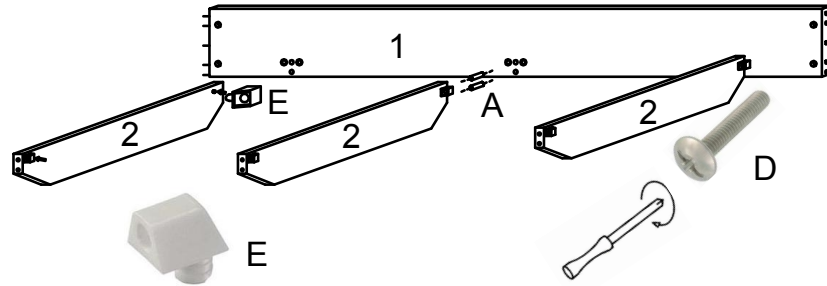


NO
DON'T USE THE DRILL



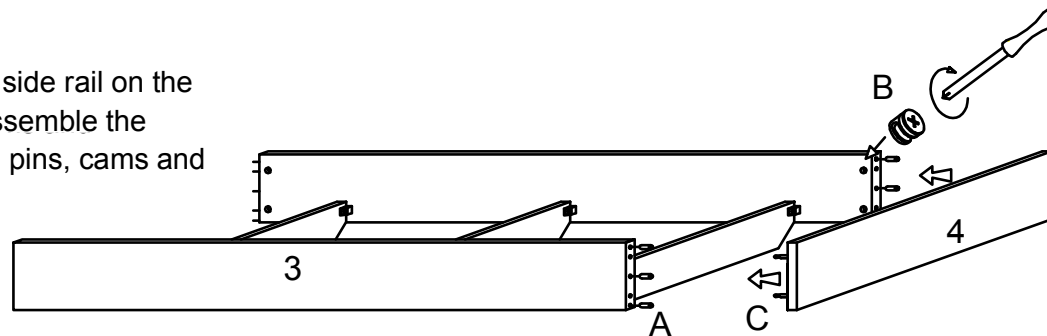
LEGEND

1	Side rails
2	Ring / Slat support
3	Side rails
4	Footboard
5	Under headboard
6	Headboard









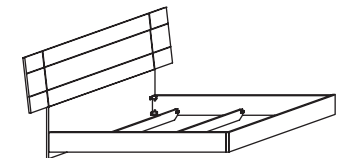
1
Fit the slat supports to the side rail, using the screws 4MA

2
Assemble the other side rail on the slat supports and assemble the footboard, using the pins, cams and wooden dowels



PARTS CHECKLIST

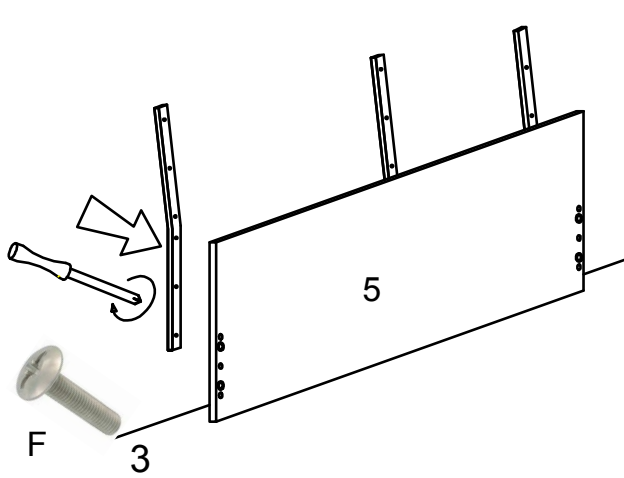
A		Wooden dowels (24 pcs)
B		Cams (8 pcs)
C		Pins (8 pcs)
D		Screws TBL 4MA (6 pcs)
E		Cams for TBL 4MA (6 pcs)
F		Screws TBL 6MA (18 pcs)



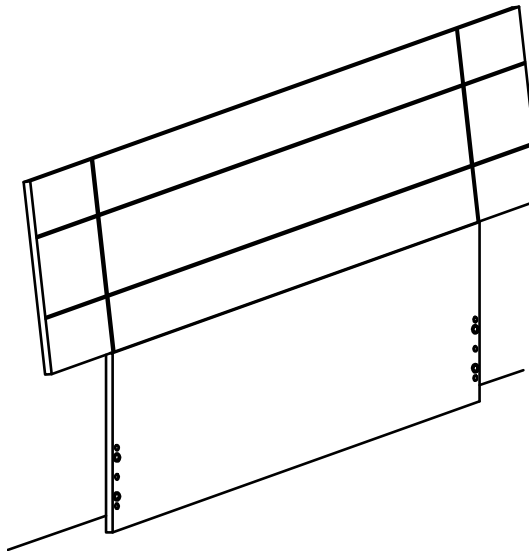
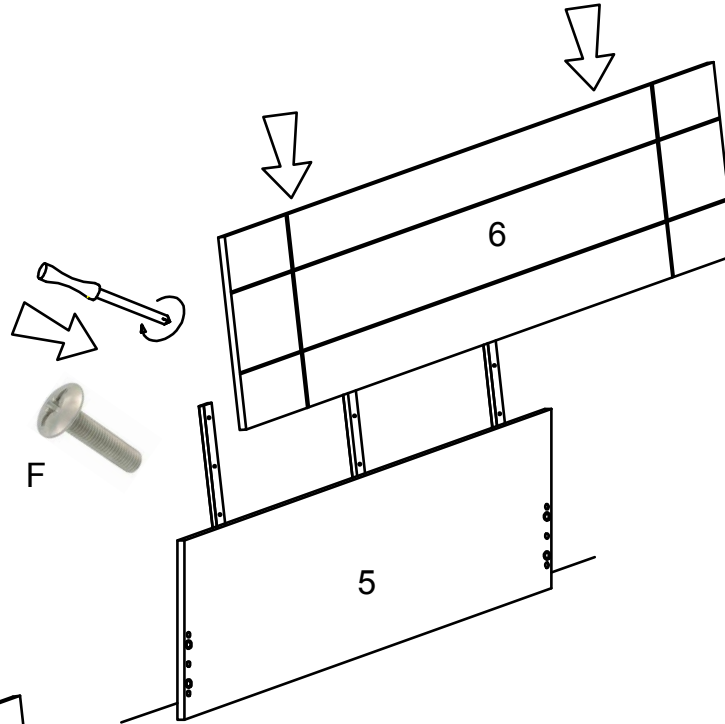
IMPORTANT
ASSEMBLING THIS
UNIT NEEDS
MINIMUM 2 PEOPLE



NO
DON'T USE THE DRILL









Fit the iron bars first on the under headboard and then on the hearboard, using the screws 6MA

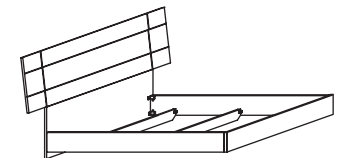


LEGEND

1	Side rails
2	Ring / Slat support
3	Side rails
4	Footboard
5	Under headboard
6	Headboard

PARTS CHECKLIST

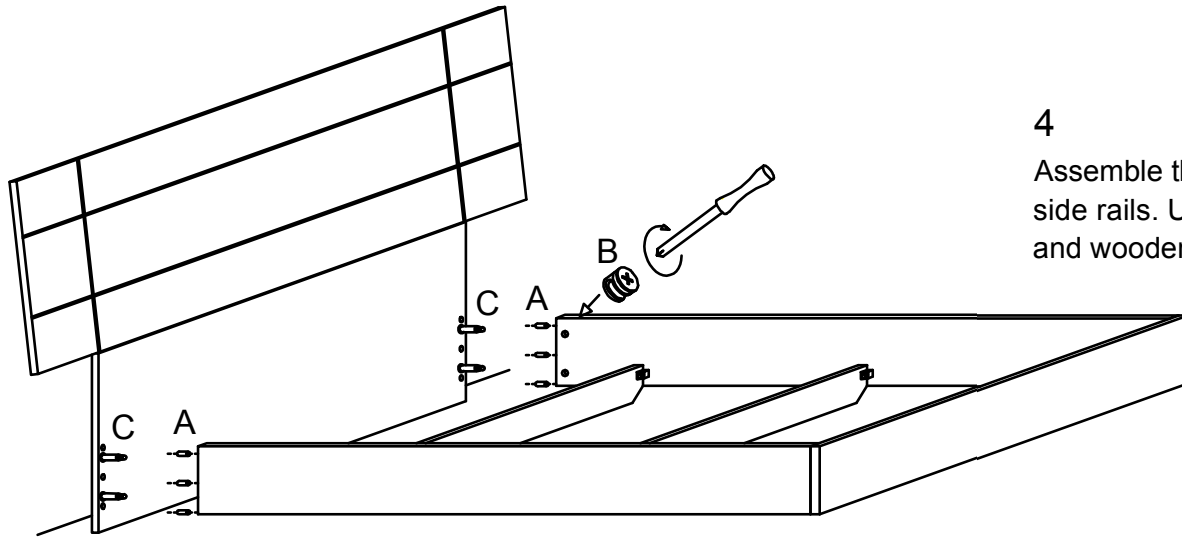
A		Wooden dowels (24 pcs)
B		Cams (8 pcs)
C		Pins (8 pcs)
		Screws TBL 4MA (6 pcs)
E		Cams for TBL 4MA (6 pcs)
F		Screws TBL 6MA (18 pcs)



IMPORTANT
ASSEMBLING THIS
UNIT NEEDS
MINIMUM 2 PEOPLE

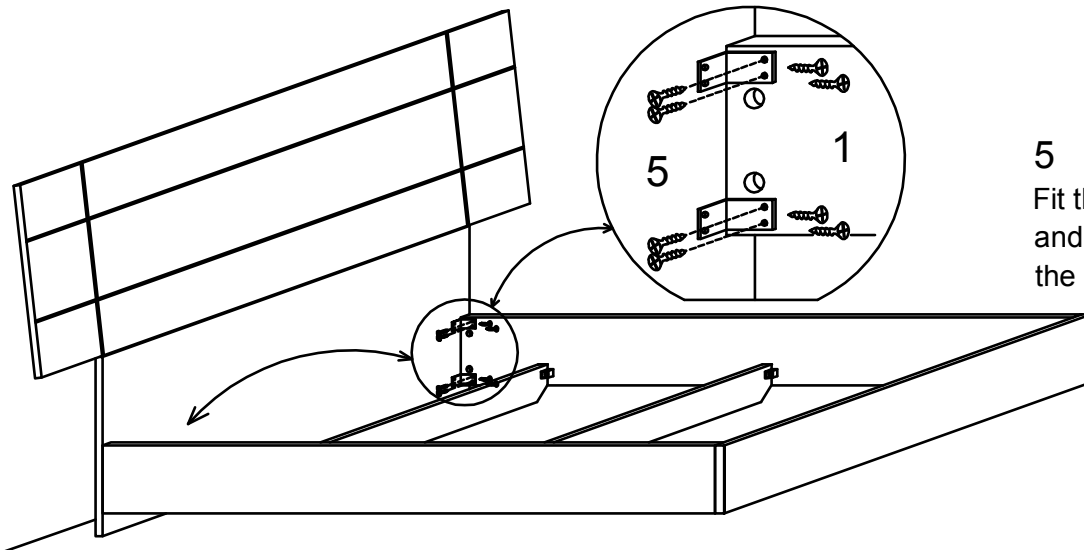


NO
DON'T USE THE DRILL



4

Assemble the headboard to the side rails. Using the pins, cams and wooden dowels









5

Fit the iron corner on the side rails and to the under headboard, using the screws TSP 4x20

LEGEND

1	Side rails
2	Ring / Slat support
3	Side rails
4	Footboard
5	Under headboard
6	Headboard

PARTS CHECKLIST

A		Wooden dowels (24 pcs)
B		Cams (8 pcs)
C		Pins (8 pcs)
D		Screws TBL 4MA (6 pcs)
E		Cams for TBL 4MA (6 pcs)
F		Screws TBL 6MA (18 pcs)

