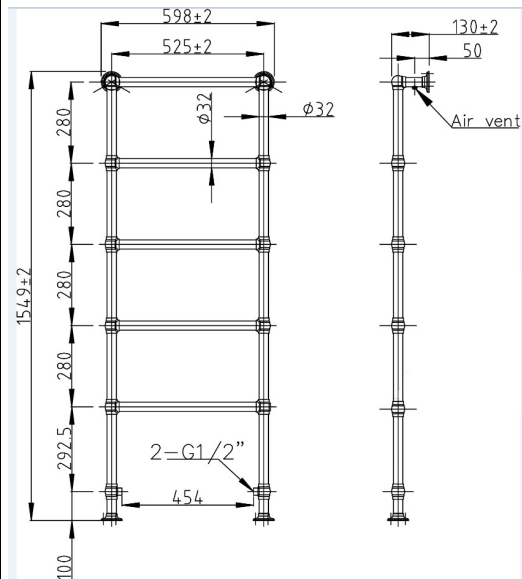


CUSTOMER DATA SHEET - HEATING

DESCRIPTION: F/S Towel Rail 1550X600 X130



PRODUCT DIMENSIONS

Height (mm)	Width (mm)	Depth (mm)	Length (mm)	Nett Wgt Kg
1549	598	130		11.2

PACKAGING DIMENSIONS

Height (mm)	Width (mm)	Length (mm)	Gross Wgt Kg
150	620	1570	11.2

PACKAGING DATA

Box Colour	White Cardboard Shrinkwrapped		
Box Qty	1	Label Colour	White Label
Label Size	100 x 50	Label Qty	2

OUTER BOX DIMENSIONS (If Applicable)

Height (mm)	Width (mm)	Length (mm)	Gross Wgt Kg

PRODUCT DETAILS

Contry of Origin	China						
Fitting Instruction	Yes						
RAL No	N/A						
Heat Element Wattage	Not Applicable						
BTU Outputs	30°C	434	50°C	809	60°C	1013	
Pipe Centres	435mm						
Volume	142						
Wall to Ctr of Tappings	114						
Duel Fuel	N/A						

Certification	CE	Yes	RoHS	N/A	WEEE	N/A	
Colour/Finish	Chrome						
Product Material	Steel						
Heat Element Wattage Compatible	N/A						
Thermal Outputs (Watts)	30°C	127	50°C	237	60°C	297	
Max Projection	135mm						
Tube Diameter	32mm						
Floor to Ctr of Tappings	100						