

Owner Manual



ARMLESS





ARMLESS

WARRANTY

We strive to offer high quality product and we also try our best to satisfy each customer that order from us, no matter on products or services as needed. Each customer receives a record of their order, such as the order number or item receipt. For any items that are out of warranty period, you may still be able to purchase the replacement parts from our company if they are available.

MAINTENANCE AND WARNING

Please read the manual thoroughly
before you start installing.

Please keep the product away from
sharp object.

Packaging and small parts may have
chocking hazard, please keep them away
from children and pets.

Please clean the product according to each
clean code, check the product description
for more information.

Please keep the product away from
fire.

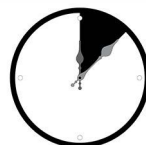
If you have any other questions, please
contact us, we will be glad to help you out.

If the product is placed under direct
sunlight, the pattern or color might fade
away overtime.

Check the product periodically to make
sure everything is secured and tightened.

Always use proper tools for installation.

Do not jump on the product.



Around 15 min

PRODUCT DESCRIPTION

Premium Chenille Upholstery:
Soft, durable chenille fabric provides a luxurious touch and unique visual texture that elevates any living space.

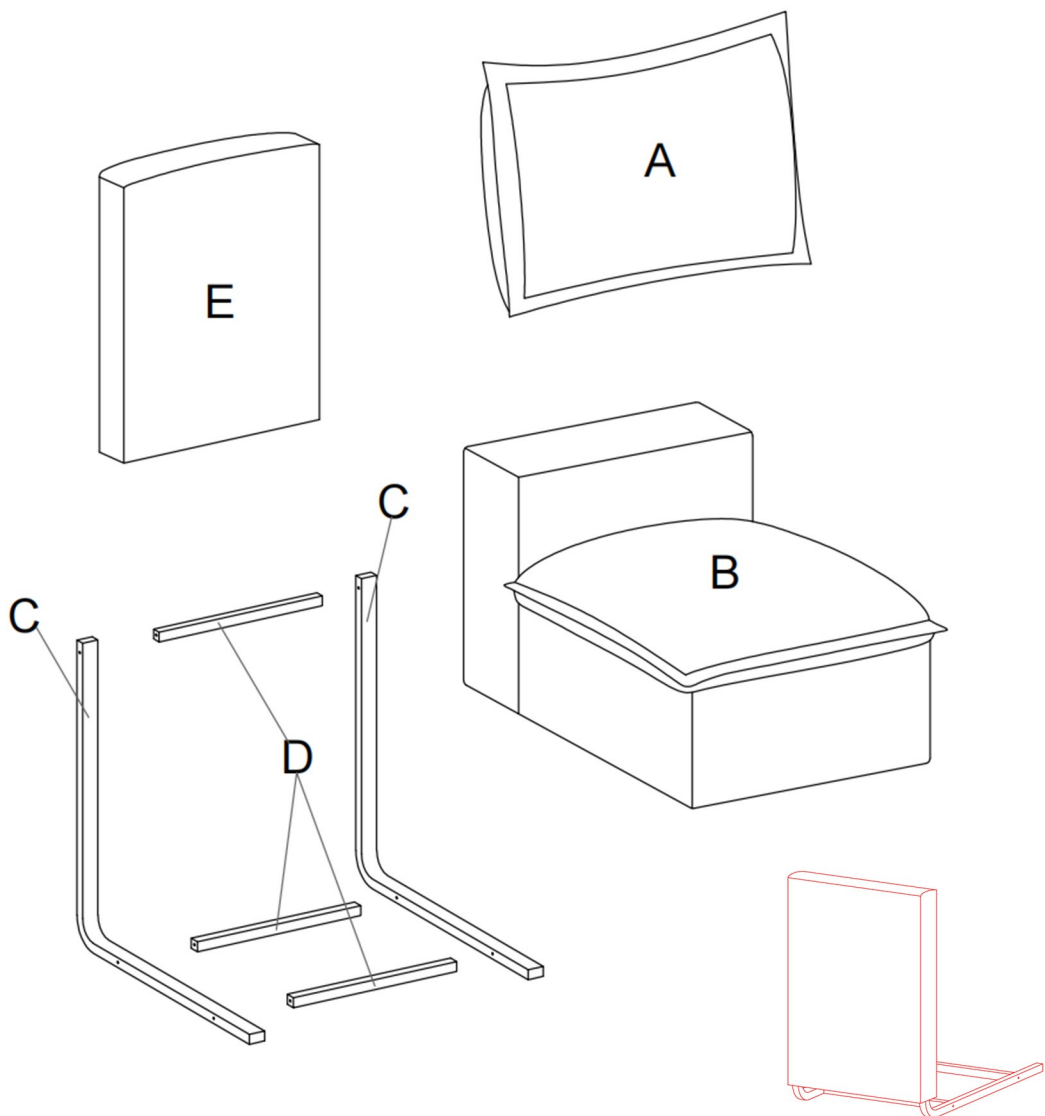
Fully Compressed Foam Structure: Ensures consistent softness and exceptional rebound, preventing sagging even after extended use.

Stable Base with Modular Connectivity: Non-slip pads maintain stability while Velcro edging allows seamless attachment to other modular units for flexible sectional

Foam Sponge Cushion with Spring Package: High-quality foam sponge filled cushions paired with an integrated spring system deliver resilient comfort and long-term support.

Wide Pillow-Top Back Cushion: Generously filled and pillow-top designed for enhanced ergonomic support and superior relaxation.

EXPLODED VIEW

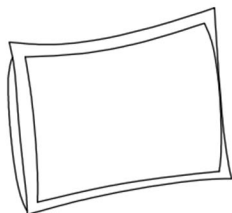


For extra back support and lasting comfort: a complimentary metal support frame is included for your optional use.

(Indicated in red picture)

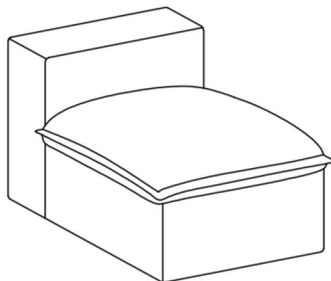
PARTS

A*1



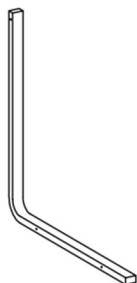
Back cushion

B*1



Seat cushion

C*2



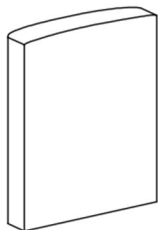
Metal frame

D*3



Metal tube

E*1



Fabric cover

I*1



The connecting stripes

HARDWARE

TOOL LIST

NOTE: Designated with (★) We provide additional spare parts in the hardware package

①*6



★ Bolt

②*1



Allen key

③*4

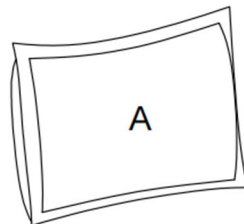
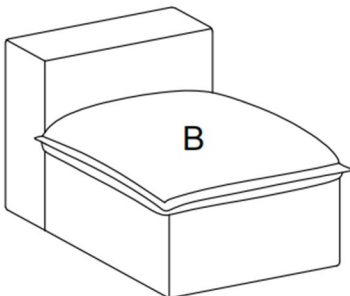
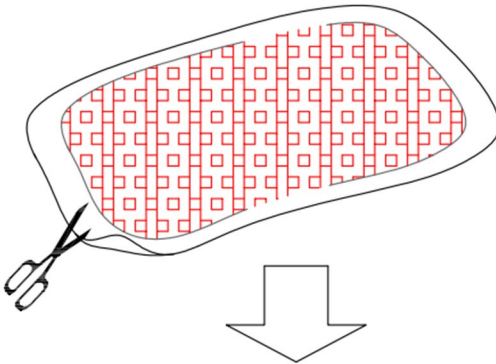
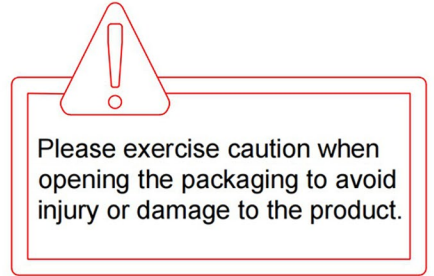
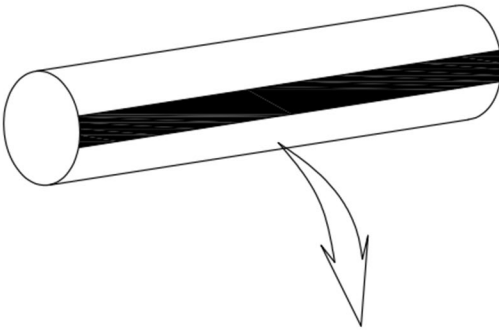


★ Foot pads

Please make sure all hardware & packing material fitting the list. Especially some small accessories may be missing during transportation. Please contact us if you have any question.

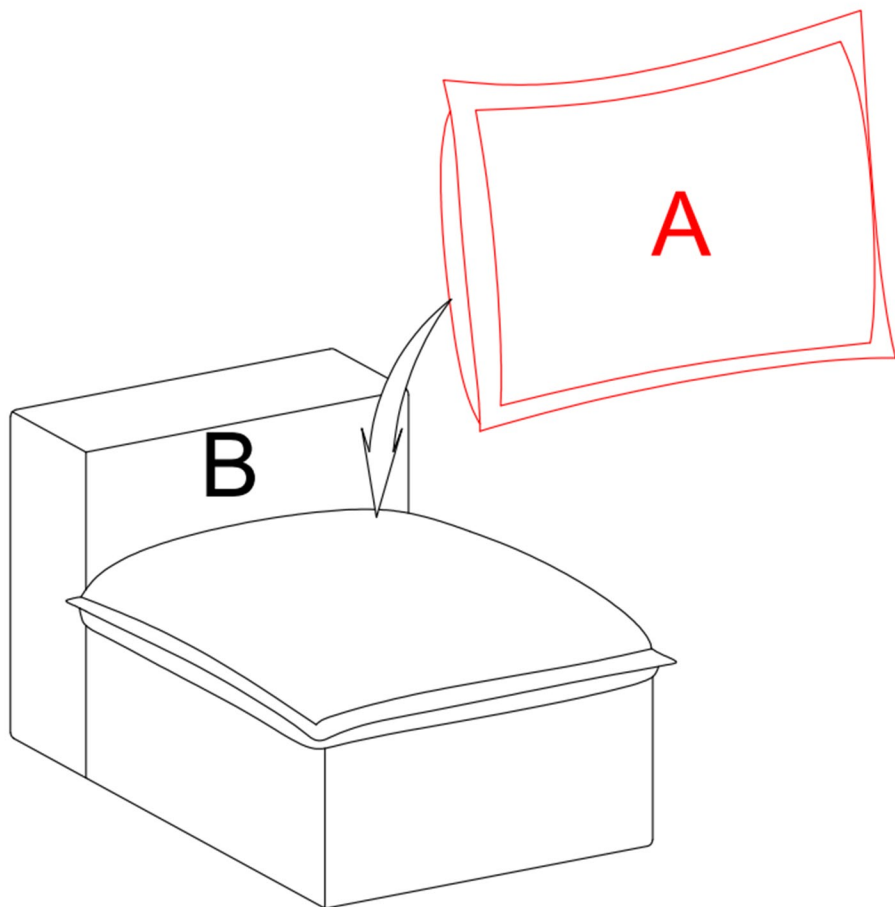
step 1

Take out the roll of compressed product from the box.
Cut open the compression bag along the paper strip on the roll bag. Remove the sofa and let them rest to recover their shape. Full recovery may take up to **72** hours, but you can gently slap the sofa to speed up the process.



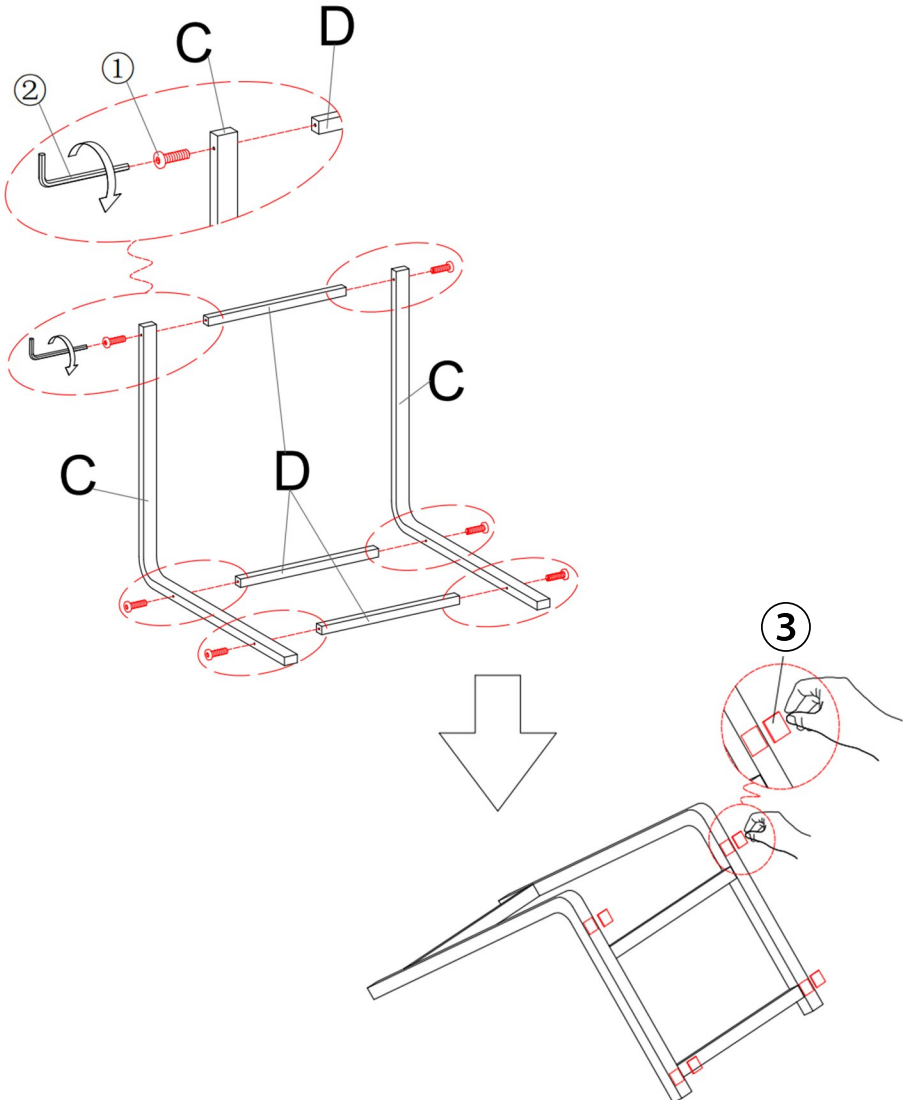
step 2

Place the back cushion (A) on it.



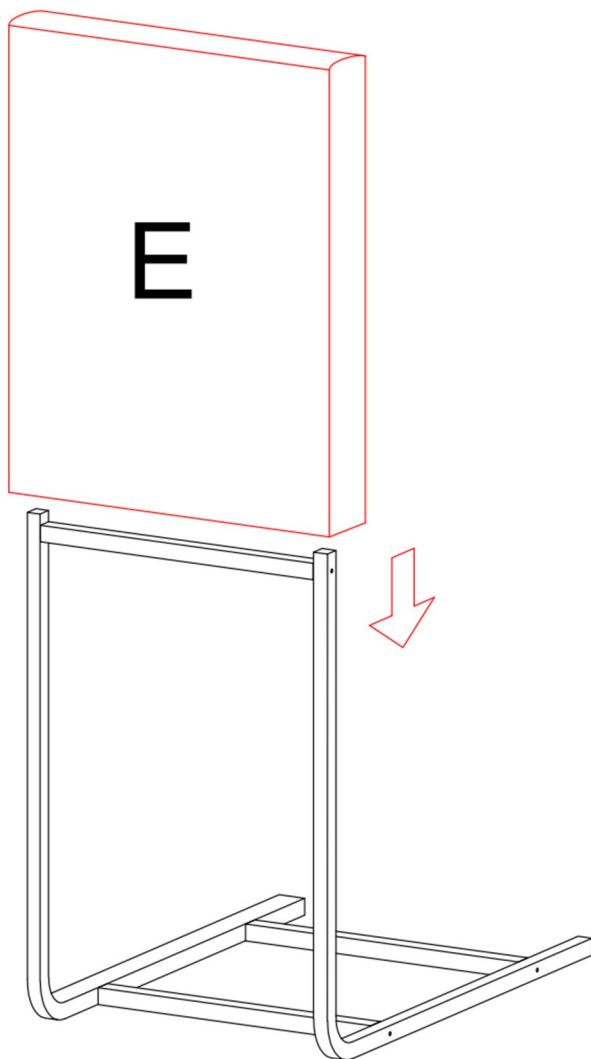
step 3

Connect two metal frames (C) with the metal tubes (D) as shown, use the allen wrench (2) provided to tighten all the bolts (1) on both sides, please make sure the bolts are fully tightened before next step.



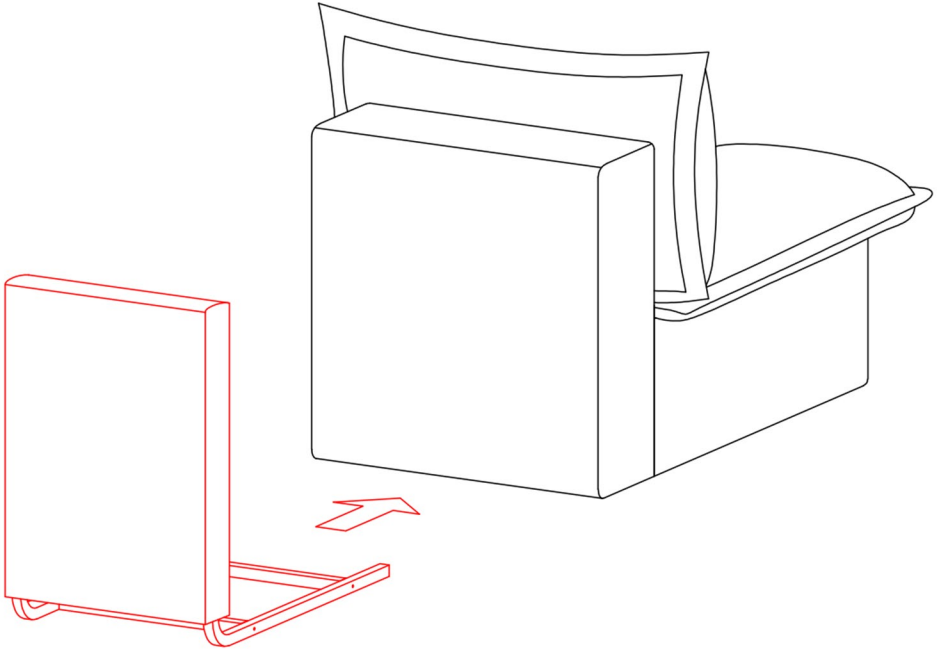
step 4

Put on the fabric cover (E) to the metal frame as shown.



step 5

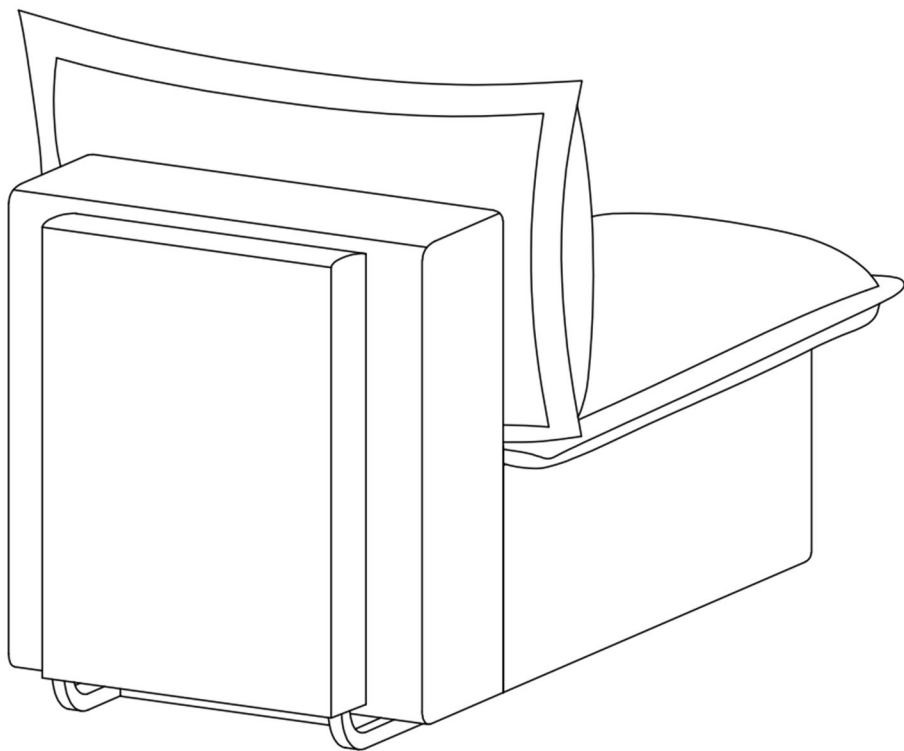
Place the metal frame behind the armless chair/side chair as shown, this metal frame is for supporting use.



step 6

Clean up the mess and start enjoying it. congratulation! you have completed the assembly, now it's all yours.

Thank you for reading!



step 7

Each carton includes a piece of felt fabric. Attach it to the Velcro strips at the bottom of the sofa to connect the individual modules together. If you are using a single sofa module and do not need to combine multiple pieces, this felt fabric is not required.

